



US00D816255S

(12) **United States Design Patent**  
**Torres Torres et al.**

(10) **Patent No.:** **US D816,255 S**  
(45) **Date of Patent:** **\*\* Apr. 24, 2018**

(54) **OUTDOOR LUMINAIRE**

(71) Applicant: **LANDSCAPE FORMS, INC.**,  
Kalamazoo, MI (US)

(72) Inventors: **Rodrigo Andres Torres Torres**,  
Chia-Cundinamarca (CO); **Efrain E. Velez**,  
Kalamazoo, MI (US)

(73) Assignee: **LANDSCAPE FORMS, INC.**,  
Kalamazoo, MI (US)

(\*\*) Term: **15 Years**

(21) Appl. No.: **29/576,751**

(22) Filed: **Sep. 7, 2016**

(51) **LOC (11) Cl.** ..... **26-05**

(52) **U.S. Cl.**  
USPC ..... **D26/71; D26/69**

(58) **Field of Classification Search**  
USPC ..... **D26/63, 67-72, 87, 92, 118**

(Continued)

(56) **References Cited**

**U.S. PATENT DOCUMENTS**

D186,547 S \* 11/1959 Burton ..... D26/69  
D195,094 S \* 4/1963 Hiskey ..... D26/71  
(Continued)

**OTHER PUBLICATIONS**

Rama street lamp, manufactured by Santa & Cole, designed by Gonzalo Mila, printout found online on Aug. 25, 2016 at: <http://www.santacole.com/en/catalogo/farolas/ramaled/>, Aug. 25, 2016, 1 page.

(Continued)

*Primary Examiner* — Clare E Heflin

(74) *Attorney, Agent, or Firm* — Heslin Rothenberg Farley & Mesiti P.C.

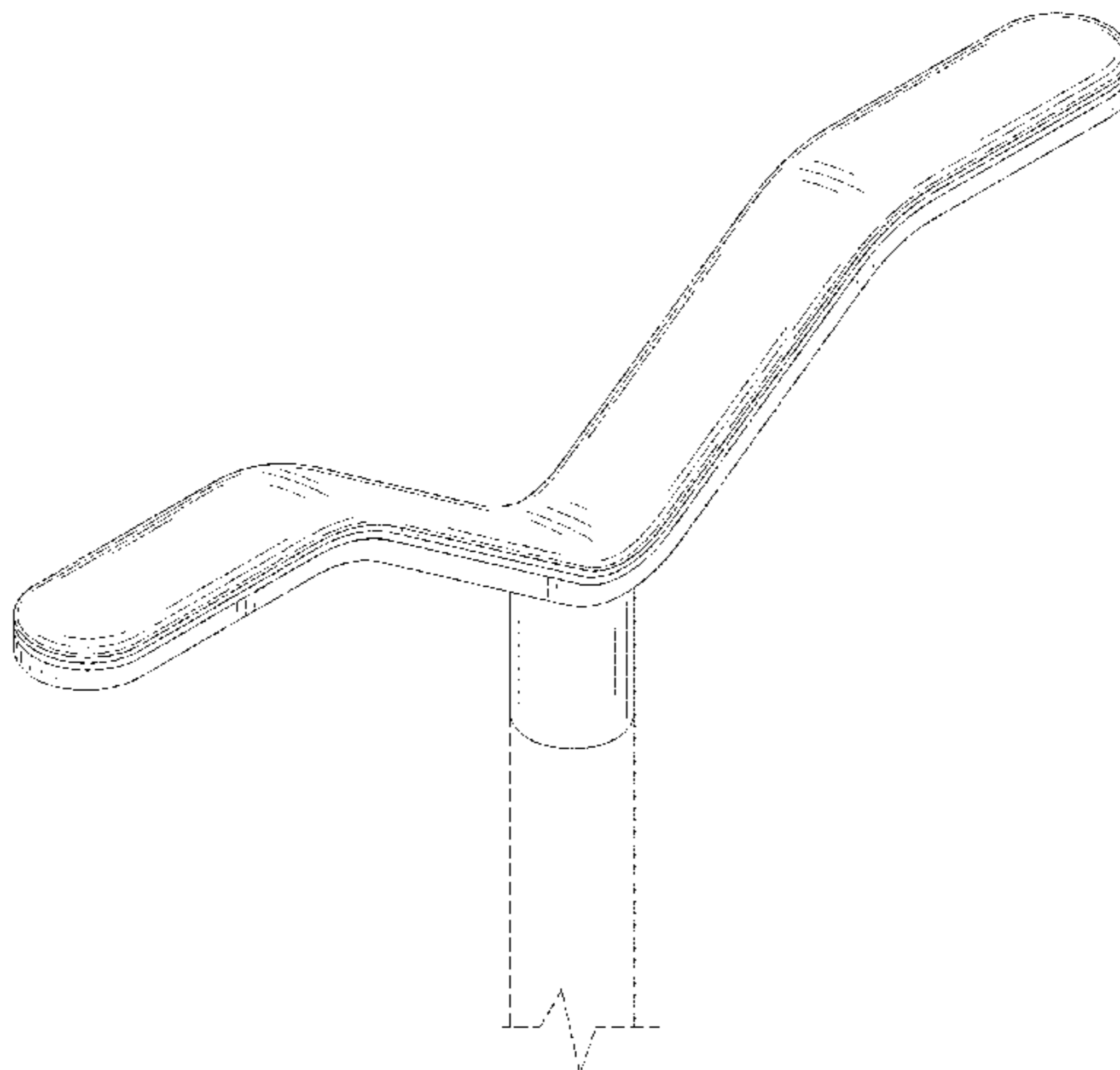
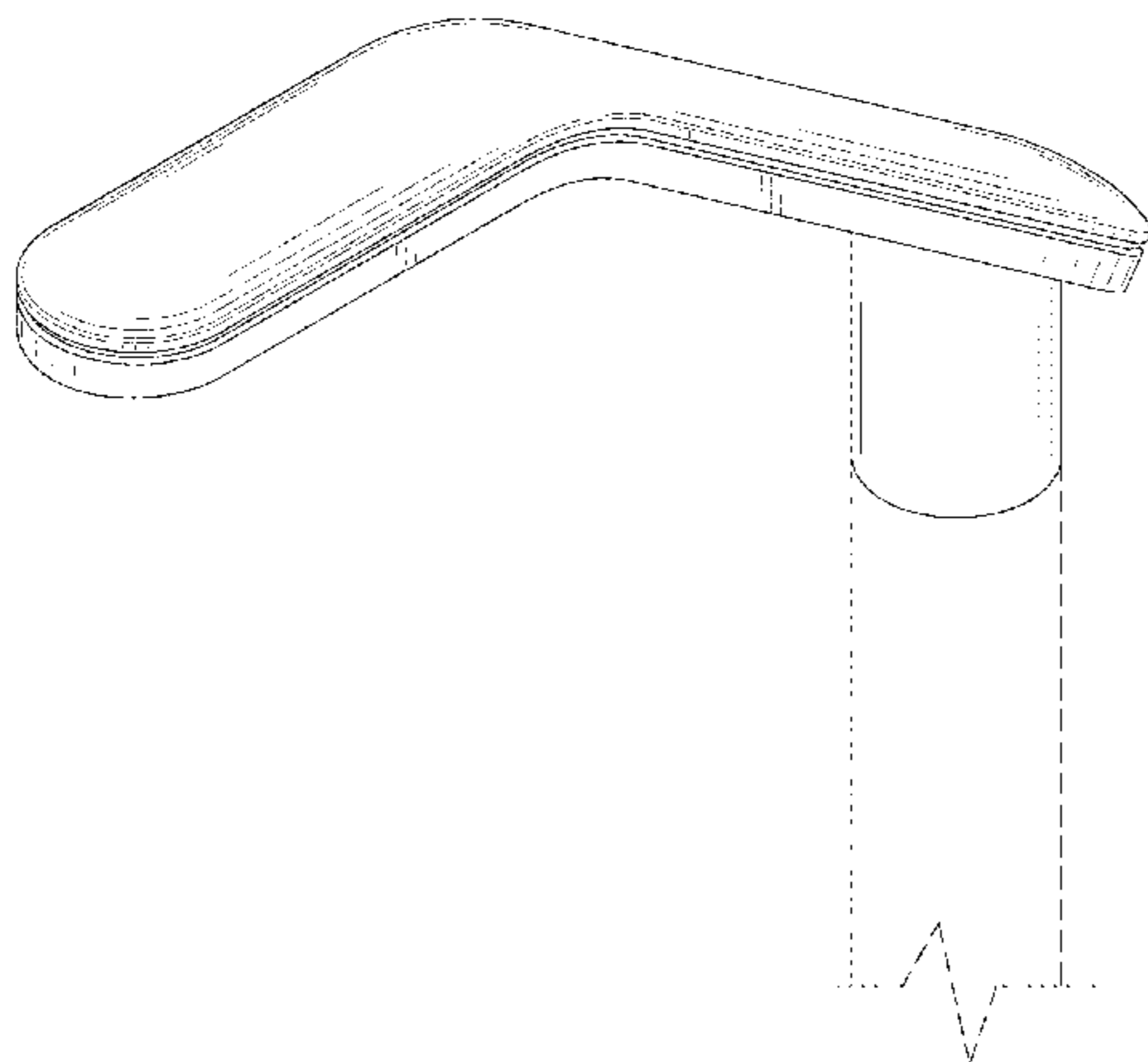
(57) **CLAIM**

The ornamental design for an outdoor luminaire, as shown and described.

**DESCRIPTION**

FIG. 1 is a perspective view of a first embodiment of the outdoor luminaire of the present design; FIG. 2 is a front elevation view thereof; FIG. 3 is a rear elevation view thereof; FIG. 4 is a right side elevation view thereof, the left side elevation view being a mirror image thereof; FIG. 5 is top plan view thereof; FIG. 6 is a bottom plan view thereof; FIG. 7 is a perspective view of a second embodiment of the outdoor luminaire of the present design; FIG. 8 is a front elevation view thereof; FIG. 9 is a rear elevation view thereof; FIG. 10 is a right side elevation view thereof; the left side elevation view being a mirror image thereof; FIG. 11 is a top plan view; FIG. 12 is a bottom plan view; FIG. 13 is a right side elevation view of a third embodiment of the outdoor luminaire of the present design, the left side elevation view being identical thereto; FIG. 14 is a front elevation view thereof; the rear elevation view being identical thereto; FIG. 15 is top plan view thereof; FIG. 16 is a bottom plan view thereof; FIG. 17 is a perspective view thereof; FIG. 18 is a right side elevation view of a fourth embodiment of the outdoor luminaire of the present design, the left side elevation view being identical thereto; FIG. 19 is a front elevation view thereof; the rear elevation view being identical thereto; FIG. 20 is a top plan view thereof; FIG. 21 is a bottom plan view thereof; and, FIG. 22 is a perspective view thereof. The broken lines in the figures illustrate environmental structure or portions of the outdoor luminaire that are not claimed.

**1 Claim, 22 Drawing Sheets**



(58) **Field of Classification Search**

CPC .. F21S 8/085; F21S 8/086; F21S 8/068; F21S 9/03; F21S 9/037; F21W 2131/103; F21W 2131/107; F21W 2131/109

See application file for complete search history.

2006/0109667	A1*	5/2006	Flaherty .....	F21S 8/083 362/431
2014/0239717	A1*	8/2014	Prommel .....	H02J 7/355 307/18
2015/0145698	A1*	5/2015	Werner .....	F21S 8/086 340/928

(56)

**References Cited**

U.S. PATENT DOCUMENTS

D251,930	S *	5/1979	Didone .....	D26/107
D507,841	S *	7/2005	Mendelsohn .....	D26/63
D555,279	S *	11/2007	Schneider .....	D26/71
D600,847	S *	9/2009	Wung .....	D26/71
D620,171	S *	7/2010	Pauschitz .....	D26/71
D643,139	S *	8/2011	Sprengers .....	D26/68
D659,274	S *	5/2012	Valcarcel .....	D26/71
D676,997	S *	2/2013	Tang .....	D26/87
D687,176	S *	7/2013	Degn .....	D26/71
D700,730	S *	3/2014	Behar .....	D26/69
D717,987	S *	11/2014	Prommel .....	D26/70
D743,609	S *	11/2015	Verelst .....	D26/68
D772,464	S *	11/2016	Wu .....	D26/68
D795,484	S *	8/2017	Sonneman .....	D26/68
D797,343	S *	9/2017	Torres Torres .....	D26/68

OTHER PUBLICATIONS

LED garden and pathway luminaire, manufactured by Bega, printout found online on Aug. 25, 2016 at: <http://www.bega.de/en/products/led-garden-and-pathway-luminaires-77221/>, 1 page.

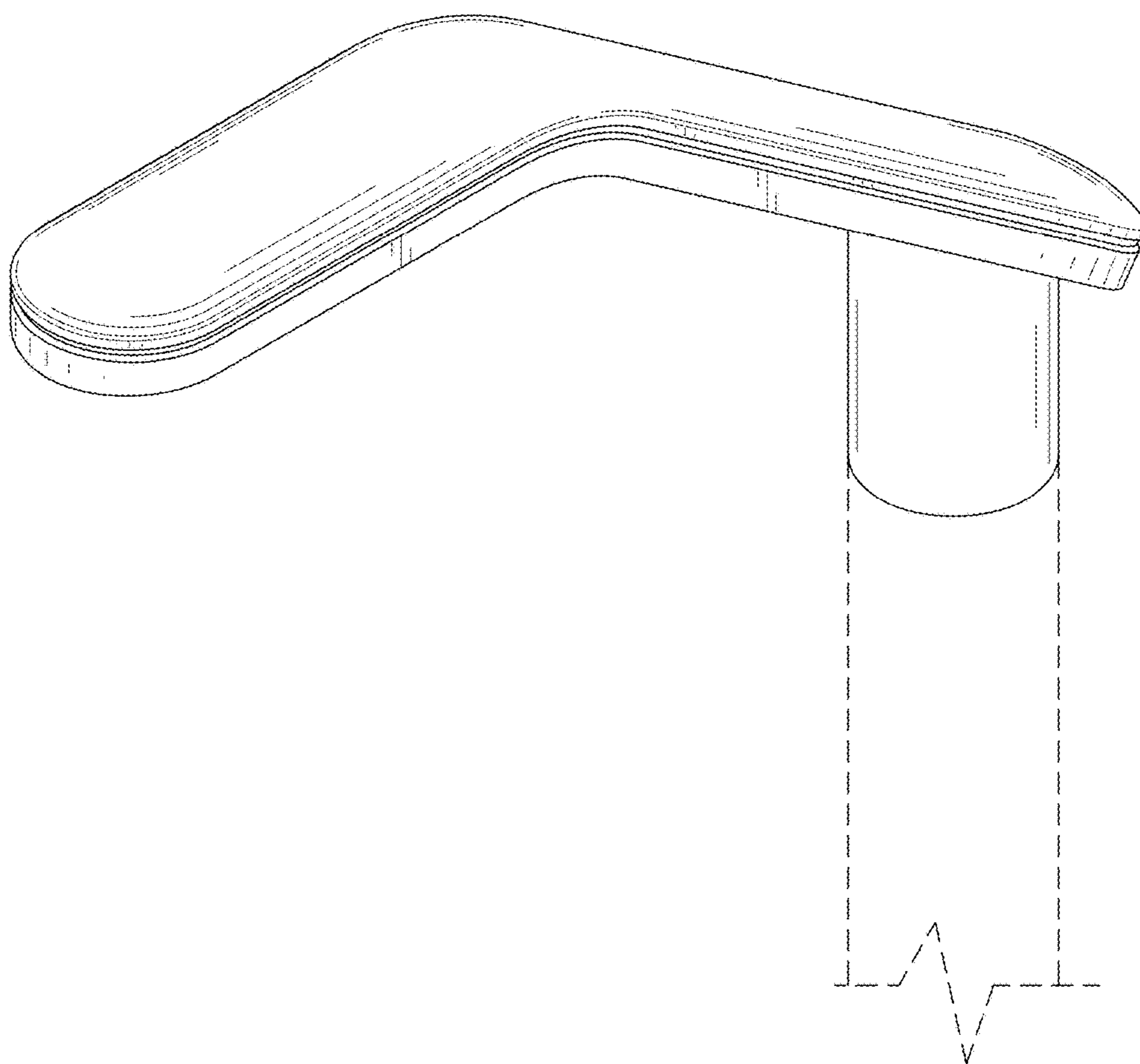
Go street light, manufactured by Ewo, printout found online on Aug. 25, 2016 at: <https://www.architonic.com/en/product/ewo-go/1299165>, 1 page.

FN street light, manufactured by Ewo, printout found online on Aug. 25, 2016 at: <https://www.architonic.com/en/product/ewo-fn/1103362>, 1 page.

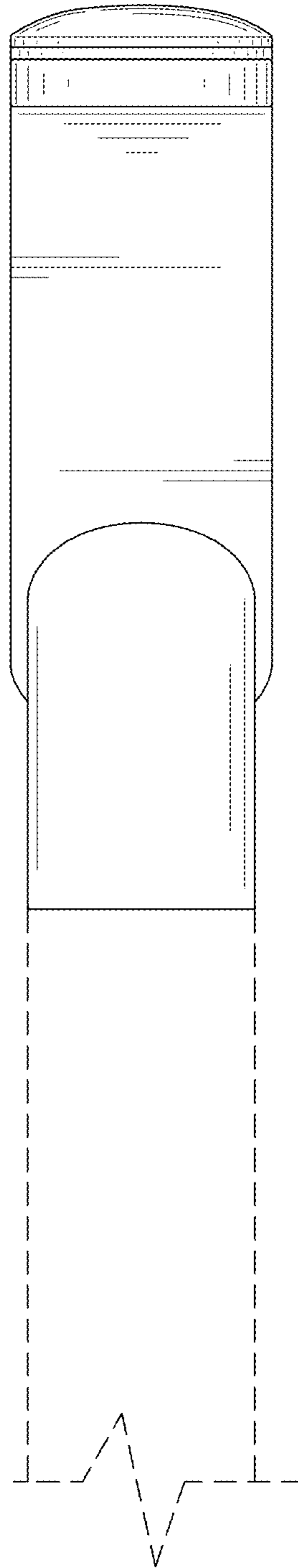
Promenade led mast light, manufactured by LEDS-C4, printout found online on Aug. 25, 2016 at: <https://www.architonic.com/en/product/leds-c4-promenade-led-mast-light/1094564>, 1 page.

Nagy street light, manufactured by Marset, designed by Joan Verdugo, printout available online on Aug. 25, 2016 at: <https://www.architonic.com/en/product/marset-nagy/1030569>, 1 page.

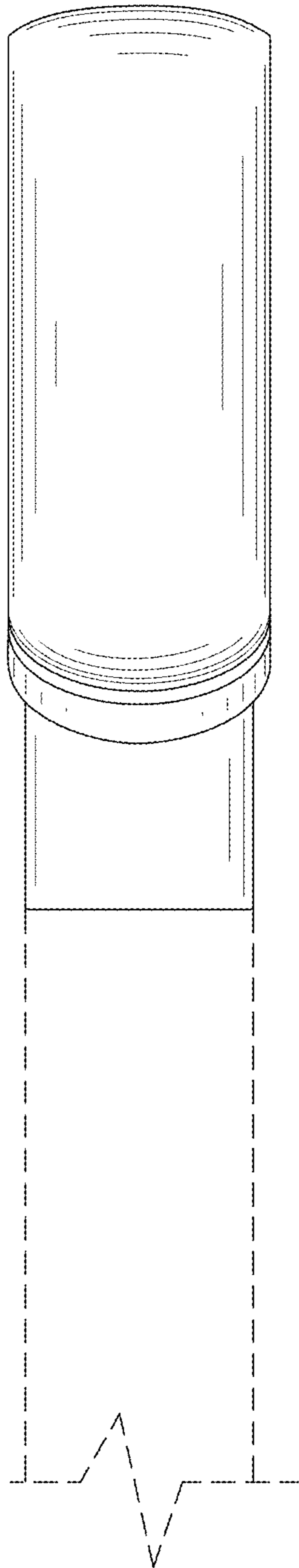
\* cited by examiner



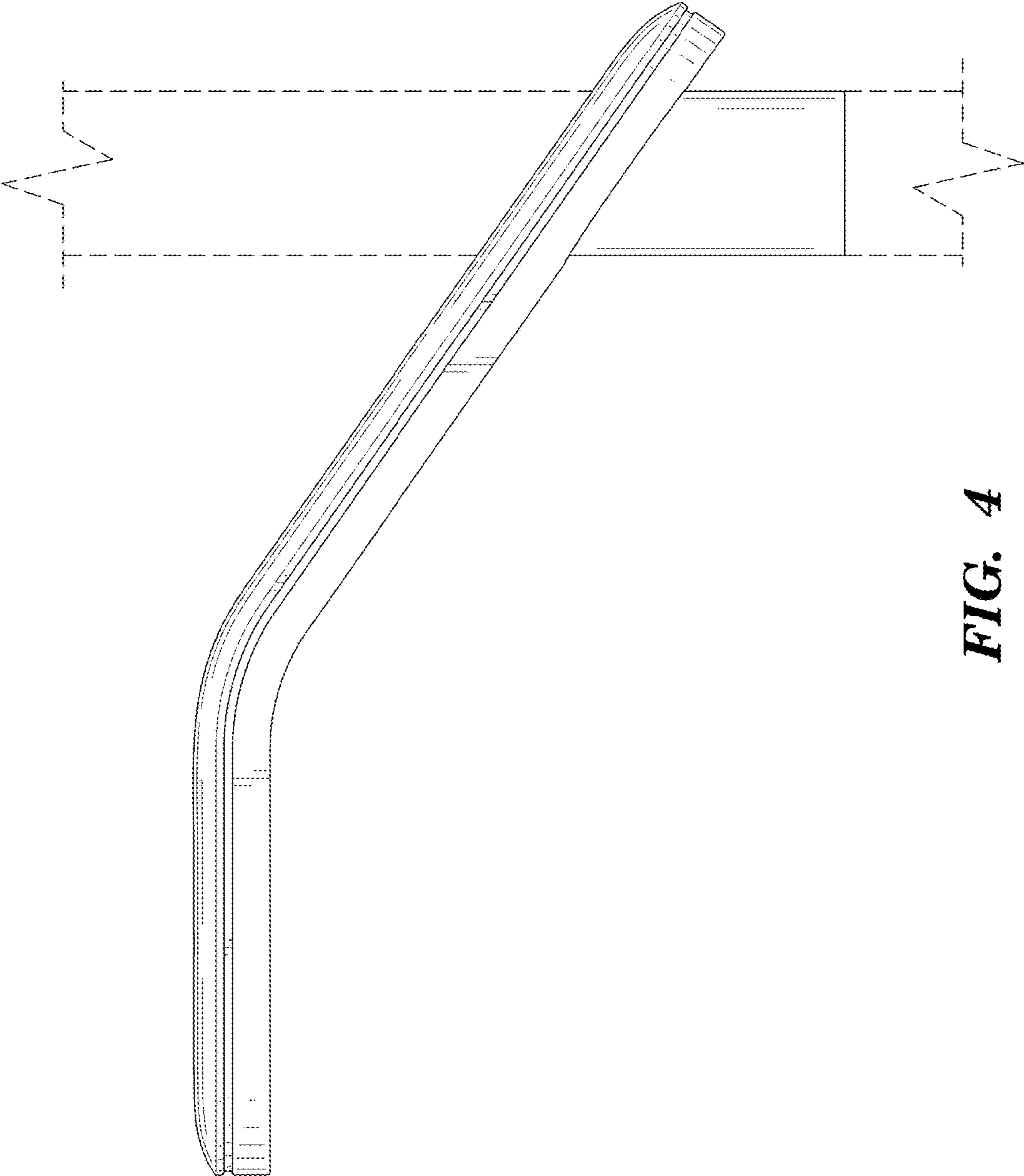
**FIG. 1**



**FIG. 2**

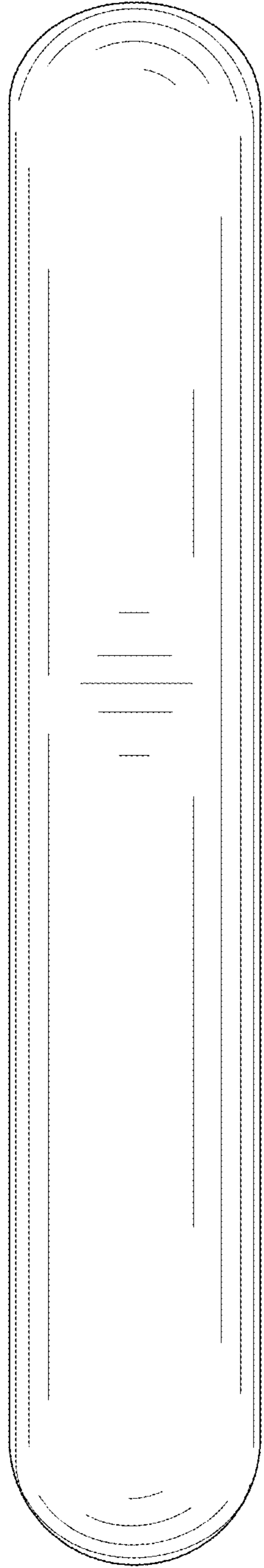


**FIG. 3**

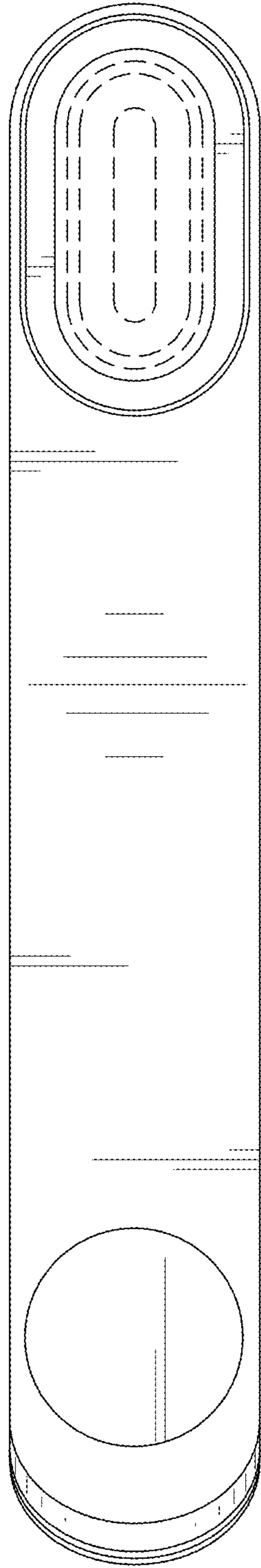


**FIG. 4**



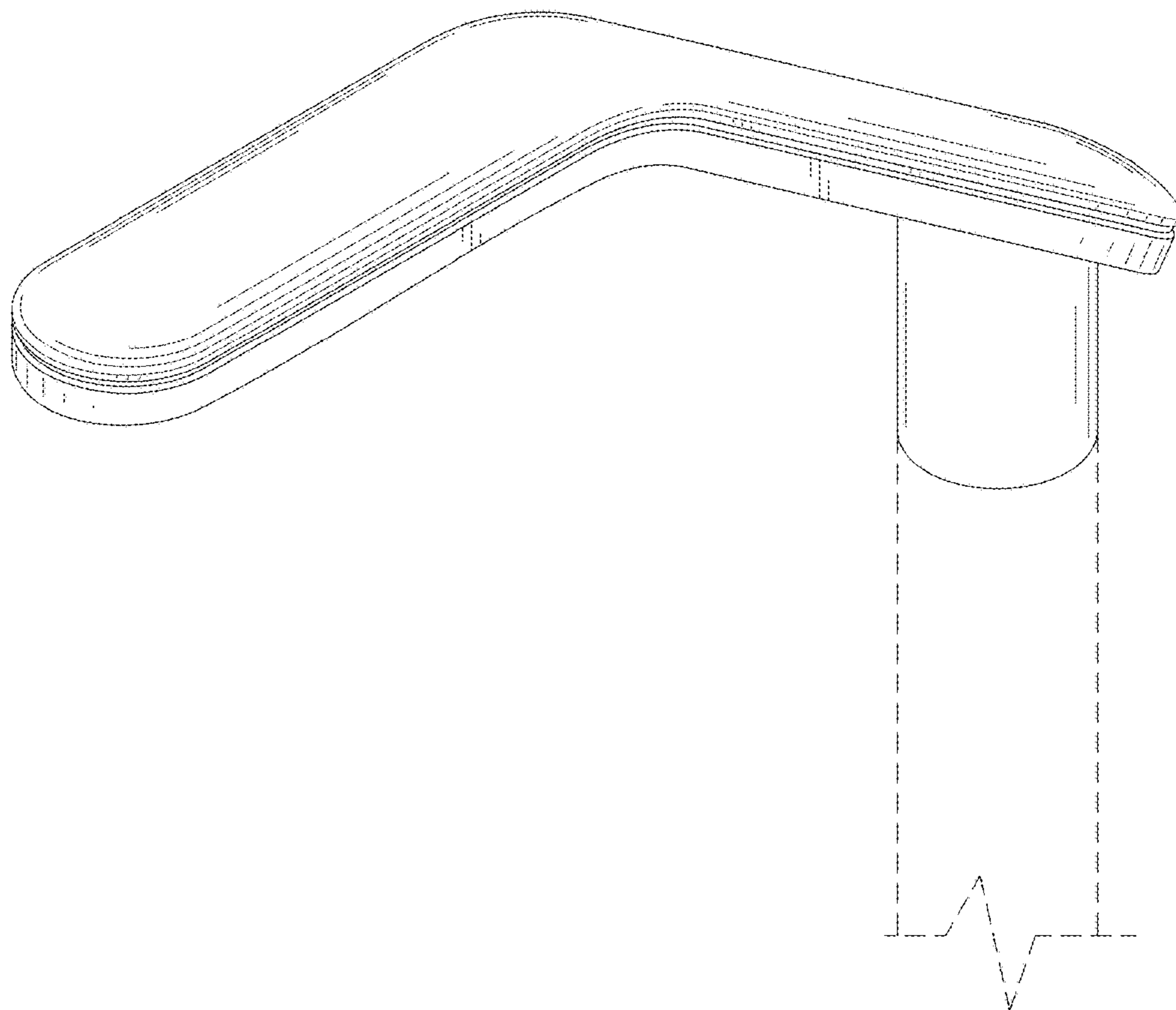


**FIG. 5**

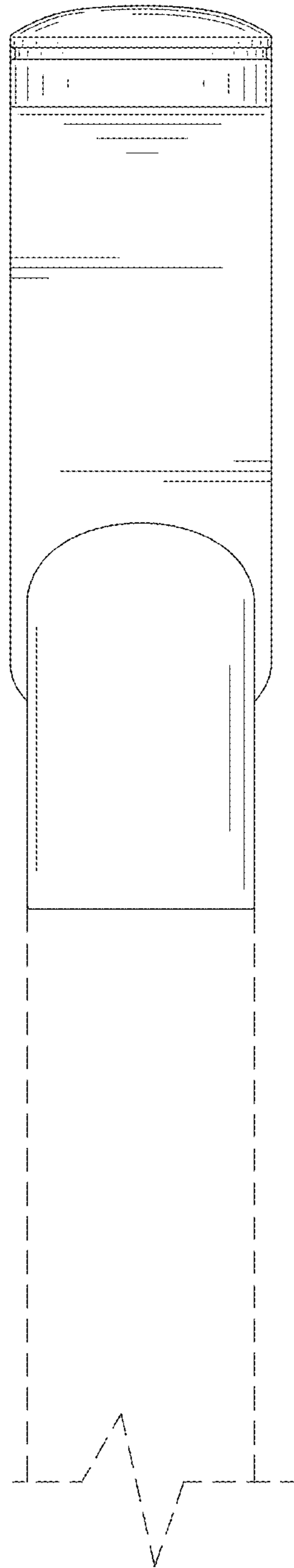


**FIG. 6**

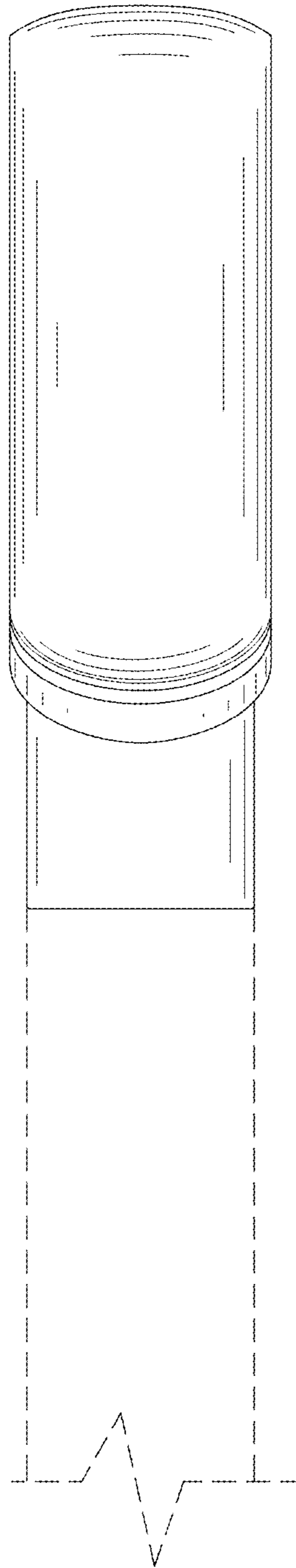




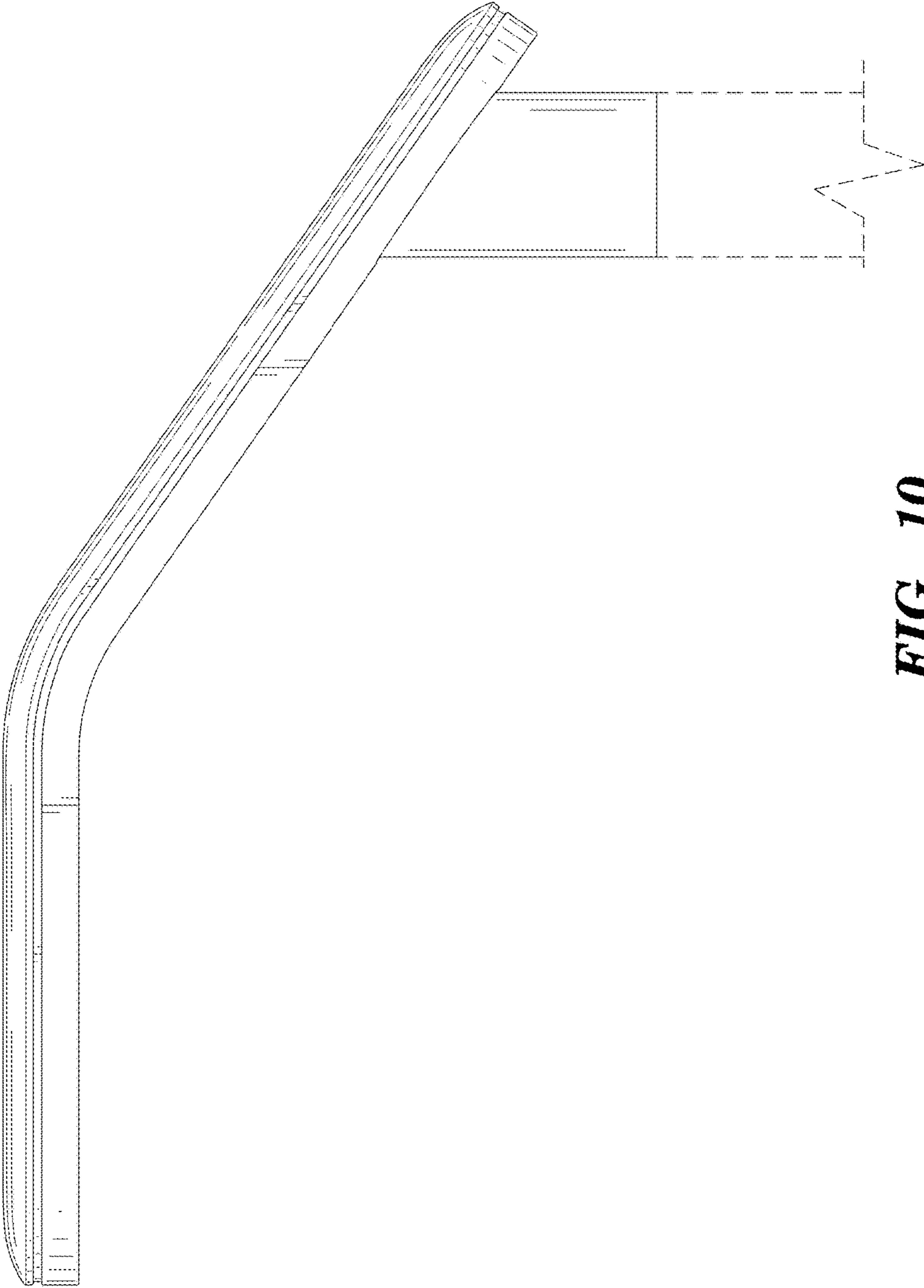
**FIG. 7**



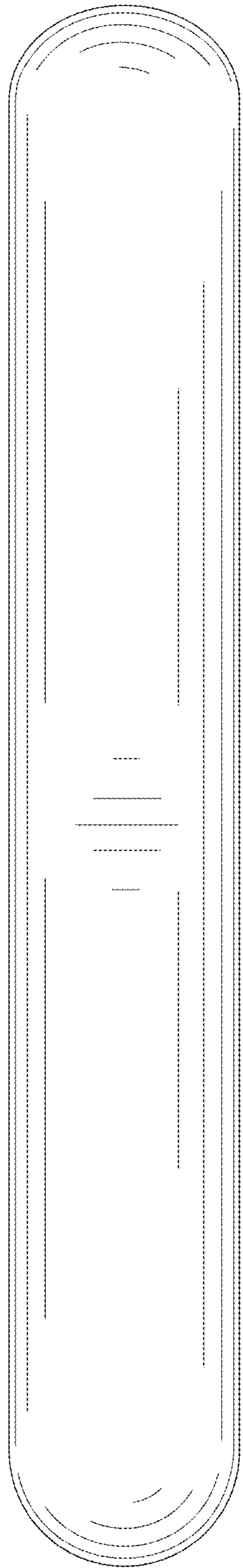
**FIG. 8**



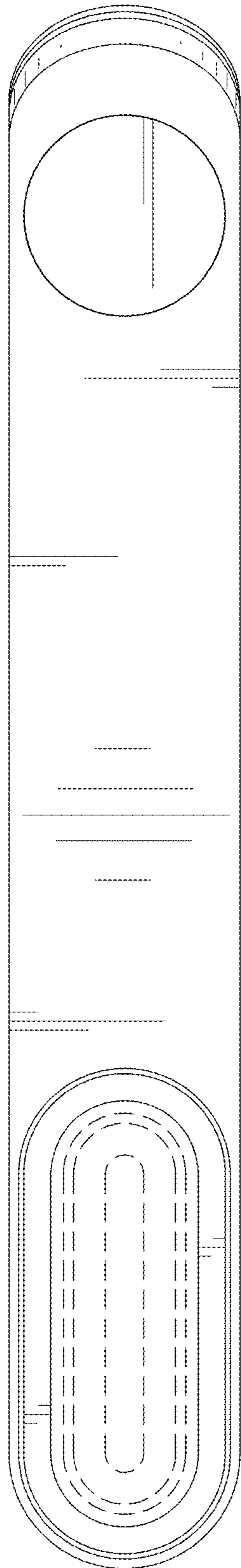
**FIG. 9**



**FIG. 10**

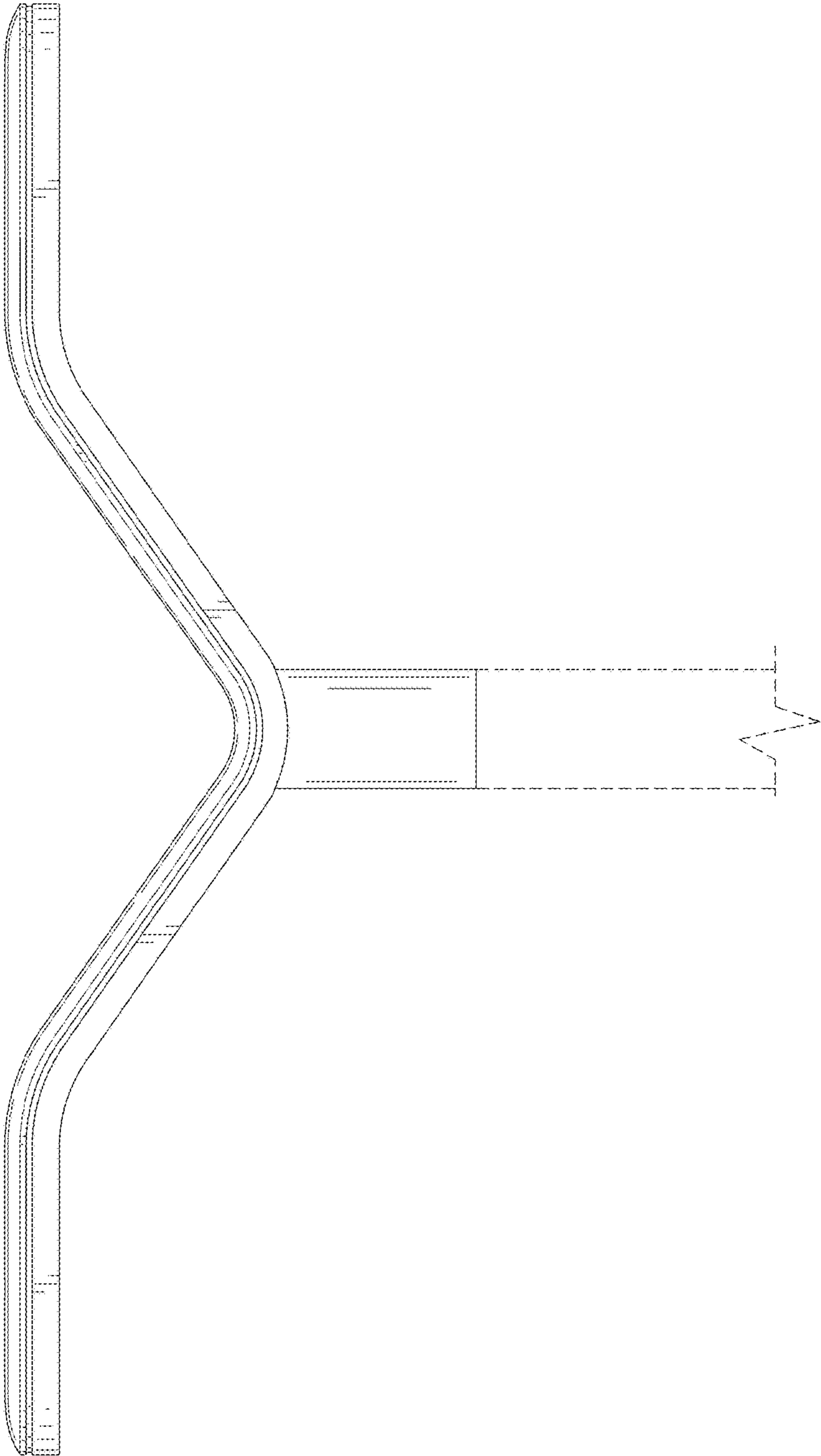


**FIG. 11**

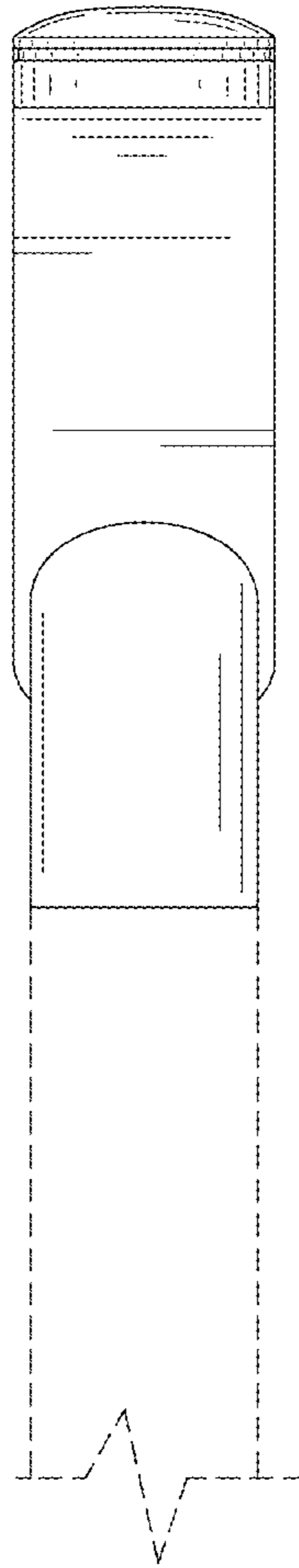


**FIG. 12**

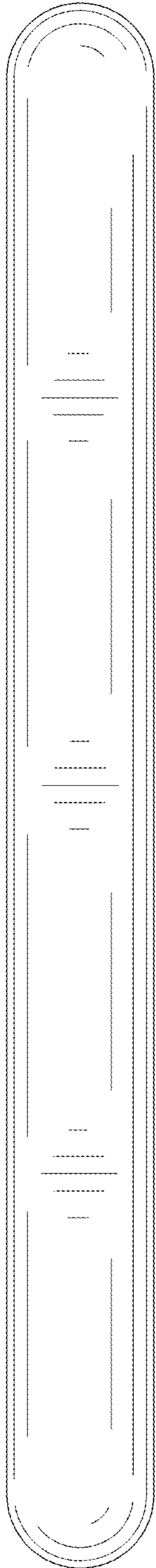




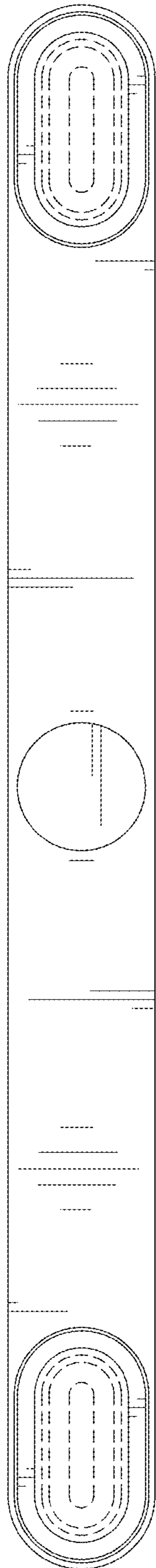
**FIG. 13**



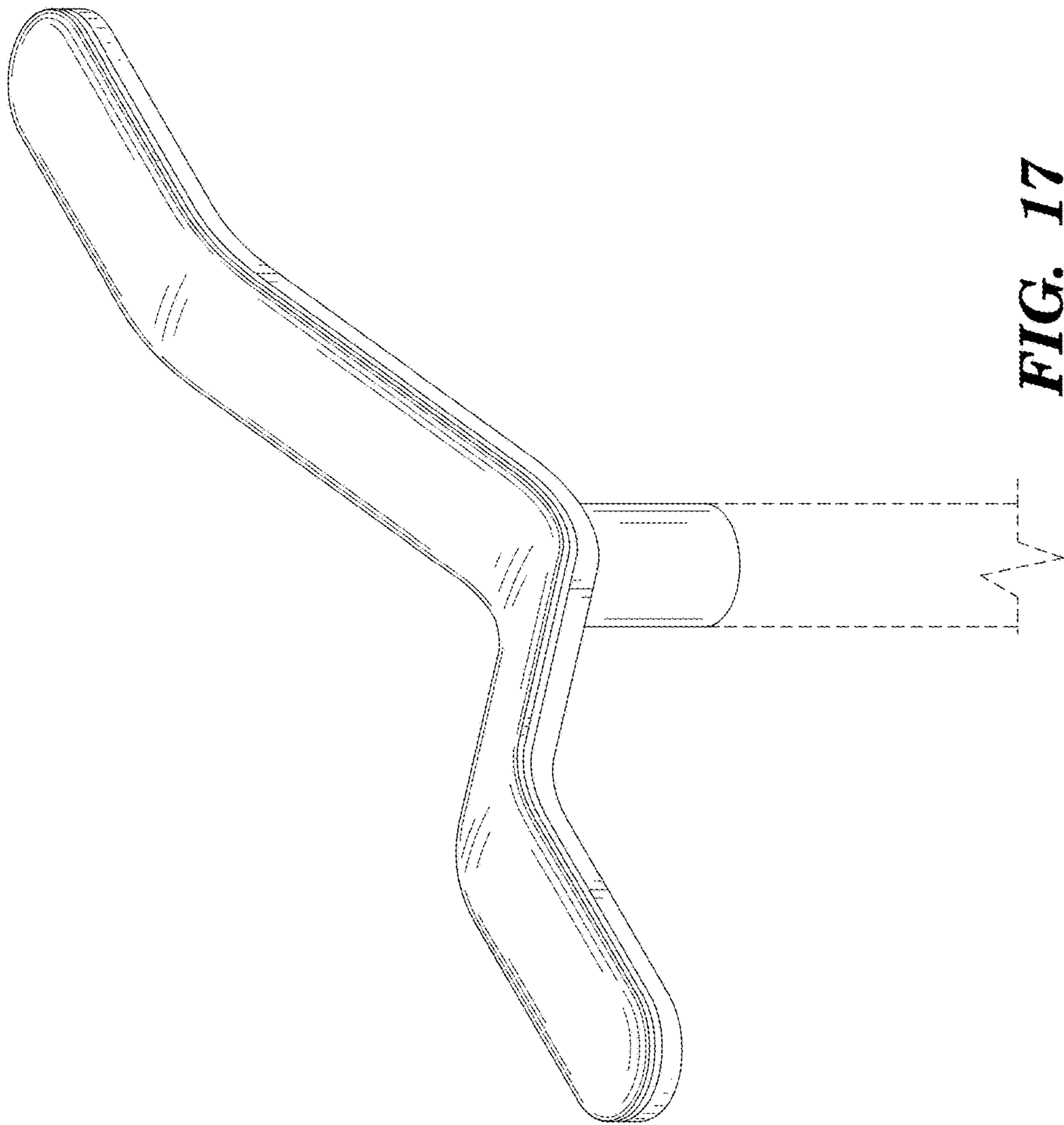
***FIG. 14***



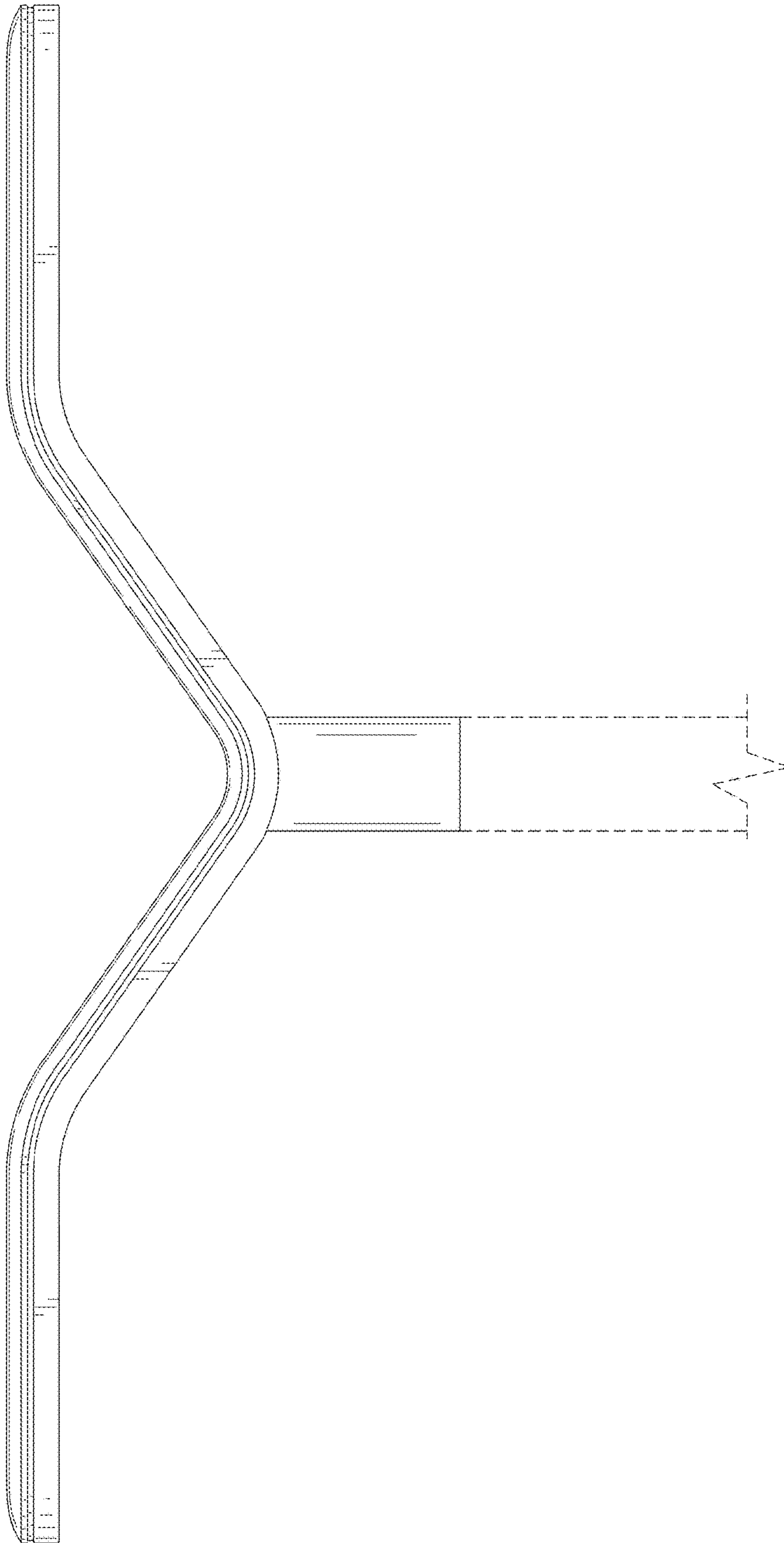
**FIG. 15**



**FIG. 16**

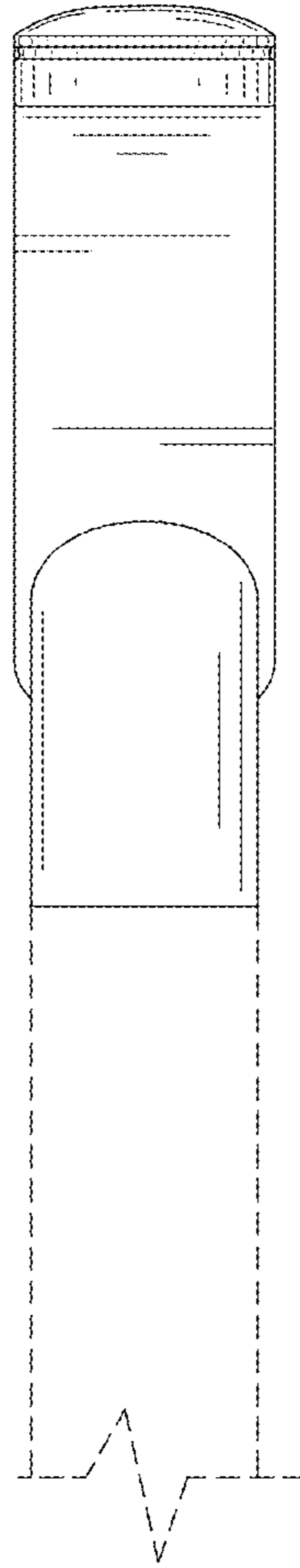


**FIG. 17**

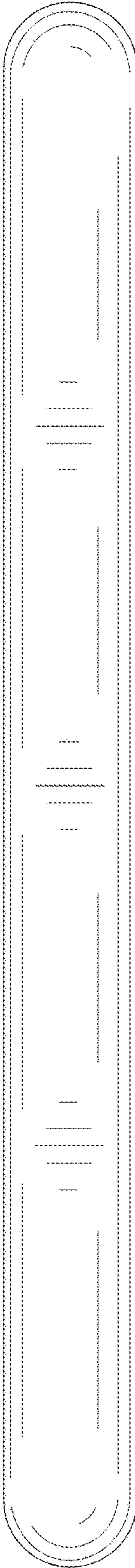


**FIG. 18**

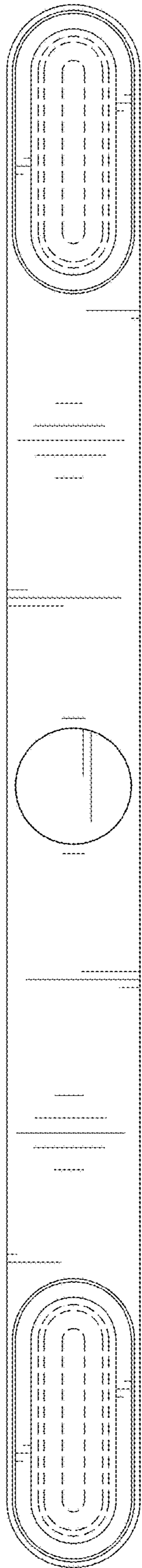




***FIG. 19***



**FIG. 20**



**FIG. 21**

