



US00D816254S

(12) **United States Design Patent**
Zhang

(10) **Patent No.:** **US D816,254 S**

(45) **Date of Patent:** **** Apr. 24, 2018**

(54) **SOLAR TORCH LIGHT**

(71) Applicant: **Shenzhen Yu Yuan Photovoltaic Technology Co., Ltd.**, Shenzhen, Guangdong (CN)

(72) Inventor: **Donglin Zhang**, Sichuan (CN)

(73) Assignee: **Shenzhen Yu Yuan Photovoltaic Technology Co., Ltd.**, Shenzhen (CN)

(**) Term: **15 Years**

(21) Appl. No.: **29/584,756**

(22) Filed: **Nov. 17, 2016**

(30) **Foreign Application Priority Data**

Aug. 10, 2016 (CN) 2016 3 0378334

(51) **LOC (11) Cl.** **26-05**

(52) **U.S. Cl.**
USPC **D26/68**

(58) **Field of Classification Search**
USPC D26/8, 67-70, 85, 142, 153, 154
CPC .. F21S 8/032; F21S 8/081; F21S 9/037; F21S 9/03; F21W 2131/109
See application file for complete search history.

(56) **References Cited**

U.S. PATENT DOCUMENTS

D198,639 S * 7/1964 Atkin et al. D26/67
D211,278 S * 6/1968 Bobrick D26/68
D226,778 S * 4/1973 Breed et al. D26/67
D252,894 S * 9/1979 Hazerjian D26/67

D477,682 S * 7/2003 Wang D26/67
D479,891 S * 9/2003 Yeh D26/67
D482,477 S * 11/2003 Wang D26/67
D483,509 S * 12/2003 Osiecki D26/67
D517,716 S * 3/2006 Bucher D26/67
D527,133 S * 8/2006 Hon D26/67
D541,967 S * 5/2007 Rahir D26/67
D541,968 S * 5/2007 Tortel D26/67
D556,933 S * 12/2007 Sanoner D26/68
D598,152 S * 8/2009 Tortel D26/68
D615,683 S * 5/2010 Chen D26/68
D615,684 S * 5/2010 Chen D26/68

* cited by examiner

Primary Examiner — Clare E Hefflin

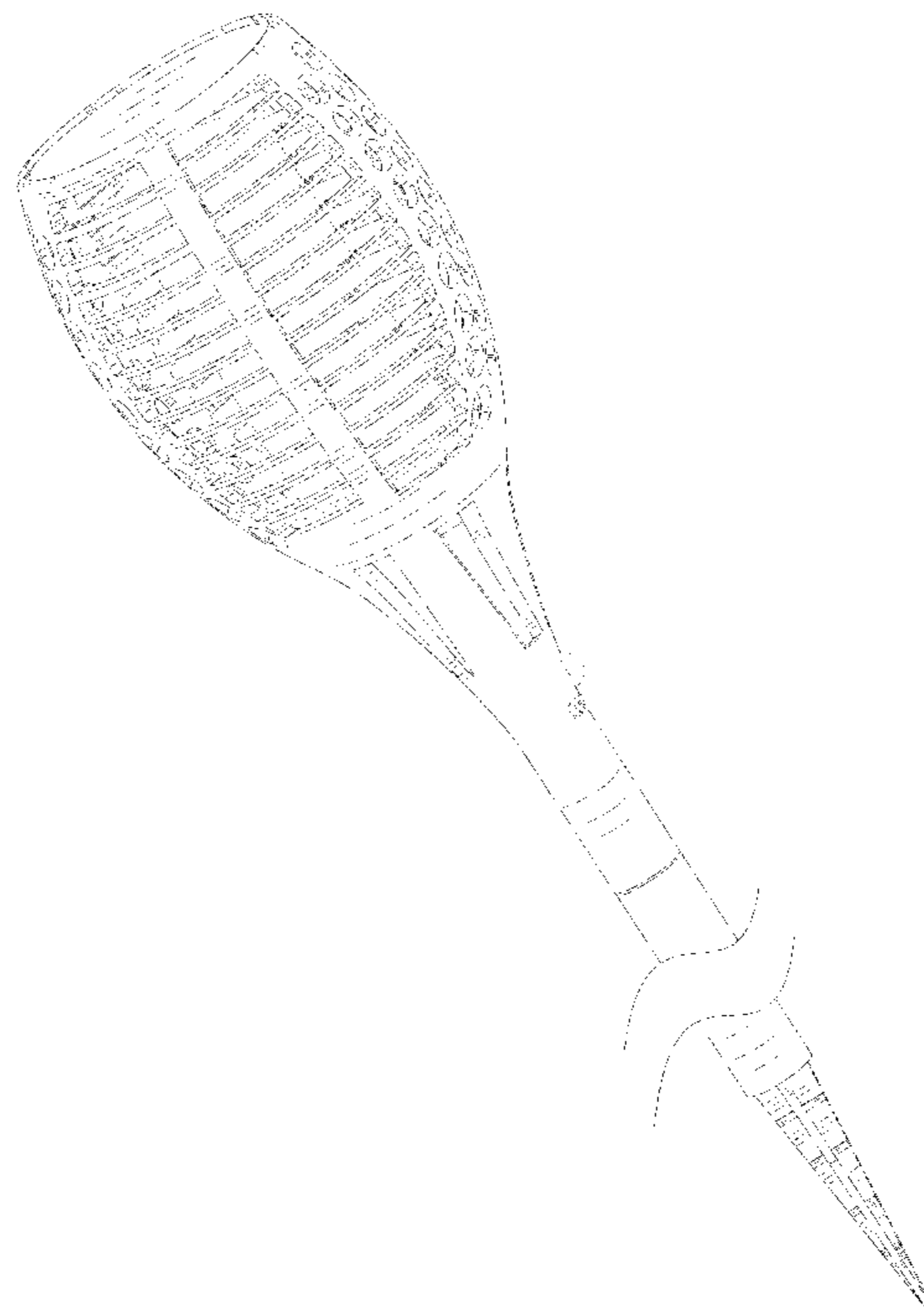
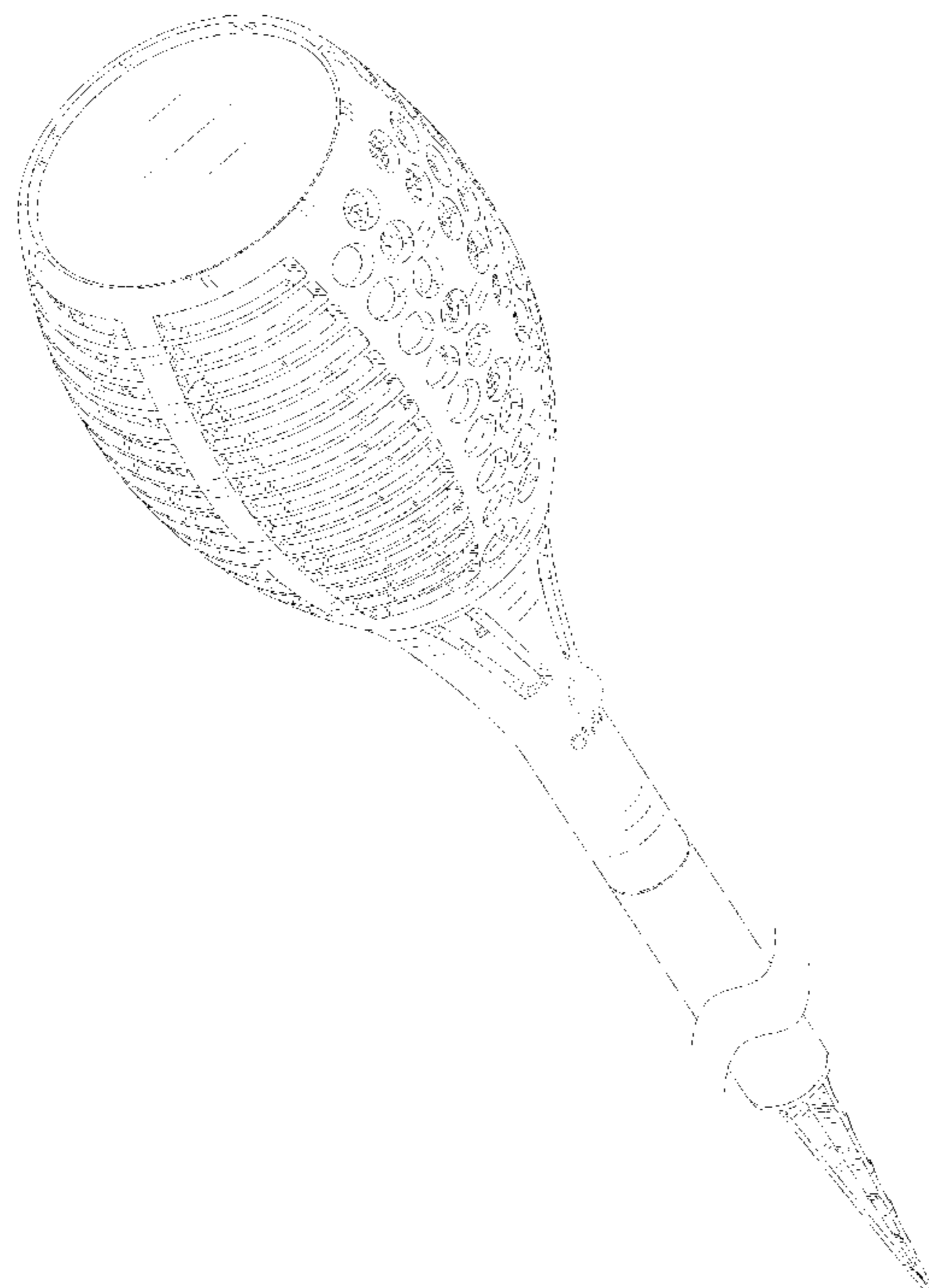
(57) **CLAIM**

The ornamental design for a solar torch light, as shown and described.

DESCRIPTION

FIG. 1 is a front elevational view of a solar torch light showing my new design;
FIG. 2 is a rear elevational view thereof;
FIG. 3 is a left side view thereof;
FIG. 4 is a right side view thereof;
FIG. 5 is a top plan view thereof;
FIG. 6 is a bottom plan view thereof;
FIG. 7 is a first perspective view thereof; and,
FIG. 8 is a second perspective view thereof.
The symbolic break in the drawings indicates the appearance of any portion of the article between the break lines forms no part of the claimed design.
The broken lines in the drawings illustrate portions of the solar torch light which form no part of the claimed design.

1 Claim, 8 Drawing Sheets



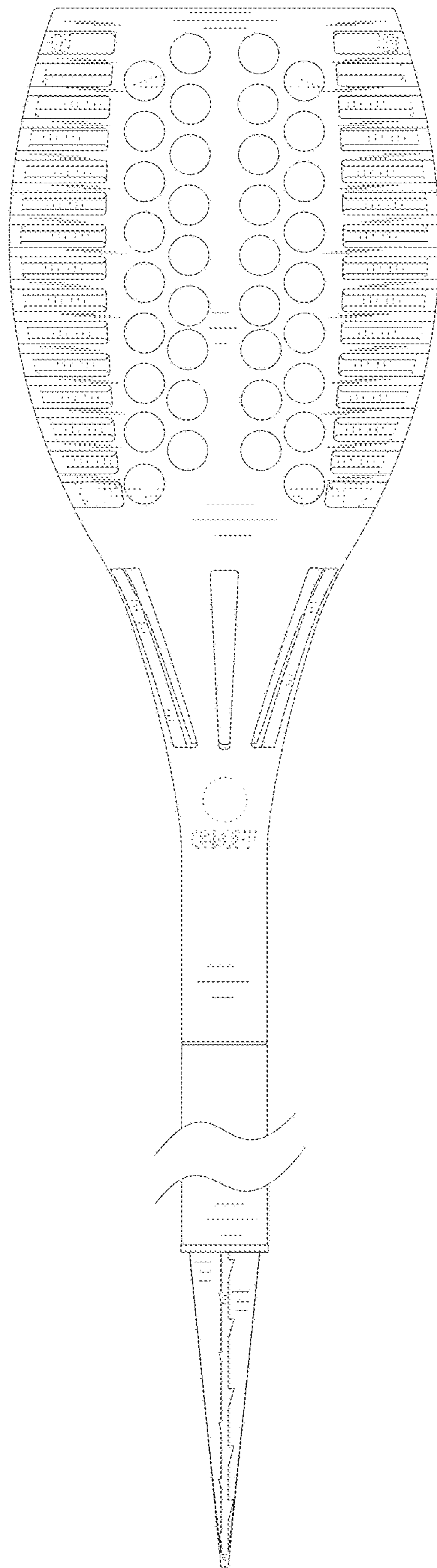


Fig. 1

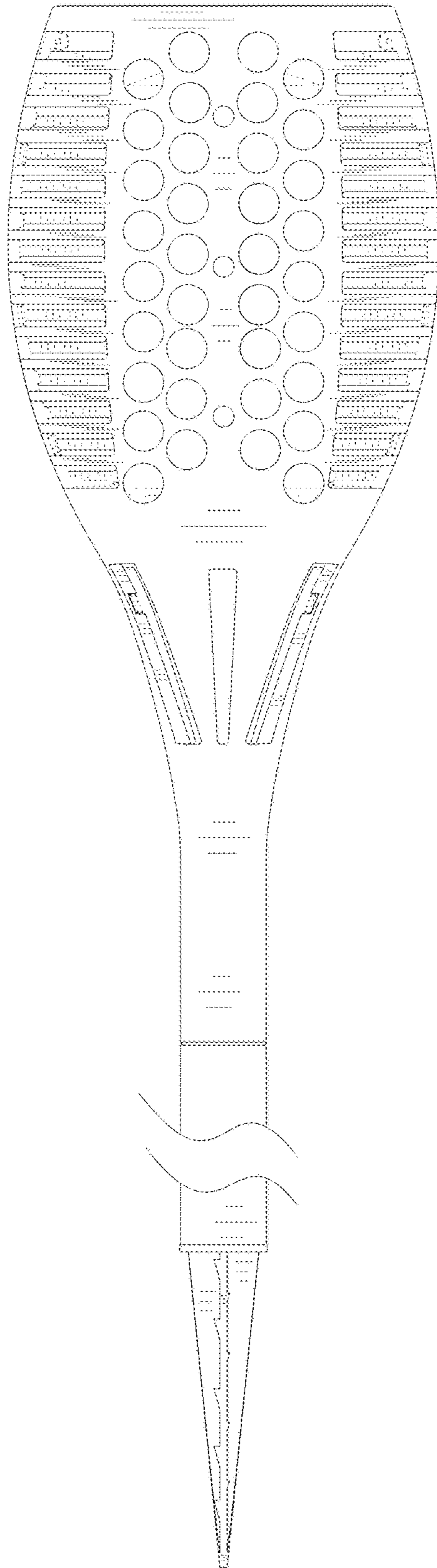


Fig. 2

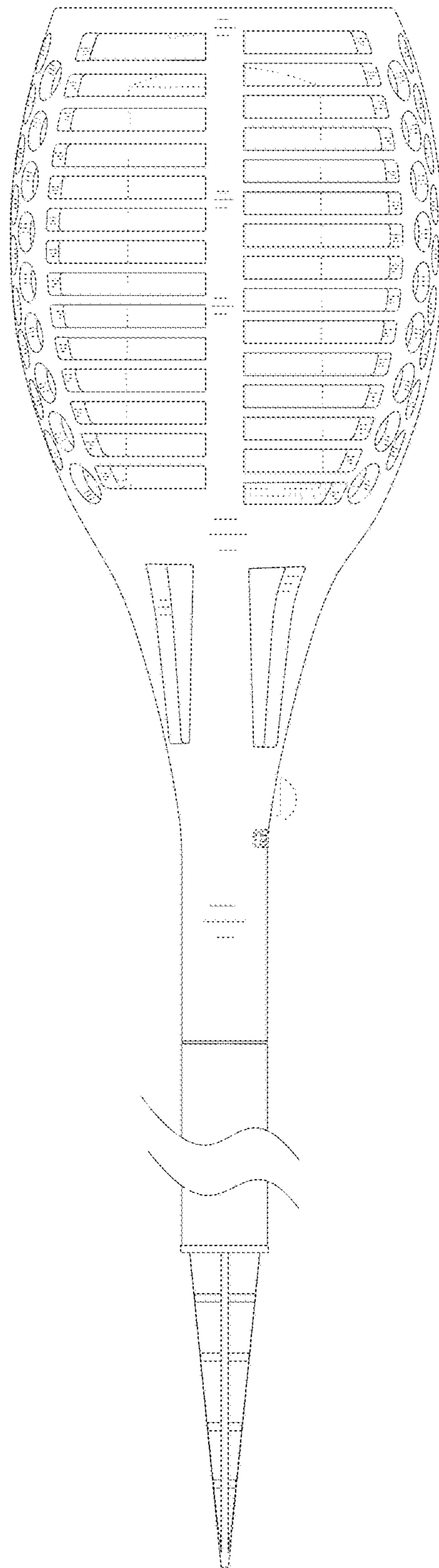


Fig. 3

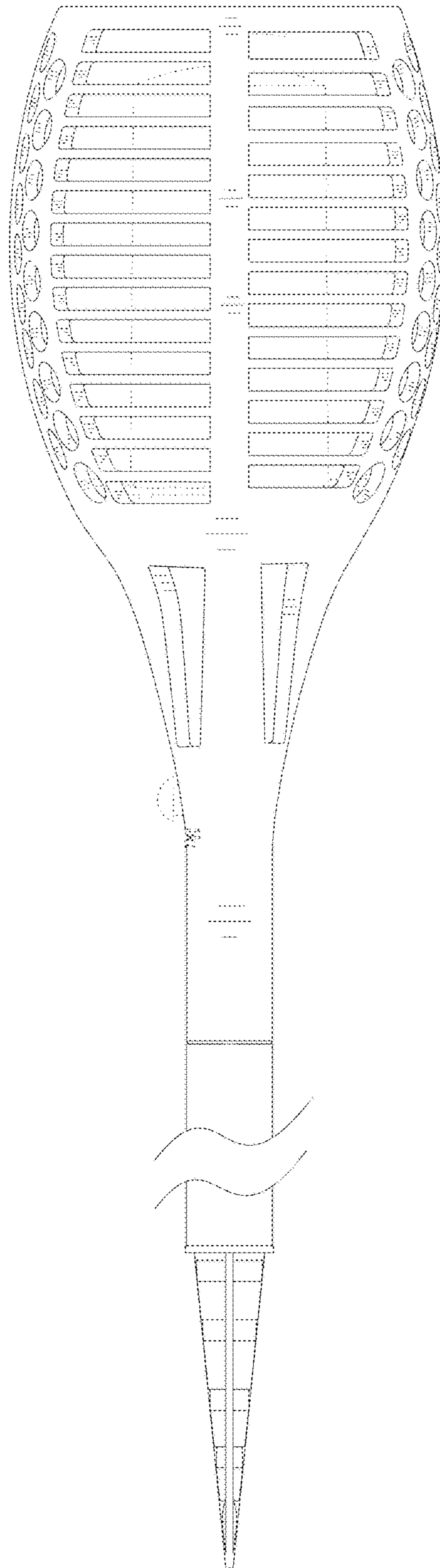


Fig. 4

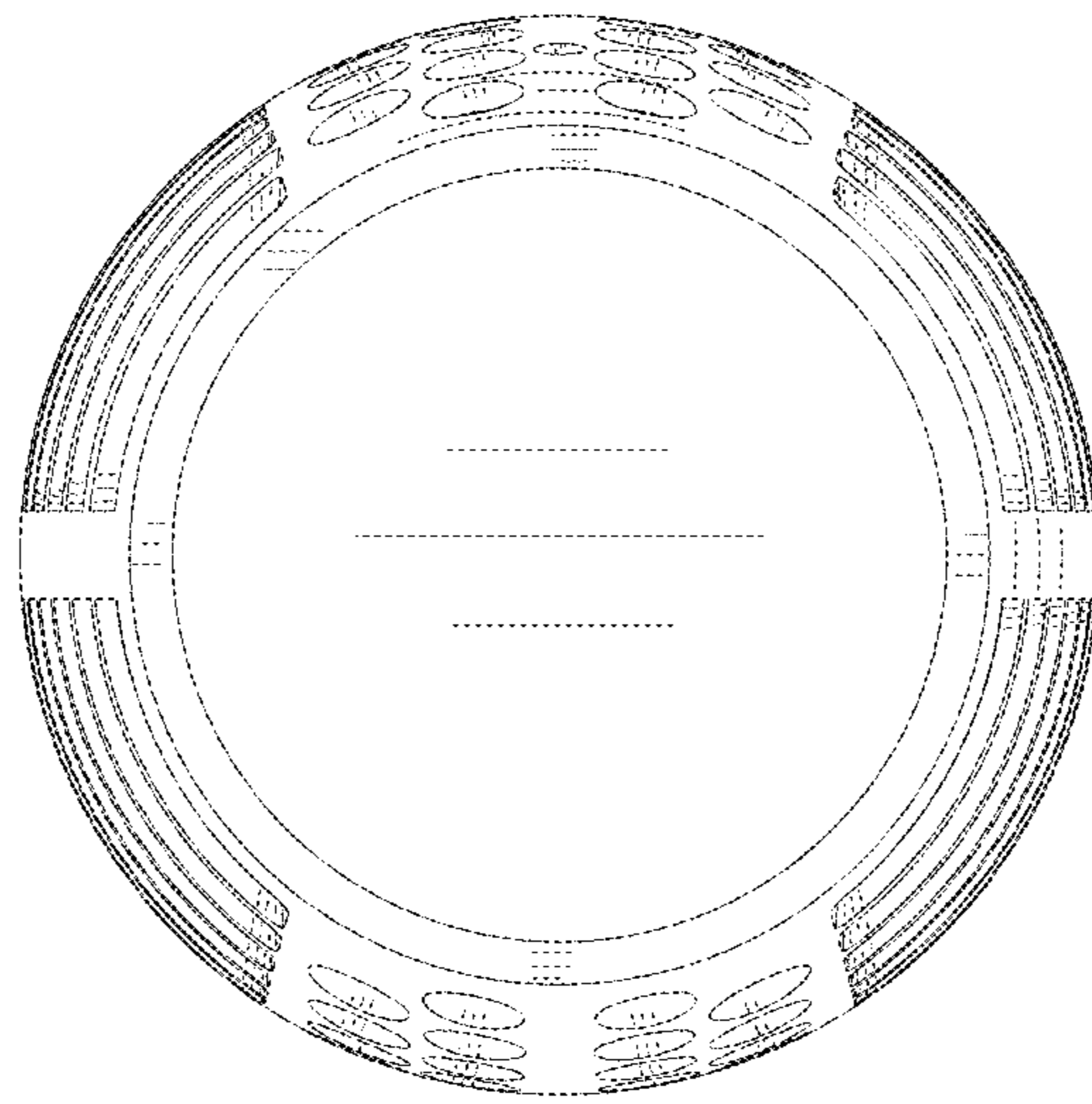


Fig. 5

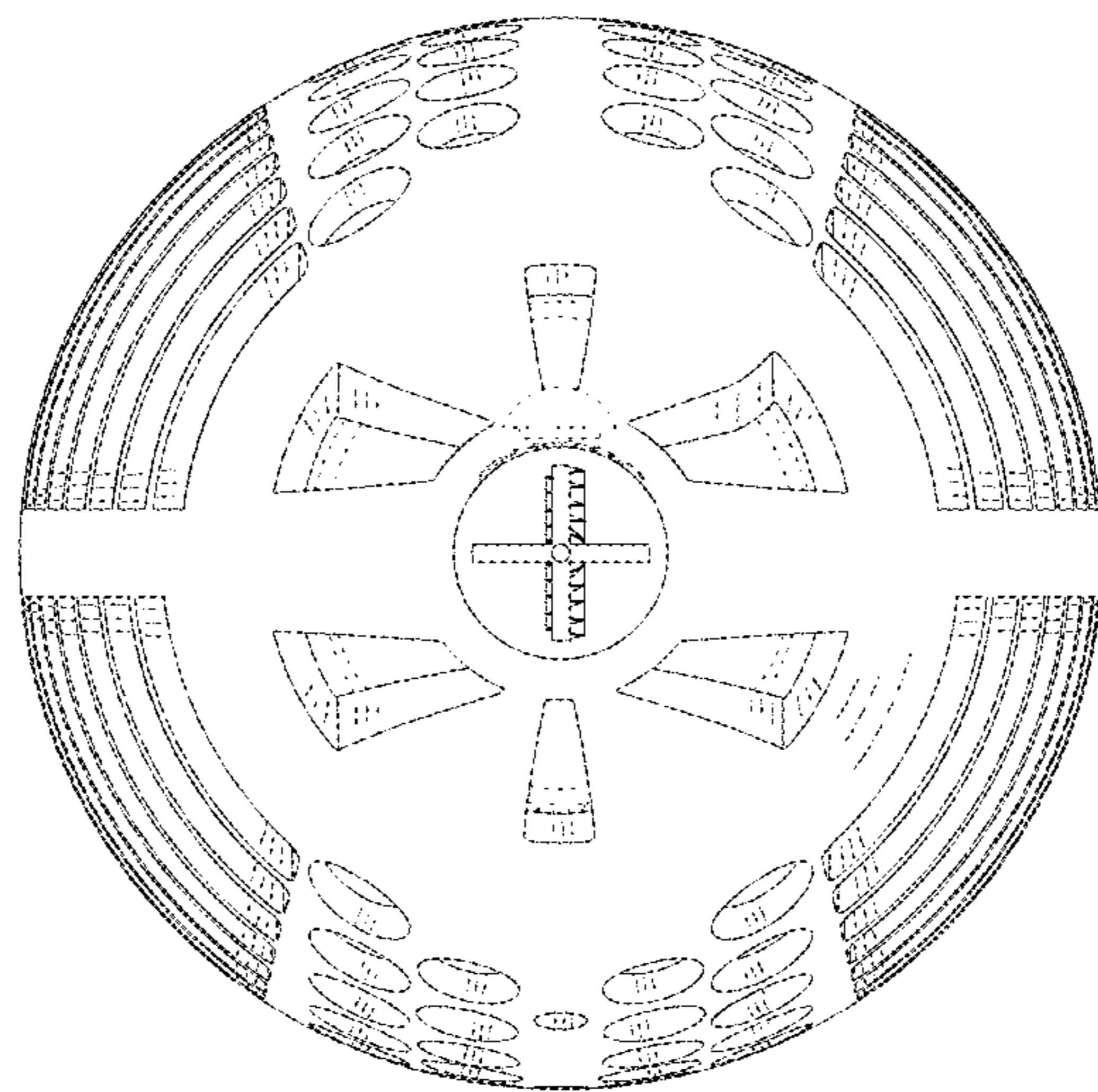


Fig. 6

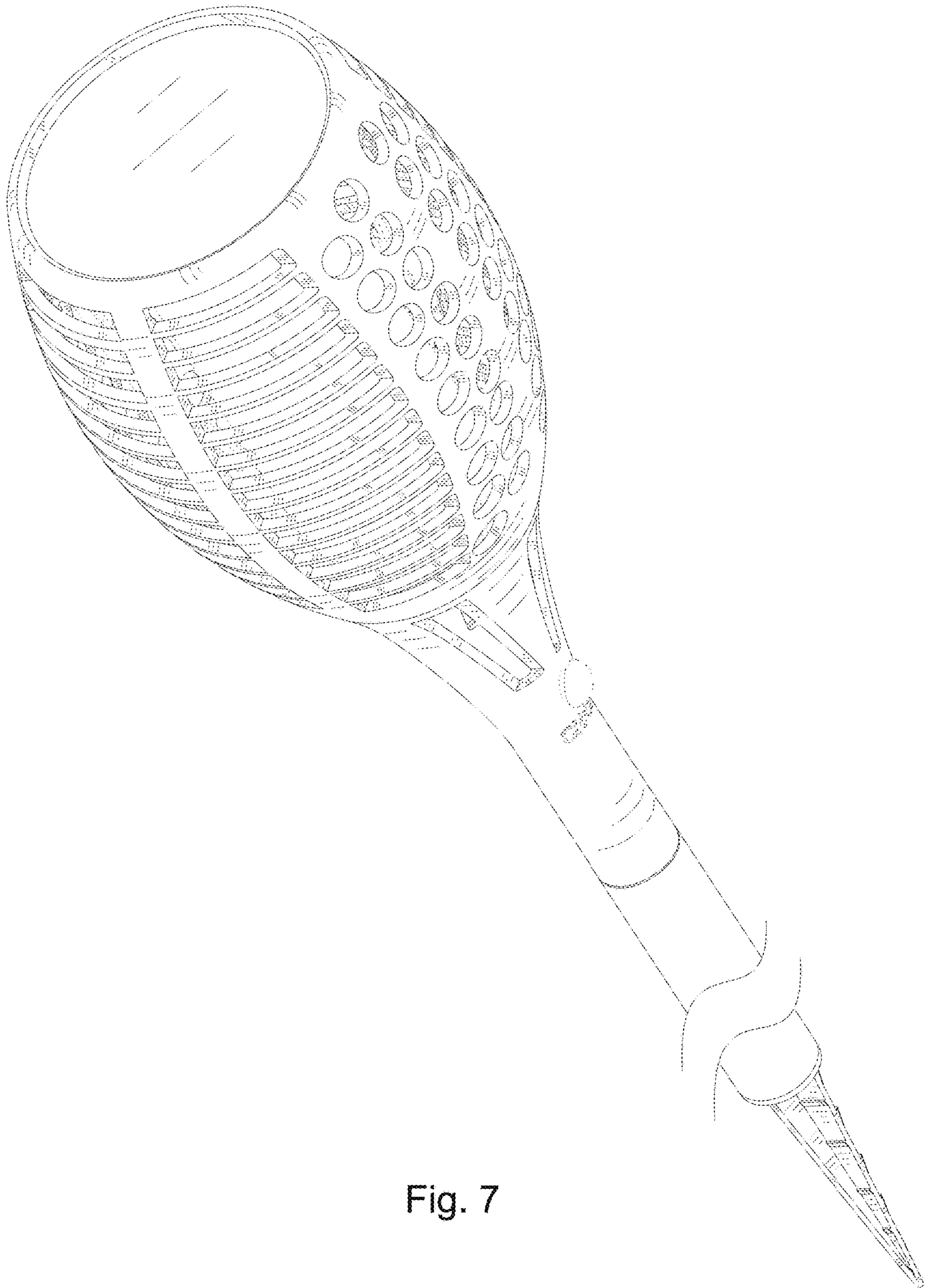


Fig. 7

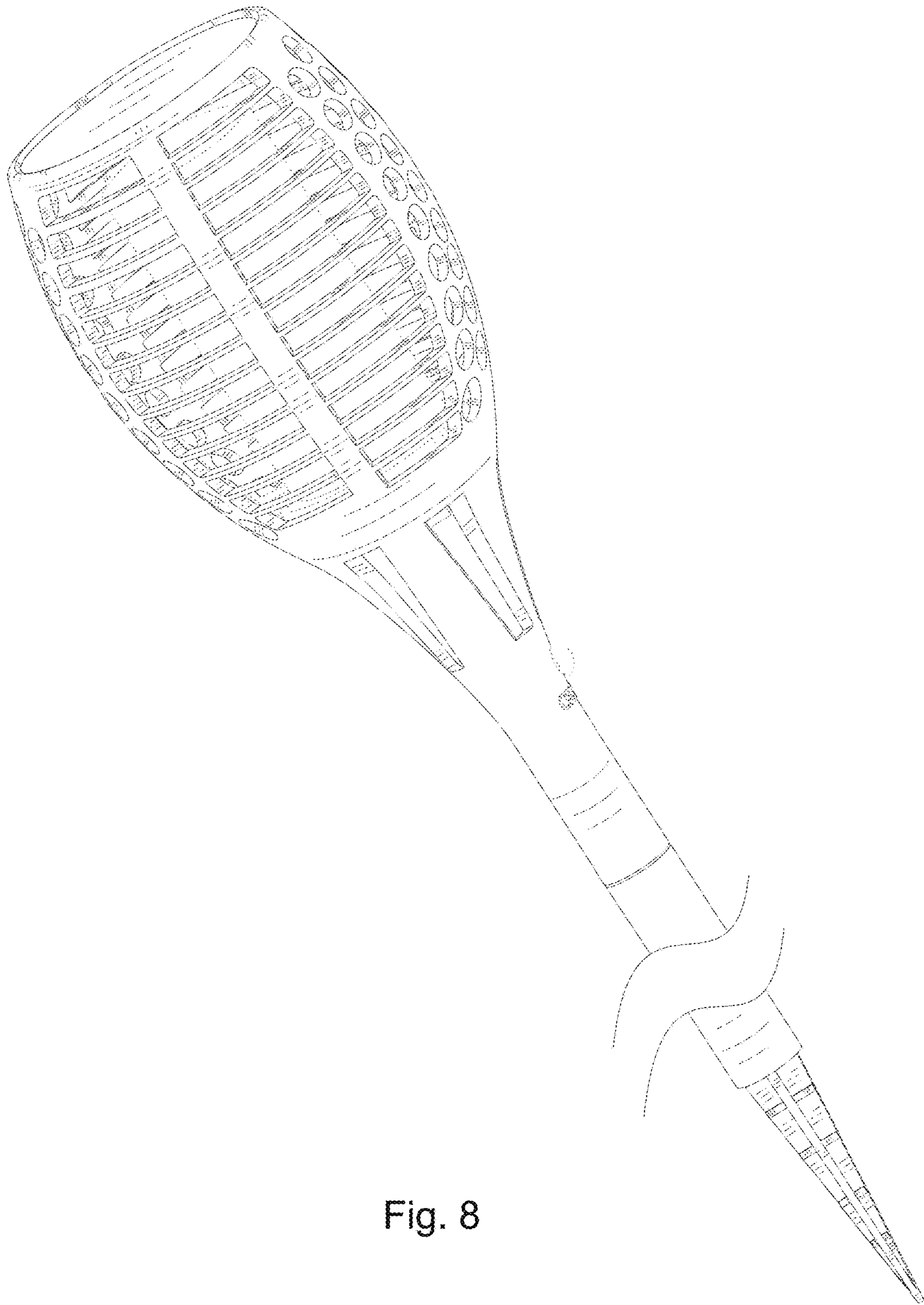


Fig. 8