



US00D816252S

(12) **United States Design Patent** (10) **Patent No.:** **US D816,252 S**
Harvey et al. (45) **Date of Patent:** **** Apr. 24, 2018**

(54) **LIGHT**

(71) Applicant: **Milwaukee Electric Tool Corporation**,
 Brookfield, WI (US)

(72) Inventors: **Kyle Harvey**, Wauwatosa, WI (US);
Jason D. Thurner, Menomonee Falls,
 WI (US); **David Proeber**, Milwaukee,
 WI (US); **Justin D. Dorman**,
 Wauwatosa, WI (US); **Tin Pak Lee**,
 Tsuen Wan (HK); **Jonathan M.**
Mantes, Franklin, WI (US)

4,268,894 A 5/1981 Bartunek et al.
 4,324,477 A 4/1982 Miyazaki
 5,203,621 A 4/1993 Weinmeister et al.
 5,207,747 A 5/1993 Gordin et al.
 5,351,172 A 9/1994 Attree et al.
 5,400,234 A 3/1995 Yu
 5,428,520 A 6/1995 Skief

(Continued)

FOREIGN PATENT DOCUMENTS

EP 0193756 9/1986
 EP 1205428 5/2002

(Continued)

(73) Assignee: **MILWAUKEE ELECTRIC TOOL CORPORATION**, Brookfield, WI (US)

OTHER PUBLICATIONS

Extended European Search Report for Application No. 16198619.5 dated Mar. 1, 2017 (9 pages).

Primary Examiner — Lakiya G Rogers
Assistant Examiner — Altaira J Swangin
 (74) *Attorney, Agent, or Firm* — Michael Best & Friedrich LLP

(**) Term: **15 Years**

(21) Appl. No.: **29/564,811**

(22) Filed: **May 16, 2016**

(51) **LOC (11) Cl.** **26-02**

(52) **U.S. Cl.**
 USPC **D26/50**

(58) **Field of Classification Search**
 USPC D26/40, 41, 46, 49, 36, 50, 51, 74, 123,
 D26/124, 1, 2, 4, 5, 6, 22, 67, 71, 91, 96,
 D26/130, 148, 149, 37, 122, 38, 44, 48;
 320/110; D13/180; 362/33, 612, 555,
 362/18, 301, 184; D6/332, 641, 643, 714
 CPC F21L 19/00; F21L 4/00; F21L 4/08; F21L
 4/027; F21Y 2115/10; F21Y 2103/20;
 F21Y 2105/18; F21Y 2107/30; A47B
 83/001; A47B 87/00; F21V 23/0414;
 F21V 21/30; F21V 21/145
 See application file for complete search history.

(57) **CLAIM**
 We claim the ornamental design for a light, as shown and described.

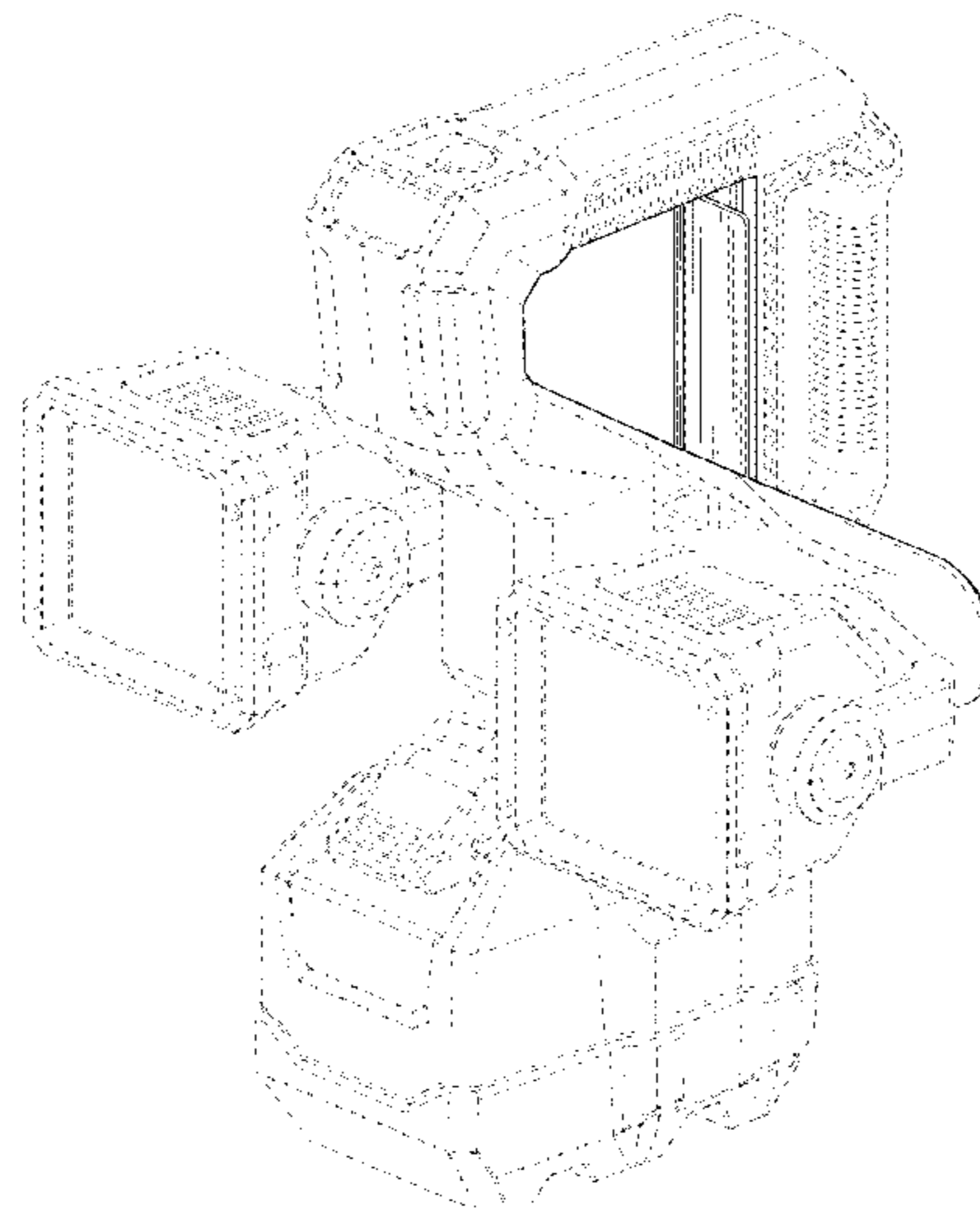
DESCRIPTION

FIG. 1 is a perspective view of light embodying the invention;
 FIG. 2 is a front view of the light of FIG. 1;
 FIG. 3 is a rear view of the light of FIG. 1;
 FIG. 4 is a left side view of the light of FIG. 1;
 FIG. 5 is a right side view of the light of FIG. 1;
 FIG. 6 is a top view of the light of FIG. 1; and,
 FIG. 7 is a bottom view of the light of FIG. 1.
 The elements shown in broken lines are included for the purpose of illustrating environment and form no part of the claimed design.

(56) **References Cited**
 U.S. PATENT DOCUMENTS

3,331,958 A 7/1967 Adler
 4,032,771 A 6/1977 Ilzig
 4,228,489 A 10/1980 Martin

1 Claim, 7 Drawing Sheets



(56)

References Cited

U.S. PATENT DOCUMENTS

5,630,660 A	5/1997	Chen		8,201,979 B2	6/2012	Deighton et al.
5,934,628 A	8/1999	Bosnakovic		D665,521 S	8/2012	Werner et al.
5,944,407 A *	8/1999	Lynch	F21L 4/06 362/184	8,235,552 B1	8/2012	Tsuge
				8,262,248 B2	9/2012	Wessel
5,964,524 A	10/1999	Qian		8,294,340 B2	10/2012	Yu et al.
6,045,240 A	4/2000	Hochstein		8,322,892 B2	12/2012	Scordino et al.
D428,176 S	7/2000	Bamber et al.		8,328,398 B2	12/2012	Van Deursen
6,092,911 A	7/2000	Baker, III et al.		8,330,337 B2	12/2012	Yu et al.
6,099,142 A	8/2000	Liu		8,360,607 B2	1/2013	Bretschneider et al.
6,149,283 A	11/2000	Conway et al.		8,366,290 B2	2/2013	Maglica
6,183,114 B1	2/2001	Cook et al.		8,403,522 B2	3/2013	Chang
6,213,626 B1	4/2001	Qian		D679,845 S *	4/2013	Huang D26/37
6,255,786 B1	7/2001	Yen		8,425,091 B2	4/2013	Chen
6,265,969 B1	7/2001	Shih		8,439,531 B2	5/2013	Trott et al.
D452,022 S	12/2001	Osiecki et al.		8,465,178 B2	6/2013	Wilcox et al.
6,367,949 B1	4/2002	Pederson		8,485,691 B2	7/2013	Hamel et al.
6,379,023 B1	4/2002	Passno		8,547,022 B2	10/2013	Summerford et al.
6,461,017 B2	10/2002	Selkee		D695,434 S	12/2013	Shen
6,474,844 B1	11/2002	Ching		8,599,097 B2	12/2013	Intravatora
6,554,459 B2	4/2003	Yu et al.		D698,471 S	1/2014	Poon
6,637,904 B2	10/2003	Hernandez		D699,874 S	2/2014	Chilton et al.
6,824,297 B1	11/2004	Lee		8,651,438 B2	2/2014	Deighton et al.
6,854,862 B1	2/2005	Hopf		8,659,433 B2	2/2014	Petrou
6,857,756 B2	2/2005	Reiff et al.		D702,863 S *	4/2014	Kotsis D26/37
6,873,249 B2	3/2005	Chu		D703,354 S *	4/2014	Kotsis D26/37
6,877,881 B2	4/2005	Tsao		D703,355 S *	4/2014	Kotsis D26/37
6,899,441 B2	5/2005	Chen		D703,851 S *	4/2014	Gebhard D26/44
D506,847 S	6/2005	Hussaini et al.		8,692,444 B2	4/2014	Patel et al.
6,902,294 B2	6/2005	Wright		8,696,177 B1	4/2014	Frost
6,926,428 B1	8/2005	Lee		D705,467 S	5/2014	Aglassinger
7,001,044 B2	2/2006	Leen		D708,376 S	7/2014	Crowe et al.
7,001,047 B2	2/2006	Holder et al.		8,801,226 B2	8/2014	Moore
7,011,280 B2	3/2006	Murray et al.		8,851,699 B2	10/2014	McMillan
7,063,444 B2	6/2006	Lee et al.		8,858,016 B2	10/2014	Strechuk
7,073,926 B1	7/2006	Kremers et al.		8,858,026 B2	10/2014	Lee et al.
D529,926 S *	10/2006	Krieger	D15/9	8,939,602 B2	1/2015	Wessel
D532,536 S	11/2006	Krieger et al.		8,979,331 B2	3/2015	Lee et al.
7,152,997 B1	12/2006	Kovacik et al.		D726,354 S	4/2015	Davies
7,153,004 B2	12/2006	Galli		9,010,279 B1 *	4/2015	Saber 119/702
7,194,358 B2	3/2007	Callaghan et al.		D728,402 S	5/2015	Case
7,195,377 B2	3/2007	Tsai		9,068,736 B2	6/2015	Lee et al.
7,224,271 B2	5/2007	Wang		D734,886 S *	7/2015	Lazalier D26/63
D549,859 S *	8/2007	Kovacik	D26/37	D737,487 S *	8/2015	Beckett D26/38
D553,281 S	10/2007	Rugendyke et al.		D744,139 S *	11/2015	Itoh D26/63
D553,771 S	10/2007	Watson et al.		9,188,320 B2 *	11/2015	Russello F21V 23/0442
7,278,761 B2	10/2007	Kuan		D747,263 S	1/2016	Lafferty
D556,353 S *	11/2007	Gebhard	D26/48	D750,822 S *	3/2016	Hernandez D26/38
7,350,940 B2	4/2008	Haugaard et al.		D759,291 S *	6/2016	Chen D26/120
7,364,320 B2	4/2008	Van Deursen et al.		D774,231 S *	12/2016	Recker D26/63
7,367,695 B2	5/2008	Shiau		D774,674 S *	12/2016	Hanwell D26/50
7,470,036 B2	12/2008	Deighton et al.		D776,320 S *	1/2017	Bobel D26/63
7,484,858 B2	2/2009	Deighton et al.		9,539,952 B2 *	1/2017	Gebhard F21V 21/30
7,503,530 B1	3/2009	Brown		D781,480 S *	3/2017	Zhan D26/63
D593,236 S *	5/2009	Ng	D26/37	D782,718 S *	3/2017	Ko D26/63
7,566,151 B2	7/2009	Whelan et al.		9,596,776 B2 *	3/2017	Takahashi H05K 5/0086
7,618,154 B2	11/2009	Rosiello		D788,180 S *	5/2017	Mantes D15/7
7,638,970 B1	12/2009	Gebhard et al.		D804,074 S *	11/2017	Fang D26/65
7,670,034 B2	3/2010	Zhang et al.		2002/0136005 A1	9/2002	Lee
7,798,684 B2	9/2010	Boissevain		2002/0167814 A1	11/2002	Ching
7,828,465 B2	11/2010	Roberge et al.		2003/0090904 A1	5/2003	Ching
7,857,486 B2	12/2010	Long et al.		2003/0137847 A1	7/2003	Cooper
7,914,178 B2	3/2011	Xiang et al.		2003/0174503 A1	9/2003	Yueh
7,914,182 B2	3/2011	Mrakovich et al.		2006/0007682 A1	1/2006	Reiff, Jr. et al.
7,972,036 B1	7/2011	Schach et al.		2006/0067077 A1	3/2006	Kumthampinij et al.
D643,138 S	8/2011	Kawase et al.		2006/0146550 A1	7/2006	Simpson et al.
7,988,335 B2	8/2011	Liu et al.		2006/0279948 A1	12/2006	Tsai
7,990,062 B2	8/2011	Liu		2006/0285323 A1	12/2006	Fowler
7,997,753 B2	8/2011	Walesa et al.		2007/0211470 A1	9/2007	Huang
8,007,128 B2	8/2011	Wu et al.		2007/0297167 A1	12/2007	Greenhoe
8,007,145 B2	8/2011	Leen		2008/0112170 A1	5/2008	Trott et al.
8,029,169 B2	10/2011	Liu		2008/0158887 A1	7/2008	Zhu et al.
8,047,481 B2	11/2011	Shen		2008/0165537 A1	7/2008	Shiau
8,087,797 B2	1/2012	Pelletier et al.		2008/0198588 A1 *	8/2008	O'Hern F21L 4/00 362/183
8,142,045 B2	3/2012	Peak		2008/0253125 A1	10/2008	Kang et al.
8,167,466 B2	5/2012	Liu		2008/0302933 A1	12/2008	Cardellini
				2009/0080205 A1	3/2009	Chang et al.
				2009/0116230 A1	5/2009	Young
				2009/0134191 A1	5/2009	Phillips

(56)

References Cited

U.S. PATENT DOCUMENTS

2009/0135594 A1 5/2009 Yu et al.
 2009/0284963 A1 11/2009 Intravatola
 2009/0303717 A1 12/2009 Long et al.
 2010/0027260 A1 2/2010 Liu
 2010/0027269 A1 2/2010 Lo et al.
 2010/0072897 A1 3/2010 Zheng
 2010/0080005 A1 4/2010 Gattari
 2010/0091495 A1 4/2010 Patrick
 2010/0142213 A1 6/2010 Bigge et al.
 2010/0315824 A1 12/2010 Chen
 2010/0328951 A1 12/2010 Boissevain
 2011/0031887 A1 2/2011 Stoll et al.
 2011/0038144 A1 2/2011 Chang
 2011/0050070 A1 3/2011 Pickard
 2011/0058367 A1 3/2011 Shiau et al.
 2011/0075404 A1 3/2011 Allen et al.
 2011/0121727 A1 5/2011 Sharrah et al.
 2011/0228524 A1 9/2011 Greer
 2011/0286216 A1 11/2011 Araman
 2011/0317420 A1 12/2011 Jeon et al.
 2012/0026729 A1 2/2012 Sanchez et al.
 2012/0033400 A1 2/2012 Remus et al.
 2012/0033429 A1 2/2012 Van De Ven
 2012/0044707 A1 2/2012 Breidenassel
 2012/0048511 A1 3/2012 Moshtagh
 2012/0049717 A1 3/2012 Lu
 2012/0057351 A1 3/2012 Wilcox et al.
 2012/0087118 A1 4/2012 Bailey et al.
 2012/0087125 A1 4/2012 Liu
 2012/0098437 A1 4/2012 Smed
 2012/0120674 A1 5/2012 Jonker
 2012/0140455 A1 6/2012 Chang
 2012/0155104 A1 6/2012 Jonker
 2012/0212963 A1 8/2012 Jigamian
 2012/0234519 A1 9/2012 Lee
 2012/0236551 A1 9/2012 Sharrah et al.

2012/0247735 A1 10/2012 Ito et al.
 2012/0262917 A1 10/2012 Courcelle
 2012/0300487 A1 11/2012 Jonker
 2013/0032323 A1 2/2013 Hsu
 2013/0058078 A1 3/2013 Meng
 2013/0077296 A1 3/2013 Goeckel et al.
 2013/0128565 A1 5/2013 Cugini et al.
 2013/0176713 A1 7/2013 Deighton et al.
 2013/0187785 A1 7/2013 McIntosh et al.
 2013/0258645 A1 10/2013 Weber et al.
 2013/0265780 A1 10/2013 Choski et al.
 2013/0322073 A1 12/2013 Hamm et al.
 2014/0126192 A1 5/2014 Ancona et al.
 2014/0140050 A1 5/2014 Wong et al.
 2014/0192543 A1 7/2014 Deighton et al.
 2014/0218936 A1 8/2014 Mahling et al.
 2014/0268775 A1 9/2014 Kennemer et al.
 2014/0301066 A1 10/2014 Inskeep
 2014/0307443 A1 10/2014 Clifford et al.
 2014/0376216 A1 12/2014 McLoughlin et al.
 2015/0023771 A1 1/2015 Carr et al.
 2015/0233569 A1 8/2015 Xue et al.
 2015/0233571 A1 8/2015 Inan et al.
 2016/0354664 A1* 12/2016 DeCarlo A63B 63/00
 2017/0138575 A1* 5/2017 Harvey F21V 21/145
 2017/0204864 A1* 7/2017 Mantes F04D 13/068
 2017/0331163 A1* 11/2017 Ebner H01M 10/659

FOREIGN PATENT DOCUMENTS

EP 2436641 4/2012
 GB 2424694 10/2006
 GB 2468740 9/2010
 KR 20100116933 11/2010
 WO 2002044503 6/2002
 WO 2014083117 6/2014
 WO 2014207595 12/2014

* cited by examiner

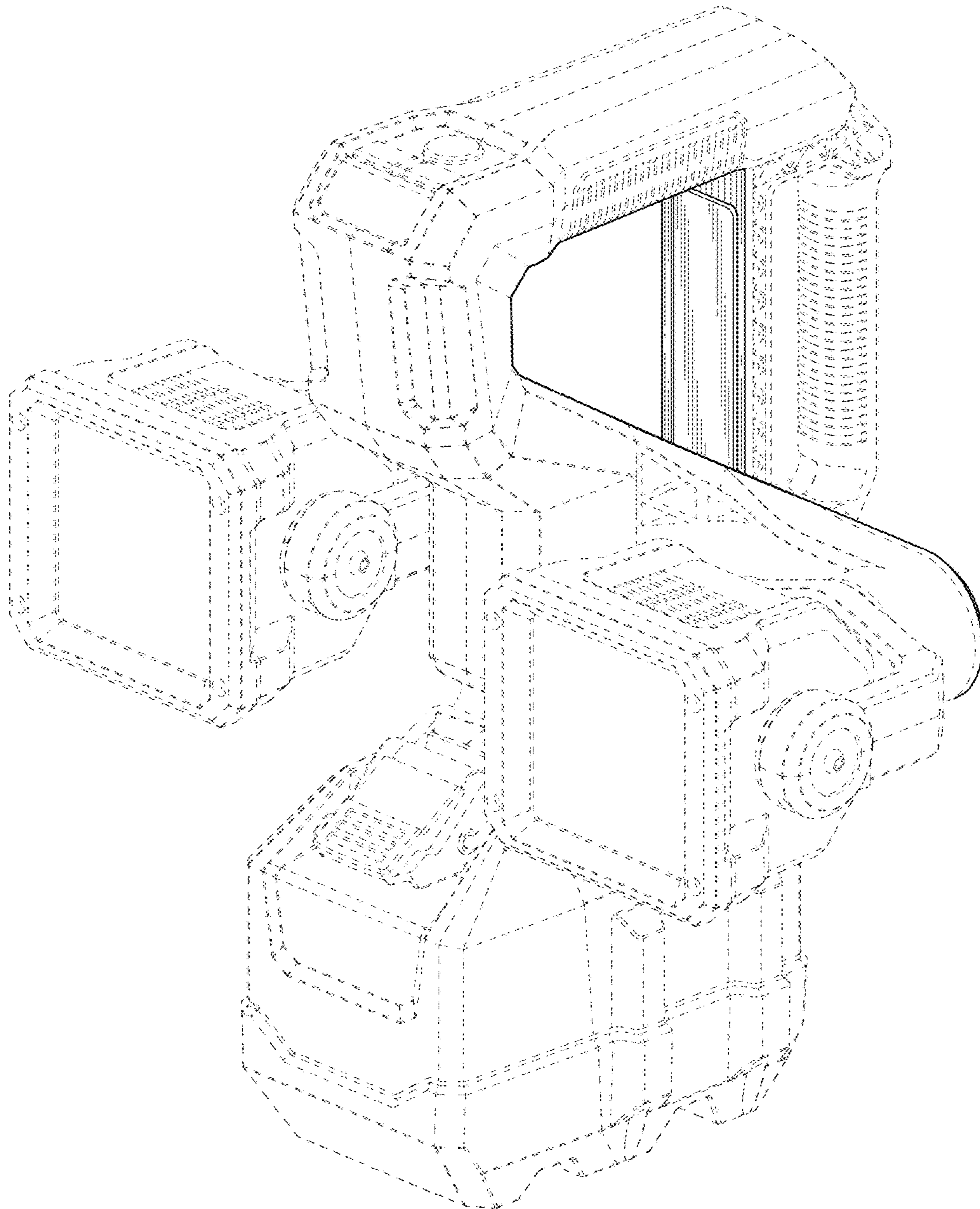


FIG. 1

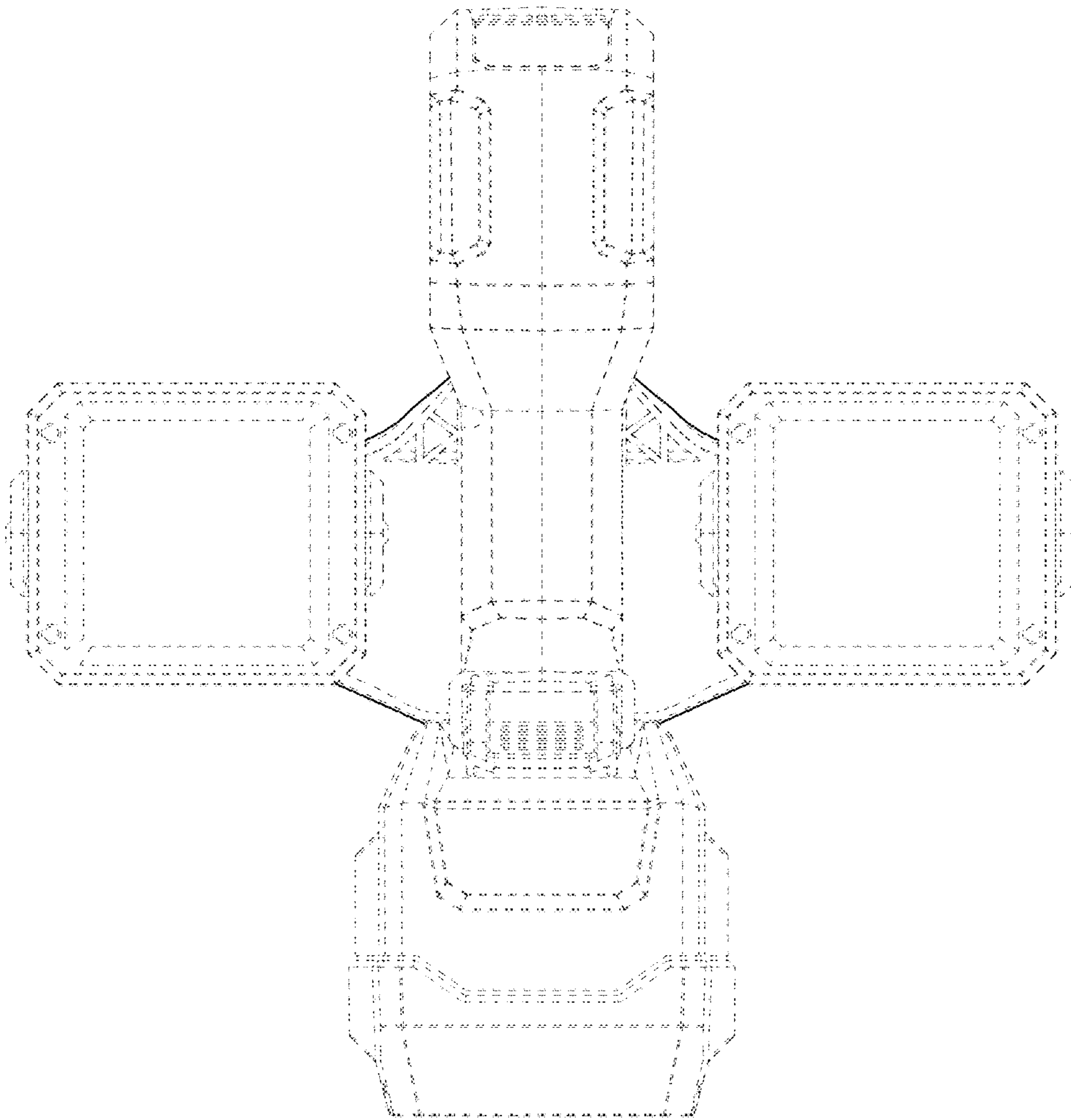


FIG. 2

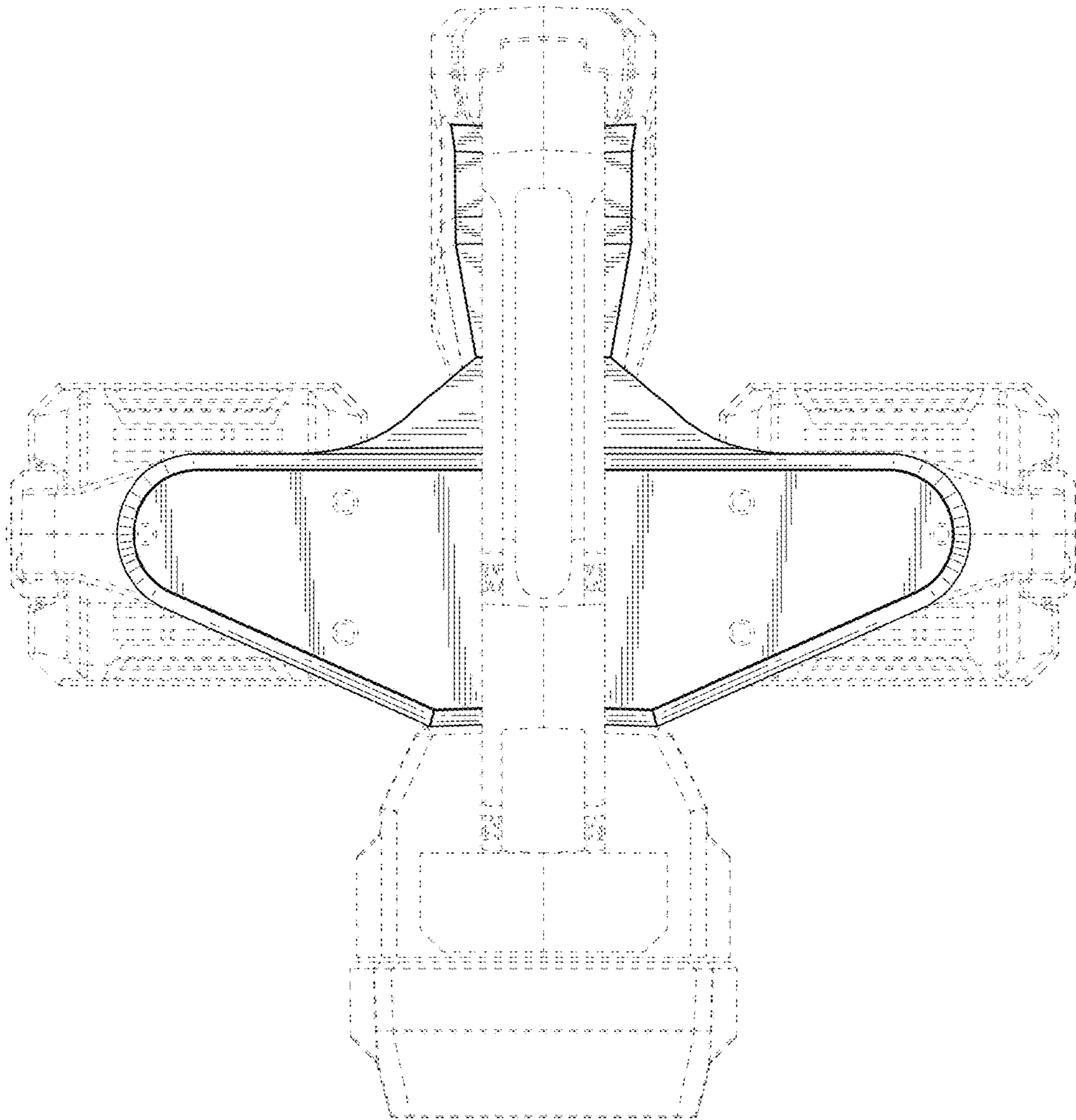


FIG. 3

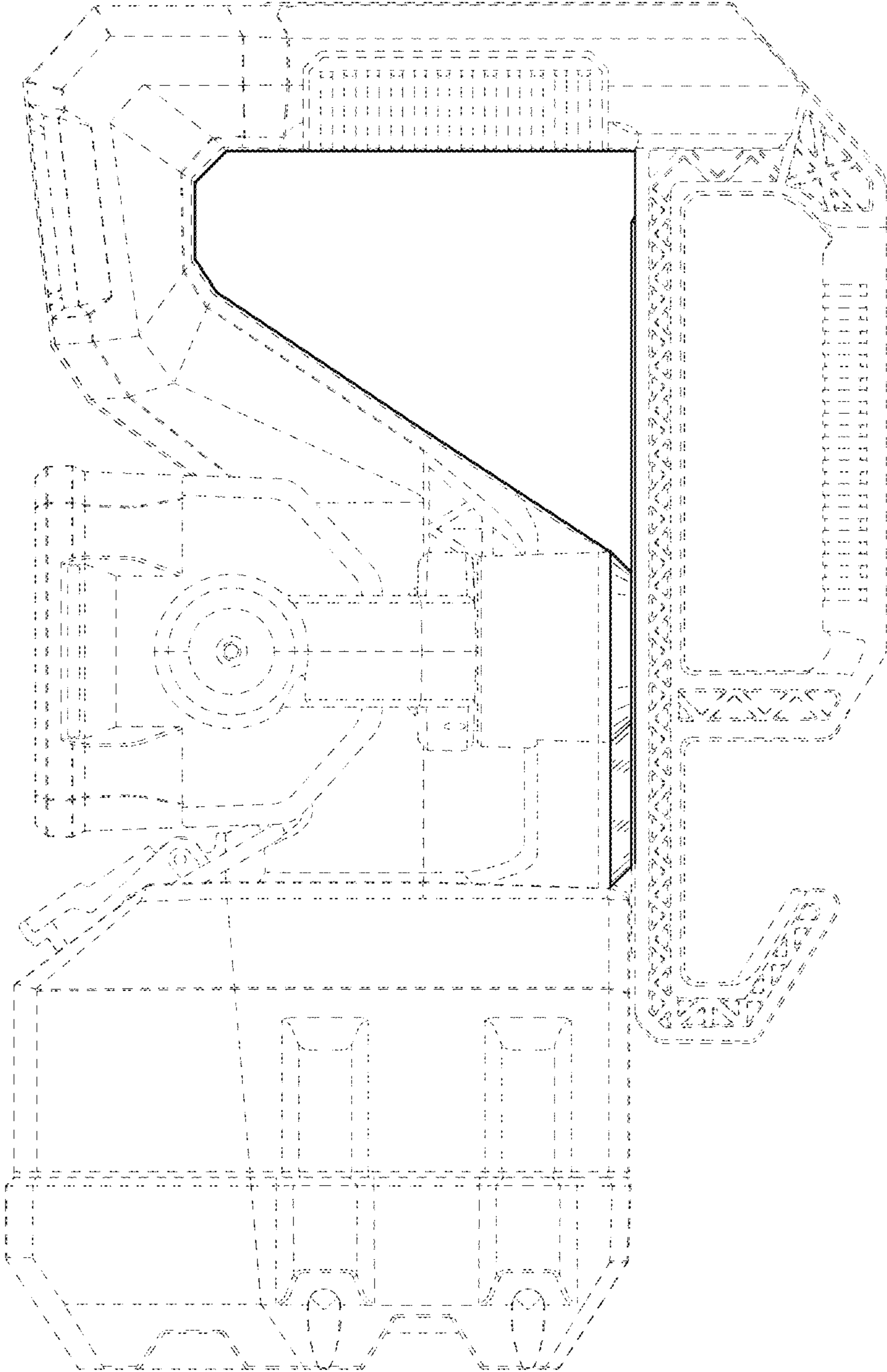


FIG. 4

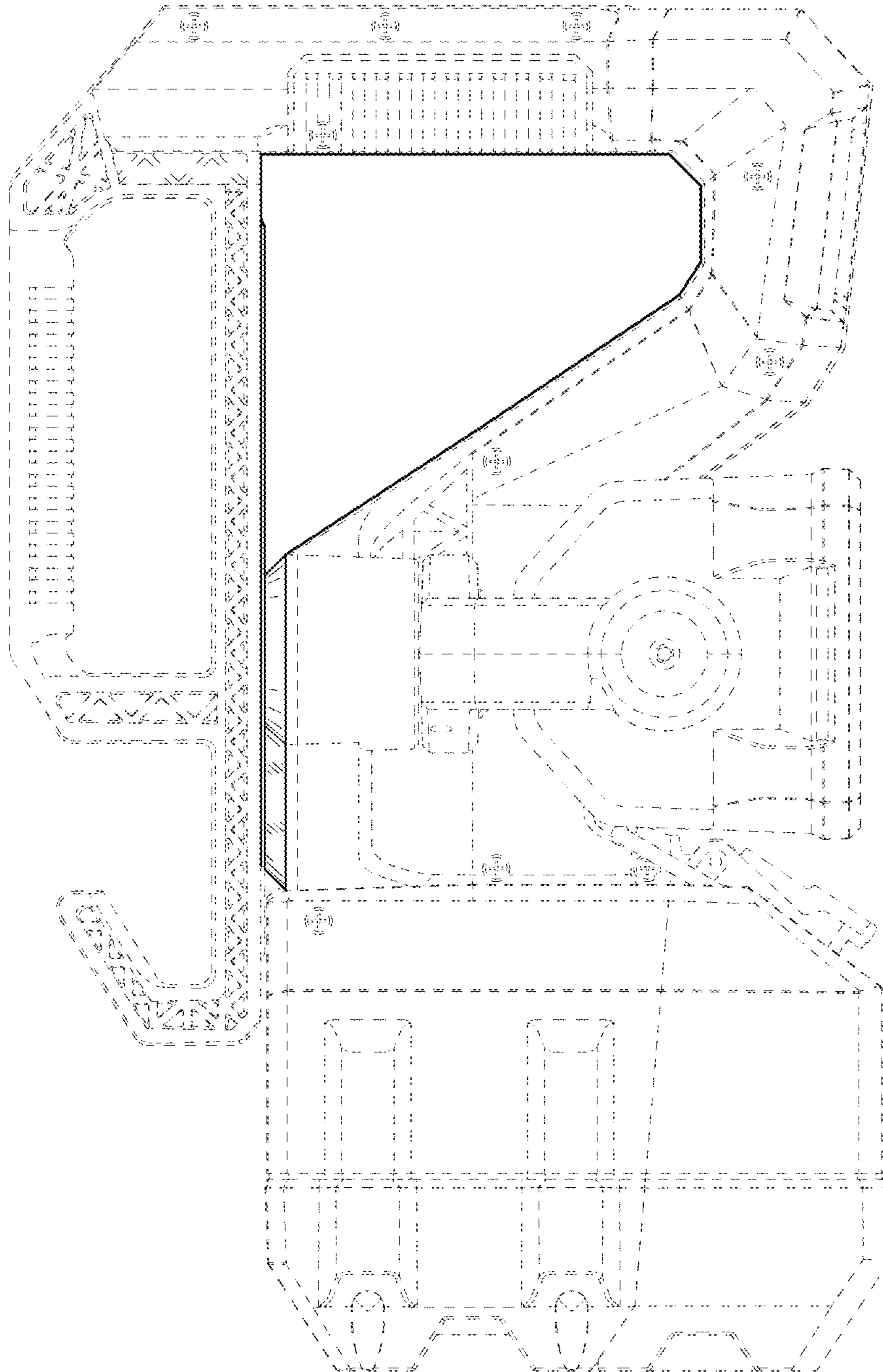


FIG. 5

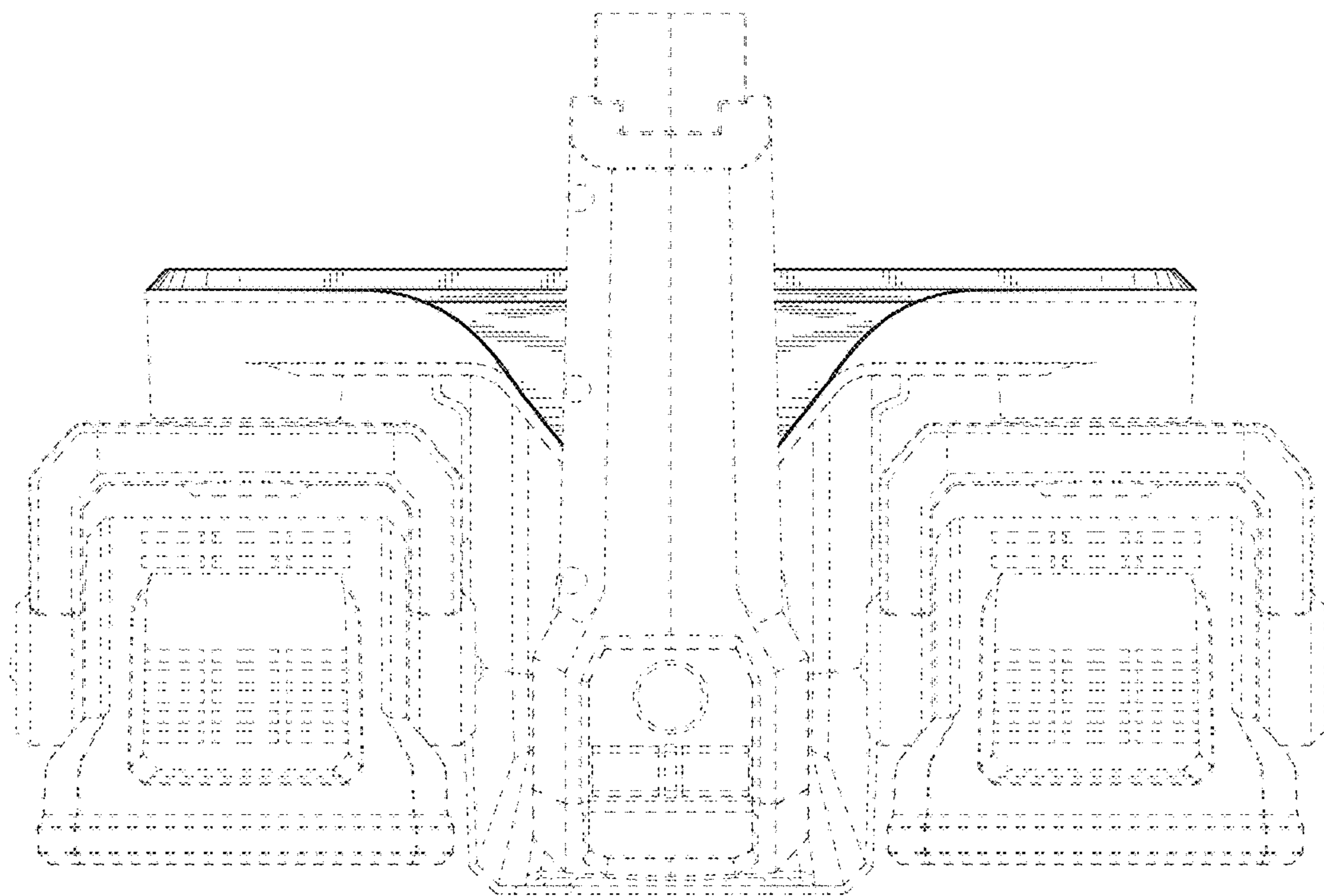


FIG. 6

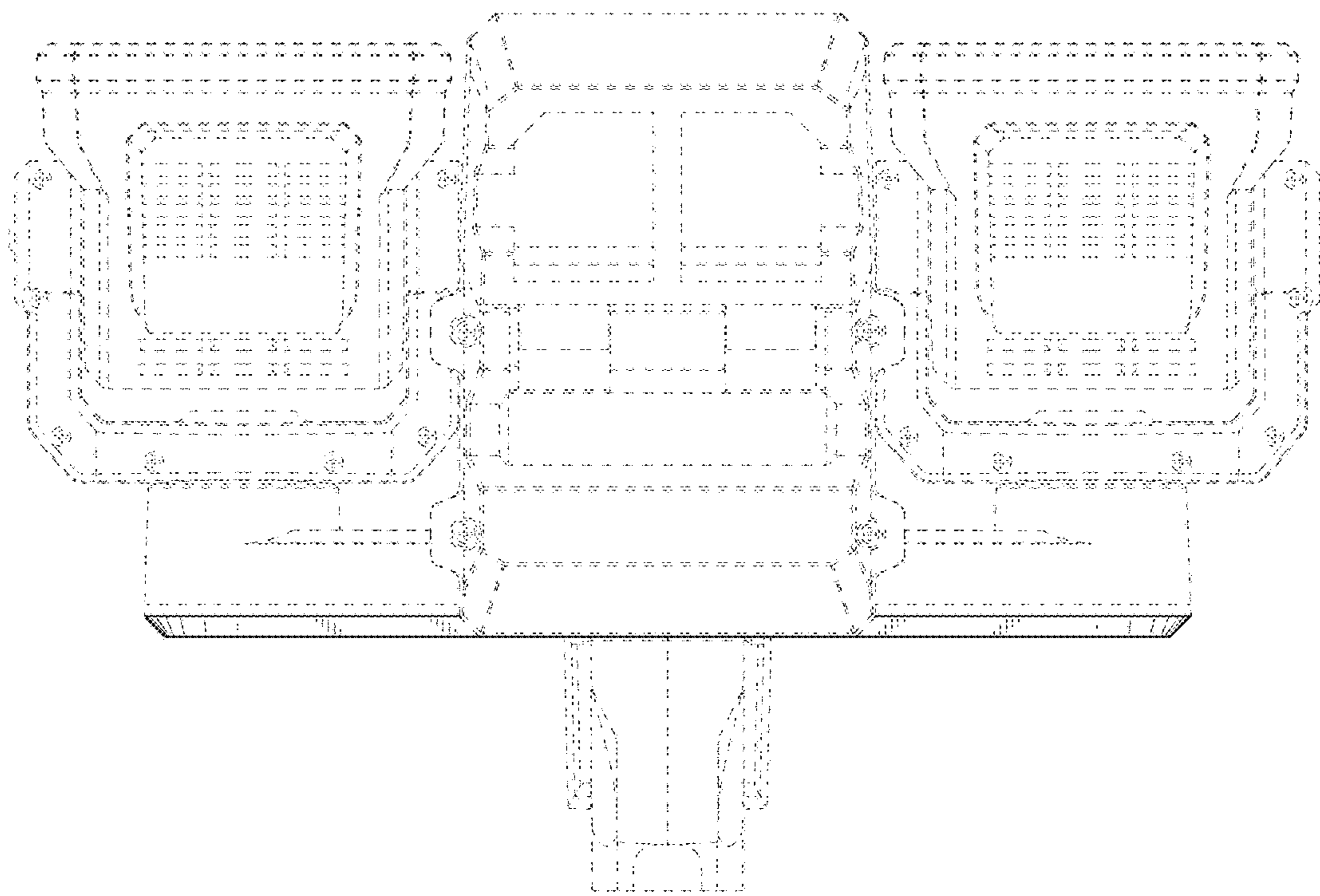


FIG. 7