



US00D816251S

(12) **United States Design Patent**
Johnson

(10) **Patent No.:** **US D816,251 S**

(45) **Date of Patent:** **** *Apr. 24, 2018**

(54) **FLASHLIGHT**

(71) Applicant: **PROACTIVE PREPAREDNESS, INC.**, St. George, UT (US)

(72) Inventor: **Edward Johnson**, St. George, UT (US)

(73) Assignee: **Proactive Preparedness, Inc.**, St. George, UT (US)

(*) Notice: This patent is subject to a terminal disclaimer.

(**) Term: **15 Years**

(21) Appl. No.: **29/559,429**

(22) Filed: **Mar. 28, 2016**

(51) **LOC (11) Cl.** **26-02**

(52) **U.S. Cl.**
USPC **D26/49**

(58) **Field of Classification Search**
USPC D26/37, 38, 46, 51, 49
CPC F21L 2003/00; F21L 4/00; F21L 4/005;
F21L 4/02; F21L 4/025; F21L 4/027;
F21L 4/04; F21L 4/08; F21L 2005/00;
F21L 7/00; F21L 11/00; F21L 13/00;
F21L 13/04; F21L 13/08; F21L 14/02;
F21L 17/00; F21L 19/00

See application file for complete search history.

(56) **References Cited**

U.S. PATENT DOCUMENTS

D579,595 S * 10/2008 Shiu D26/49
D586,025 S * 2/2009 Bonis D26/49

D698,961 S * 2/2014 Dalton D26/49
D732,721 S * 6/2015 Popper D26/49
D745,987 S * 12/2015 Nawaz D22/117
D747,024 S * 1/2016 Windom D26/49
D749,766 S * 2/2016 Nguyen D26/49
D769,496 S * 10/2016 Inskeep D26/49
D774,230 S * 12/2016 Prieto D26/49

* cited by examiner

Primary Examiner — Lakiya Rogers

Assistant Examiner — Carissa C Fitts

(74) *Attorney, Agent, or Firm* — Sunstone IP

(57) **CLAIM**

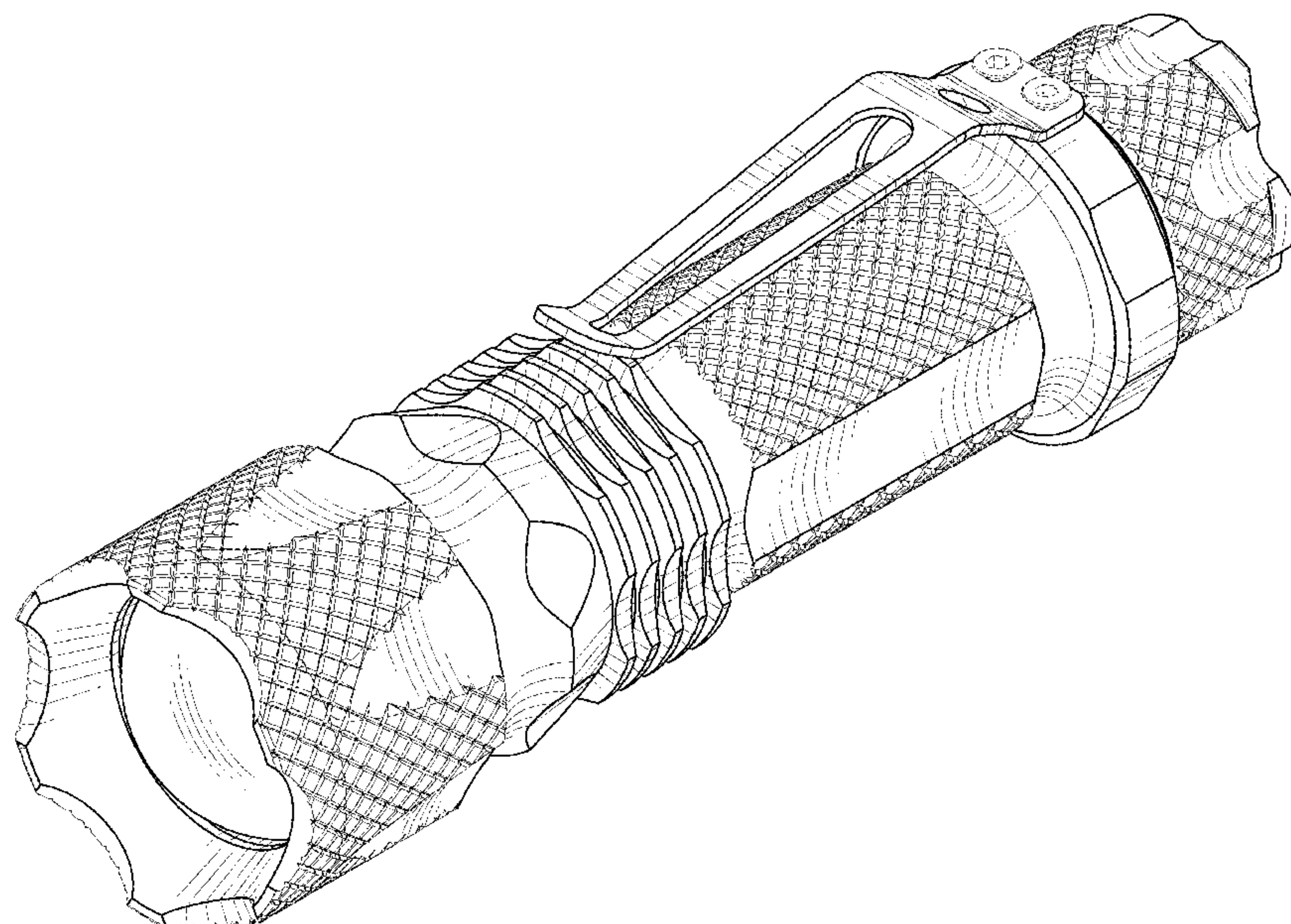
The ornamental design for a flashlight, as shown and described.

DESCRIPTION

FIG. 1 is a perspective view of flashlight showing the new design;
FIG. 2 is another perspective view thereof;
FIG. 3 is a front elevational view thereof;
FIG. 4 is a back elevational view thereof
FIG. 5 is a left side elevational view thereof;
FIG. 6 is a right side elevational view thereof;
FIG. 7 is a bottom plan view thereof; and,
FIG. 8 is a top plan view thereof.

The broken lines show portions of the article not claimed and form no part of the claims design.

1 Claim, 7 Drawing Sheets



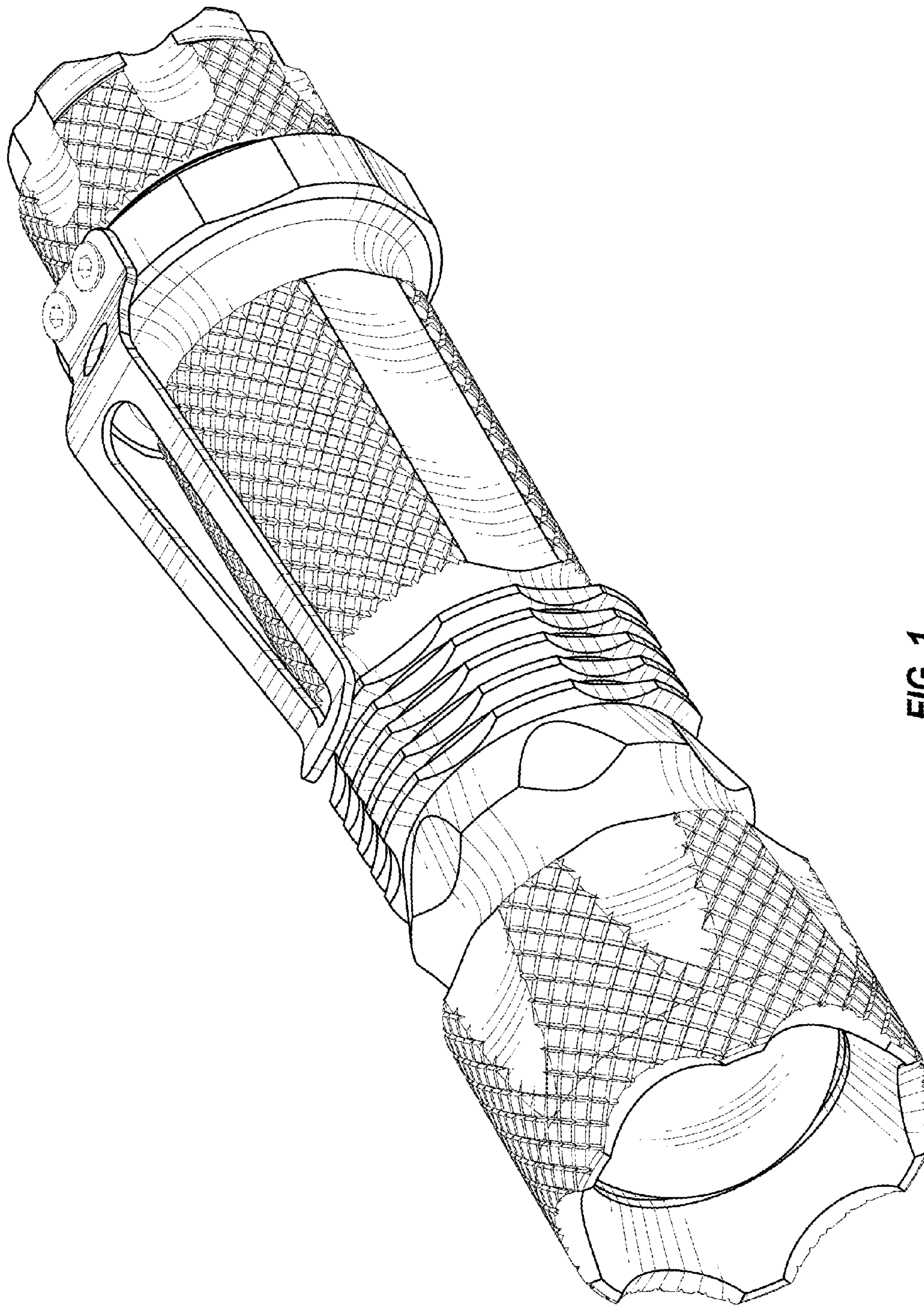


FIG. 1

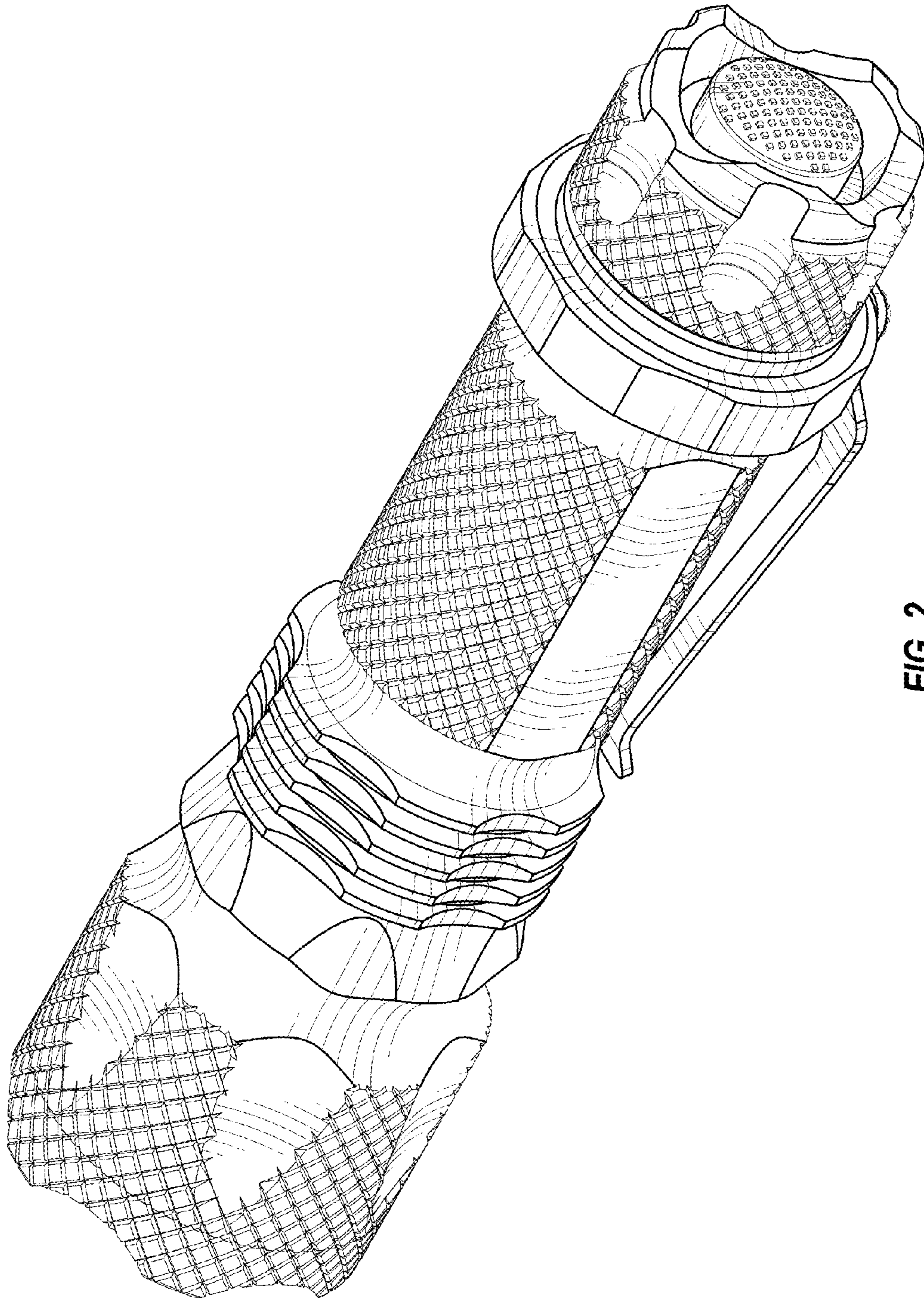


FIG. 2

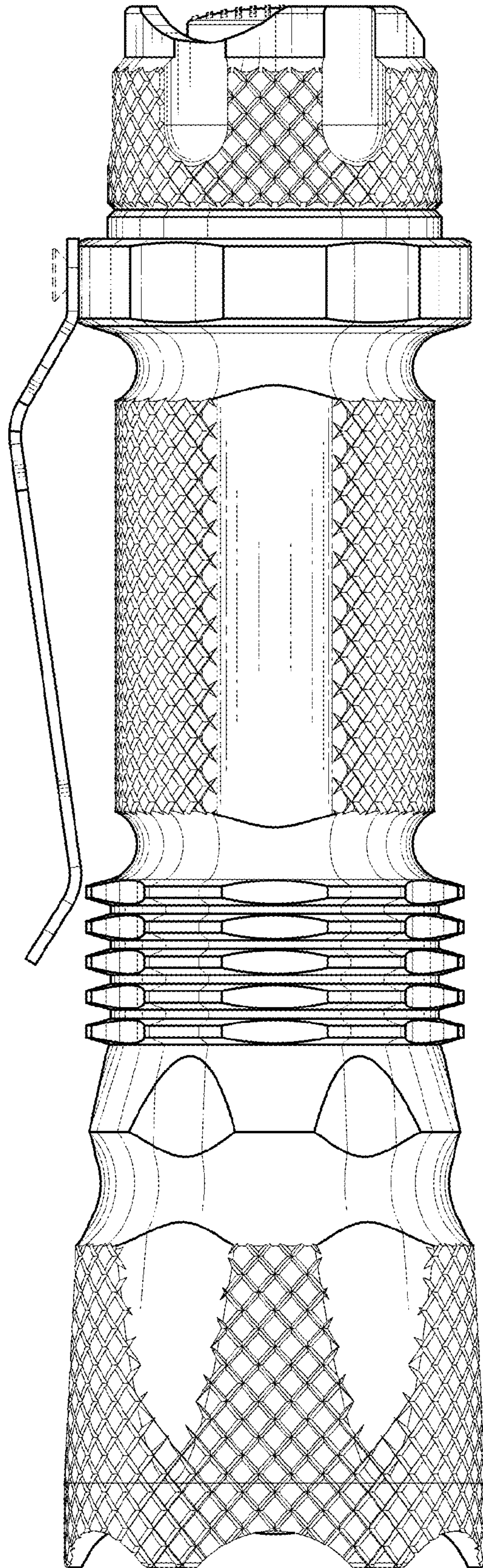


FIG. 3

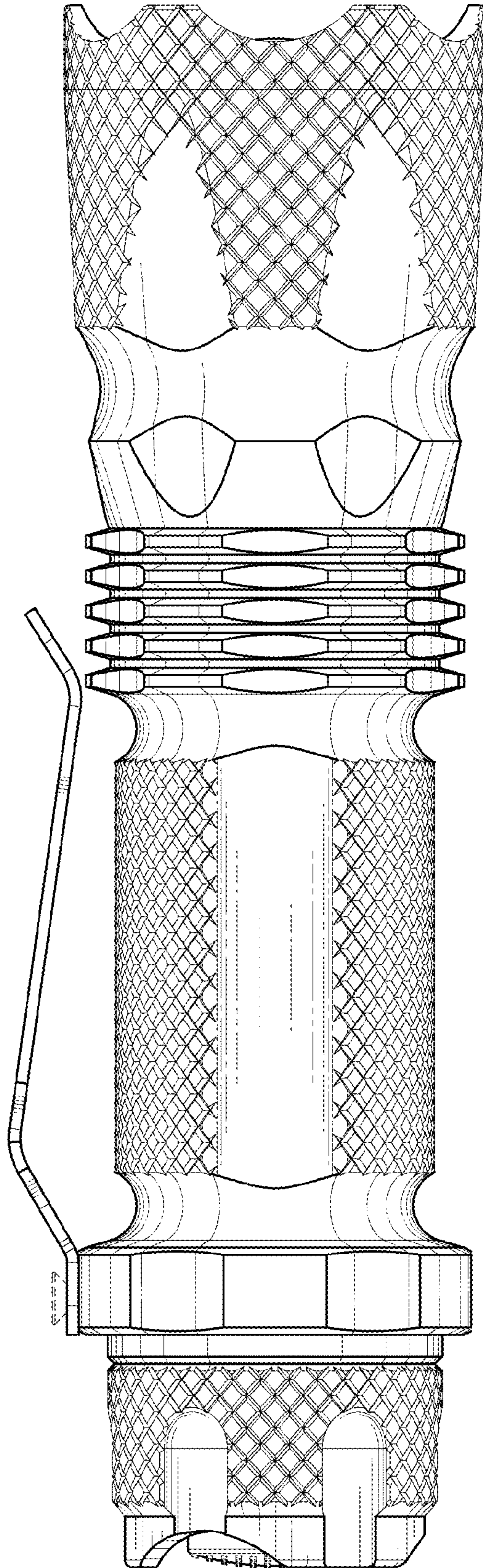


FIG. 4

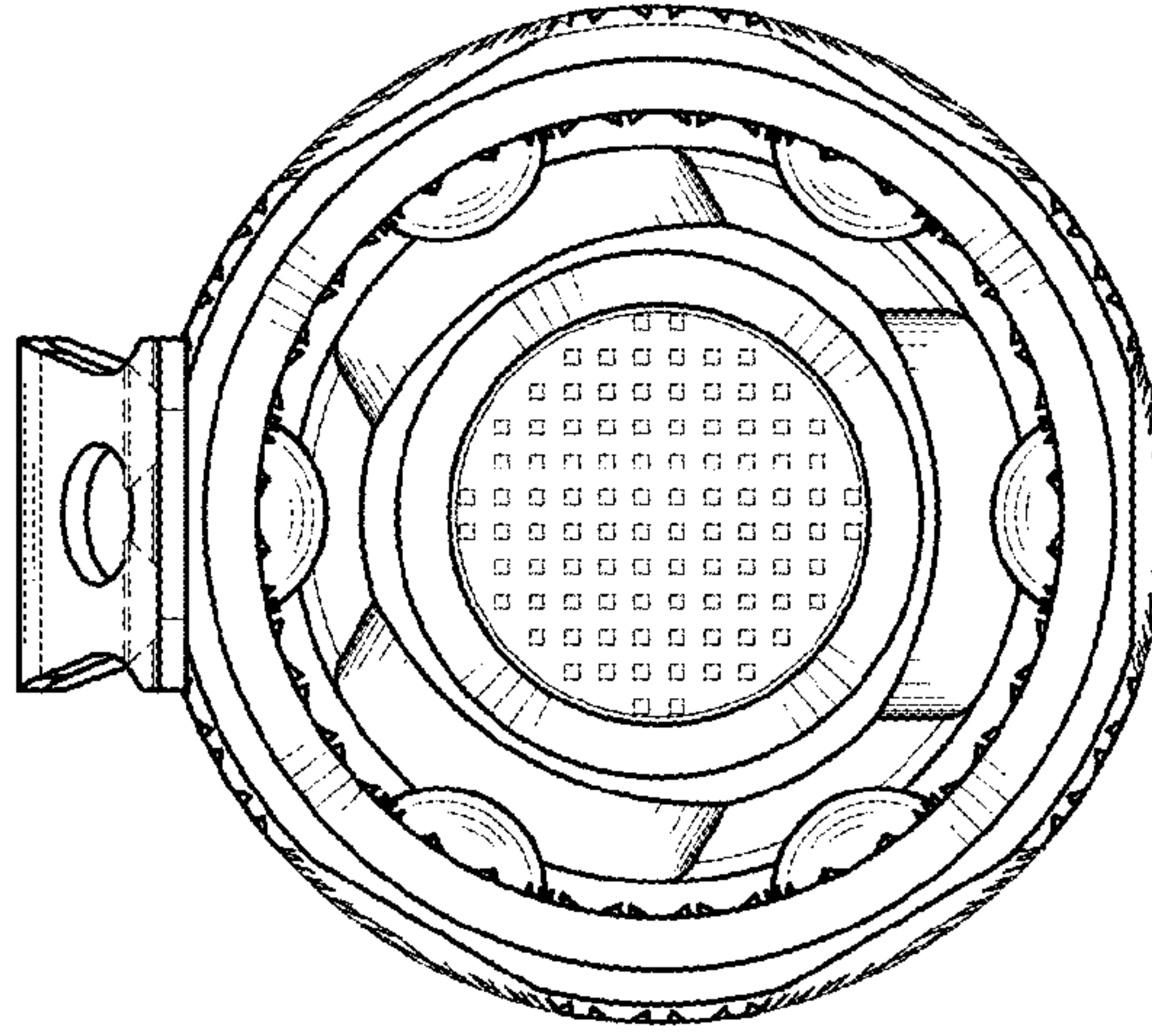


FIG. 6

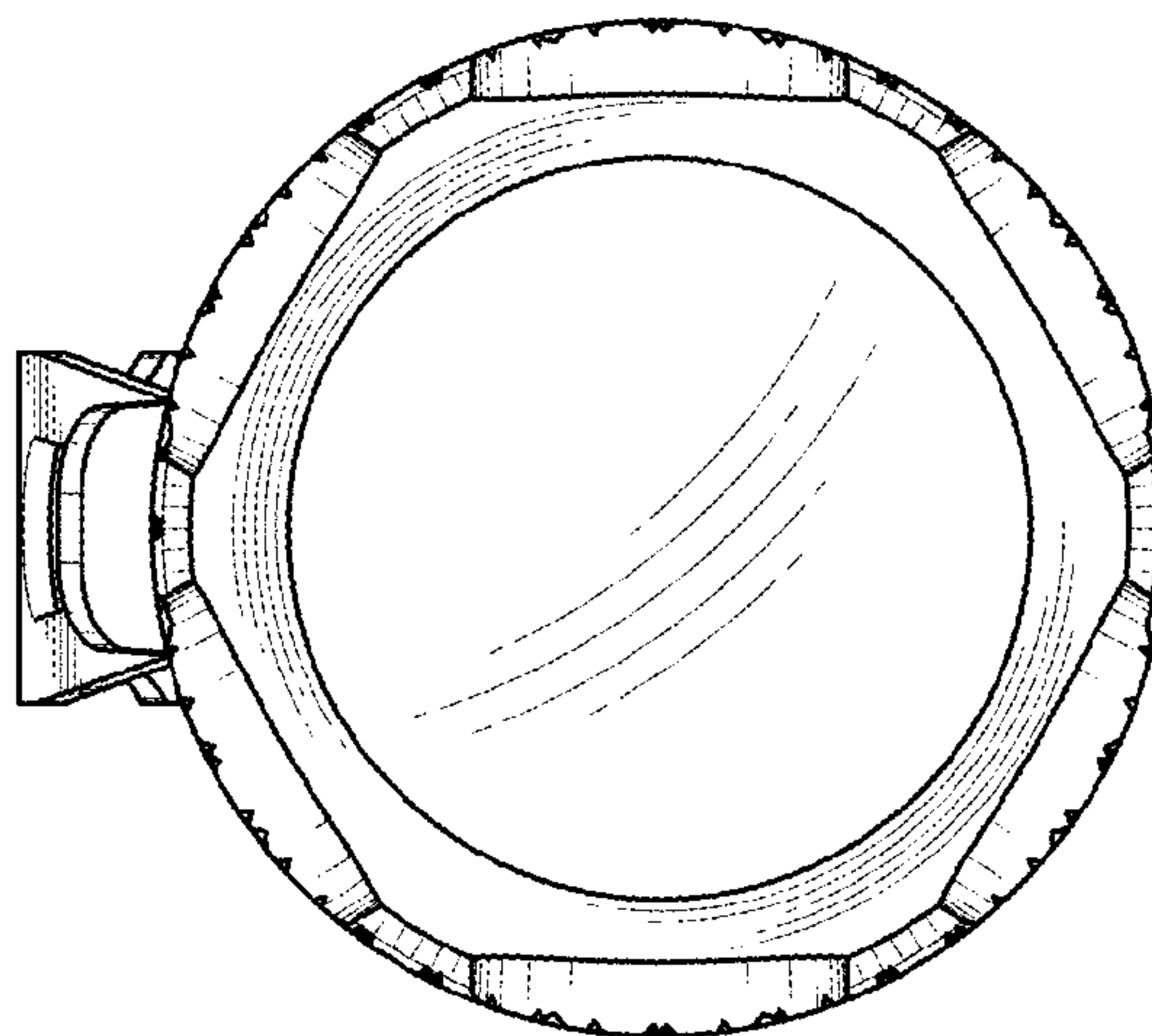


FIG. 5

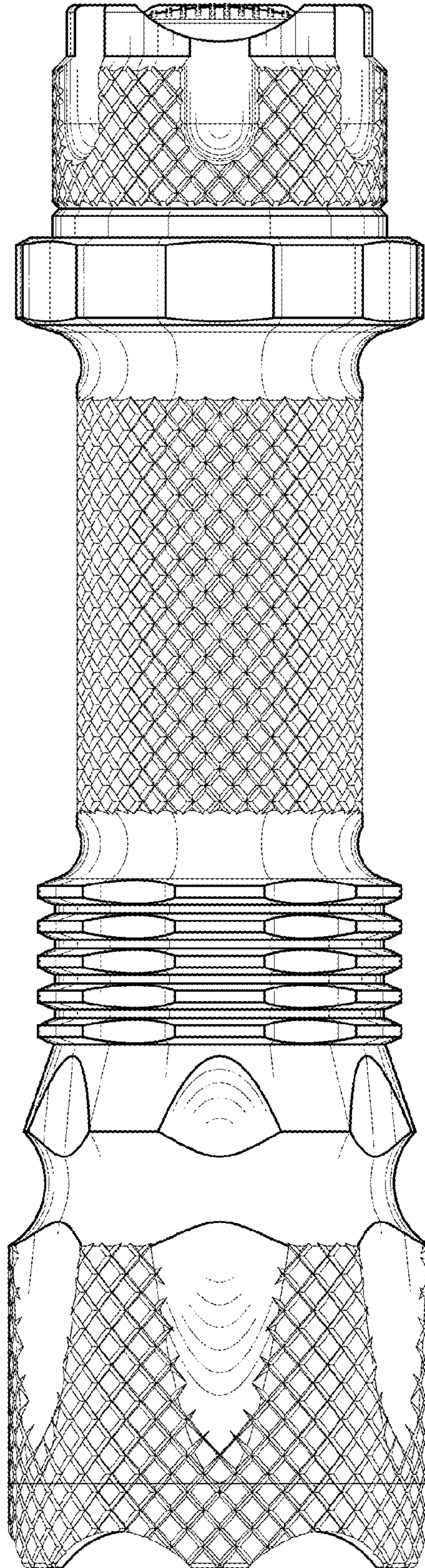


FIG. 7

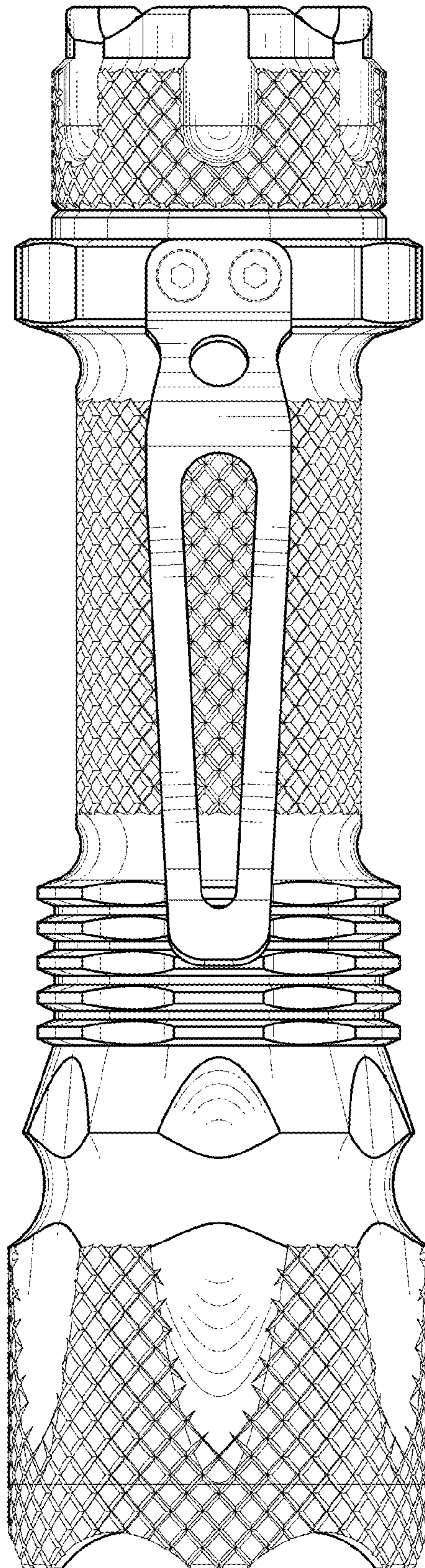


FIG. 8