



US00D816250S

(12) **United States Design Patent**
Wang

(10) **Patent No.:** **US D816,250 S**

(45) **Date of Patent:** **** Apr. 24, 2018**

(54) **SOLAR LAMP**

(71) Applicant: **MAMBATE USA INC.**, New York,
NY (US)

(72) Inventor: **Kaihong Wang**, Guangdong (CN)

(73) Assignee: **MAMBATE USA INC.**, New York,
NY (US)

(**) Term: **15 Years**

(21) Appl. No.: **29/586,930**

(22) Filed: **Dec. 7, 2016**

(51) **LOC (11) Cl.** **24-02**

(52) **U.S. Cl.**
USPC **D26/41**

(58) **Field of Classification Search**
USPC D26/37, 40, 41, 38, 51
CPC F21L 2003/00; F21L 4/00; F21L 4/005;
F21L 4/02; F21L 4/025; F21L 4/027;
F21L 4/04; F21L 4/08; F21L 2005/00;
F21L 7/00; F21L 11/00; F21L 13/00;
F21L 13/04; F21L 13/08; F21L 14/02;
F21L 17/00; F21L 19/00

See application file for complete search history.

(56) **References Cited**

U.S. PATENT DOCUMENTS

D616,578 S * 5/2010 Leung D26/41
D617,481 S * 6/2010 Leung D26/41
D648,055 S * 11/2011 Poon D26/41

D650,104 S * 12/2011 Brands D26/41
D652,554 S * 1/2012 Leung D26/41
D725,300 S * 3/2015 Dalton D26/40
D744,680 S * 12/2015 Ma D26/41
D754,379 S * 4/2016 Green D26/113
D774,228 S * 12/2016 Workman D26/41
D776,315 S * 1/2017 Wu D26/41

* cited by examiner

Primary Examiner — Karen E Kearney

Assistant Examiner — Carissa C Fitts

(74) *Attorney, Agent, or Firm* — Law Offices of Steven
W. Weinrieb

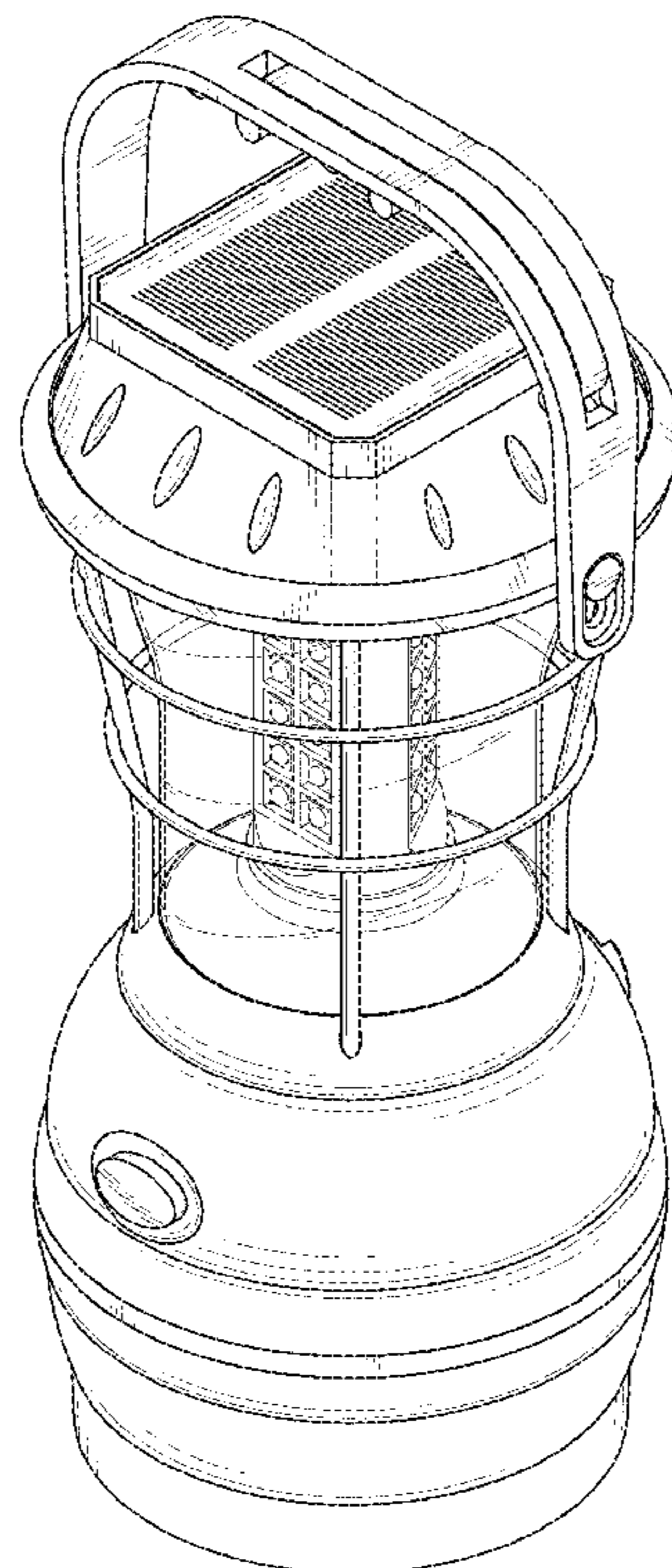
(57) **CLAIM**

The ornamental design for a solar lamp, as shown and described.

DESCRIPTION

FIG. 1 is a first perspective view of a solar lamp showing my new design;
FIG. 2 is a second perspective view thereof;
FIG. 3 is a front elevational view thereof;
FIG. 4 is a rear elevational view thereof;
FIG. 5 is a left side view thereof;
FIG. 6 is a right side view thereof;
FIG. 7 is a top plan view thereof; and,
FIG. 8 is a bottom plan view thereof.
The broken lines in the drawings illustrate portions of the solar lamp which form no part of the claimed design. The diagonal lines indicate transparency.

1 Claim, 8 Drawing Sheets



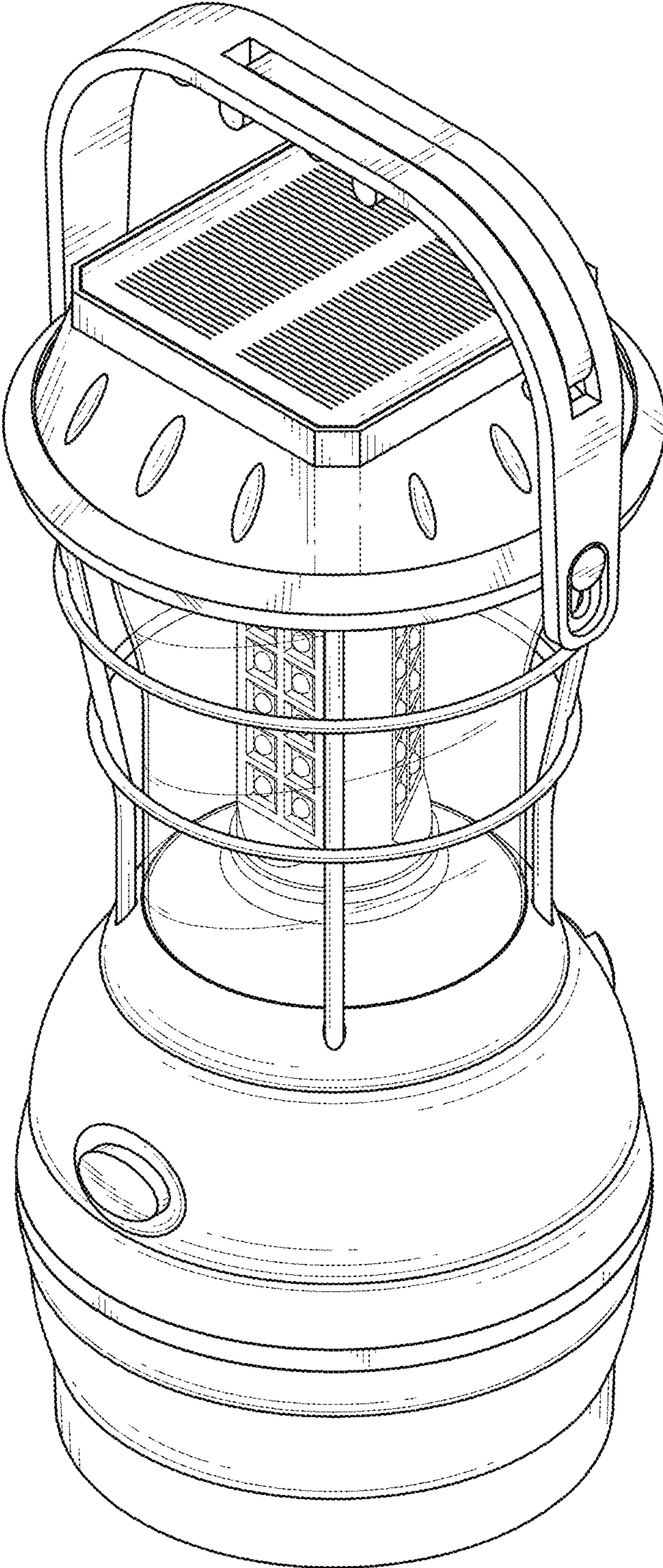


FIG. 1

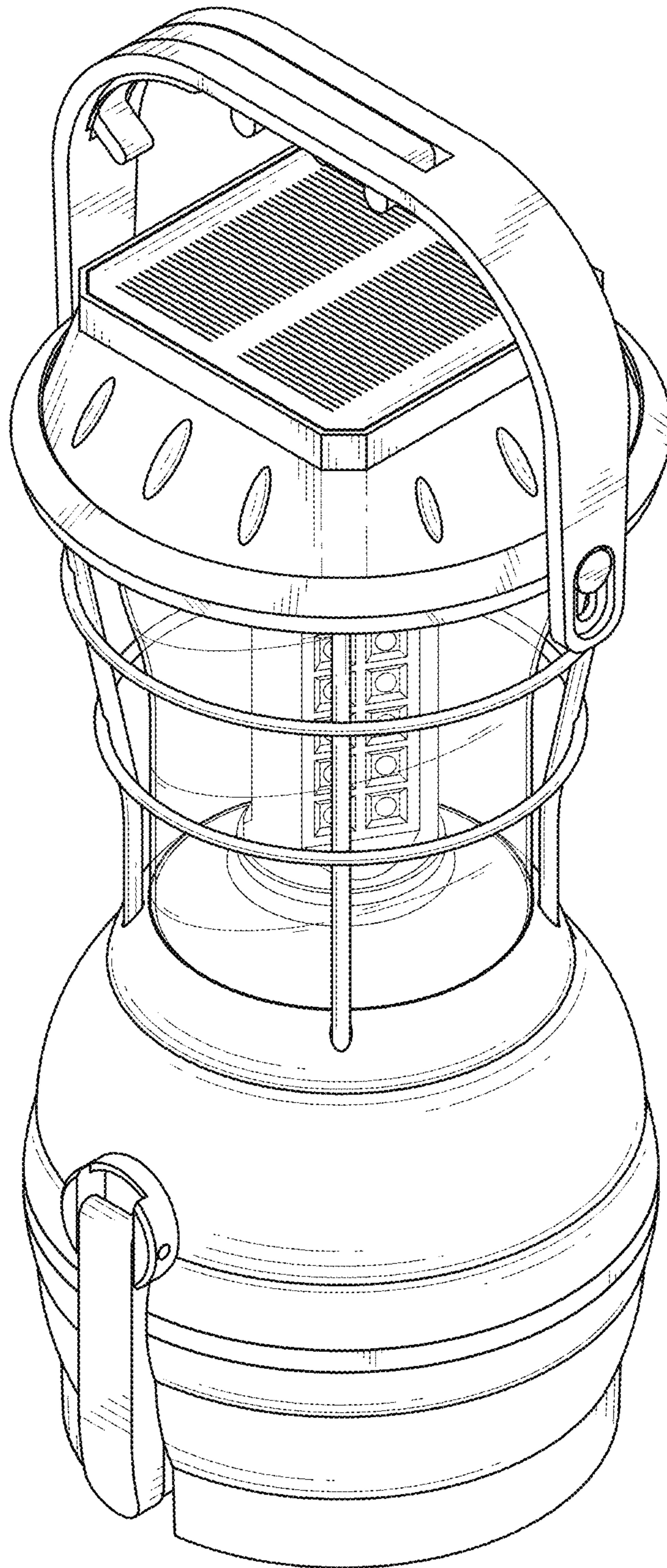


FIG. 2

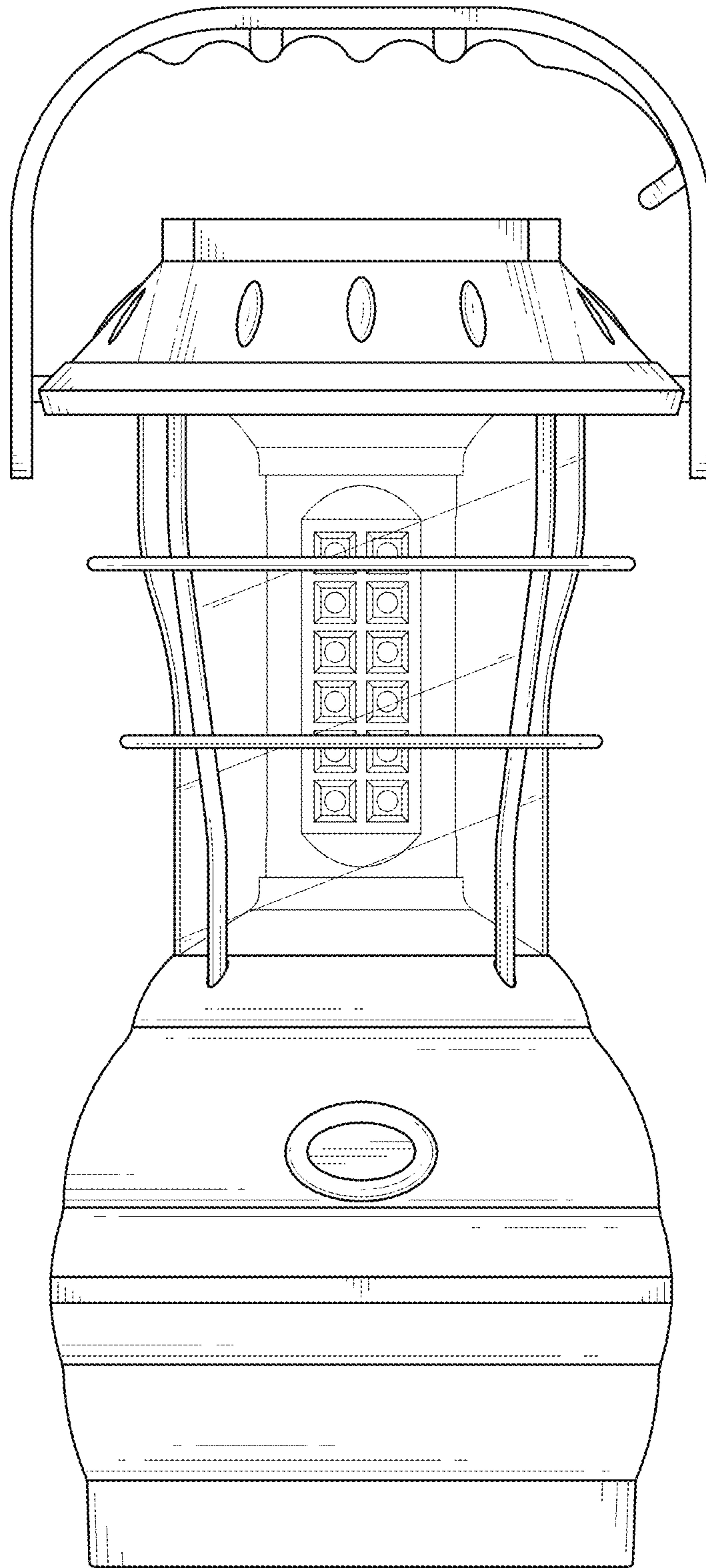


FIG. 3

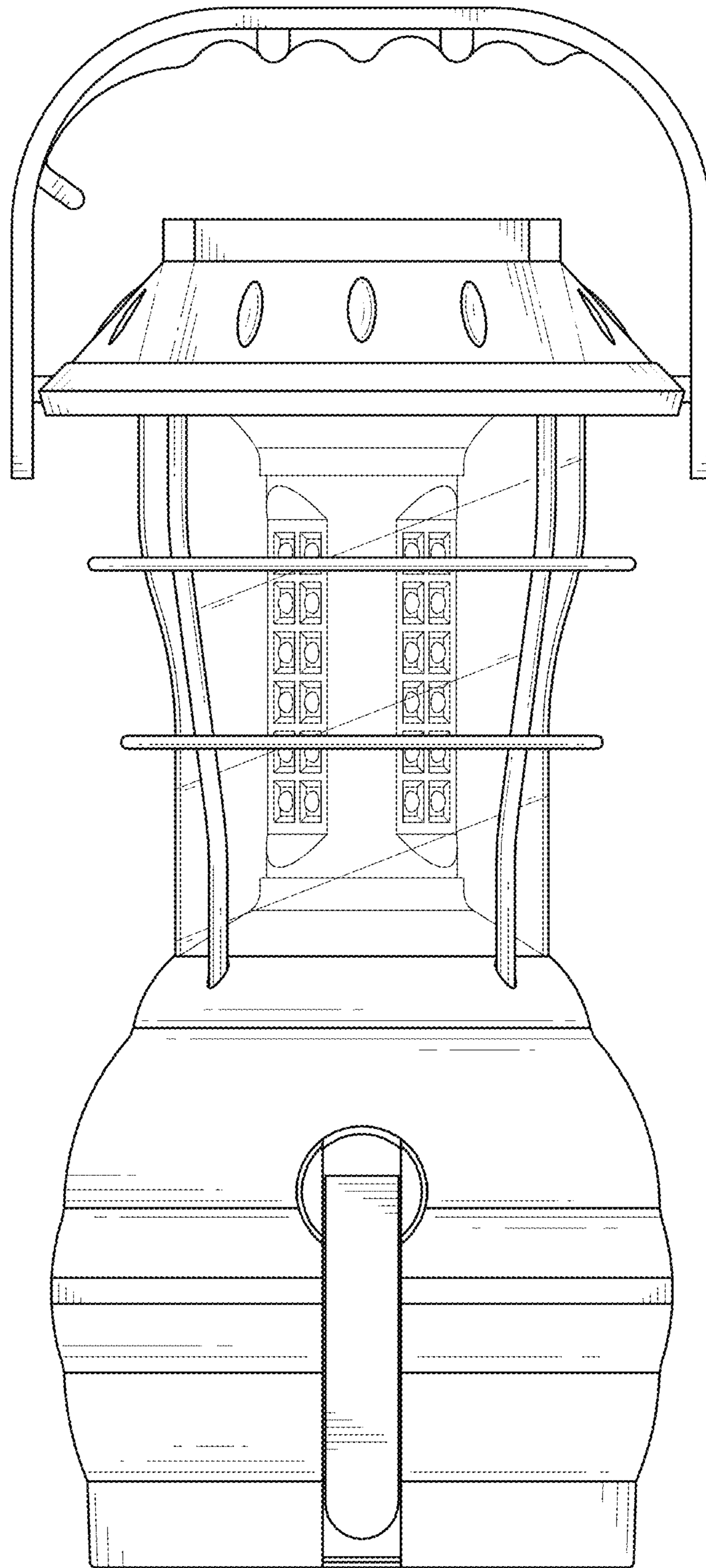


FIG. 4

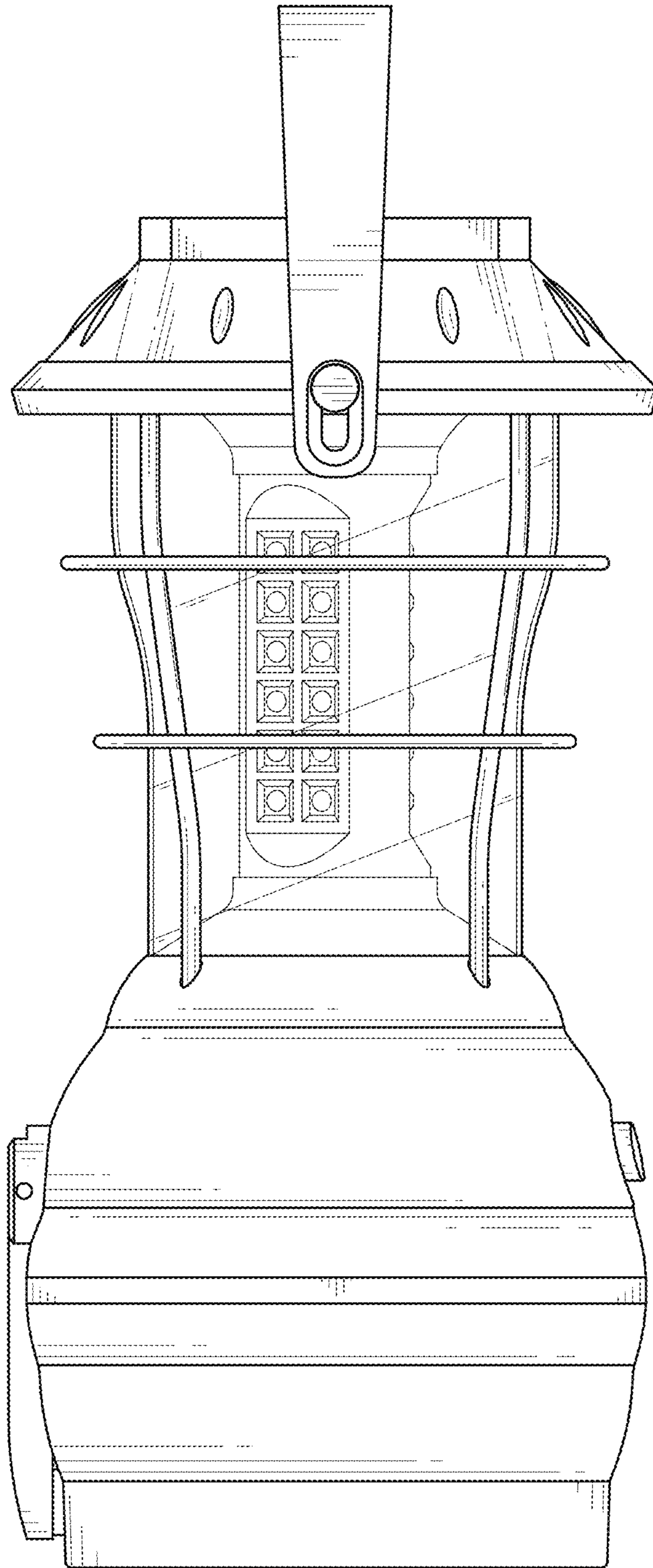


FIG. 5

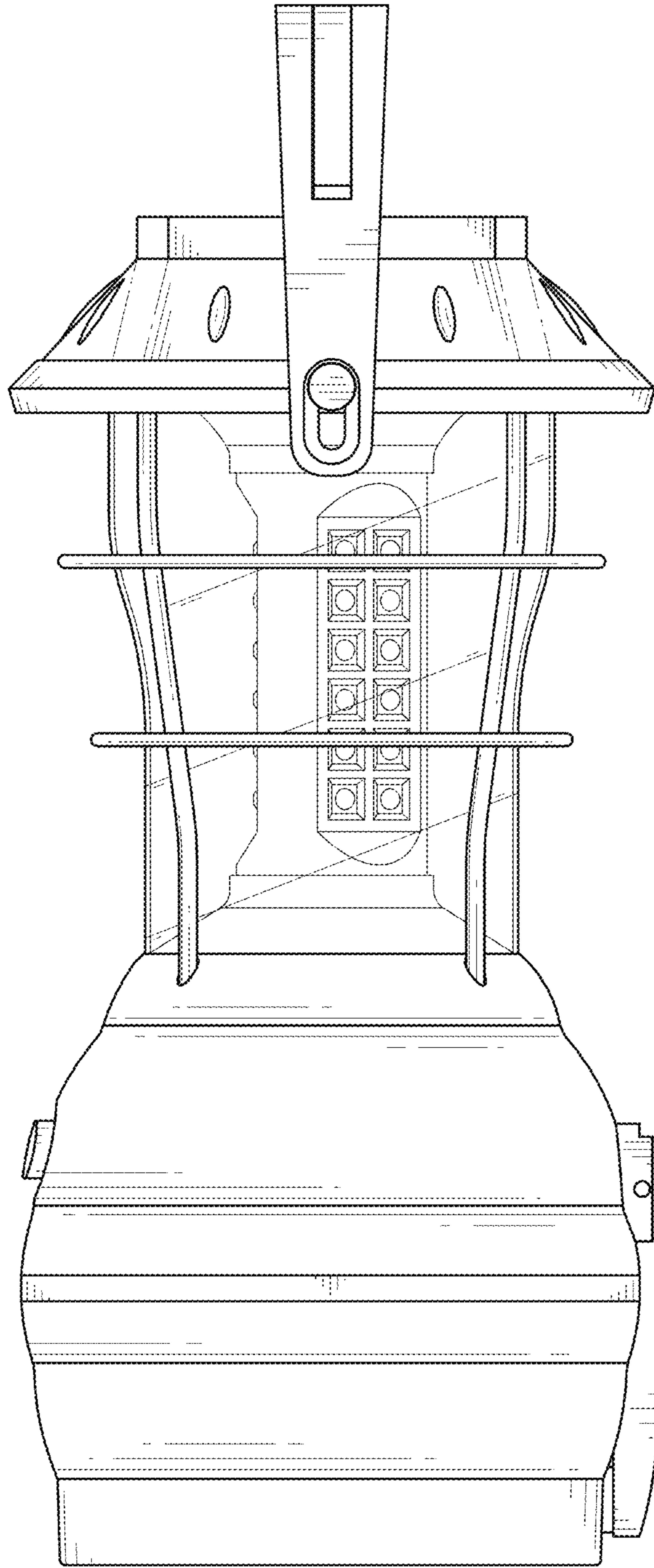


FIG. 6

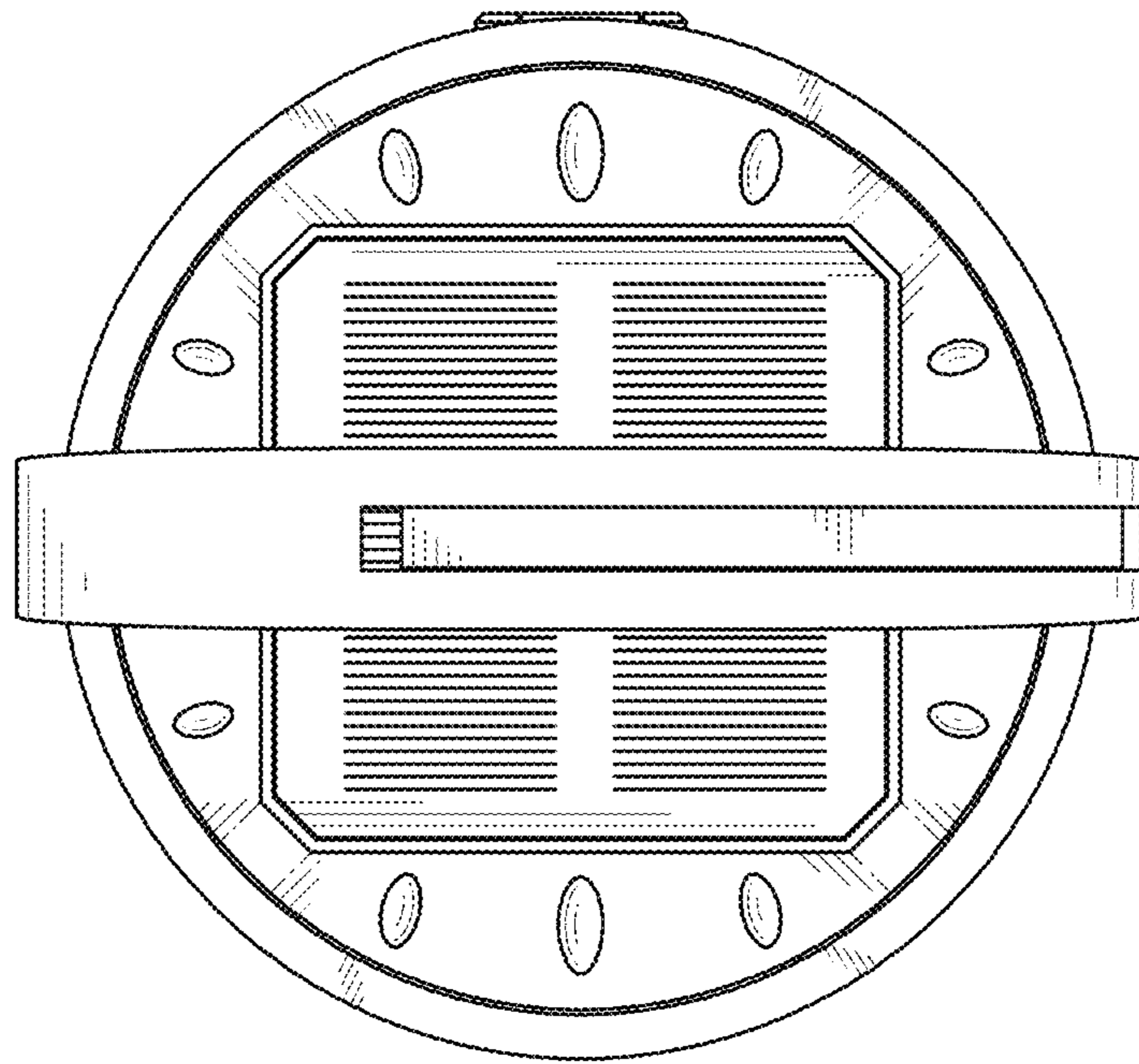


FIG. 7

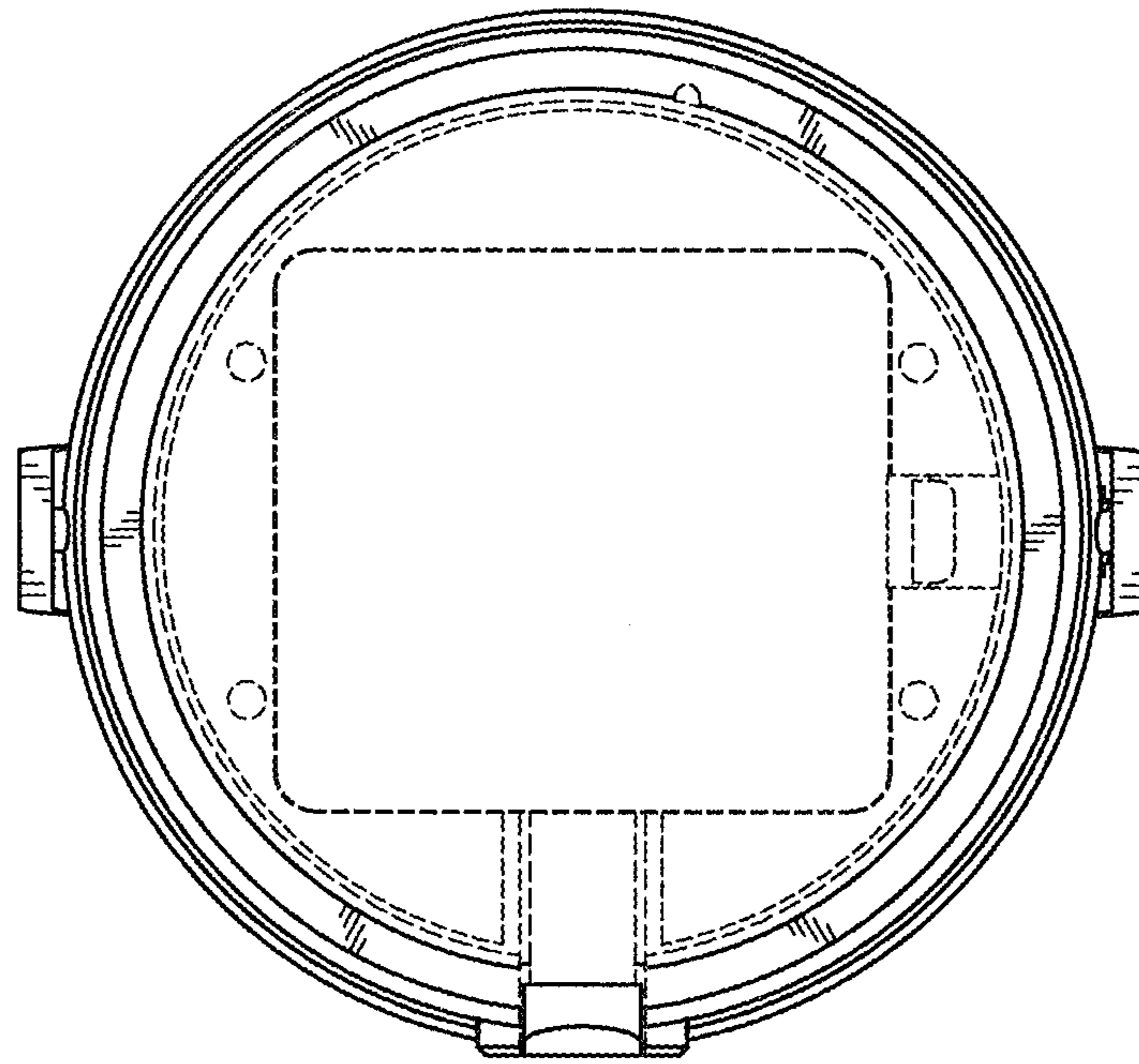


FIG. 8