



US00D816248S

(12) **United States Design Patent** (10) **Patent No.:** **US D816,248 S**
Antoniadis et al. (45) **Date of Patent:** **** Apr. 24, 2018**

(54) **TAILLIGHT FOR A VEHICLE**
 (71) Applicant: **Daimler AG**, Stuttgart (DE)
 (72) Inventors: **Apostolos Antoniadis**, Stuttgart (DE);
Achim-Dietrich Badstuebner, Munich (DE);
Stefan Handt, Stuttgart (DE);
Robert Lesnik, Leonberg (DE)

(73) Assignee: **Daimler AG**, Stuttgart (DE)

(**) Term: **15 Years**

(21) Appl. No.: **29/600,669**

(22) Filed: **Apr. 14, 2017**

(30) **Foreign Application Priority Data**

Oct. 17, 2016 (WO) DM/093337

(51) **LOC (11) Cl.** **26-06**

(52) **U.S. Cl.**
 USPC **D26/28**

(58) **Field of Classification Search**
 USPC D26/28-36; 362/80-83, 267-269,
 362/459-468, 475-478, 485-487
 CPC F21S 48/00; F21S 48/10; F21S 48/115;
 F21S 48/225; F21S 48/1233; F21S
 48/1266; F21S 48/1388; F21S 48/2268;
 F21V 21/04

See application file for complete search history.

(56) **References Cited**

U.S. PATENT DOCUMENTS

D506,277 S * 6/2005 Ito D26/28
 D523,978 S * 6/2006 Chuang D26/28

D542,949 S * 5/2007 Lin D26/28
 D566,306 S * 4/2008 Hsu D26/28
 D590,525 S * 4/2009 Yang D26/28
 D715,706 S 10/2014 Futschik et al.
 D716,698 S 11/2014 Futschik et al.
 D721,840 S 1/2015 Futschik et al.

* cited by examiner

Primary Examiner — Marcus Jackson

(74) *Attorney, Agent, or Firm* — Crowell & Moring LLP

(57) **CLAIM**

The ornamental design for a taillight for a vehicle, as shown and described.

DESCRIPTION

This application contains subject matter related to the following co-pending U.S. design patent application:

Application Ser. No. 29/600,670, filed herewith and entitled “Taillight for a Vehicle”.

FIG. 1 is a front view of a first embodiment of a taillight for a vehicle according to the design;

FIG. 2 is a top, front perspective view thereof;

FIG. 3 is a left side view thereof; and

FIG. 4 is a top view thereof.

FIG. 5 is a front view of the second embodiment of the taillight for a vehicle, with the taillight for a vehicle, for the opposite side of the vehicle being depicted in the first embodiment;

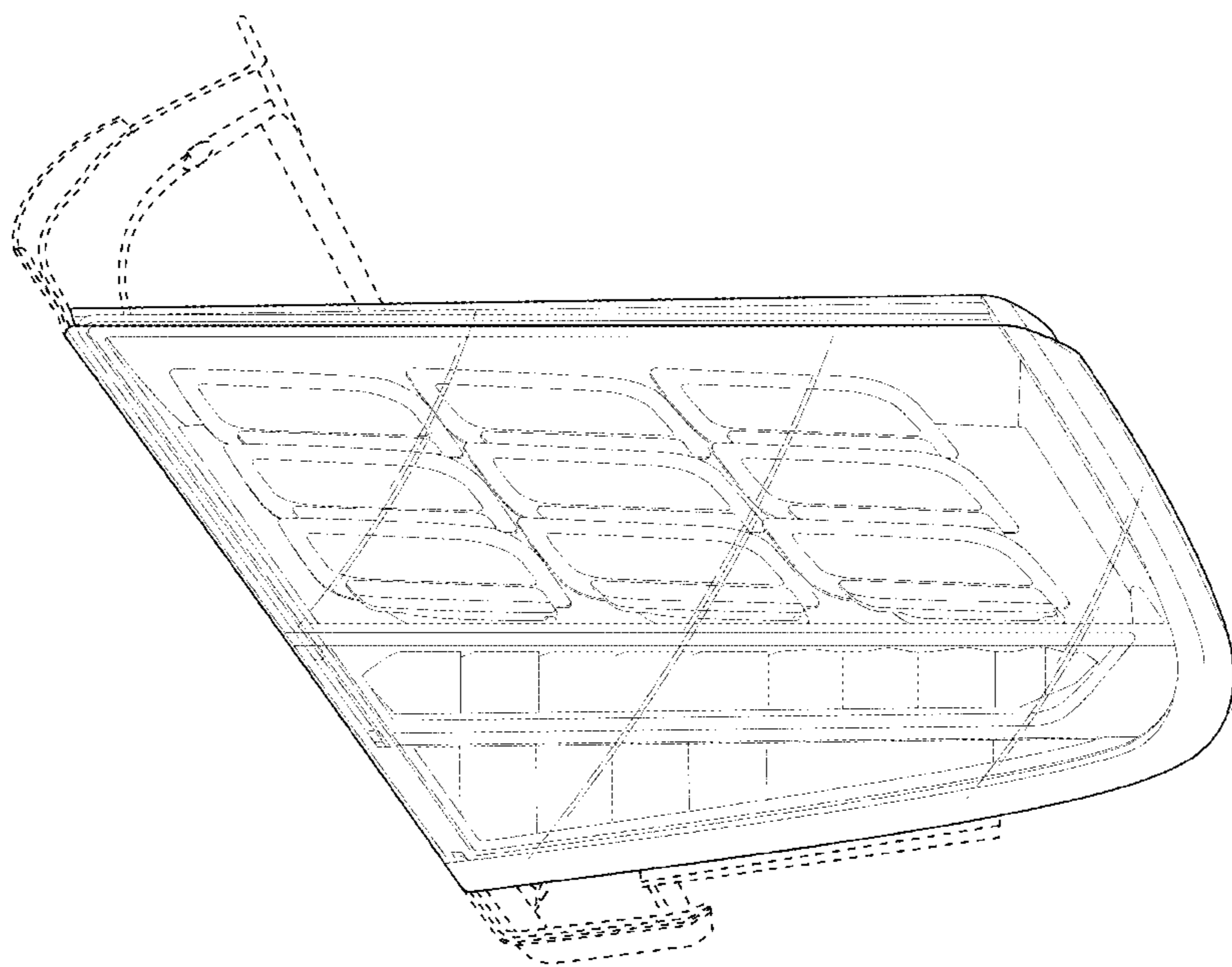
FIG. 6 is a top, front perspective view thereof;

FIG. 7 is a right side view thereof; and,

FIG. 8 is a top view thereof.

The broken lines in the drawings illustrate environmental subject matter only and form no part of the claimed design. Also enclosed is a set of photographs of an embodiment of the design.

1 Claim, 8 Drawing Sheets



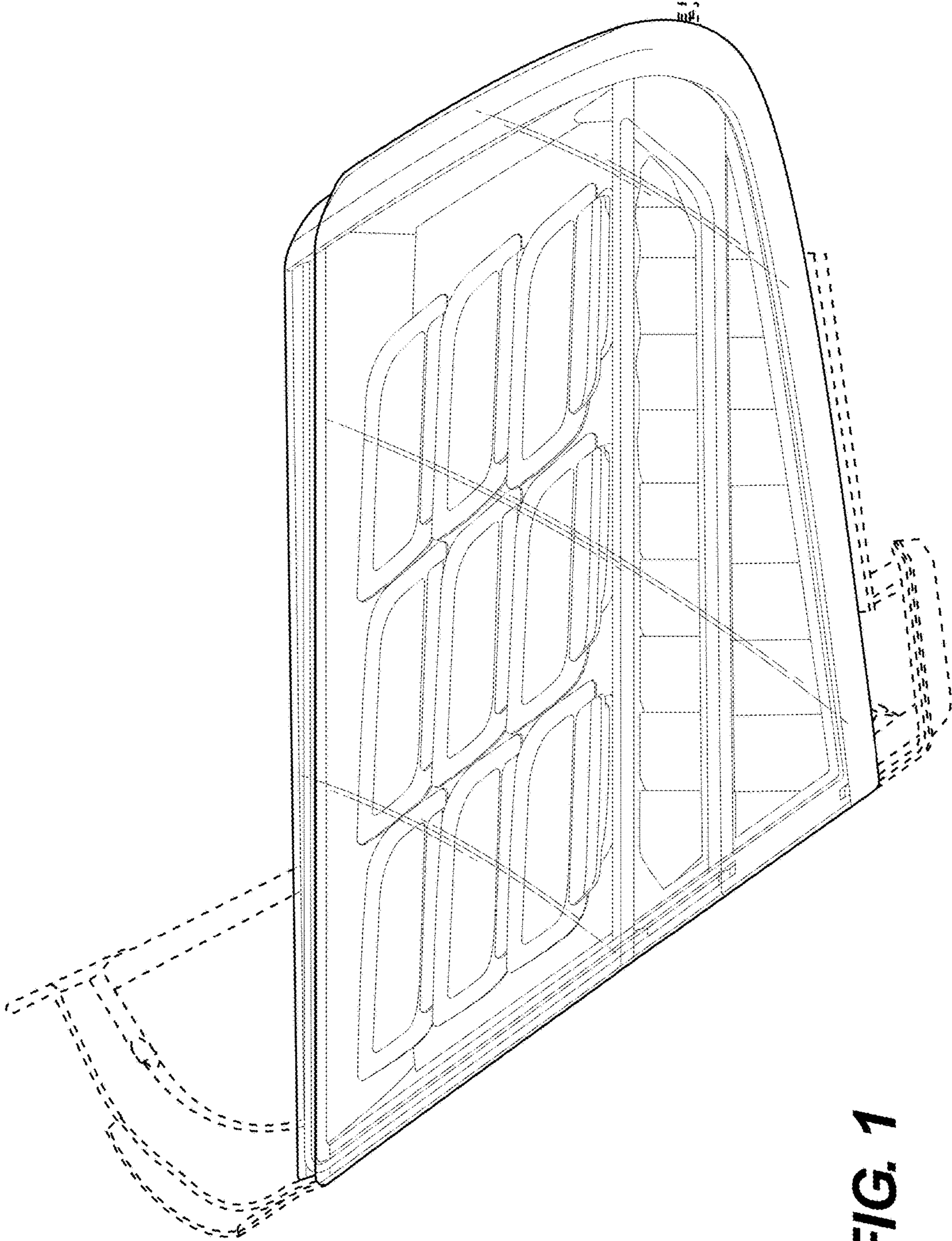


FIG. 1

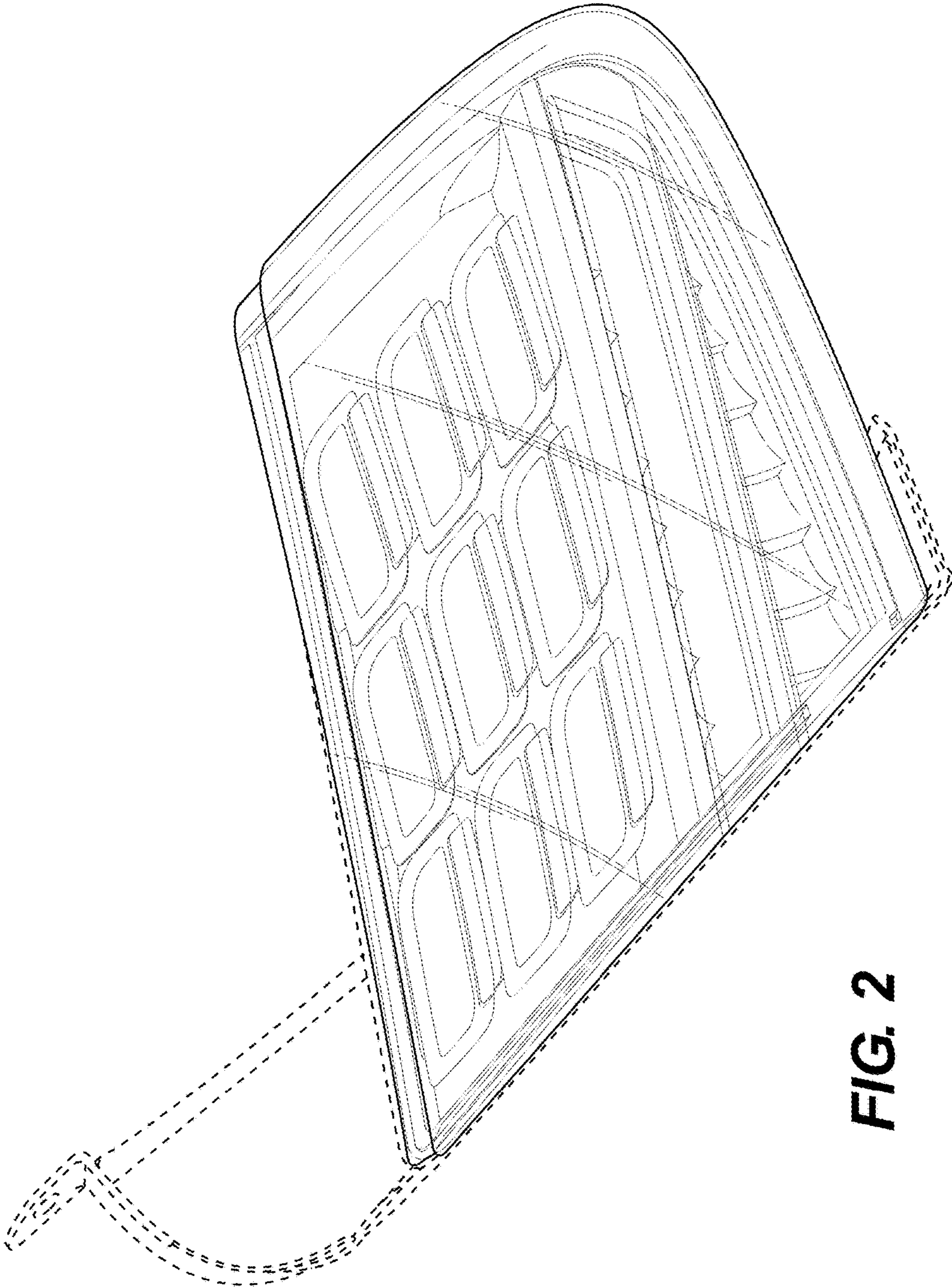


FIG. 2

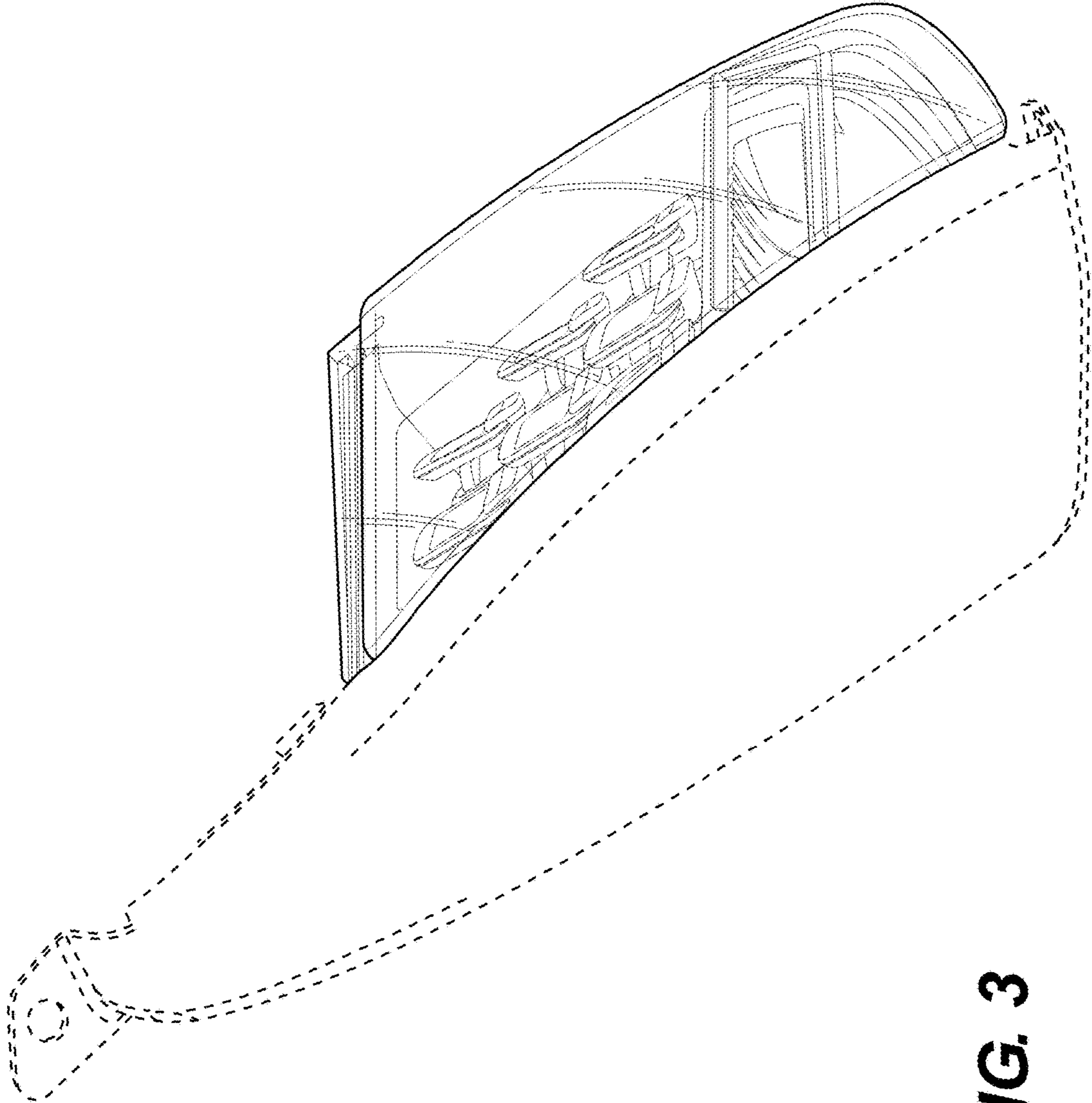
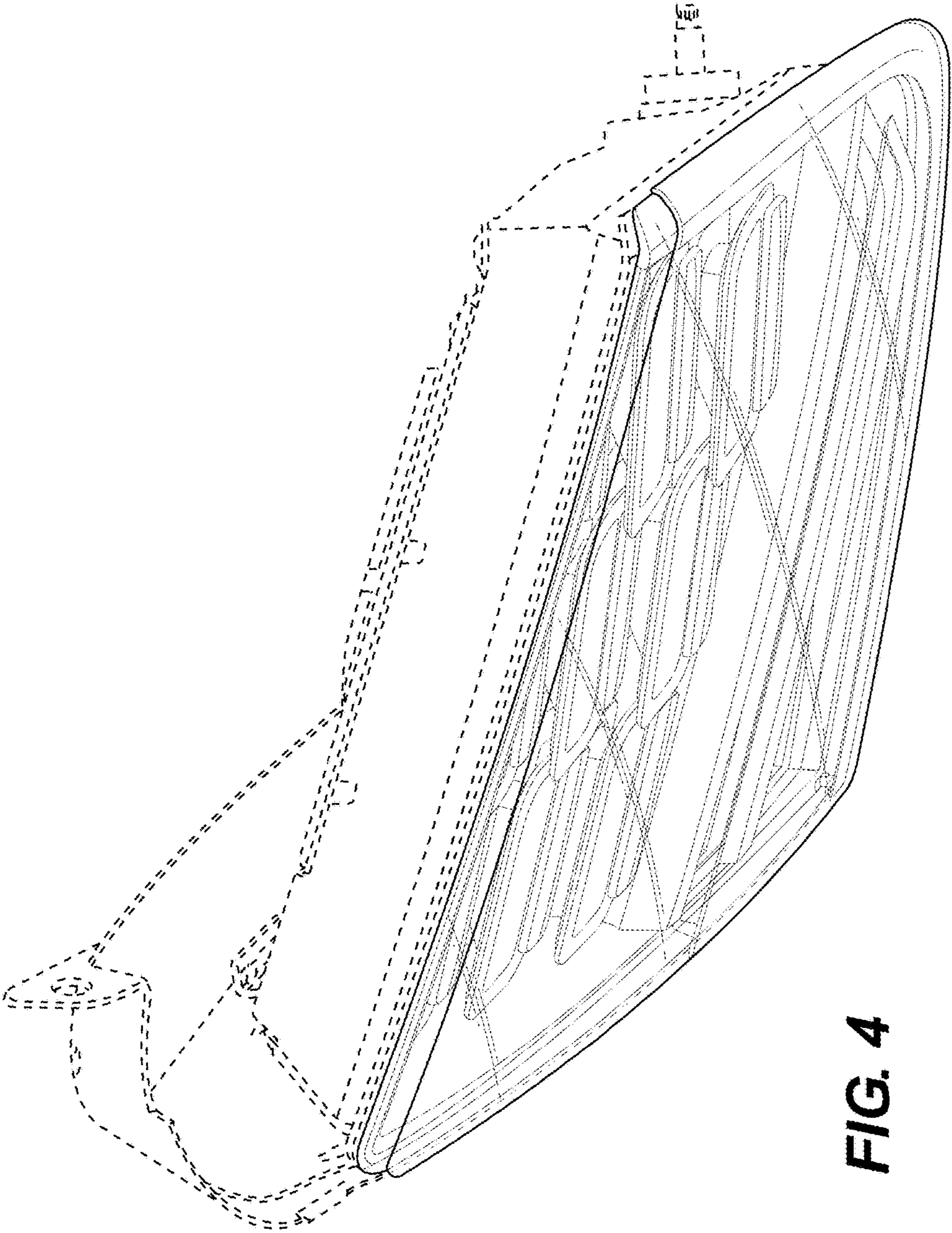


FIG. 3



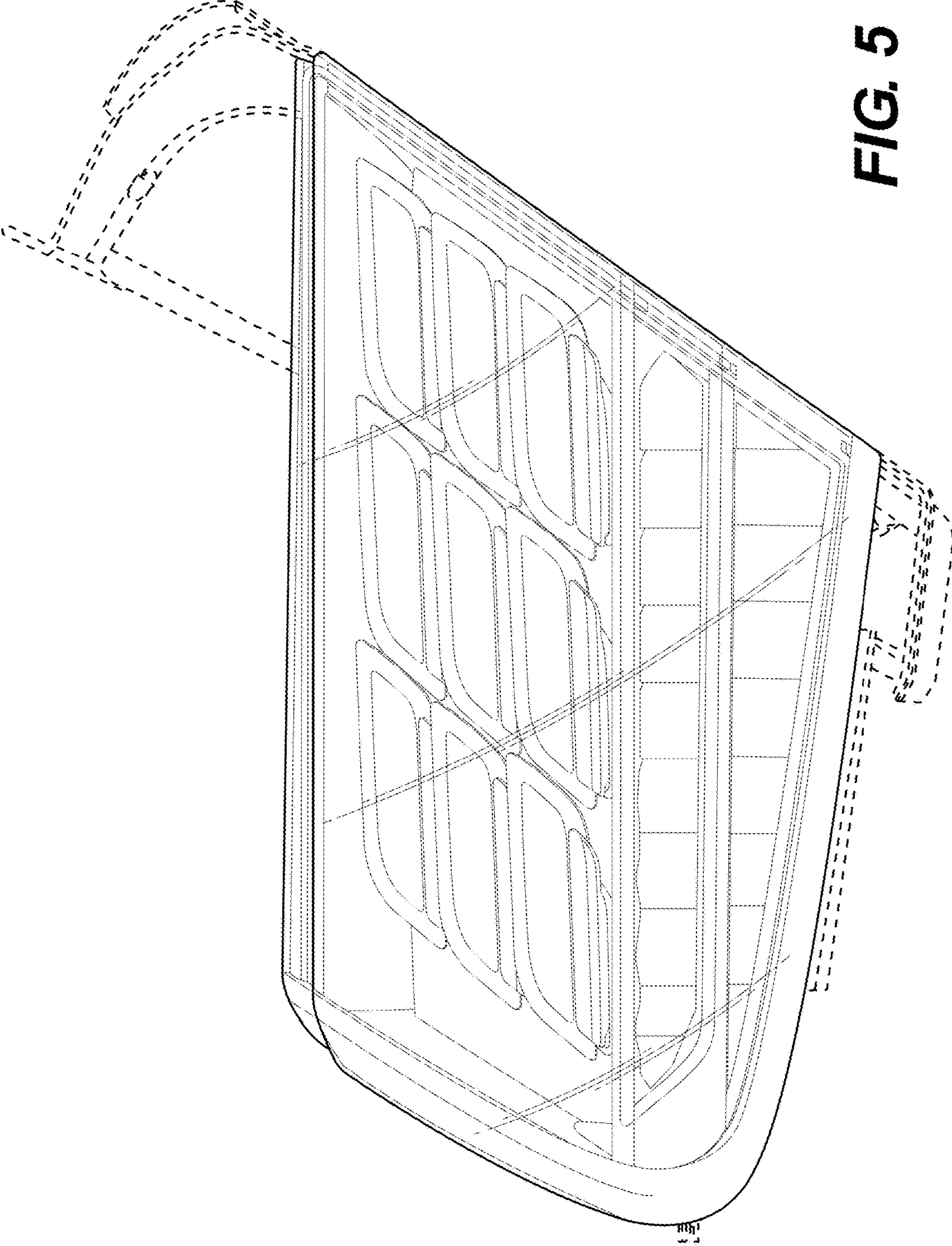


FIG. 5

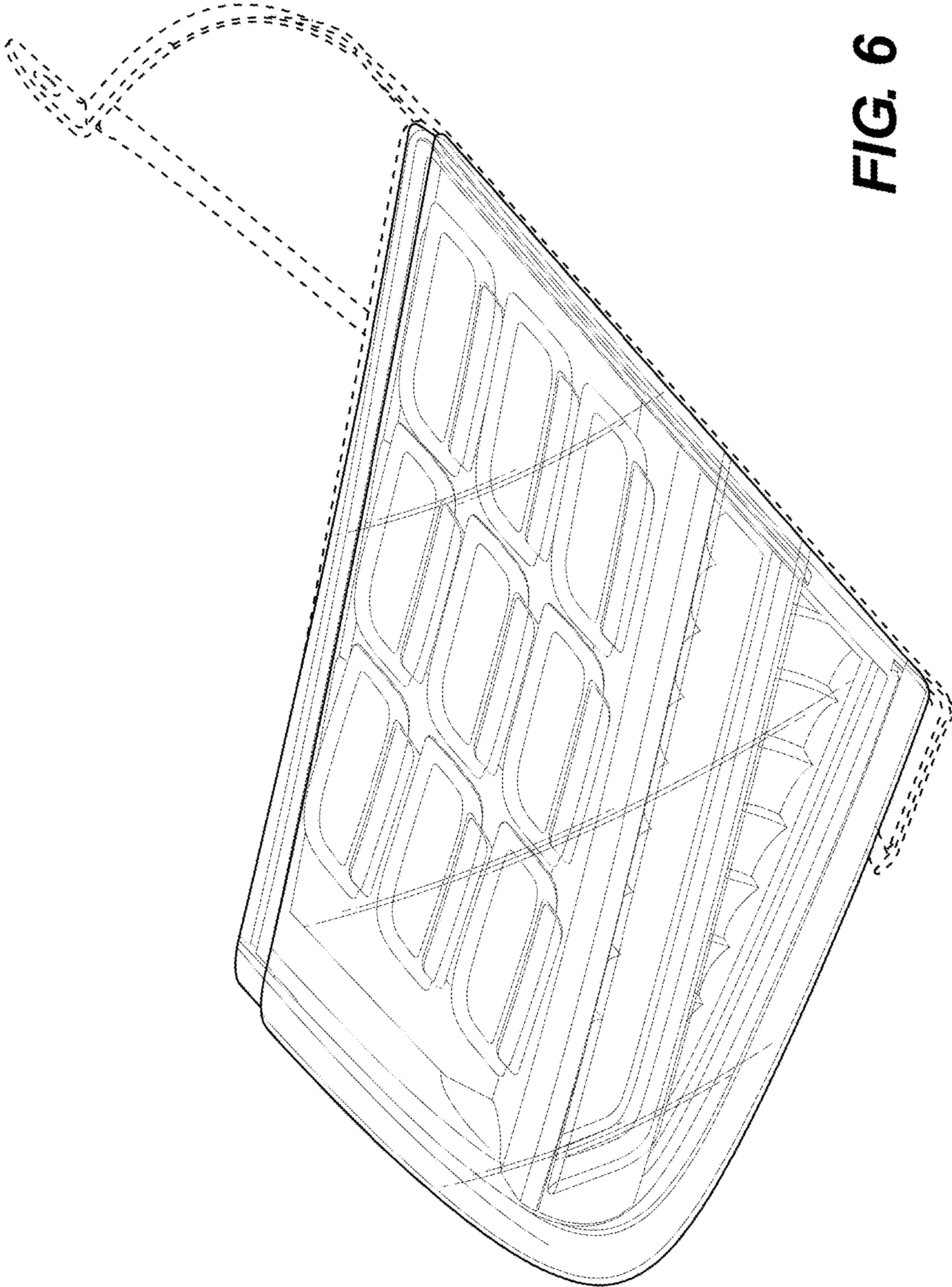
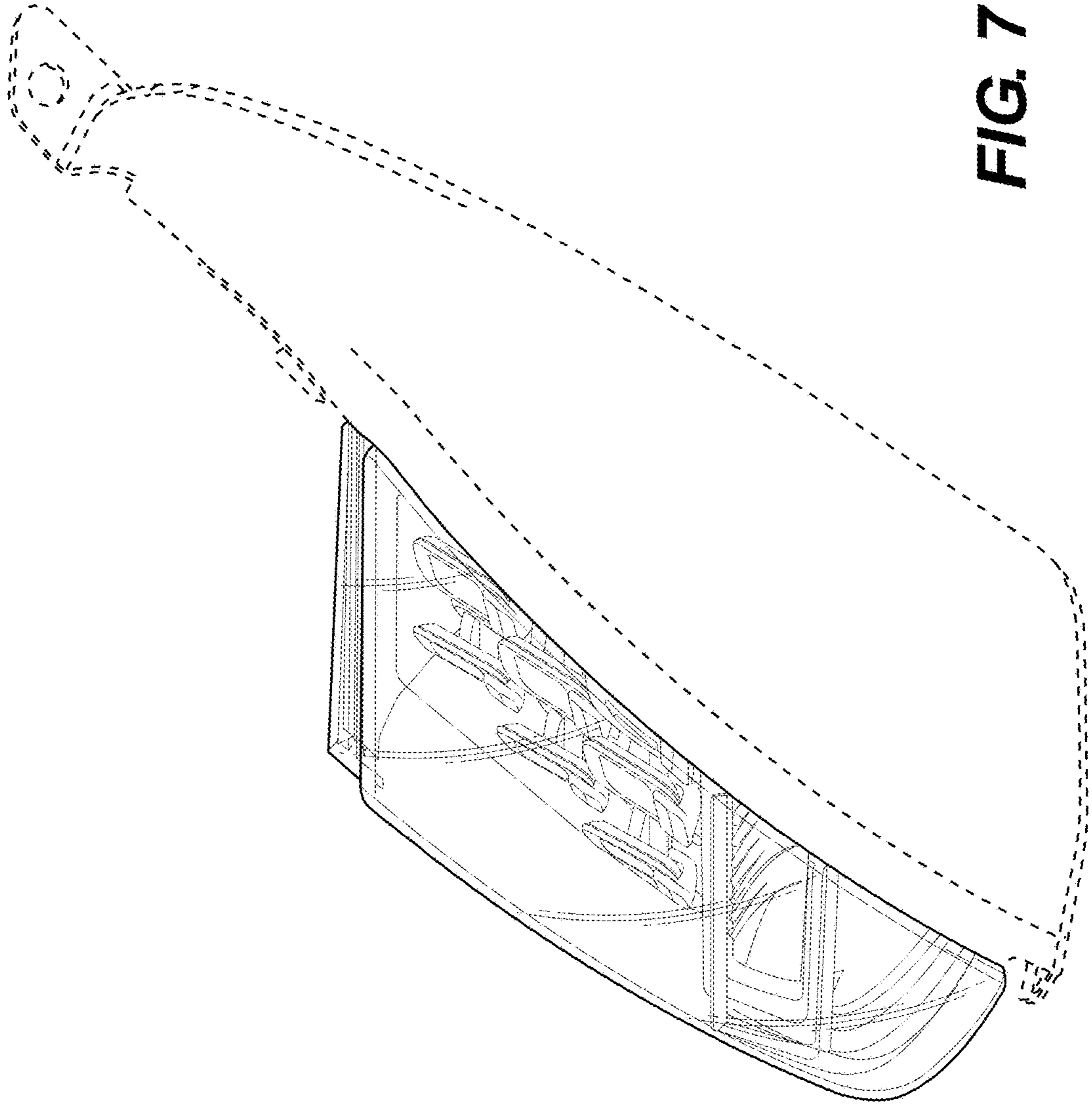


FIG. 6



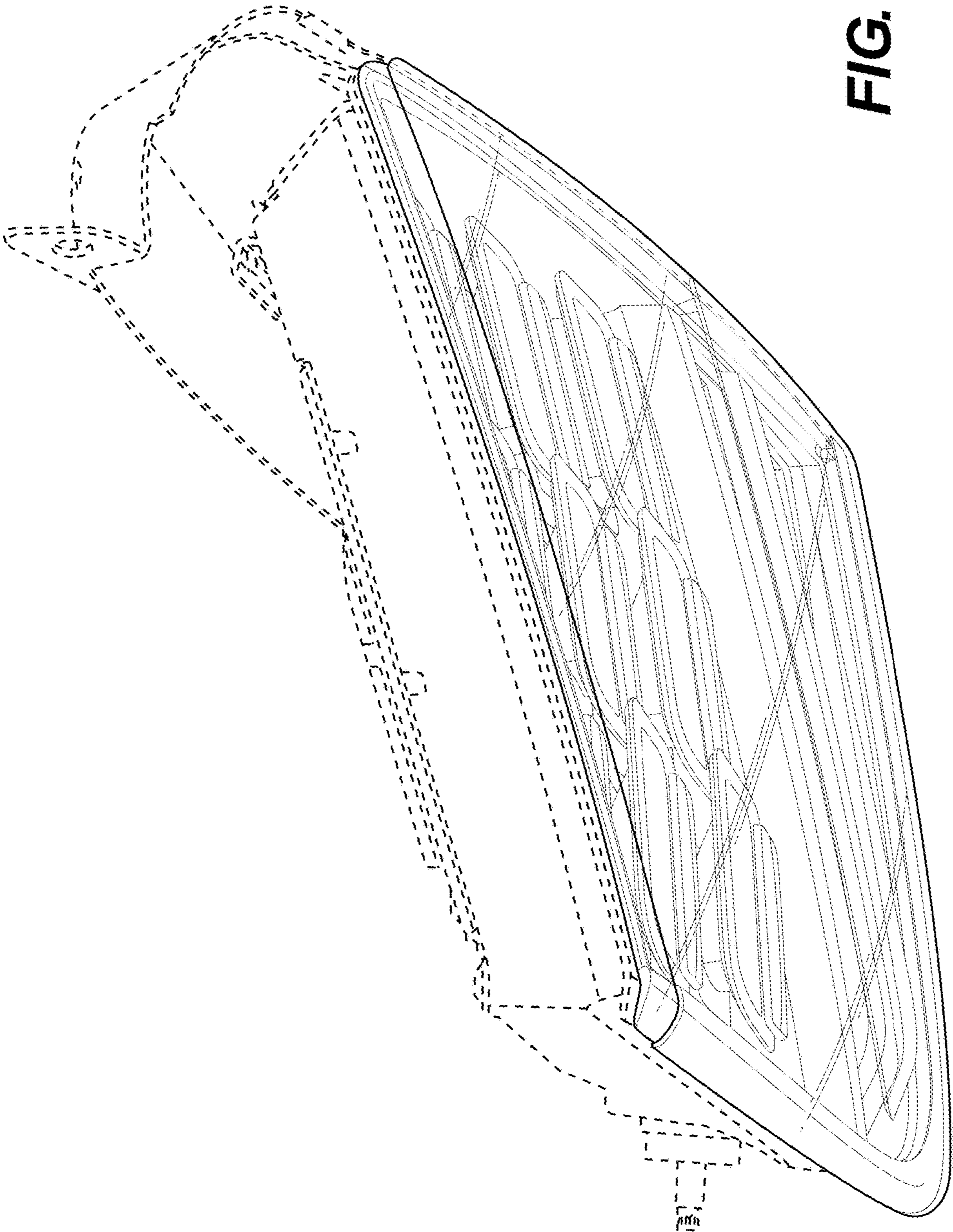


FIG. 8