



US00D816246S

(12) **United States Design Patent** (10) **Patent No.:** **US D816,246 S**  
**Hannemann** (45) **Date of Patent:** **\*\* Apr. 24, 2018**

(54) **TAILLIGHT FOR A VEHICLE**  
(71) Applicant: **Bayerische Motoren Werke Aktiengesellschaft, Munich (DE)**  
(72) Inventor: **Lisa Hannemann, Munich (DE)**  
(73) Assignee: **Bayerische Motoren Werke Aktiengesellschaft, Munich (DE)**

D793,590 S \* 8/2017 Kozub ..... D26/28  
D793,591 S \* 8/2017 Kozub ..... D26/28  
D794,843 S \* 8/2017 Han ..... D26/28  
D794,849 S \* 8/2017 Komuro ..... D26/28  
D794,850 S \* 8/2017 Kim ..... D26/28  
D795,473 S \* 8/2017 Fujiwara ..... D26/28  
D797,967 S \* 9/2017 Barry ..... D26/28  
D798,474 S \* 9/2017 Wheel ..... D26/28

(\*\*) Term: **15 Years**  
(21) Appl. No.: **29/594,699**  
(22) Filed: **Feb. 22, 2017**

**FOREIGN PATENT DOCUMENTS**

WO WO DM/088023 4/2016  
WO WO DM/092771 3/2017

(30) **Foreign Application Priority Data**

Aug. 23, 2016 (DE) ..... 40 2016 101 021

(51) **LOC (11) Cl.** ..... **26-07**  
(52) **U.S. Cl.**  
USPC ..... **D26/28**

\* cited by examiner

*Primary Examiner* — Angela J Lee

(74) *Attorney, Agent, or Firm* — Crowell & Moring LLP

(58) **Field of Classification Search**  
USPC ..... D26/28-36; 362/459-468, 475-478,  
362/485-487  
CPC ..... F21S 48/00; F21S 48/10; F21S 48/115;  
F21S 48/225; F21S 48/1233; F21S  
48/1266; F21S 48/1388; F21S 48/2268;  
F21V 21/04  
See application file for complete search history.

(57) **CLAIM**

The ornamental design for a taillight for a vehicle, as shown and described.

(56) **References Cited**

**U.S. PATENT DOCUMENTS**

D720,484 S \* 12/2014 Nordmann ..... D26/28  
D760,410 S \* 6/2016 Arroba ..... D26/28  
D765,289 S \* 8/2016 Luk ..... D26/28  
D767,803 S \* 9/2016 Faghihzadeh ..... D26/28  
D777,960 S \* 1/2017 Han ..... D26/28

**DESCRIPTION**

This application contains subject matter related to the following co-pending U.S. design patent application:

Application Ser. No. 29/594,683, filed herewith and entitled "Vehicle, Toy, and/or Replicas Thereof".

FIG. 1 is a front view of a taillight for a vehicle according to the design;

FIG. 2 is a left perspective view thereof;

FIG. 3 is a right perspective view thereof;

FIG. 4 is a left side view thereof;

FIG. 5 is a right side view thereof;

FIG. 6 is a top view thereof;

FIG. 7 is a bottom view thereof; and,

FIG. 8 is a rear view thereof.

**1 Claim, 8 Drawing Sheets**



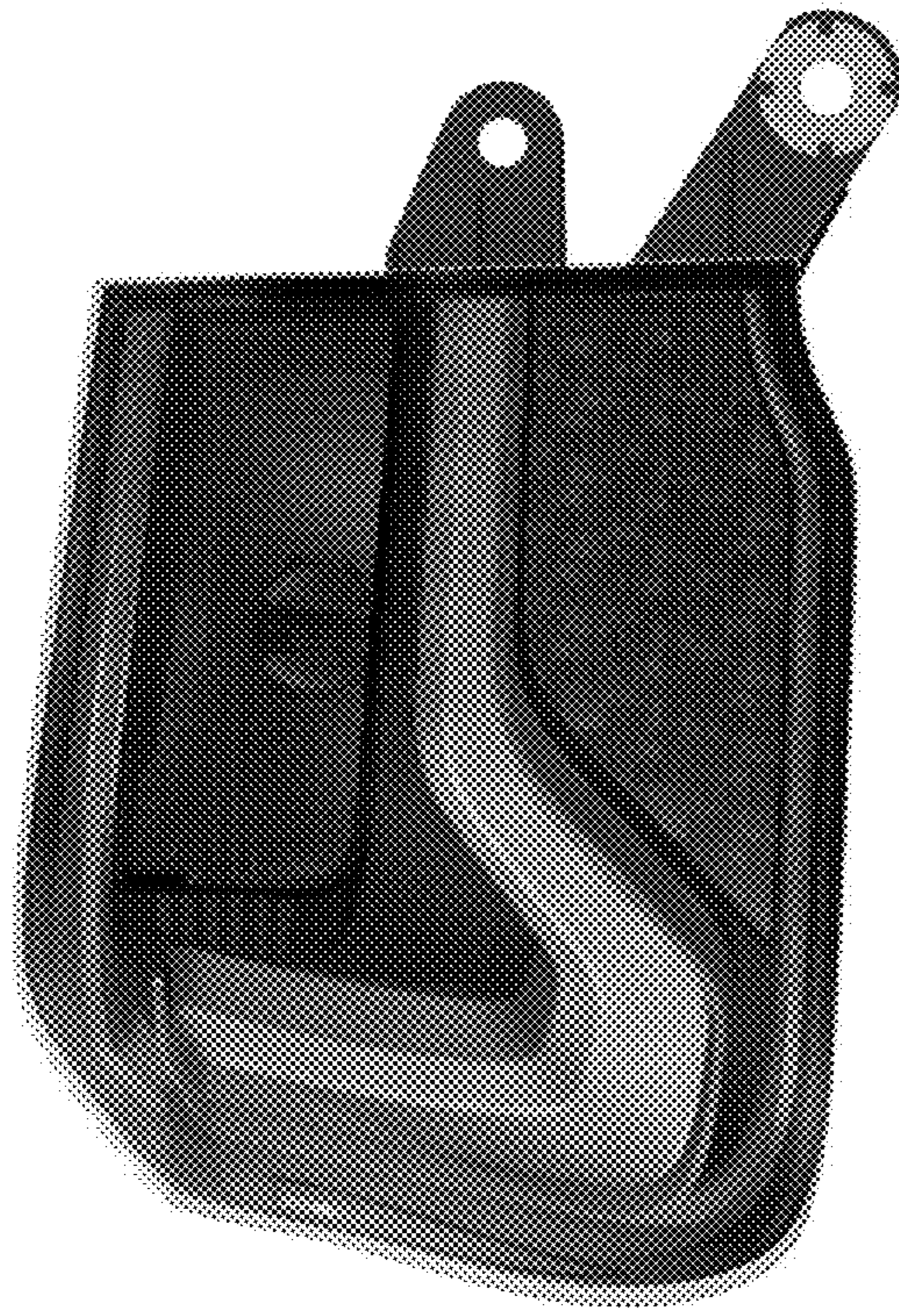


Fig. 1

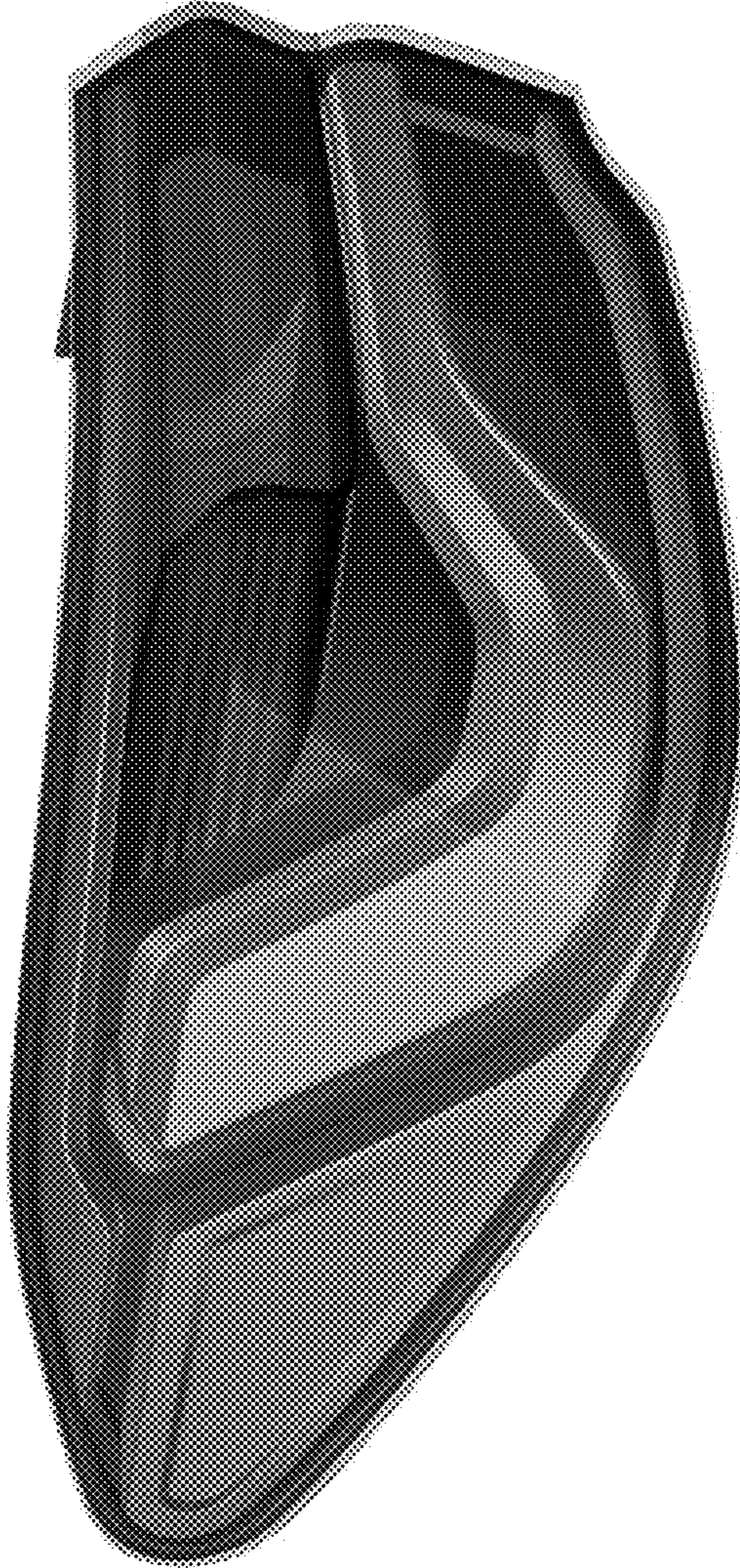


Fig. 2



Fig. 3

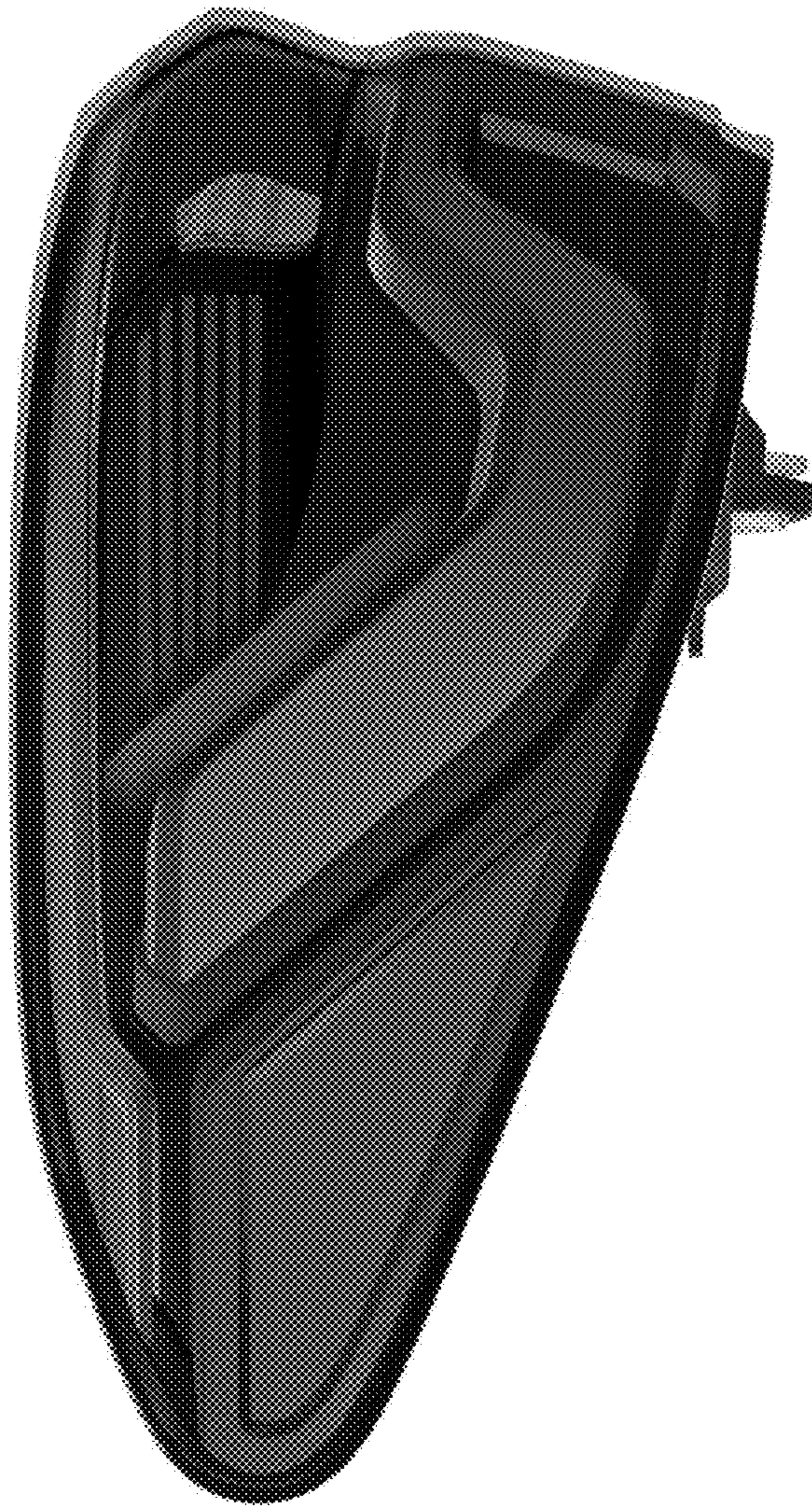


Fig. 4

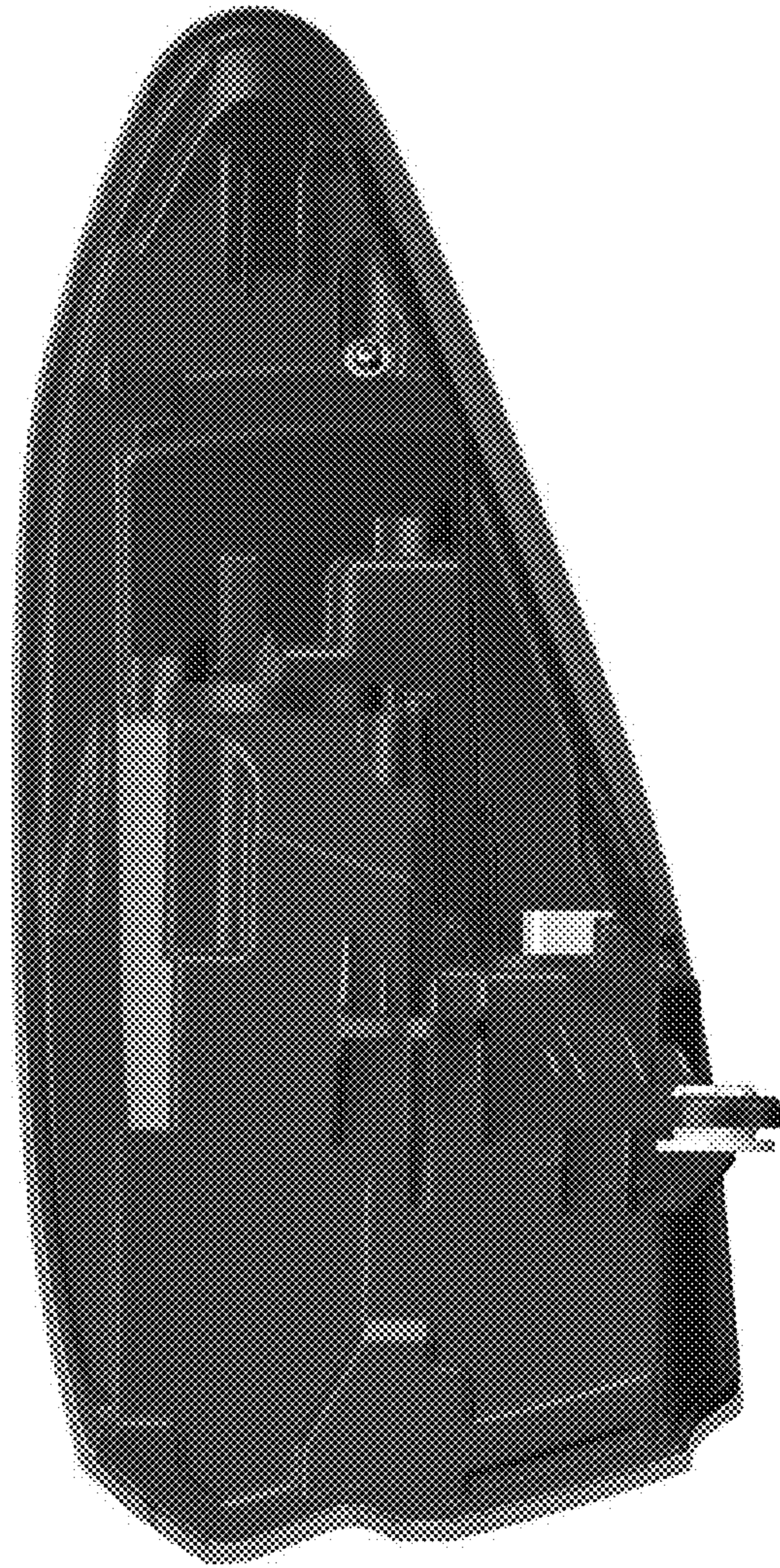


Fig. 5

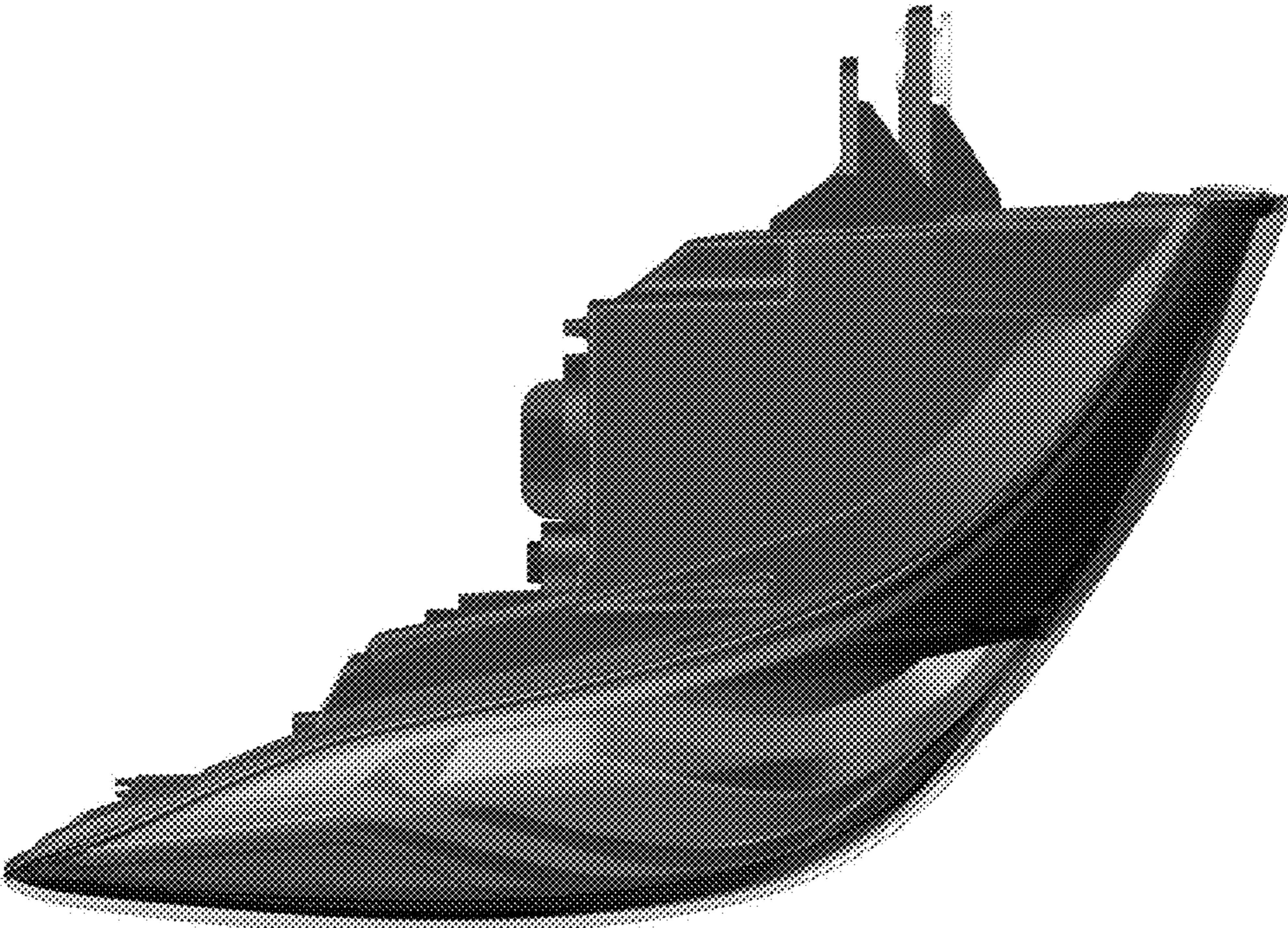


Fig. 6

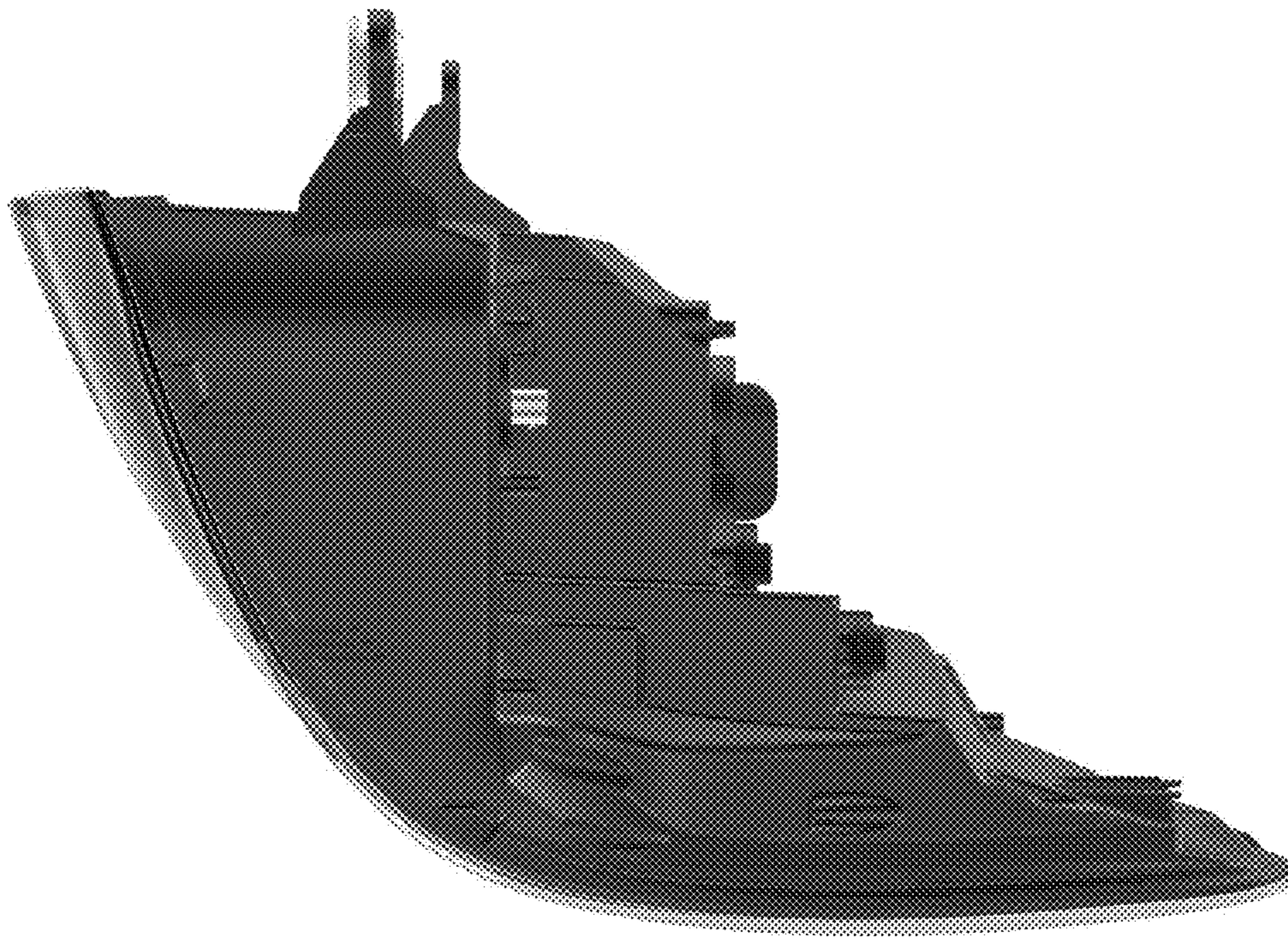


Fig. 7



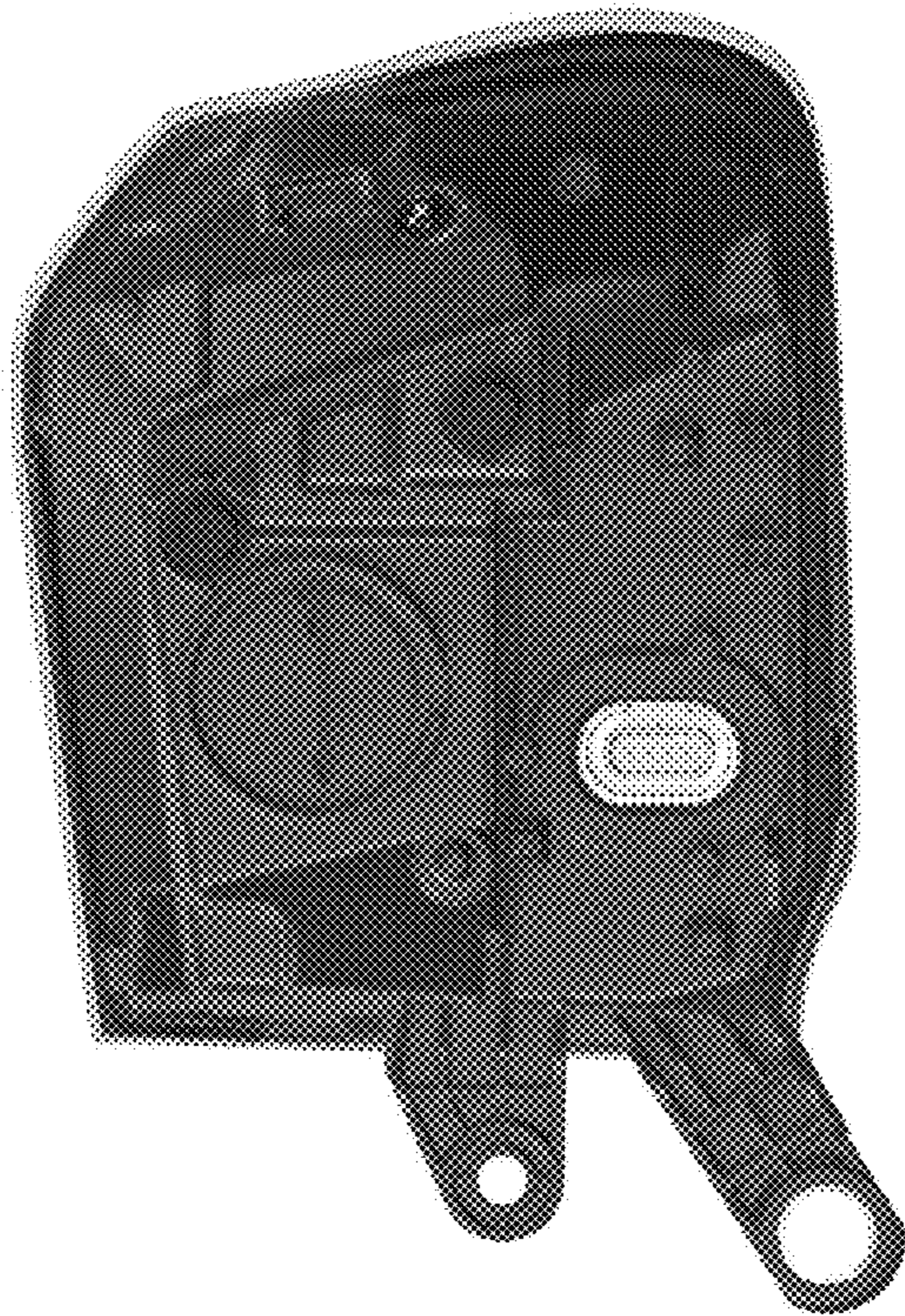


Fig. 8