



US00D816244S

(12) **United States Design Patent**  
**Mayer et al.**

(10) **Patent No.:** **US D816,244 S**  
(45) **Date of Patent:** **\*\* Apr. 24, 2018**

(54) **PRIVACY POD**

(71) Applicant: **Mamava Inc.**, Burlington, VT (US)

(72) Inventors: **Sascha Mayer**, Williston, VT (US);  
**David Jaacks**, Brownsville, VT (US)

(73) Assignee: **Mamava, Inc.**, Burlington, VT (US)

(\*\*) Term: **15 Years**

(21) Appl. No.: **29/587,153**

(22) Filed: **Dec. 9, 2016**

(51) **LOC (11) Cl.** ..... **25-03**

(52) **U.S. Cl.**  
USPC ..... **D25/16**

(58) **Field of Classification Search**  
USPC ..... D25/1, 3, 4, 5, 6, 14, 15, 17, 18, 20, 24,  
D25/26, 32-33, 35, 56; 52/79.1; 4/620;  
D23/283  
CPC ..... E04H 1/00-1/1277; E04H 15/44  
See application file for complete search history.

(56) **References Cited**

U.S. PATENT DOCUMENTS

D245,706 S *	9/1977	McAllister	.....	D25/1
D288,610 S *	3/1987	Barber	.....	D25/1
D367,687 S *	3/1996	Carter	.....	D25/16
5,533,305 A *	7/1996	Bielecki	.....	E04H 1/1277 52/79.1
D731,077 S *	6/2015	Lehmann	.....	D25/16
D768,874 S *	10/2016	Walter	.....	D25/16

D788,318 S *	5/2017	Jennings	.....	D25/16
2002/0194796 A1 *	12/2002	Kress	.....	E04B 5/026 52/79.1
2013/0067834 A1 *	3/2013	Downey	.....	E04H 1/125 52/173.1
2017/0268246 A1 *	9/2017	Schimmel	.....	E04H 1/1216

OTHER PUBLICATIONS

U.S. Appl. No. 29/544,103, Mamava, Sascha Mayer.  
Mamava website: <http://mamava.com/mamava-lactation-suite/Images> throughout, first published May 2013.

\* cited by examiner

*Primary Examiner* — Susan Bennett Hattan

*Assistant Examiner* — Brett Miller

(74) *Attorney, Agent, or Firm* — Alan Coté; GMI, LLC

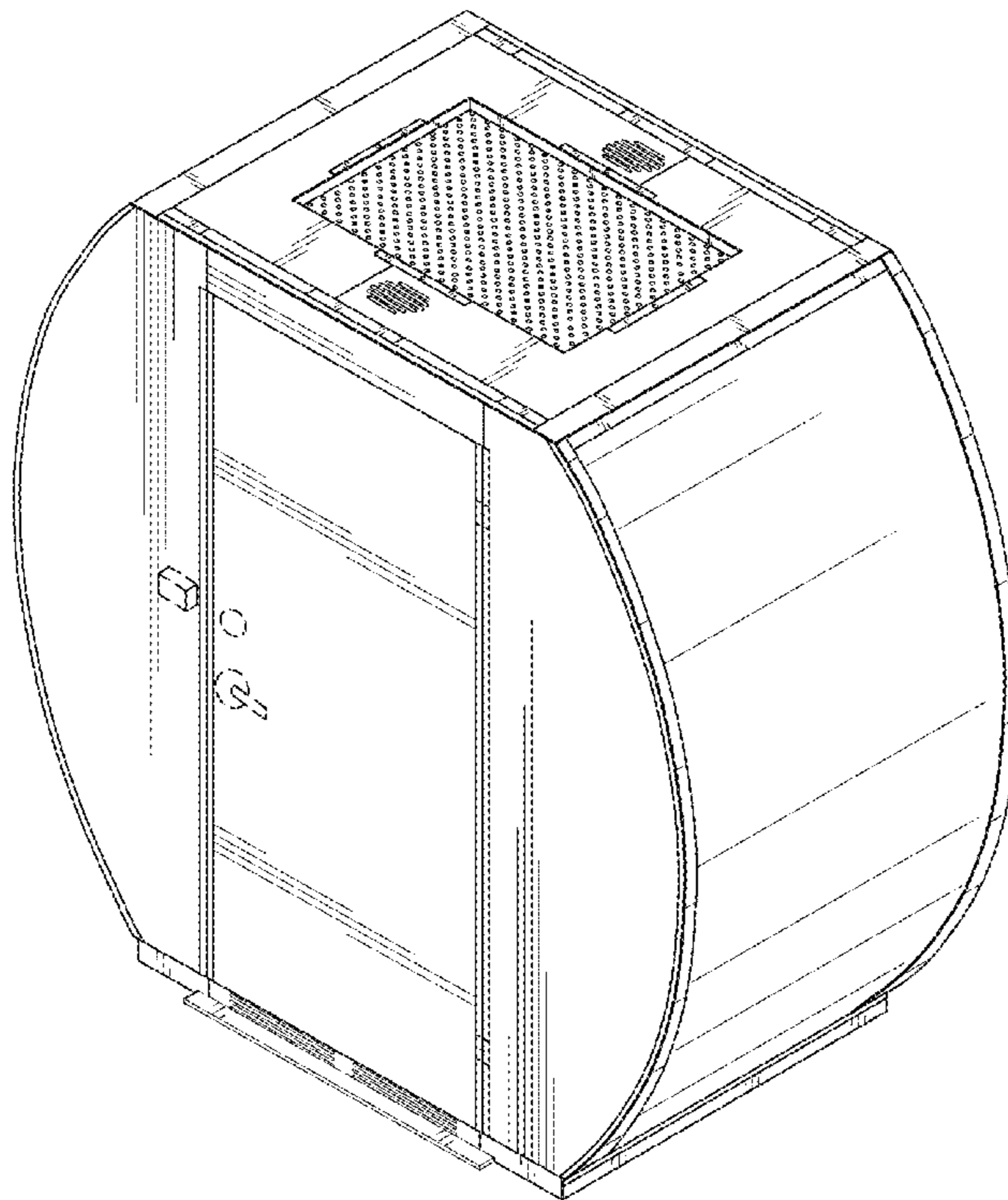
(57) **CLAIM**

The ornamental design for a privacy pod, as shown and described.

**DESCRIPTION**

FIG. 1 is a front perspective view of a privacy pod, FIG. 2 is a front elevation view thereof, FIG. 3 is a left end view thereof; and, FIG. 4 is a top view thereof top view thereof. The broken lines depict environment and form no part of the claim.

**1 Claim, 3 Drawing Sheets**



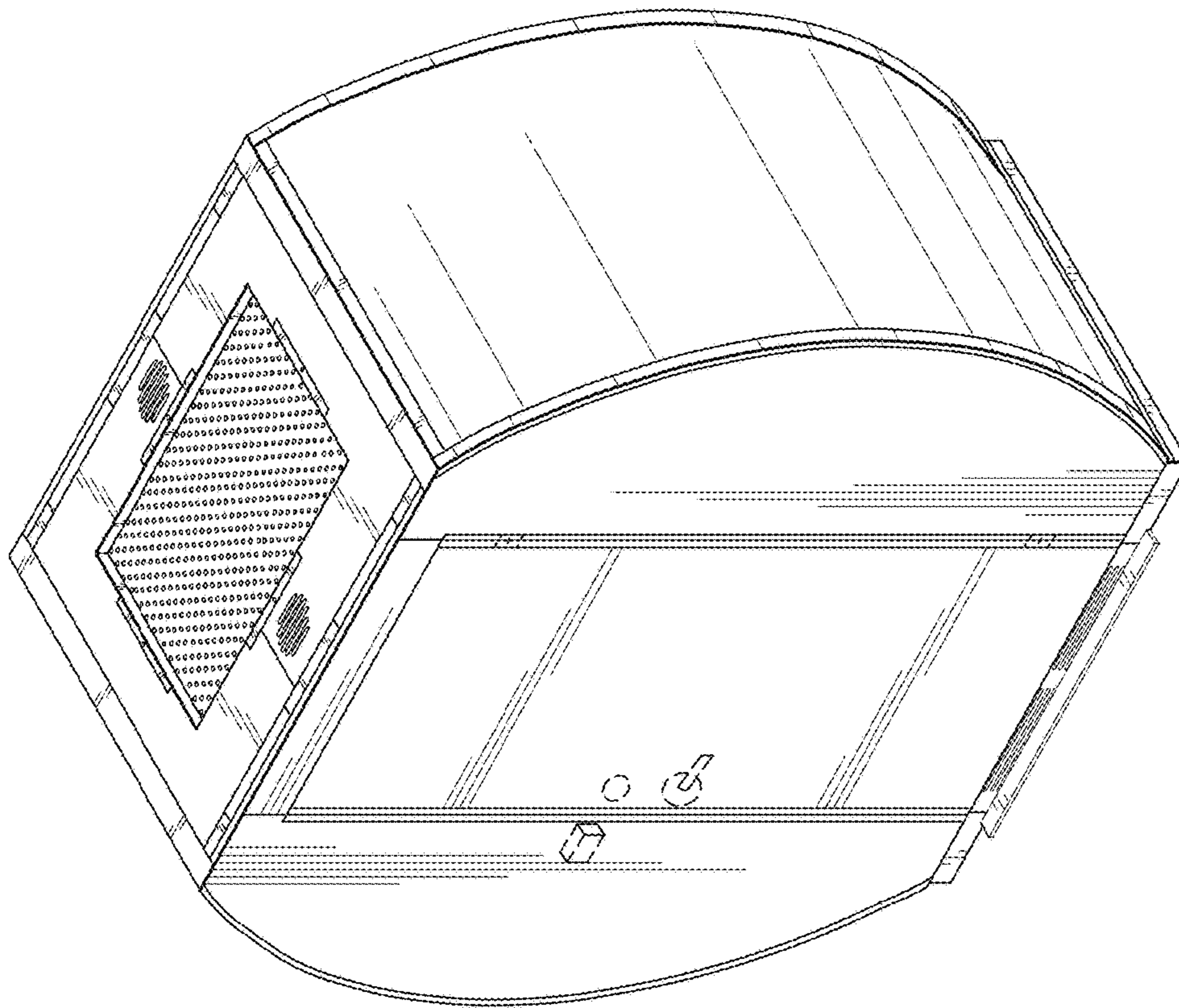
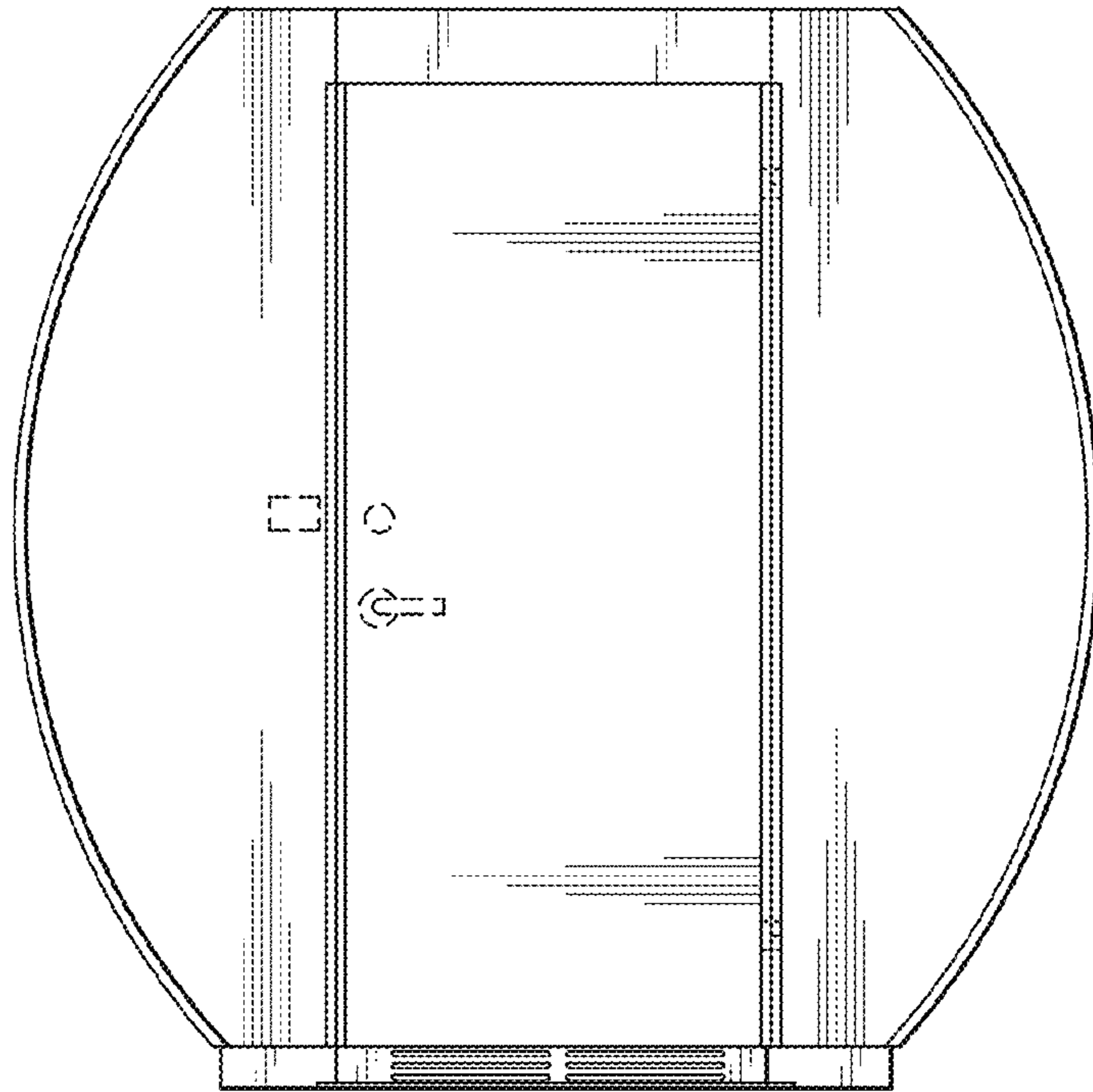
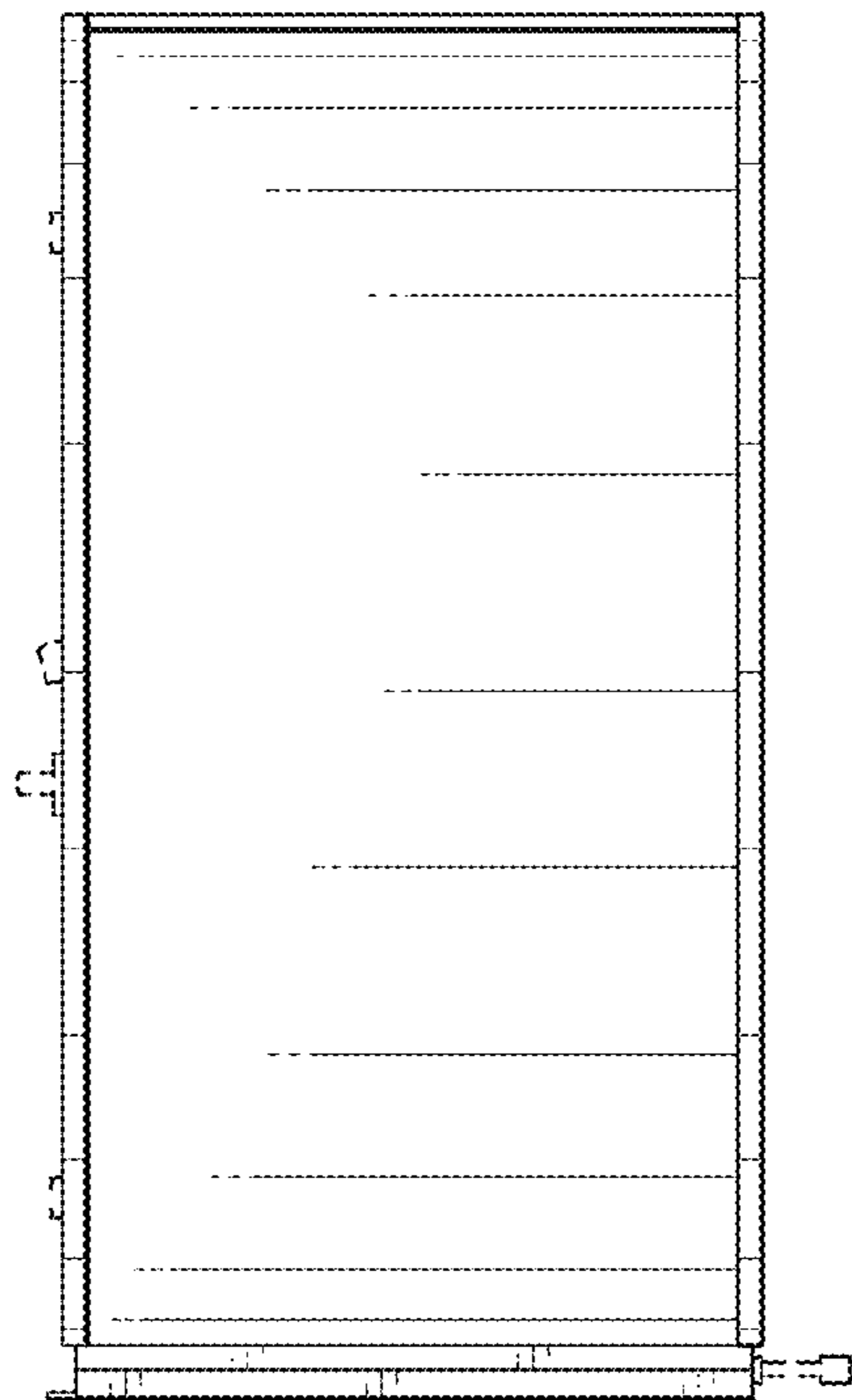


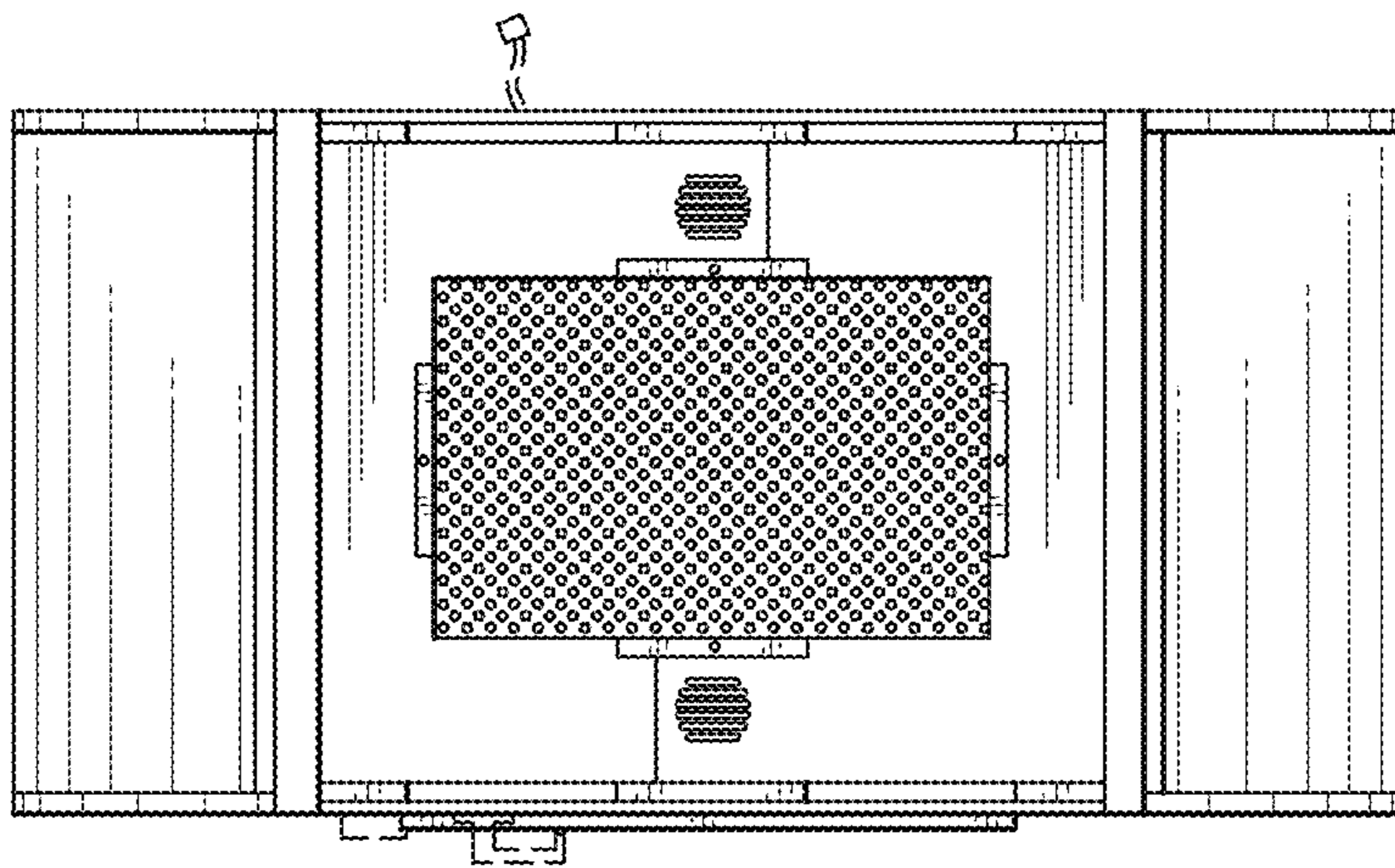
FIG. 1



**FIG. 2**



**FIG. 3**



**FIG. 4**