



US00D816237S

(12) **United States Design Patent**
Roberts

(10) **Patent No.:** **US D816,237 S**
(45) **Date of Patent:** **** Apr. 24, 2018**

- (54) **MEDICAL PACK**
- (71) Applicant: **Suzanne Yvonne Roberts**, Brooklyn, NY (US)
- (72) Inventor: **Suzanne Yvonne Roberts**, Brooklyn, NY (US)
- (**) Term: **15 Years**
- (21) Appl. No.: **29/577,398**
- (22) Filed: **Sep. 13, 2016**
- (51) **LOC (11) Cl.** **24-04**
- (52) **U.S. Cl.**
USPC **D24/207**
- (58) **Field of Classification Search**
USPC D24/114, 118, 124–126, 130, 133, 135, D24/171, 190, 191, 200, 202, 205–208; D3/215, 221, 224, 226, 231, 303; D9/707; 482/10, 106, 127; 602/1–3, 14, 602/41, 48, 53, 56, 75
CPC A61F 13/00; A61F 13/14; A61F 13/15; A61F 13/20; A61F 13/47; A61F 13/531; A61F 7/00; A61F 7/02; A61F 7/08; A61F 7/10; A61F 7/086; A61F 7/103; A61F 2007/023; A61F 2007/105; A61F 2007/108; A61F 2007/0001; A61F 2007/0238; A61F 2007/0268; A61F 2007/0295; A61F 2007/0011; A61F 2007/0035; A61F 2007/0044; A61F 2007/0039; A61F 2007/0041; A61F 2007/0043; A61F 2007/0228; A61F 2007/0231; A61F 2007/0277; A61H 36/00; A41D 20/00; A41D 20/005
See application file for complete search history.

4,964,402 A	10/1990	Grim et al.	
D327,329 S *	6/1992	Hubbard	D24/206
D328,792 S *	8/1992	Salmon	D24/206
5,167,655 A	12/1992	McCoy	
D369,218 S *	4/1996	Vandenbelt	D24/183
5,534,020 A	7/1996	Cheney, III et al.	
D395,357 S *	6/1998	Bader	D3/215
5,935,595 A	8/1999	Steen	
6,038,703 A	3/2000	Chung	
6,096,067 A	8/2000	Cramer et al.	
6,308,341 B1	10/2001	Shelton	
D459,000 S	6/2002	Smith et al.	
D460,257 S *	7/2002	Williams	D3/226
6,927,316 B1	8/2005	Faries, Jr. et al.	
D556,333 S *	11/2007	Hoffman	D24/200
7,744,640 B1	6/2010	Faries, Jr. et al.	
7,799,063 B2	9/2010	Ingram et al.	
7,928,279 B2	4/2011	Rosenberg	

(Continued)

FOREIGN PATENT DOCUMENTS

CN	2774443 Y	4/2006
CN	183341 A	12/2006

(Continued)

Primary Examiner — Wan Laymon
Assistant Examiner — Clint A Samuel
 (74) *Attorney, Agent, or Firm* — Lincoln Square Legal Services

(57) **CLAIM**

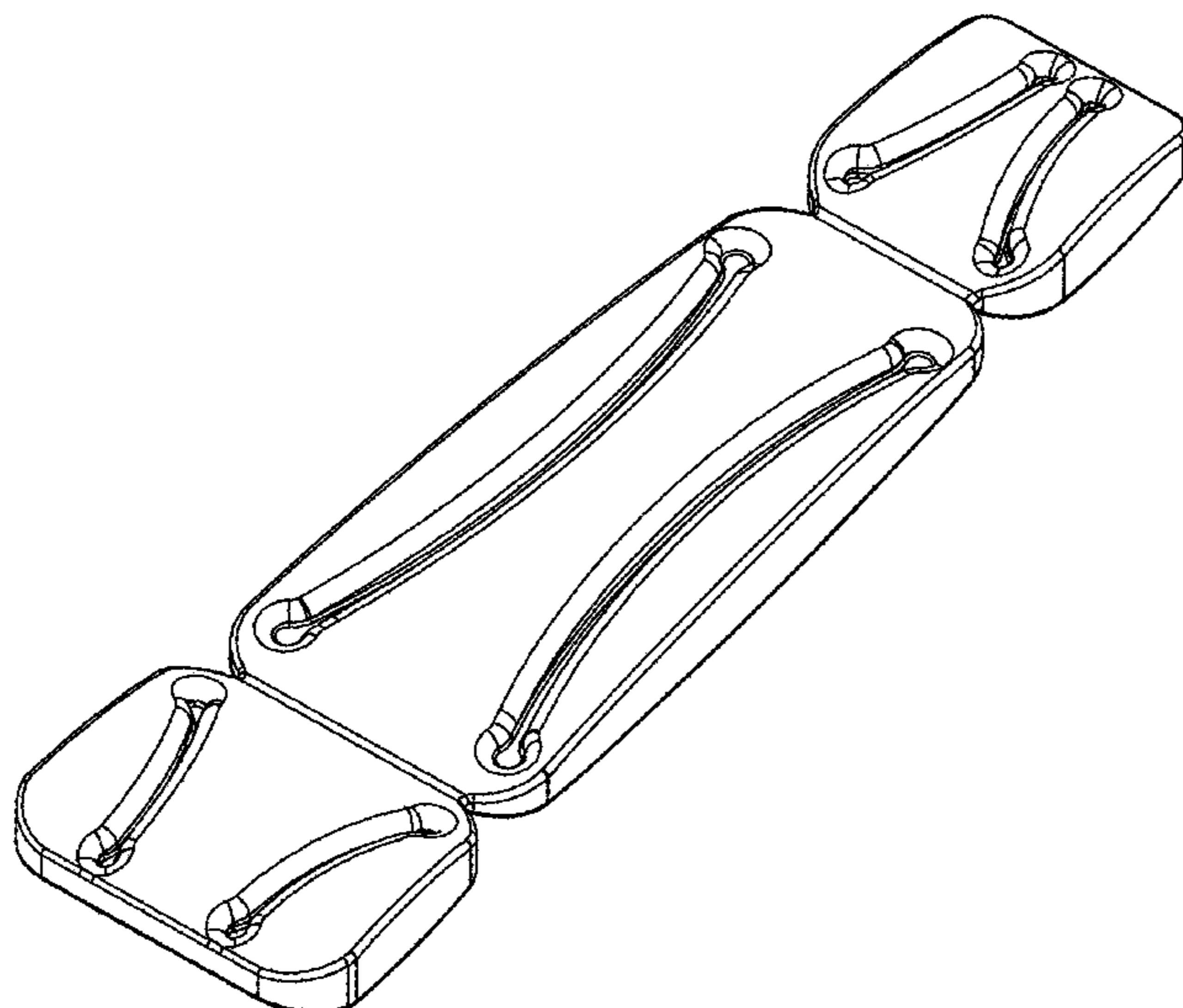
The ornamental design for a medical pack, as shown and described.

DESCRIPTION

FIG. 1 is a front perspective view of a medical pack;
 FIG. 2 is a front elevational view of the medical pack;
 FIG. 3 is a side elevational view of the medical pack; and,
 FIG. 4 is a bottom view of the medical pack.

1 Claim, 4 Drawing Sheets

- (56) **References Cited**
U.S. PATENT DOCUMENTS
3,828,786 A 8/1974 Cervantes
4,240,436 A 12/1980 Singleton



(56)

References Cited

U.S. PATENT DOCUMENTS

D650,085	S *	12/2011	Rucker	D24/207
D656,235	S *	3/2012	Howell	D24/207
D683,018	S *	5/2013	Herivel	D24/118
D685,484	S *	7/2013	Brambilla	D24/190
8,535,364	B2	9/2013	Margolis et al.	
D696,408	S *	12/2013	Chiang	D24/190
D706,430	S *	6/2014	Strebeigh	D24/190
8,937,212	B2	1/2015	Fogg et al.	
9,024,108	B2	5/2015	McManus	
D742,533	S *	11/2015	Kang	D24/207
D749,207	S *	2/2016	Hedbratt	D24/125
D754,867	S *	4/2016	Qin	D24/207
D805,648	S *	12/2017	Baumwald	D24/206
2002/0170116	A1 *	11/2002	Borders	A61B 6/0457 5/600
2004/0102823	A1	5/2004	Schnoor	
2006/0224136	A1	10/2006	Martinez	
2010/0114053	A1	5/2010	Mandeville	
2012/0053546	A1 *	3/2012	Fogg	A61F 7/10 604/367
2013/0338742	A1	12/2013	Gallen et al.	
2015/0080827	A1	3/2015	Fogg	
2017/0049636	A1 *	2/2017	Hardie	A61F 13/4752

FOREIGN PATENT DOCUMENTS

CN	204133689	U	2/2015
CN	204274793	U	4/2015
DE	3036601	A1	4/1982
EP	0947184	A1	10/1999
WO	2014039806	A1	3/2014

* cited by examiner

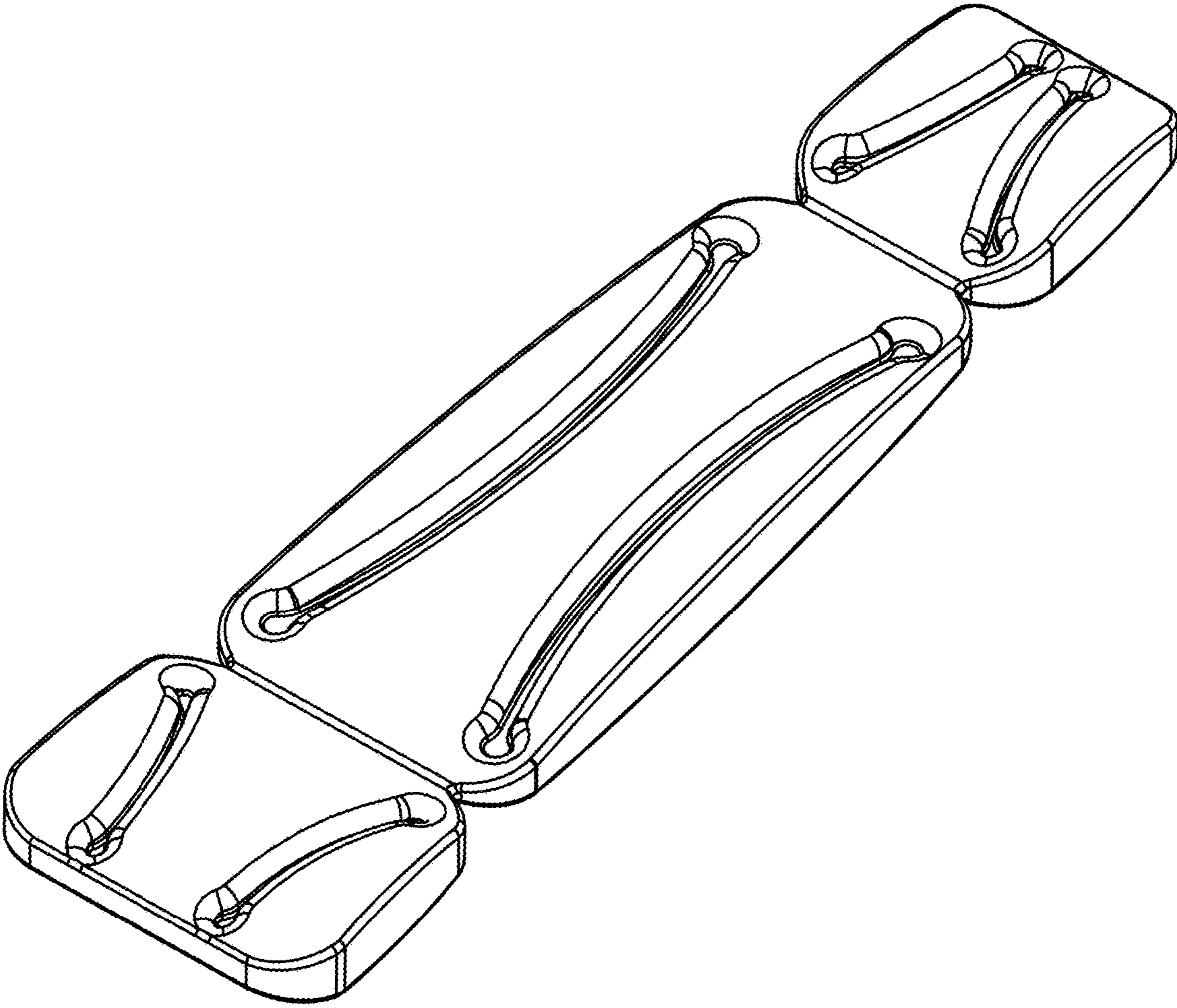


FIG. 1

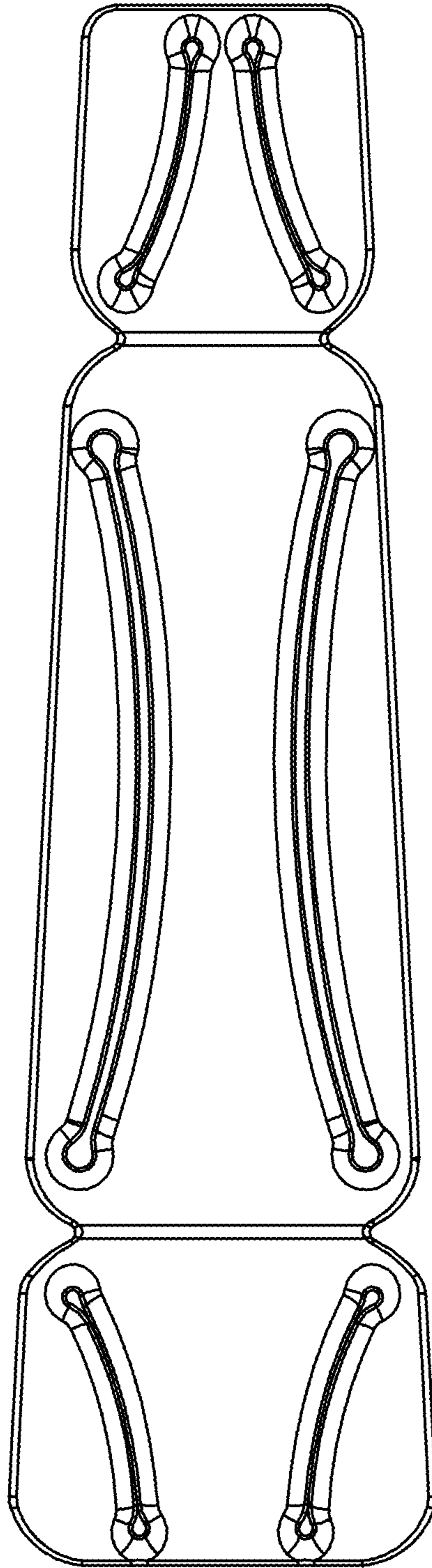


FIG. 2

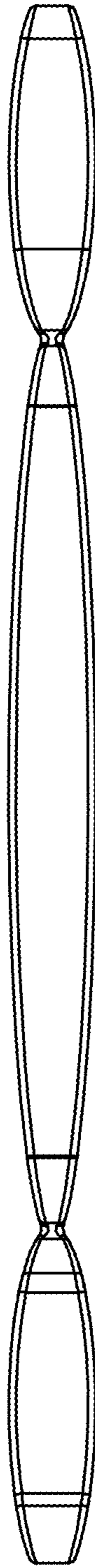


FIG. 3

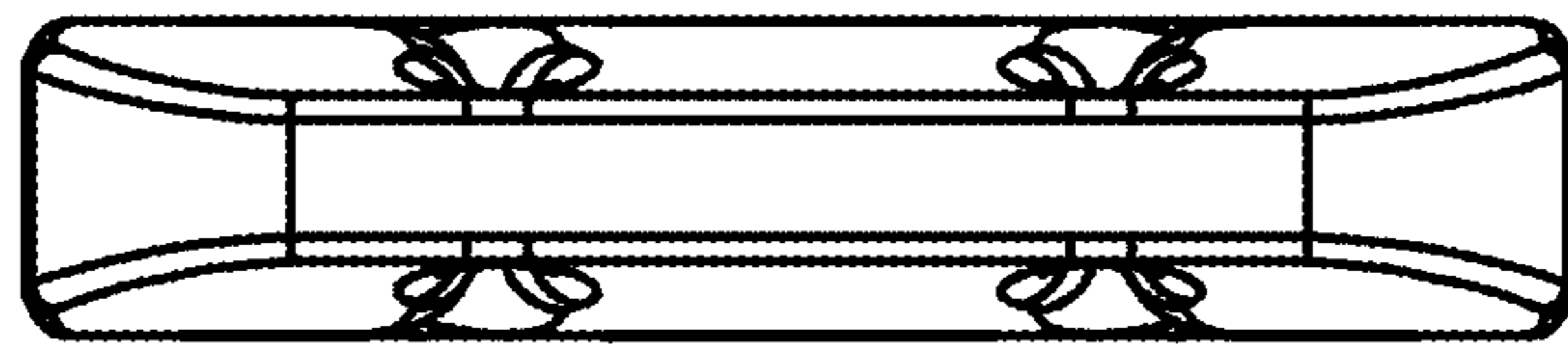


FIG. 4