



US00D816236S

(12) **United States Design Patent** (10) **Patent No.:** **US D816,236 S**
Diaz (45) **Date of Patent:** **** Apr. 24, 2018**

(54) **SAUNA VEST WITH BELT**
(71) Applicant: **Candace Diaz**, Bronx, NY (US)
(72) Inventor: **Candace Diaz**, Bronx, NY (US)
(**) Term: **15 Years**

(21) Appl. No.: **29/579,587**
(22) Filed: **Sep. 30, 2016**
(51) **LOC (11) Cl.** **24-04**
(52) **U.S. Cl.**
USPC **D24/206**
(58) **Field of Classification Search**
USPC D24/171, 181, 200, 203, 206, 207;
D2/728, 731, 750, 754, 755, 828, 829;
2/7, 8.1, 44, 102, 103, 458, 462; 602/19
CPC A41D 2400/00; A41D 2400/10; A41D
2400/12; A41D 2400/20; A41D 2600/00;
A41D 2600/10; A41D 1/00; A41D 1/02;
A41D 1/04; A41D 13/00; A41D 13/0015;
A41D 13/002; A41D 13/0058; A41D
13/0055; A41D 13/0053; A41C 1/02;
A41C 1/04; F25D 3/14
See application file for complete search history.

(56) **References Cited**
U.S. PATENT DOCUMENTS
5,146,625 A * 9/1992 Steele A41D 13/0055
2/102
D356,883 S * 4/1995 Ganahl D2/828
D360,517 S * 7/1995 Reizenstein D2/828
D380,588 S * 7/1997 Chen D2/702
D399,637 S * 10/1998 Suding D2/829
D496,108 S * 9/2004 Machin D24/190
D539,911 S * 4/2007 Kirkland D24/200
D594,633 S * 6/2009 Floyd D2/731
8,490,212 B1 * 7/2013 Asher A41D 1/04
2/2.5

D760,478 S * 7/2016 Puckett D2/829
2012/0142252 A1 * 6/2012 Hopkins A41C 3/08
450/31
2016/0015096 A1 * 1/2016 LeMarbe A41D 13/0562
2/102

OTHER PUBLICATIONS

CONFIGURE8ION Sauna Vest; https://www.google.com/searchg=Candace+Diaz+SAUNA+VEST&tbas=0&biw=1764&bih=890&source=Int&tbs=cdr%3A1%2Ccd_min%3A%2Ccd_max%3A9%2F30%2F2016&tbm=; retrieved from www.google.com; retrieved on Dec. 15, 2017. Jul. 23, 2012 (Year: 2012).*

* cited by examiner

Primary Examiner — Wan Laymon
Assistant Examiner — Clint A Samuel
(74) *Attorney, Agent, or Firm* — Dunlap Bennett & Lidwig PLLC; Brendan E. Squire

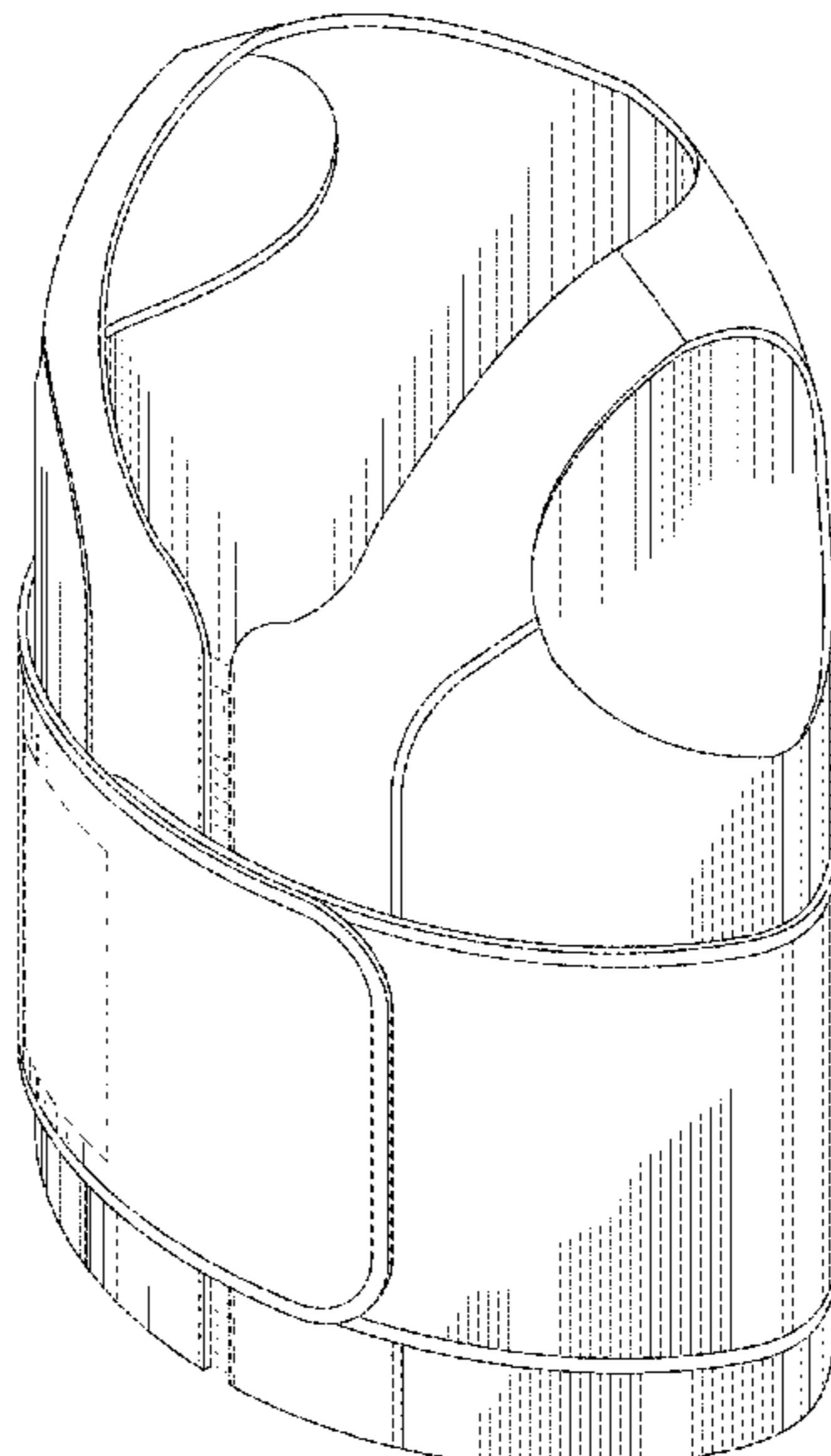
(57) **CLAIM**

The ornamental design for a sauna vest with belt, as shown and described.

DESCRIPTION

FIG. 1 is a top front perspective view of the sauna vest with belt showing my new design;
FIG. 2 is a front elevation view thereof;
FIG. 3 is a rear elevation view thereof;
FIG. 4 is a right elevation view thereof;
FIG. 5 is a left elevation view thereof;
FIG. 6 is a top elevation view thereof;
FIG. 7 is a bottom elevation view thereof; and,
FIG. 8 is a top front perspective view thereof, with the belt shown in the open position.
The broken lines shown in the drawings illustrate portions of the sauna vest with belt that form no part of the claimed design.

1 Claim, 5 Drawing Sheets



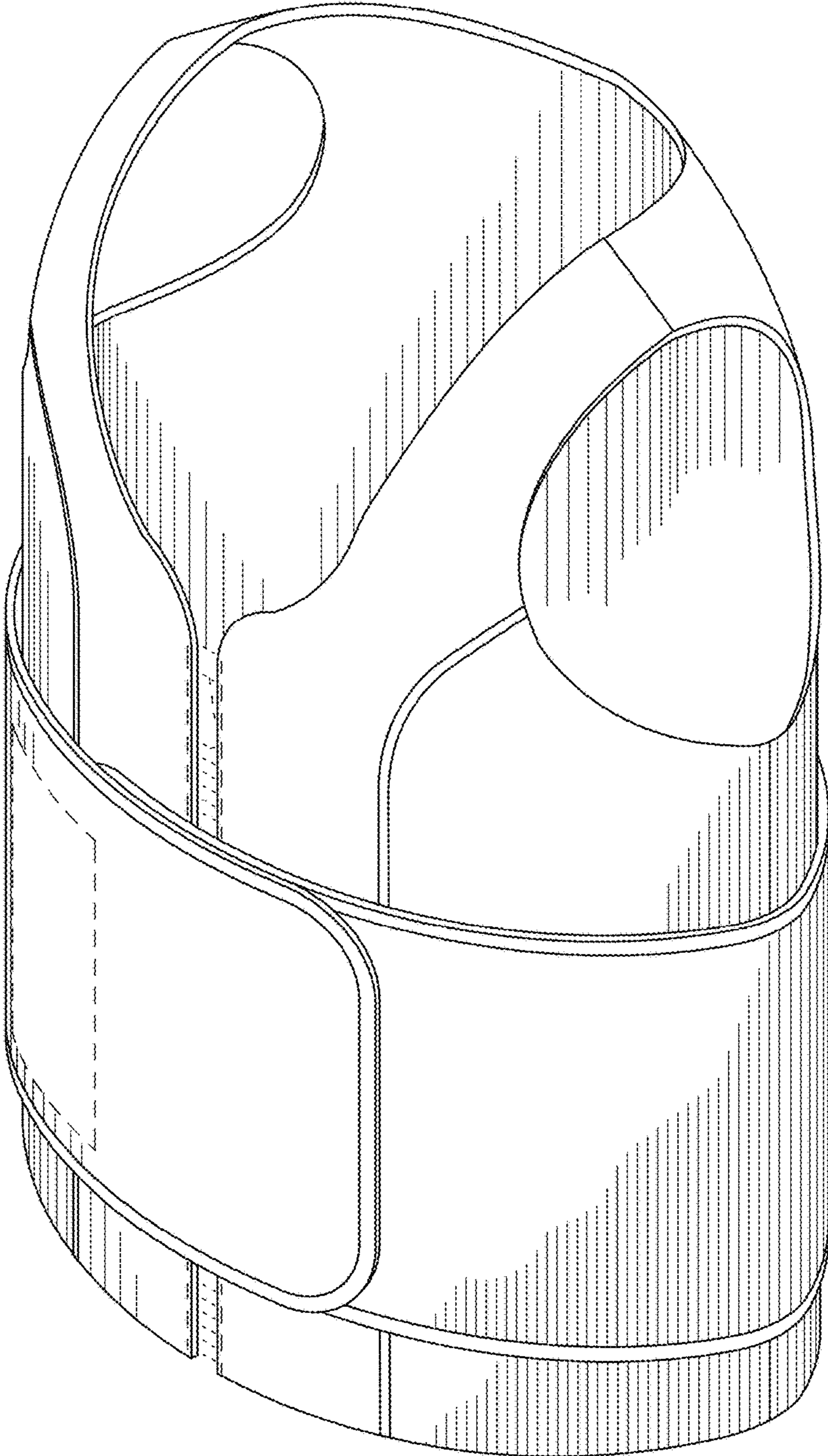


FIG. 1

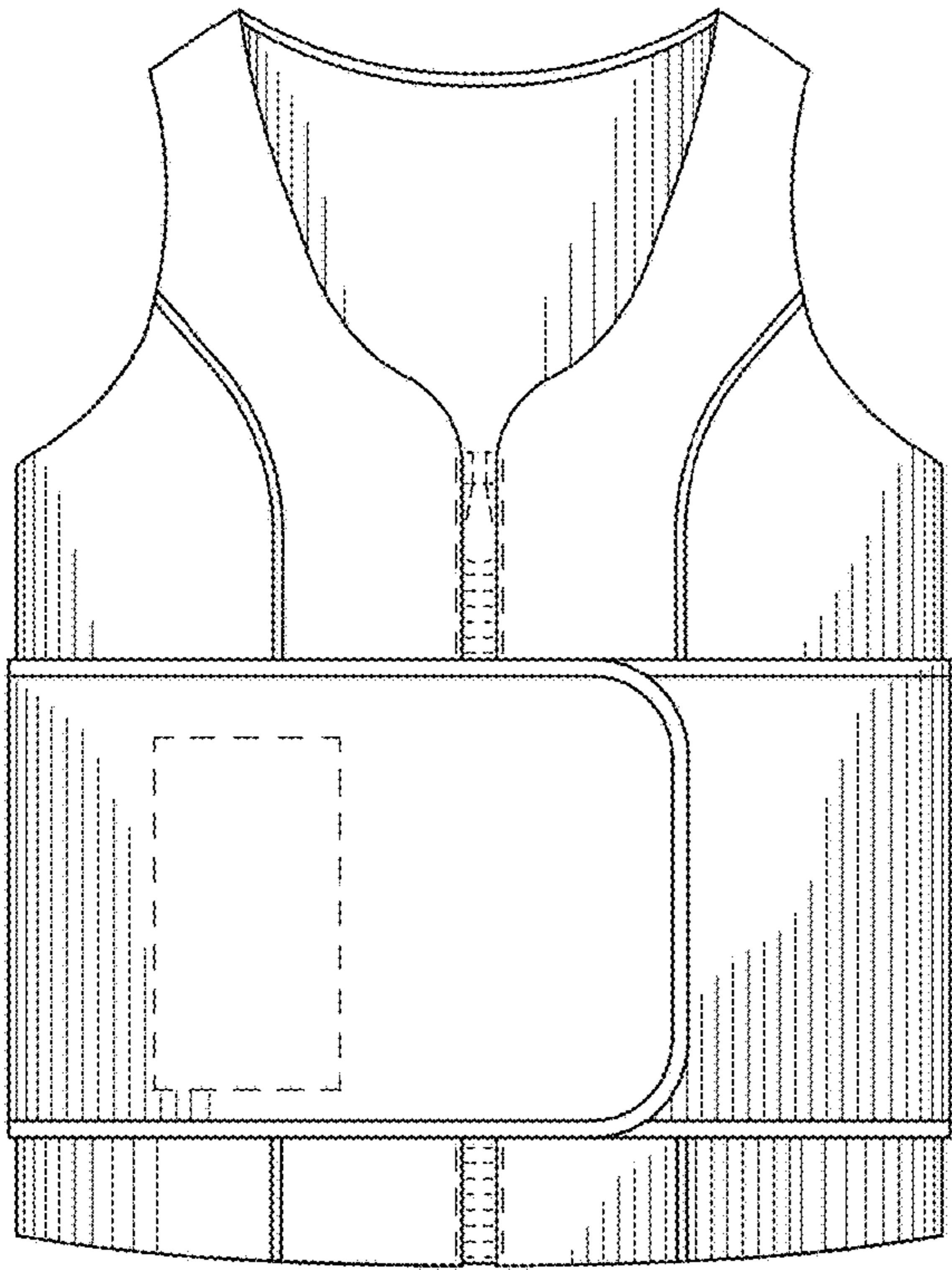


FIG. 2

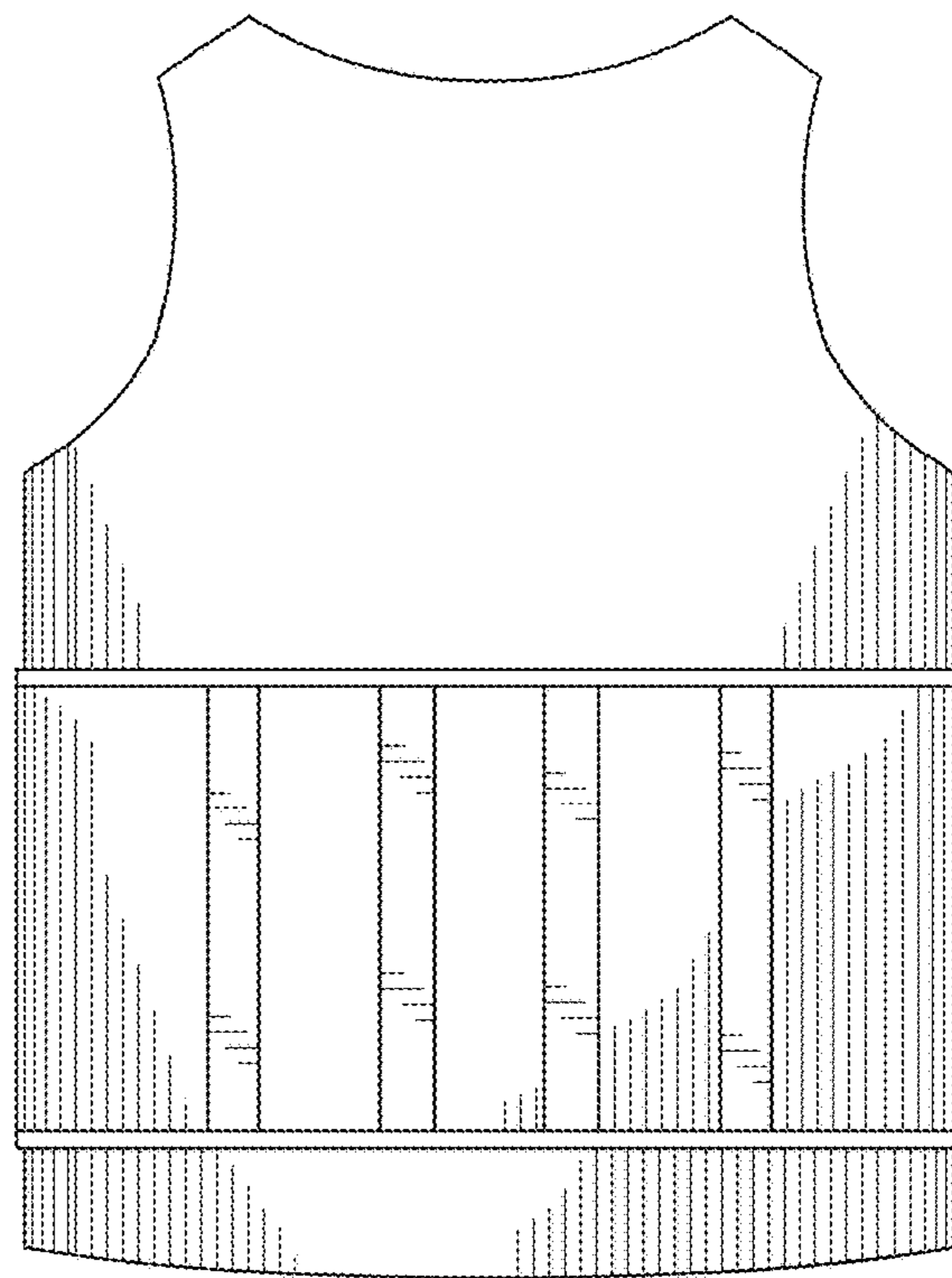


FIG. 3

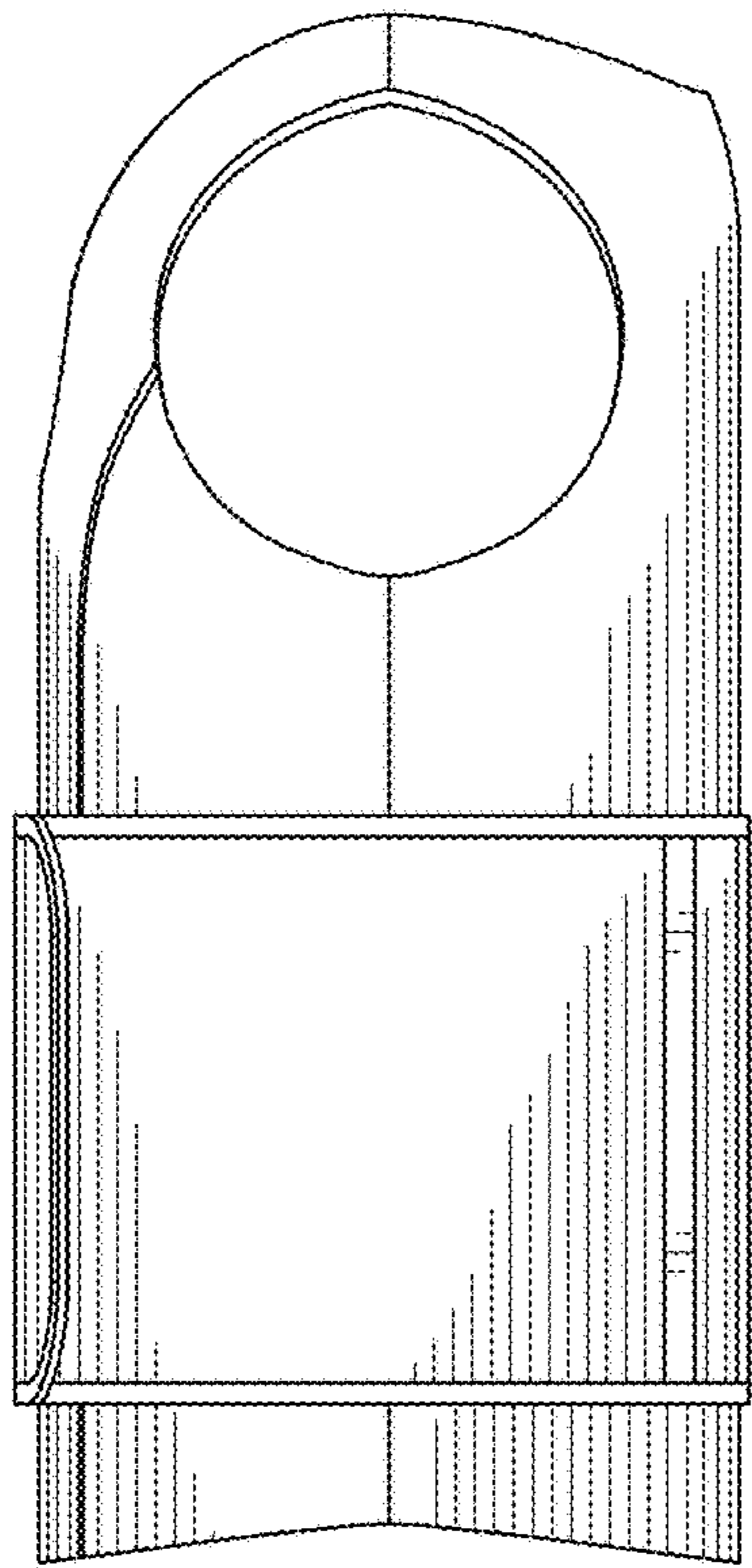


FIG. 4

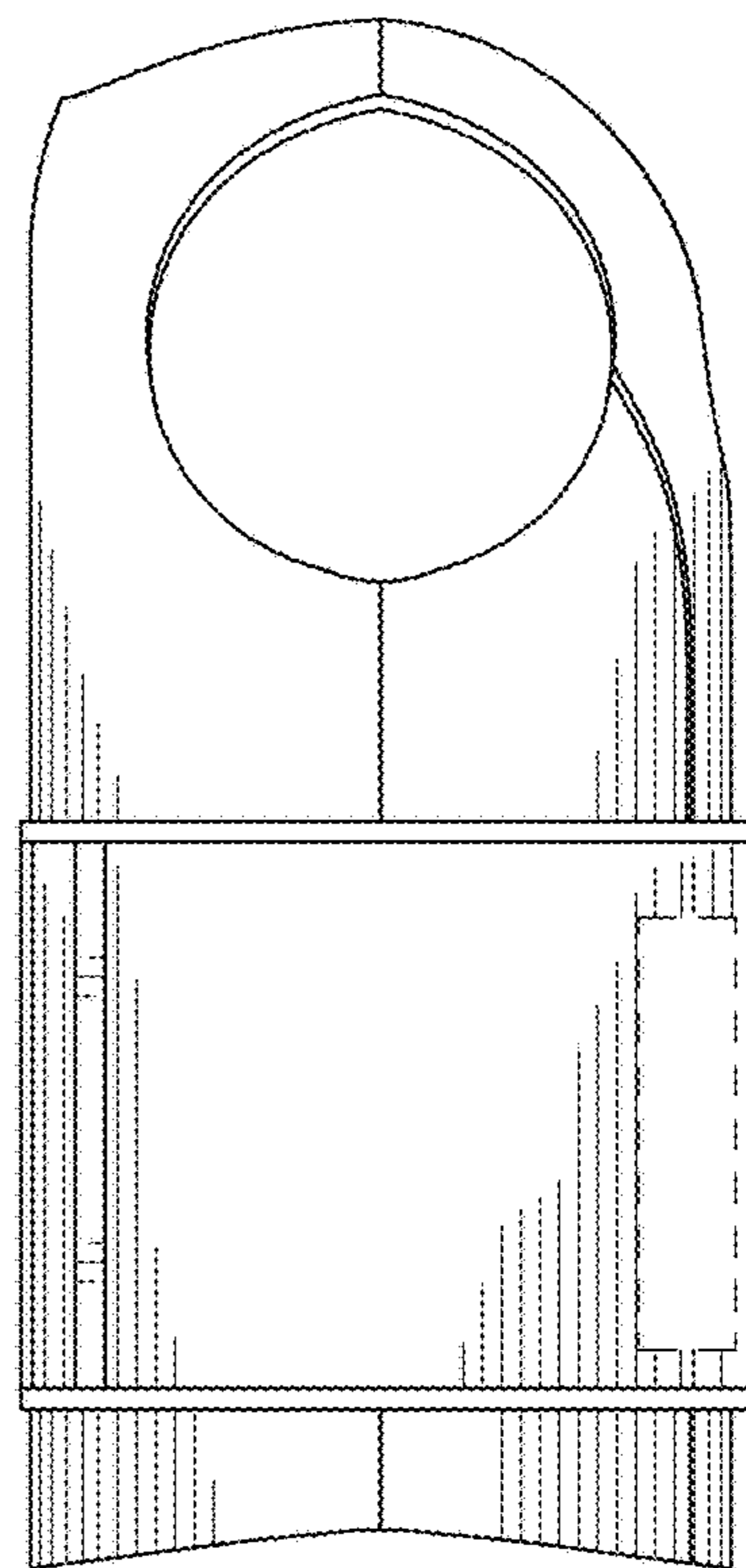


FIG. 5

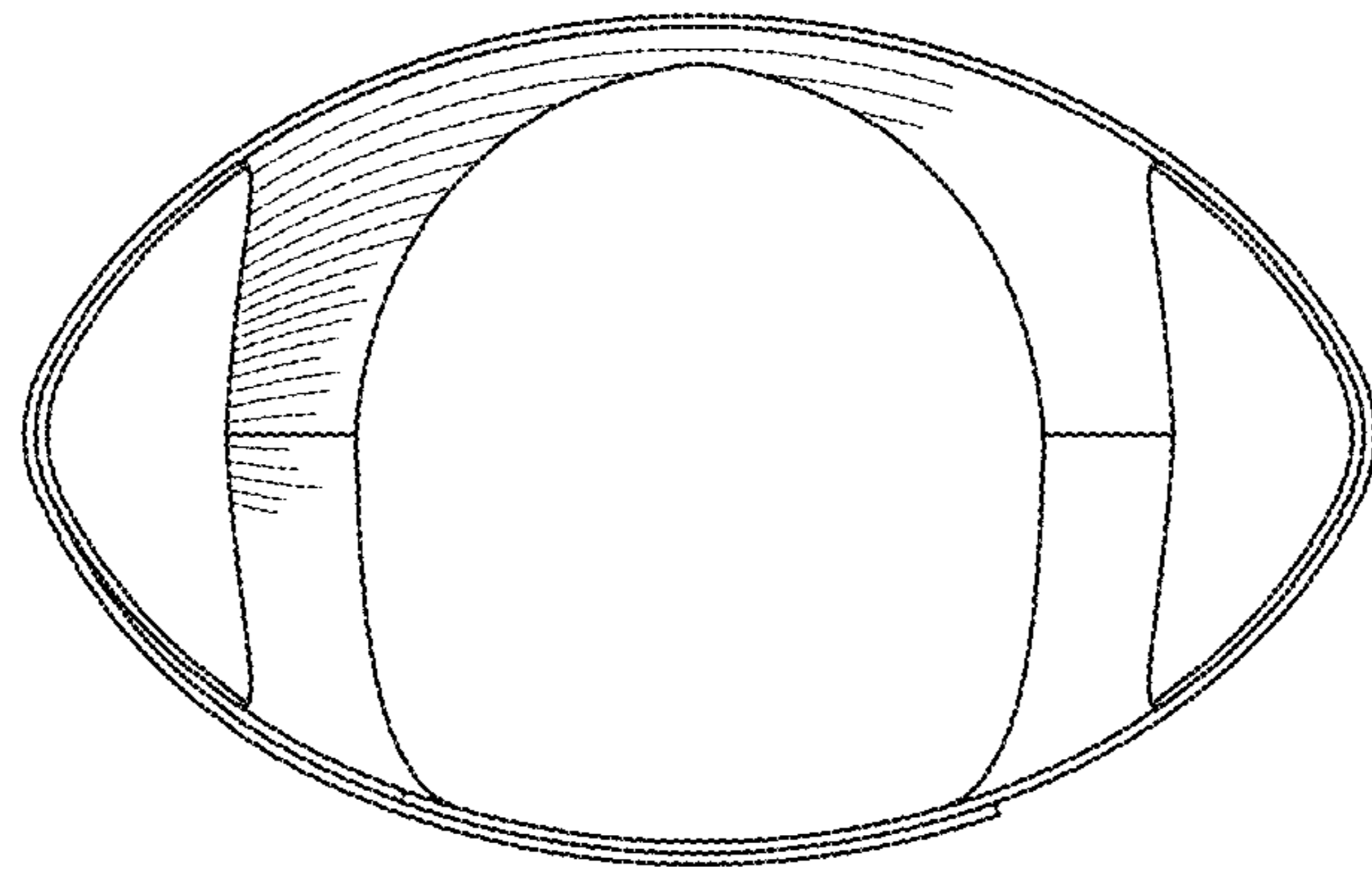


FIG. 6

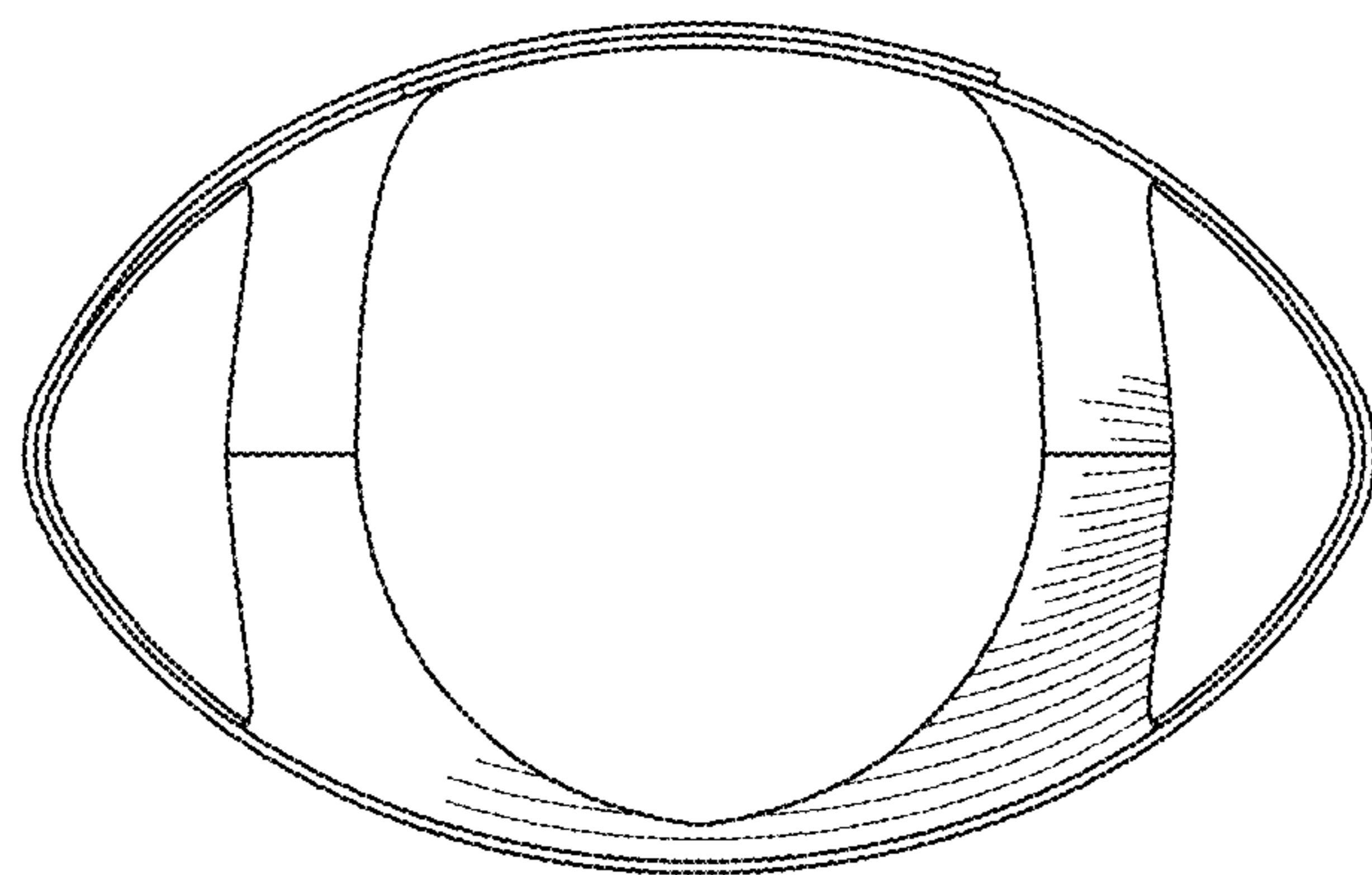


FIG. 7

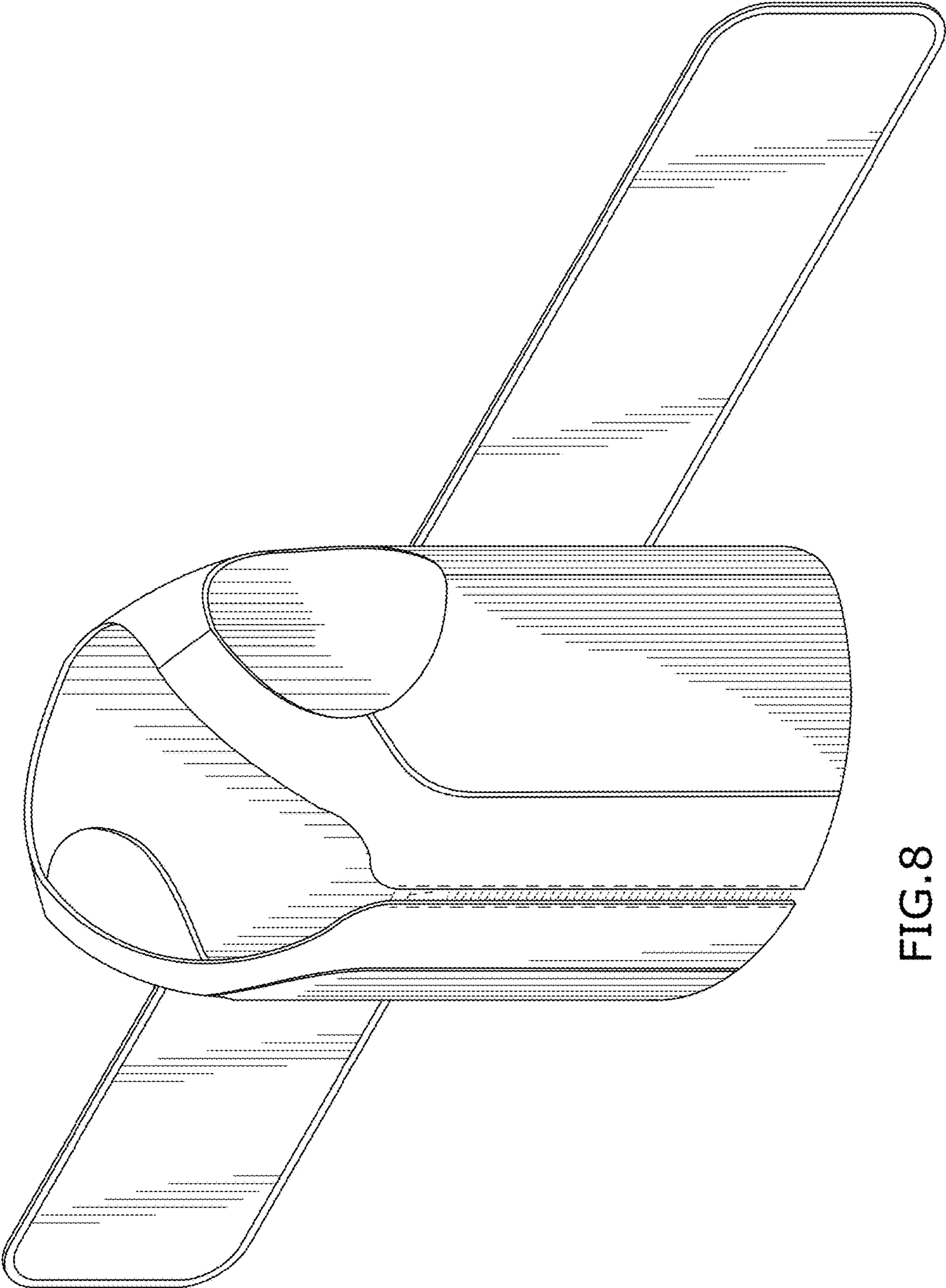


FIG. 8