



US00D816235S

(12) **United States Design Patent** (10) **Patent No.:** **US D816,235 S**
Larsen et al. (45) **Date of Patent:** **** *Apr. 24, 2018**

(54) **SPA SHELL**

(71) Applicant: **WATKINS MANUFACTURING CORPORATION**, Vista, CA (US)

(72) Inventors: **Christopher Carl Larsen**, Vista, CA (US); **Sage Nathan Baker**, Cardiff, CA (US); **Fernando Pardo**, Newbury Park, CA (US); **Martti Johannes Lampela**, Woodland Hills, CA (US)

(73) Assignee: **Watkins Manufacturing Corporation**, Vista, CA (US)

(*) Notice: This patent is subject to a terminal disclaimer.

(**) Term: **15 Years**

(21) Appl. No.: **29/570,846**

(22) Filed: **Jul. 12, 2016**

(51) **LOC (11) Cl.** **23-02**

(52) **U.S. Cl.**
USPC **D24/204**

(58) **Field of Classification Search**
USPC D24/201–205, 213; D23/276–278, D23/280.1–280.3, 280.4, 283; D25/2; D28/56, 61; D6/334, 335, 336, 338, 367, D6/708.18, 709, 710, 716.1, 716.3, 716.4; 297/452.1, DIG. 7; 210/153, 167.06, 210/167.1; 4/541.6, 574.1, 580, 596, 601, 4/622; 5/12.1, 12.2; 601/54–158; 607/86; 219/433, 439; 422/41
CPC .. A47C 1/02; A47C 1/024; A47C 1/04; A47C 1/06; A47C 7/18; A47C 7/24; A47C 17/00; A47C 17/02; A47C 17/175; A47K 3/02; A47K 3/022; A47K 3/062; A61H

(Continued)

(56) **References Cited**

U.S. PATENT DOCUMENTS

D408,927 S * 4/1999 Sullivan D25/2
D417,286 S * 11/1999 Sullivan D25/2

(Continued)

FOREIGN PATENT DOCUMENTS

CH 142772-0001 * 11/2016
CH 142811-0001 * 12/2016

OTHER PUBLICATIONS

Endless Pools® Fitness Systems, posted at endlessfitness.com, posting date not available, © 2017 WatkinsWellness, [online], [site visited Aug. 2, 2017]. Available from Internet, <URL:http://www.ptproductsonline.com/2017/06/hudson-aquatic-systems-offers-cet-cryospas-us-market/>.*

Primary Examiner — Anhdao Doan

Assistant Examiner — Mary Malley

(74) *Attorney, Agent, or Firm* — Kirk W. Rudolph

(57) **CLAIM**

The ornamental design for a spa shell, as shown and described.

DESCRIPTION

FIG. 1 is a perspective view of a spa shell showing our new design;
FIG. 2 is another perspective view thereof;
FIG. 3 is a top plan view thereof;
FIG. 4 is a cross-sectional view thereof, taken in the direction of line 4-4 of FIG. 3;
FIG. 5 is a cross-sectional view thereof, taken in the direction of line 5-5 of FIG. 3;
FIG. 6 is a cross-sectional view thereof, taken in the direction of line 6-6 of FIG. 3;
FIG. 7 is a cross-sectional view thereof, taken in the direction of line 7-7 of FIG. 3;
FIG. 8 is a cross-sectional view thereof, taken in the direction of line 8-8 of FIG. 3; and,

(Continued)

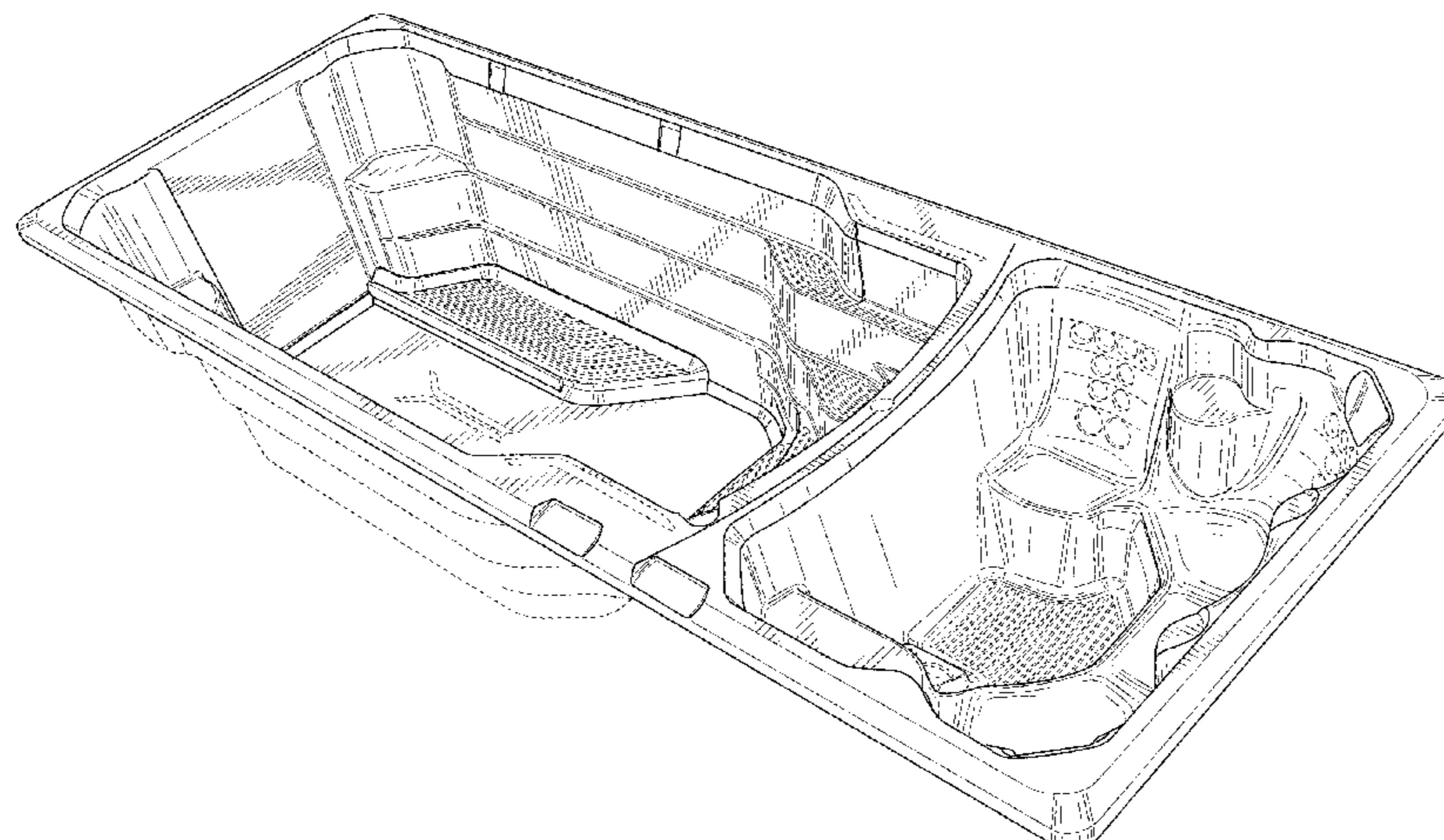


FIG. 9 is a cross-sectional view thereof, taken in the direction of line 9-9 of FIG. 3.

The broken lines show portions of the spa shell that form no part of the claimed design.

1 Claim, 7 Drawing Sheets

(58) **Field of Classification Search**

CPC 33/6005; A61H 33/6021; A61H 33/6089;
A61H 33/6094; A61H 2035/004; A61H
35/006; A61H 35/00; A61D 11/00; A61F
7/0085

See application file for complete search history.

(56) **References Cited**

U.S. PATENT DOCUMENTS

D430,305	S	*	8/2000	Sullivan	D25/2
D529,181	S	*	9/2006	Loyd	D24/204
D577,108	S	*	9/2008	Piatt	D23/277
D773,679	S	*	12/2016	Spicer	D24/204
D785,194	S	*	4/2017	Larsen	D24/204
D790,719	S	*	6/2017	Larsen	D24/204
D790,720	S	*	6/2017	Larsen	D24/204
D790,721	S	*	6/2017	Larsen	D24/204
D791,959	S	*	7/2017	Larsen	D24/204
2013/0014321	A1	*	1/2013	Sullivan	E04H 4/0018 4/506

* cited by examiner

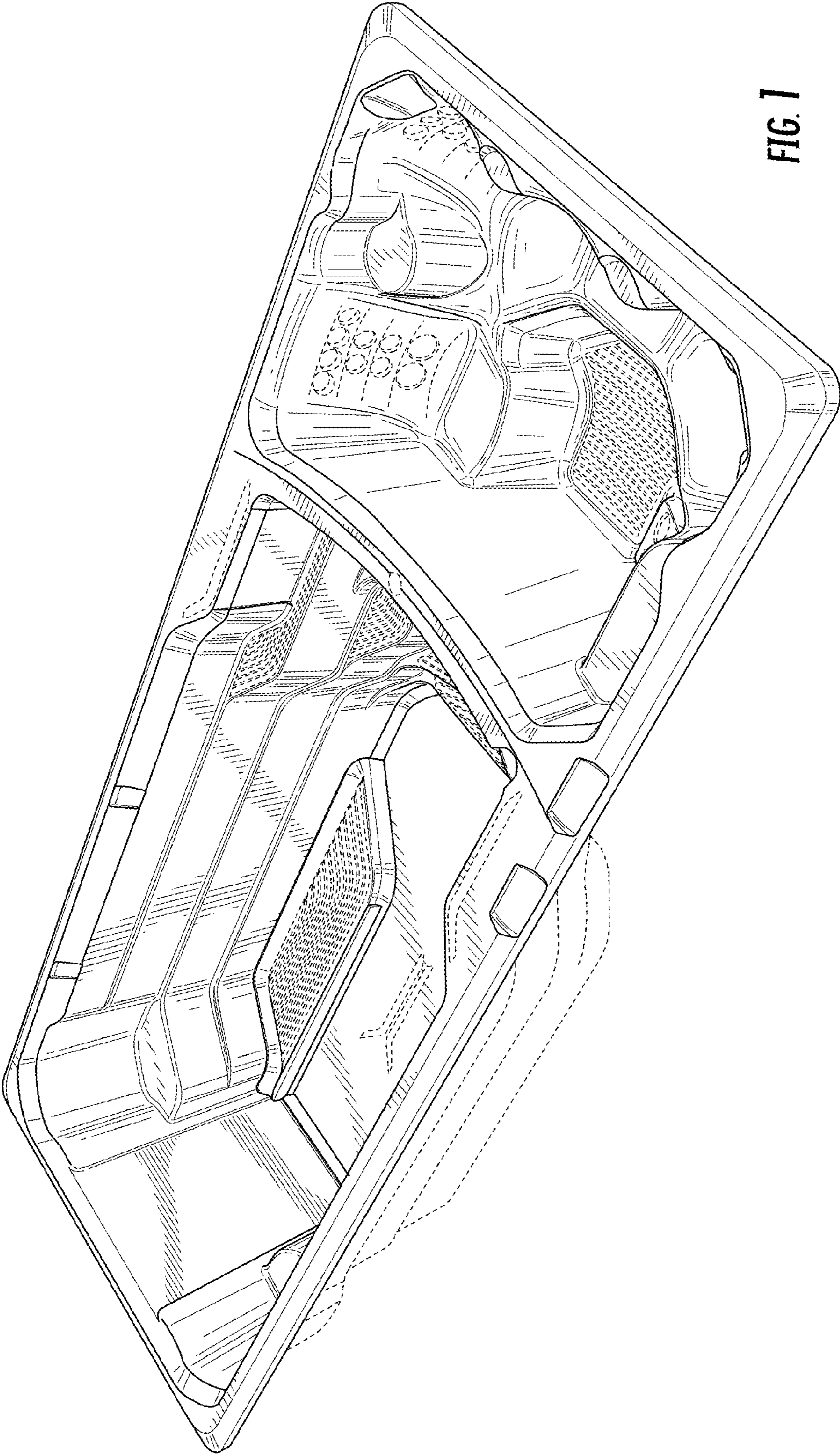


FIG. 1

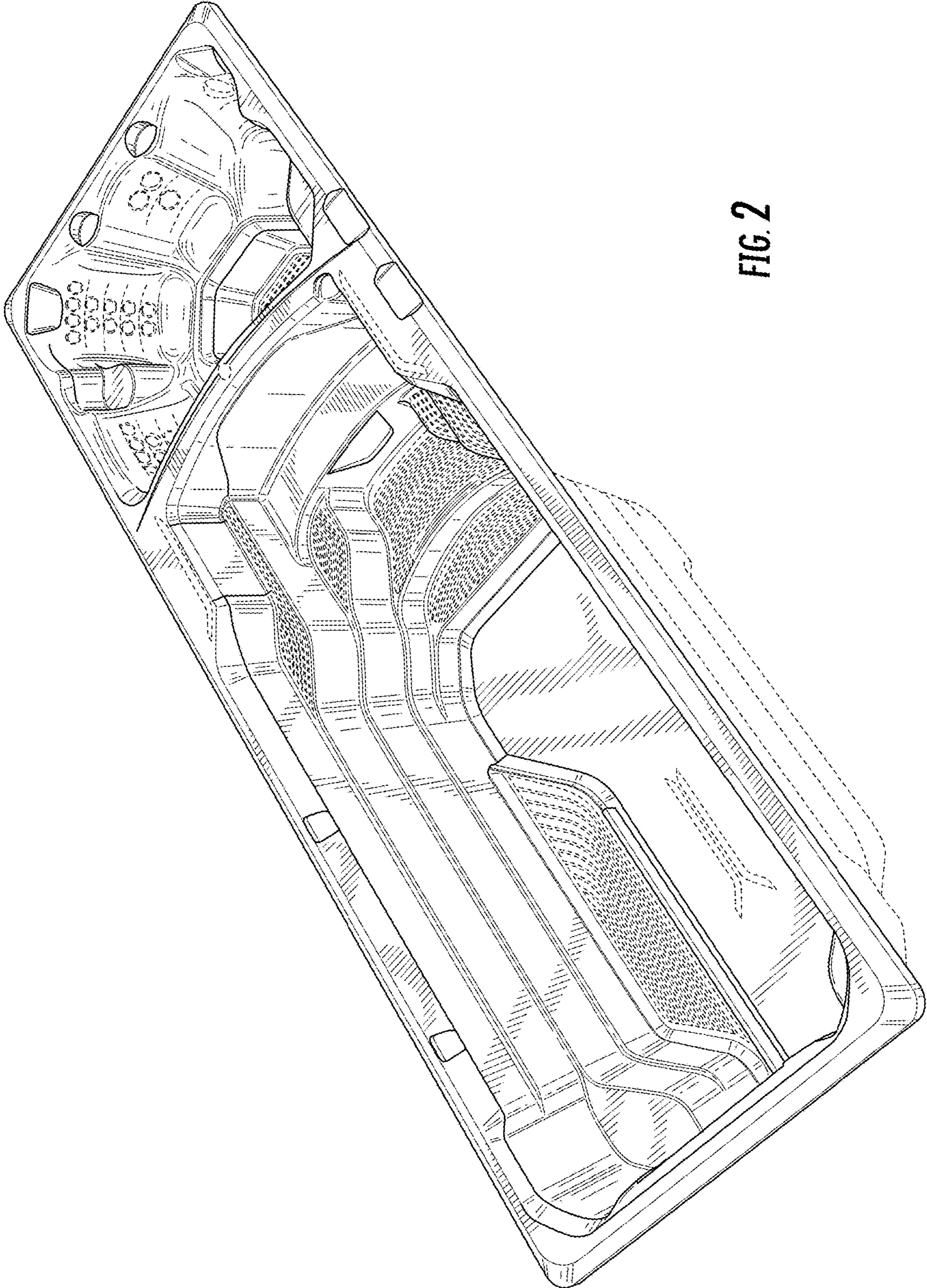


FIG. 2

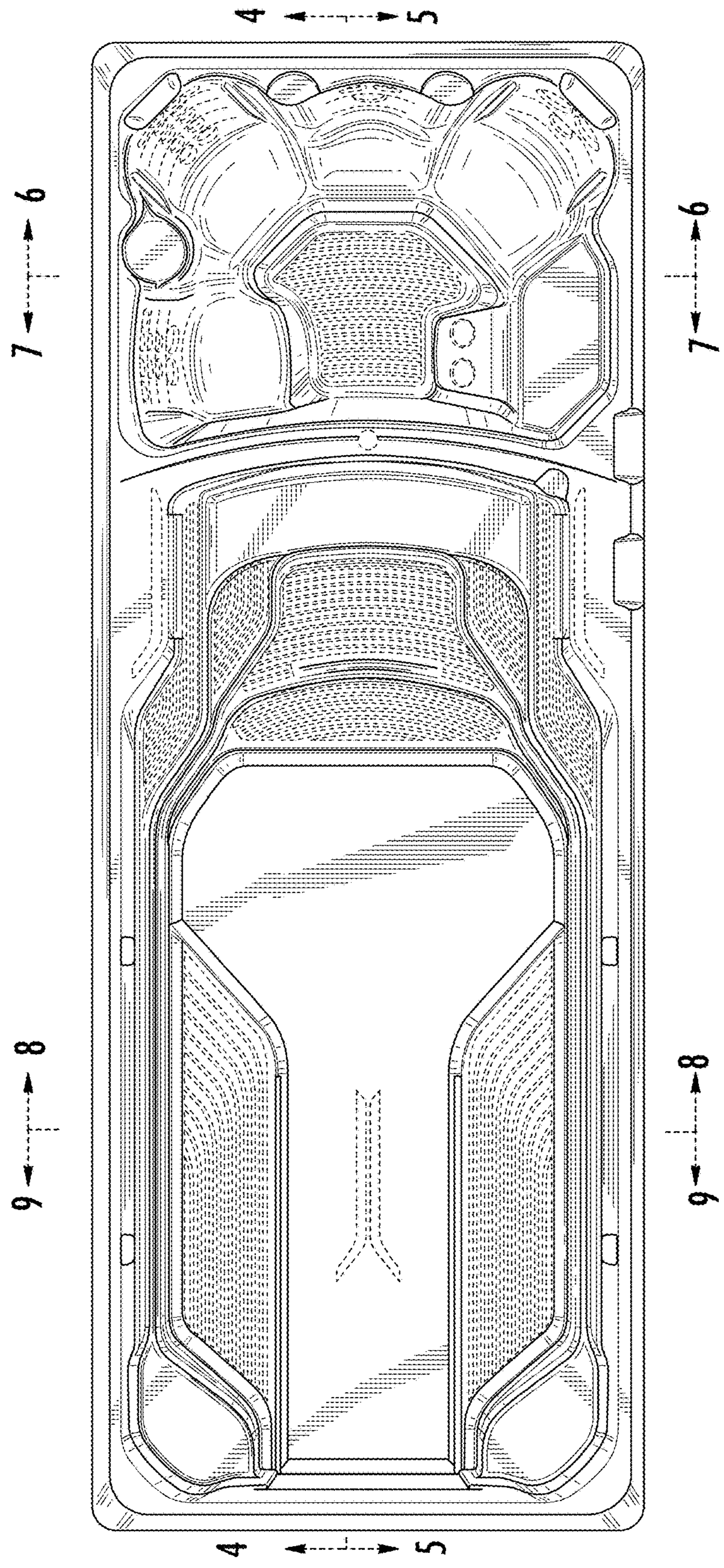


FIG. 3

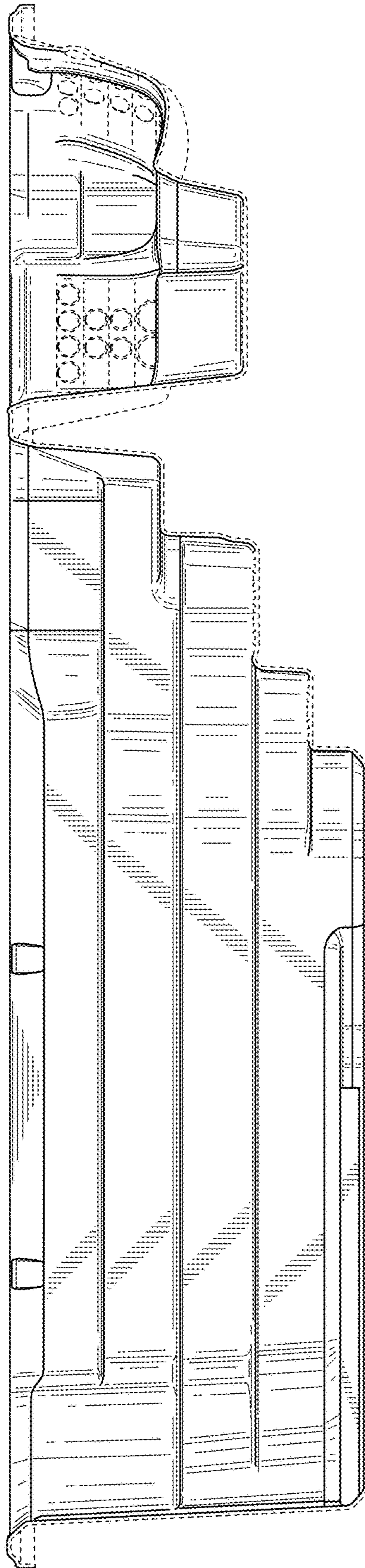


FIG. 4

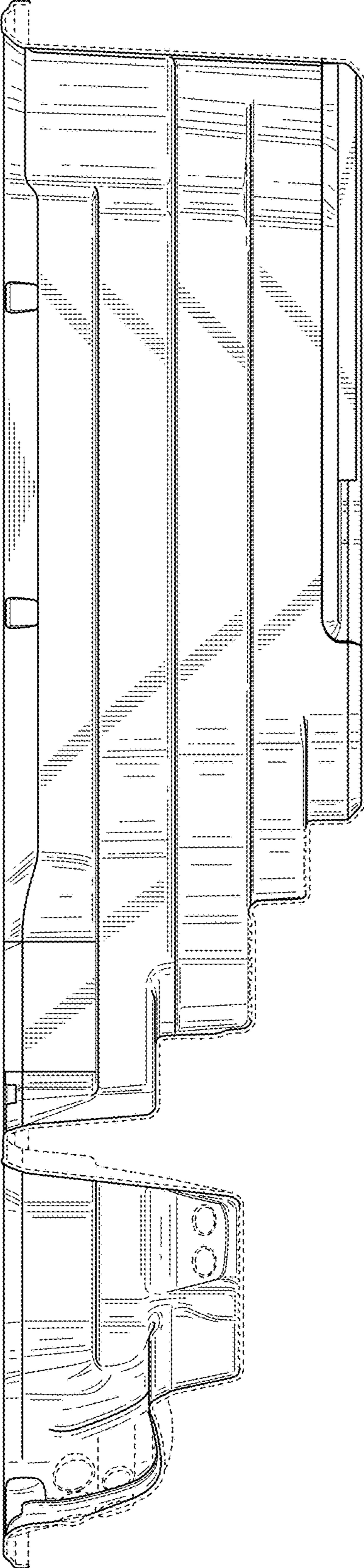


FIG. 5

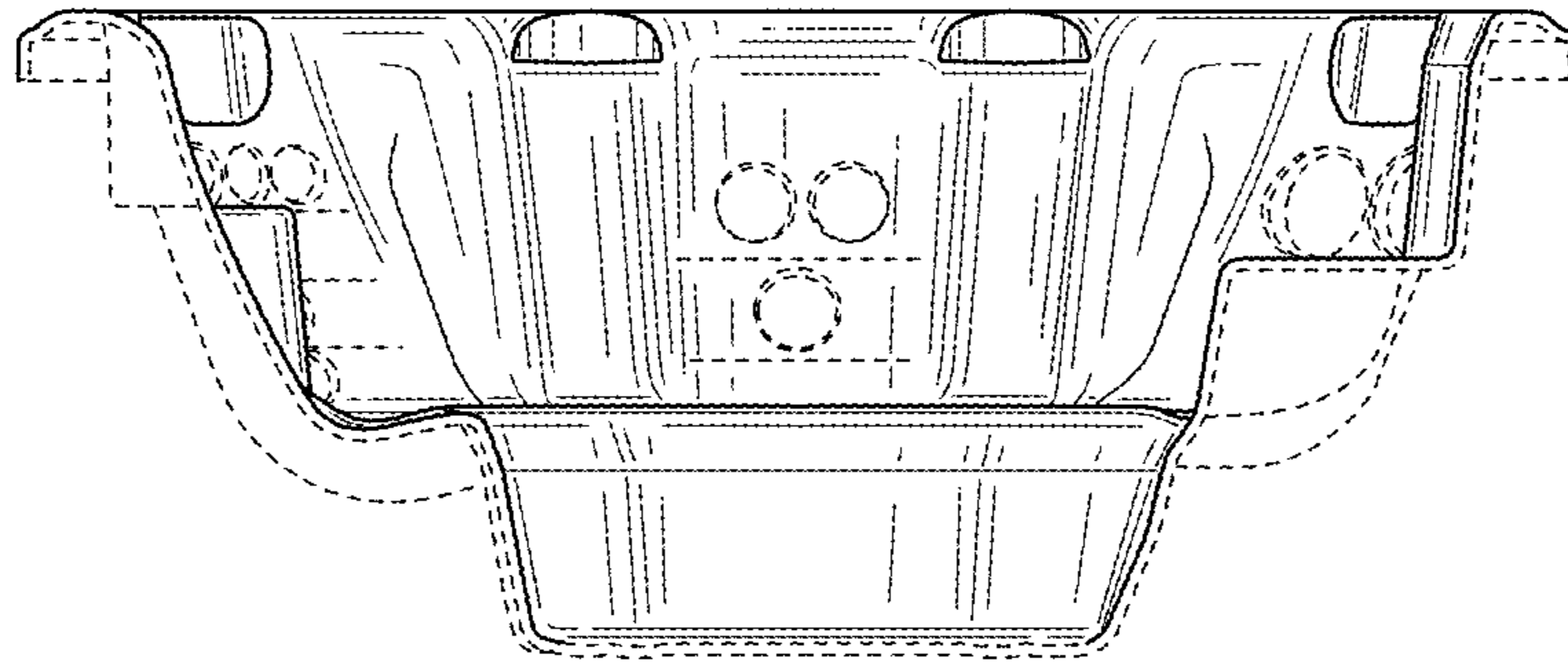


FIG. 6

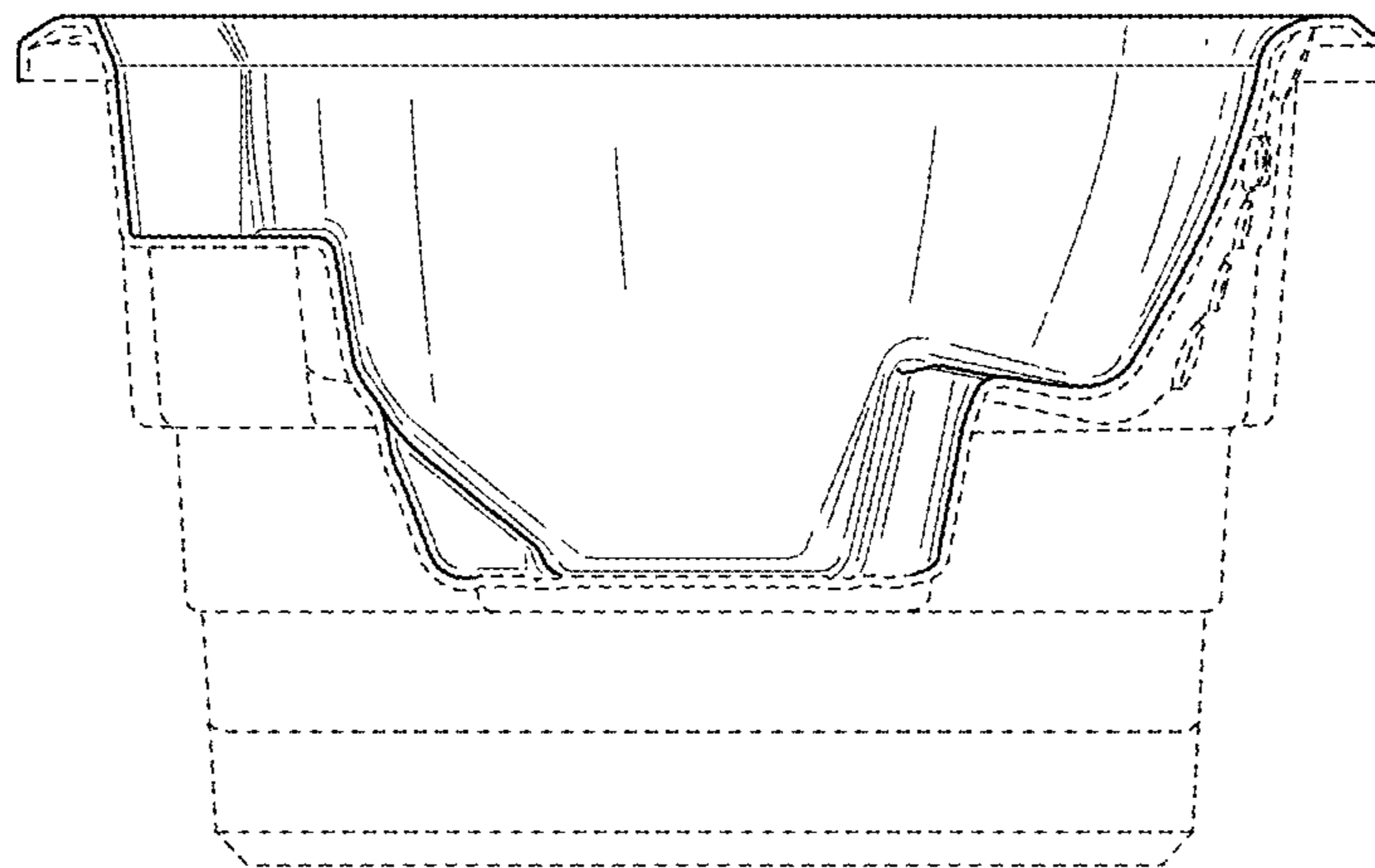


FIG. 7

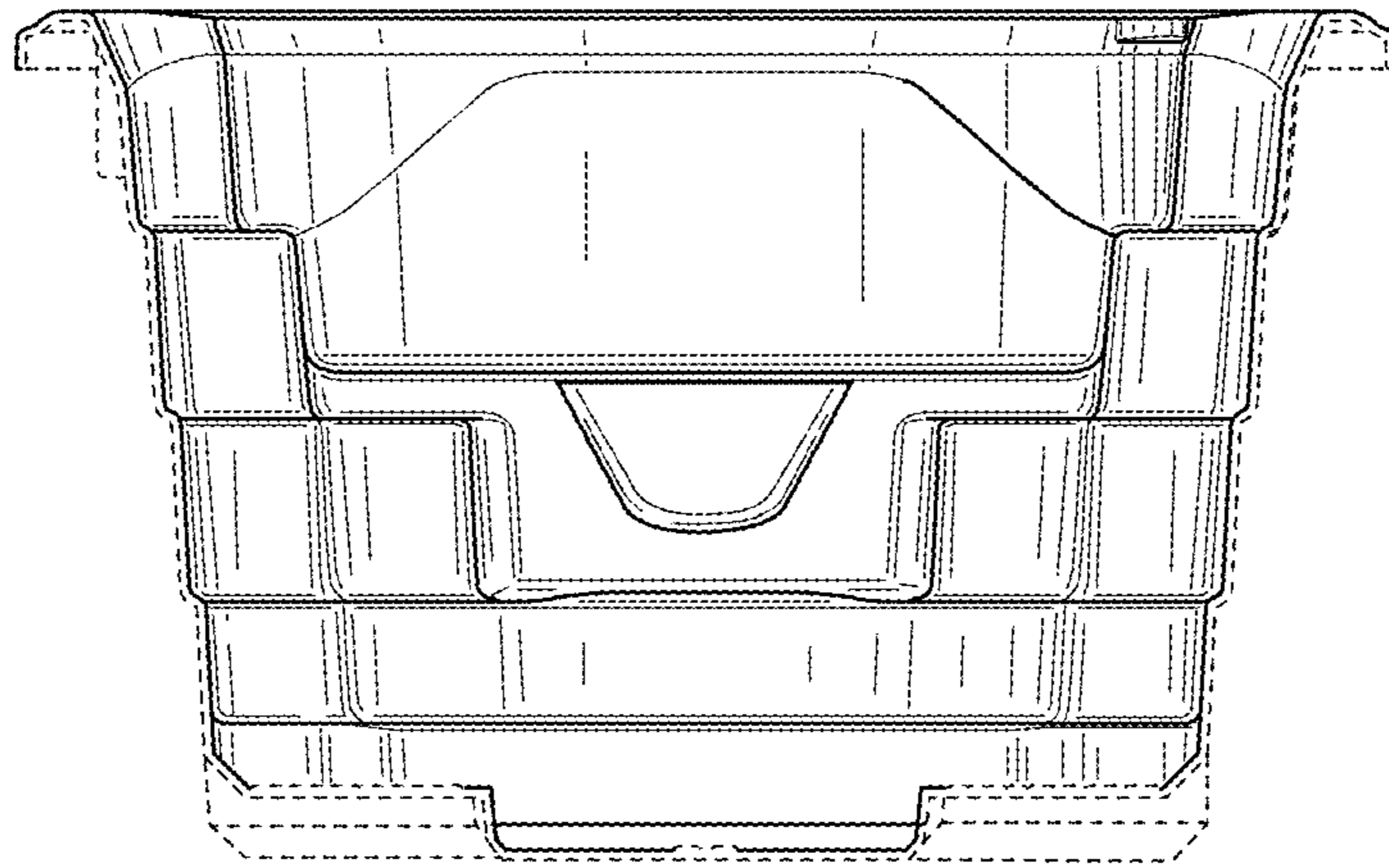


FIG. 8

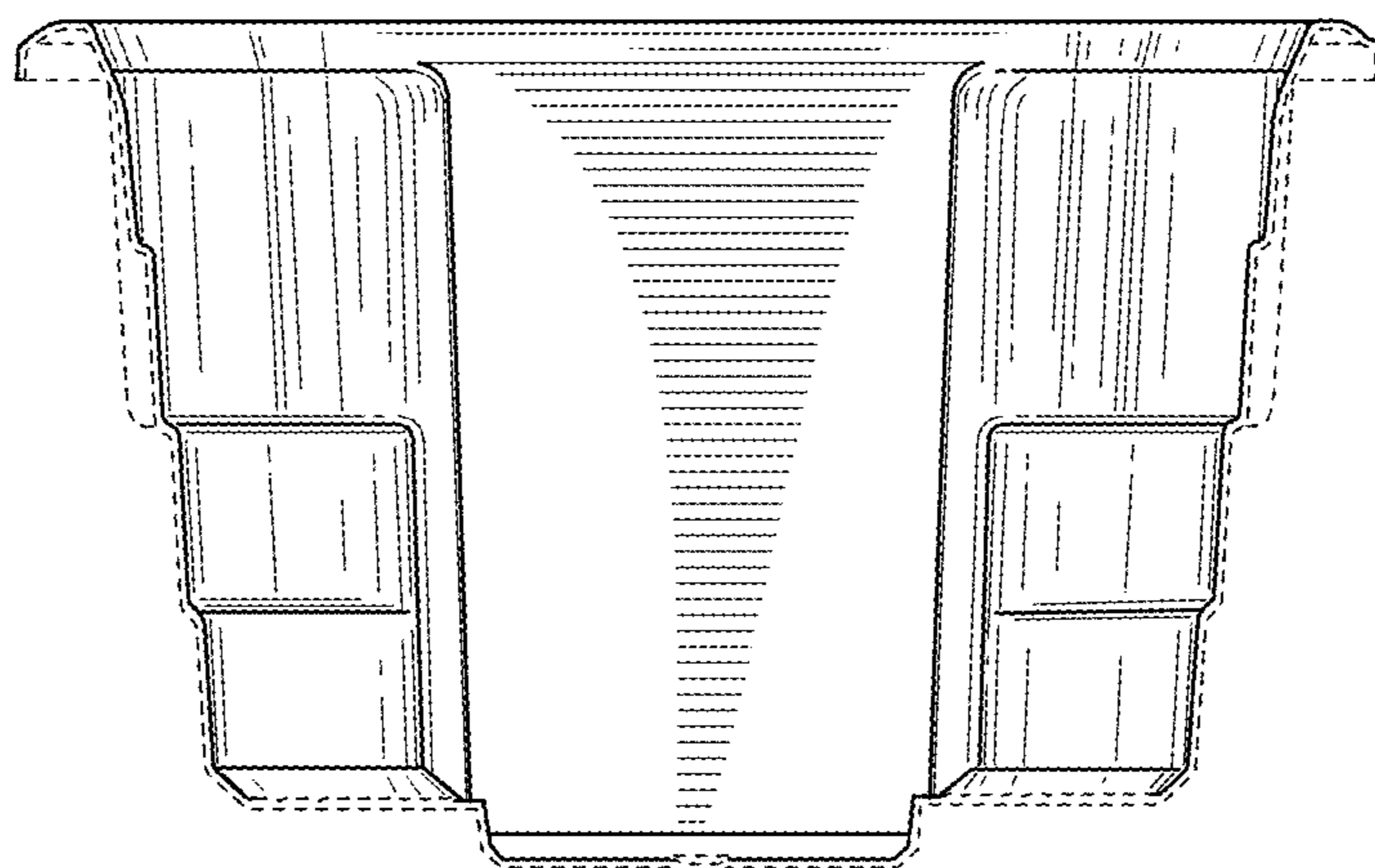


FIG. 9