



US00D816232S

(12) **United States Design Patent** (10) **Patent No.:** **US D816,232 S**
Asad et al. (45) **Date of Patent:** **** Apr. 24, 2018**

(54) **MEDICAL CONSOLE**

(56) **References Cited**

(71) Applicant: **Hologic, Inc.**, Bedford, MA (US)

U.S. PATENT DOCUMENTS

(72) Inventors: **Kathryn Asad**, Cary, NC (US); **Mark A. Catron**, Superior, CO (US); **Eric Collins**, Superior, CO (US); **Kenneth F. DeFreitas**, Patterson, NY (US); **Henry Landry**, Poughkeepsie, NY (US); **Samantha E. Vish**, Superior, CO (US)

D625,824 S * 10/2010 Brackett D24/188
D685,094 S * 6/2013 Green A61B 17/132
D24/169
D707,360 S * 6/2014 Kim D24/185
D708,334 S * 7/2014 Kim D24/158
D735,342 S * 7/2015 Asad D24/185
D750,787 S * 3/2016 Asad D24/185

(73) Assignee: **Hologic, Inc.**, Marlborough, MA (US)

* cited by examiner

(**) Term: **15 Years**

Primary Examiner — Wan Laymon
Assistant Examiner — Mark Booker

(21) Appl. No.: **29/555,808**

(57) **CLAIM**

(22) Filed: **Feb. 25, 2016**

The ornamental design for a medical console, as shown and described.

Related U.S. Application Data

(63) Continuation of application No. 29/533,804, filed on Jul. 22, 2015, now Pat. No. Des. 750,787, which is a continuation of application No. 29/504,834, filed on Oct. 9, 2014, now Pat. No. Des. 735,342.

DESCRIPTION

(51) **LOC (11) Cl.** **24-00**

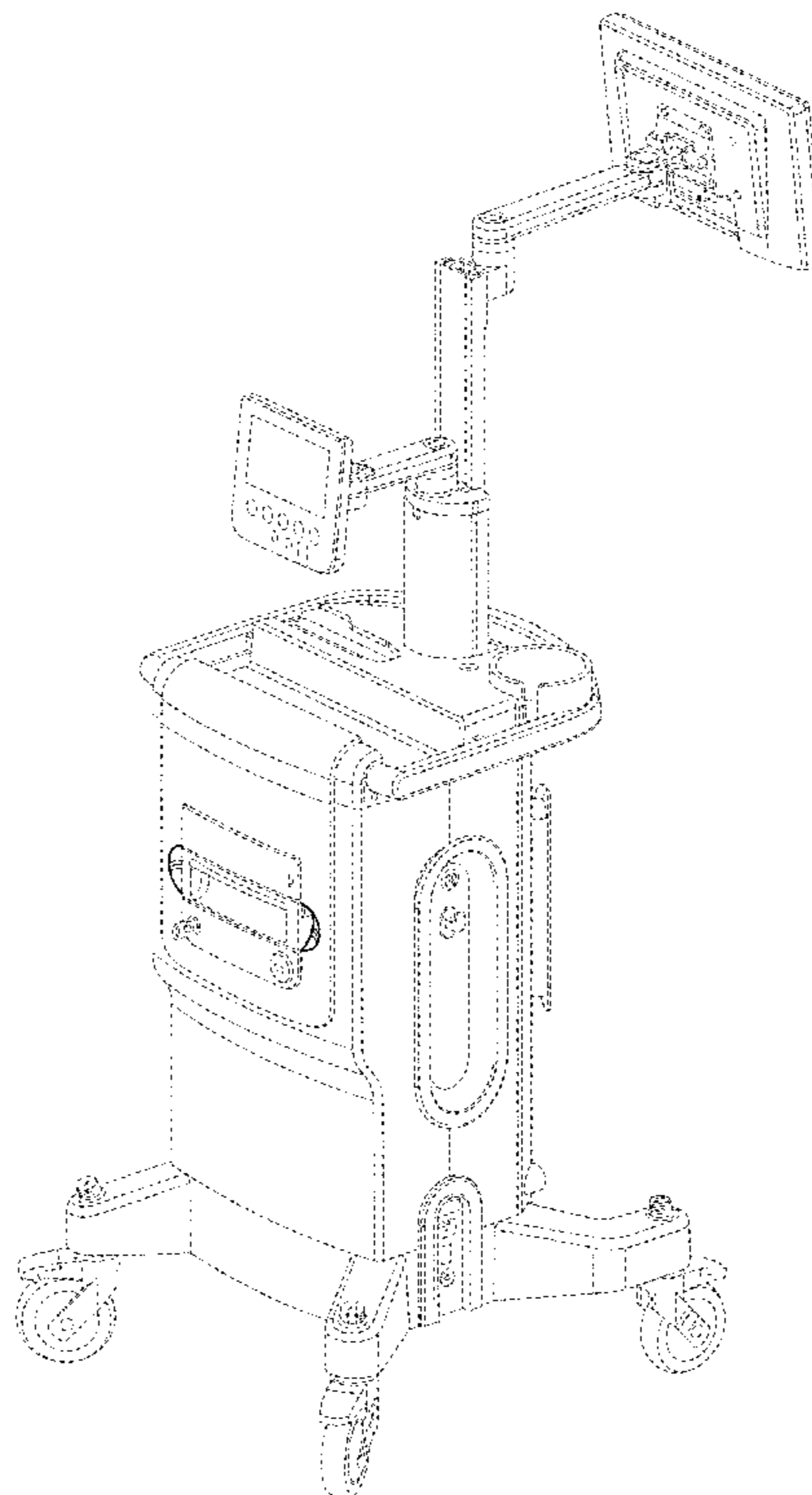
(52) **U.S. Cl.**
USPC **D24/186**

(58) **Field of Classification Search**
USPC D24/186, 185, 172, 158, 164, 234, 128;
D8/363; D14/452, 375; 248/70.6, 274.1,
248/276.1

FIG. 1 is a front perspective view of the medical console;
FIG. 2 is a right side elevational view thereof;
FIG. 3 is a left side elevational view thereof;
FIG. 4 is a rear elevational view thereof;
FIG. 5 is a front elevational view thereof;
FIG. 6 is a top plan view thereof; and,
FIG. 7 is a bottom plan view thereof.
Broken lines shown in the figures represent portions of the medical console that form no part of the claimed design.

CPC A61B 2017/00438; A61B 2090/037
See application file for complete search history.

1 Claim, 7 Drawing Sheets



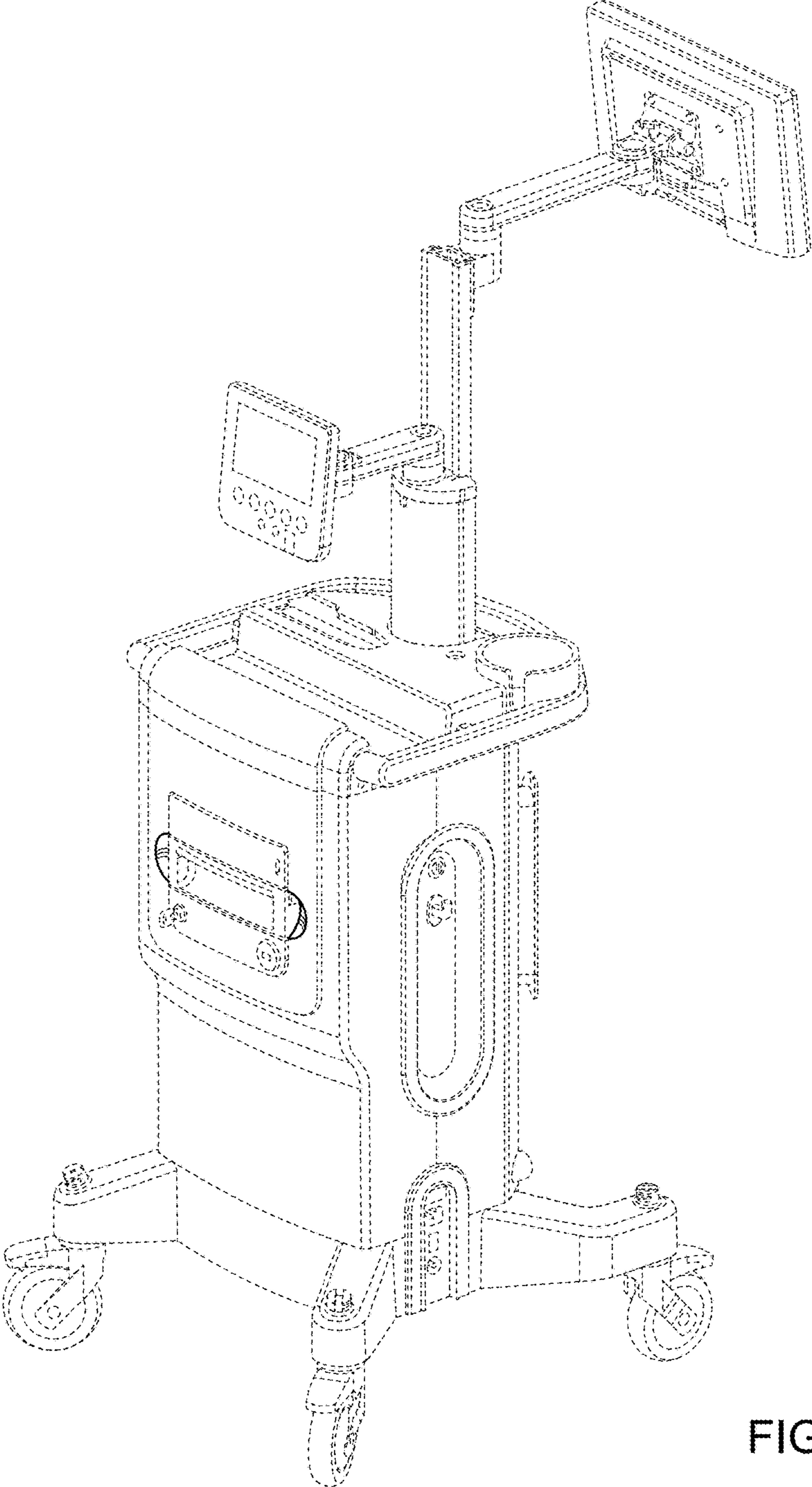


FIG. 1

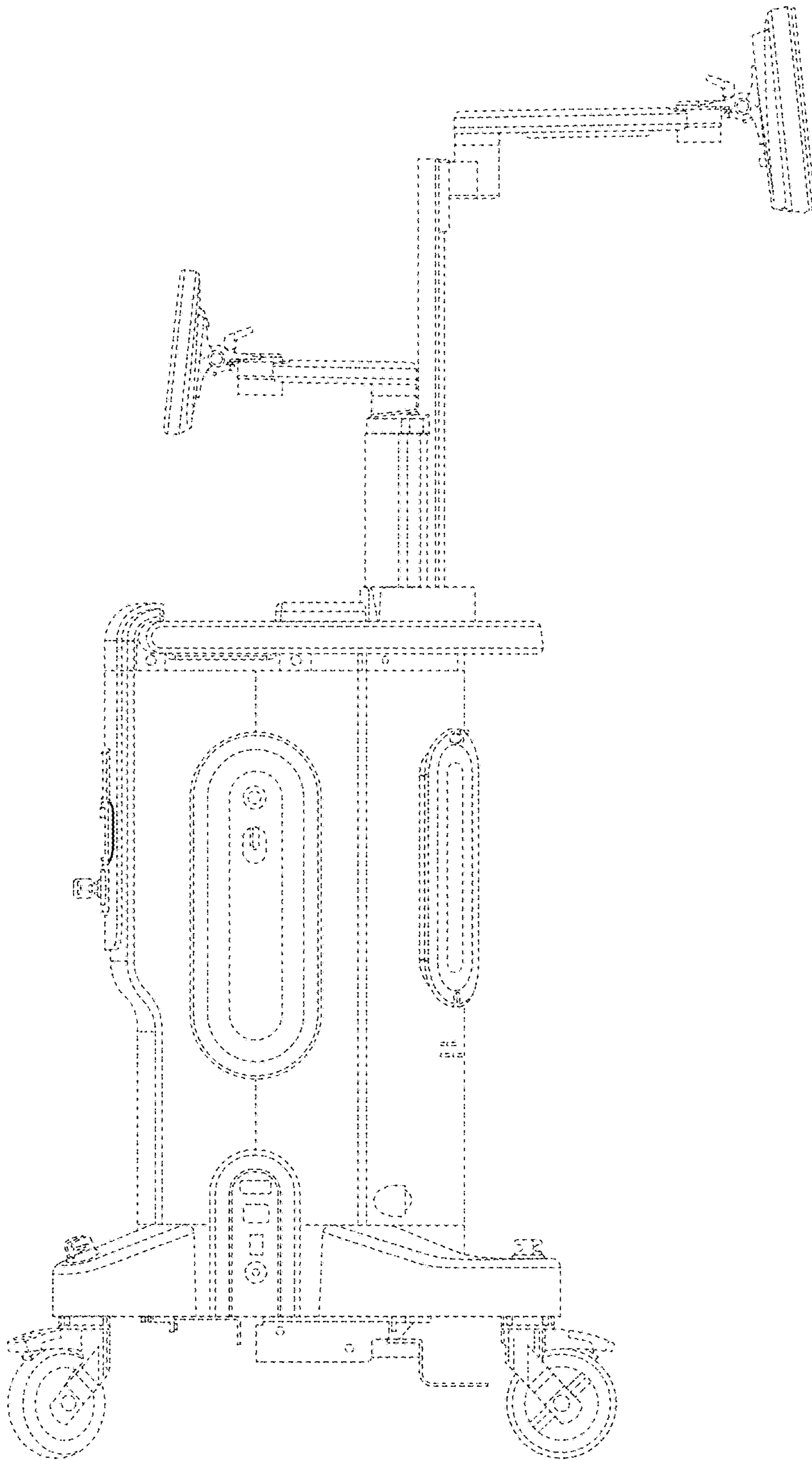


FIG. 2

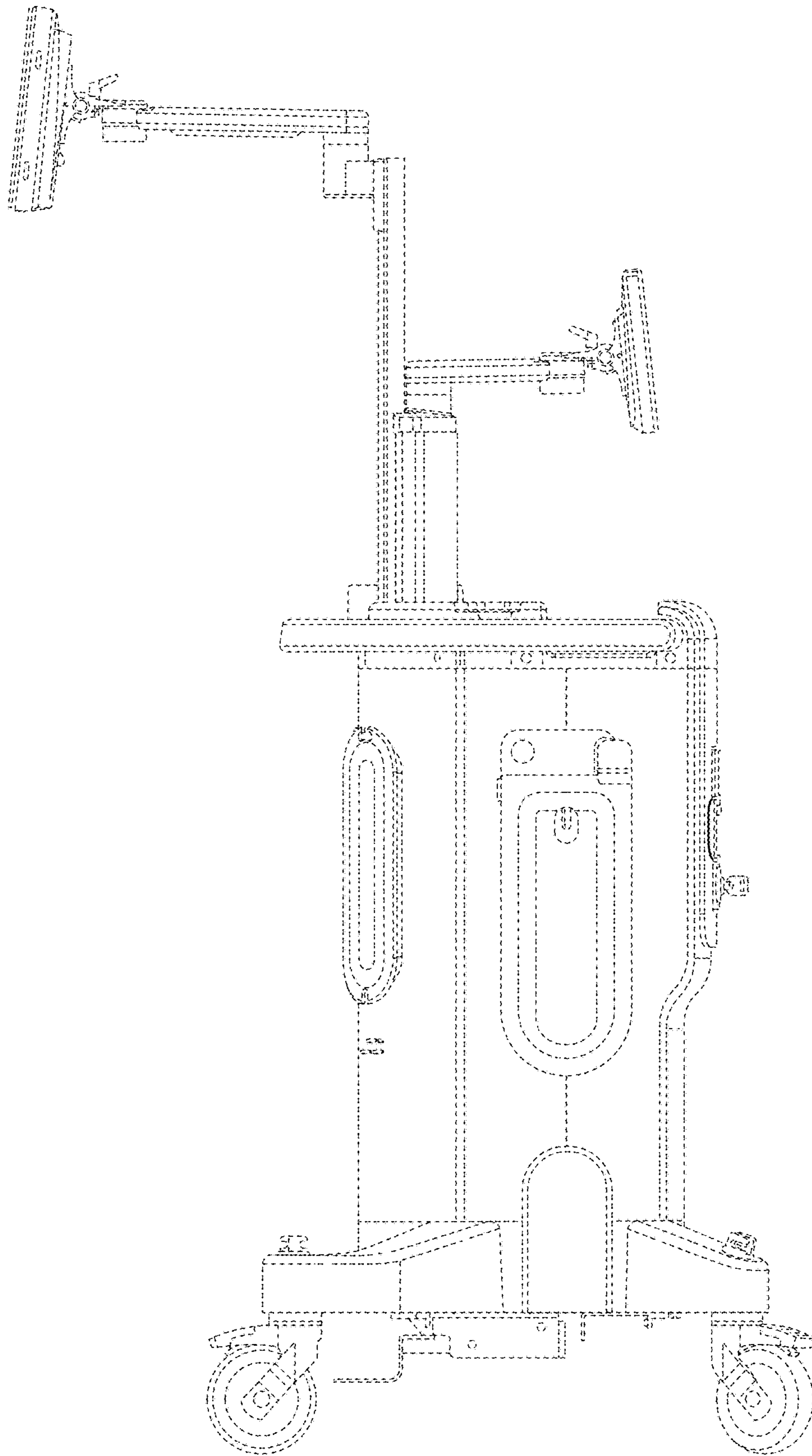


FIG. 3

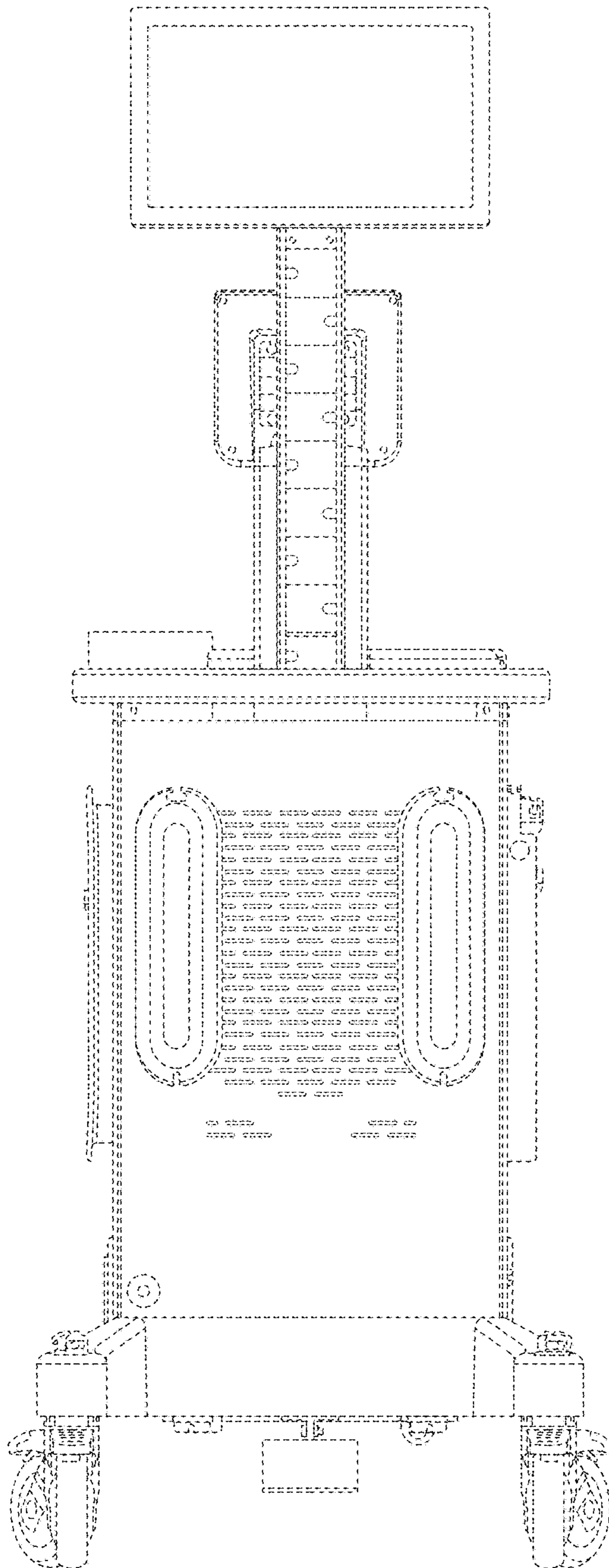


FIG. 4

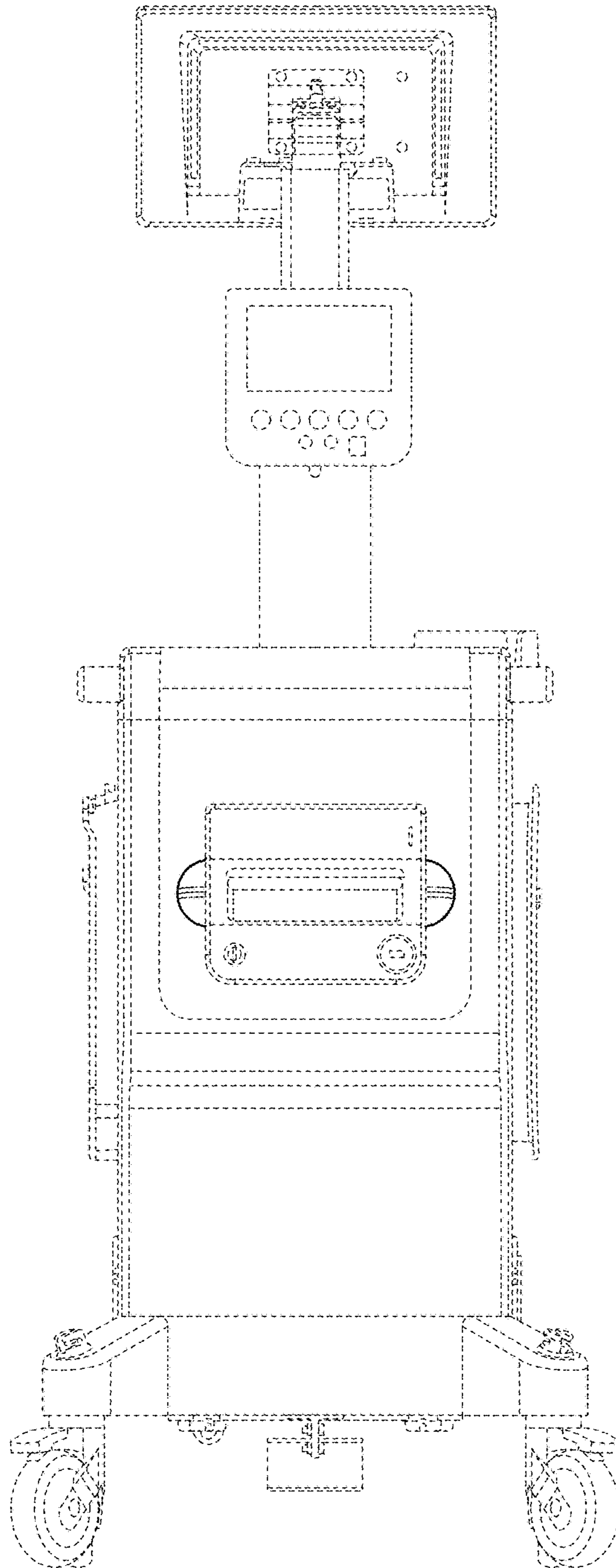


FIG. 5

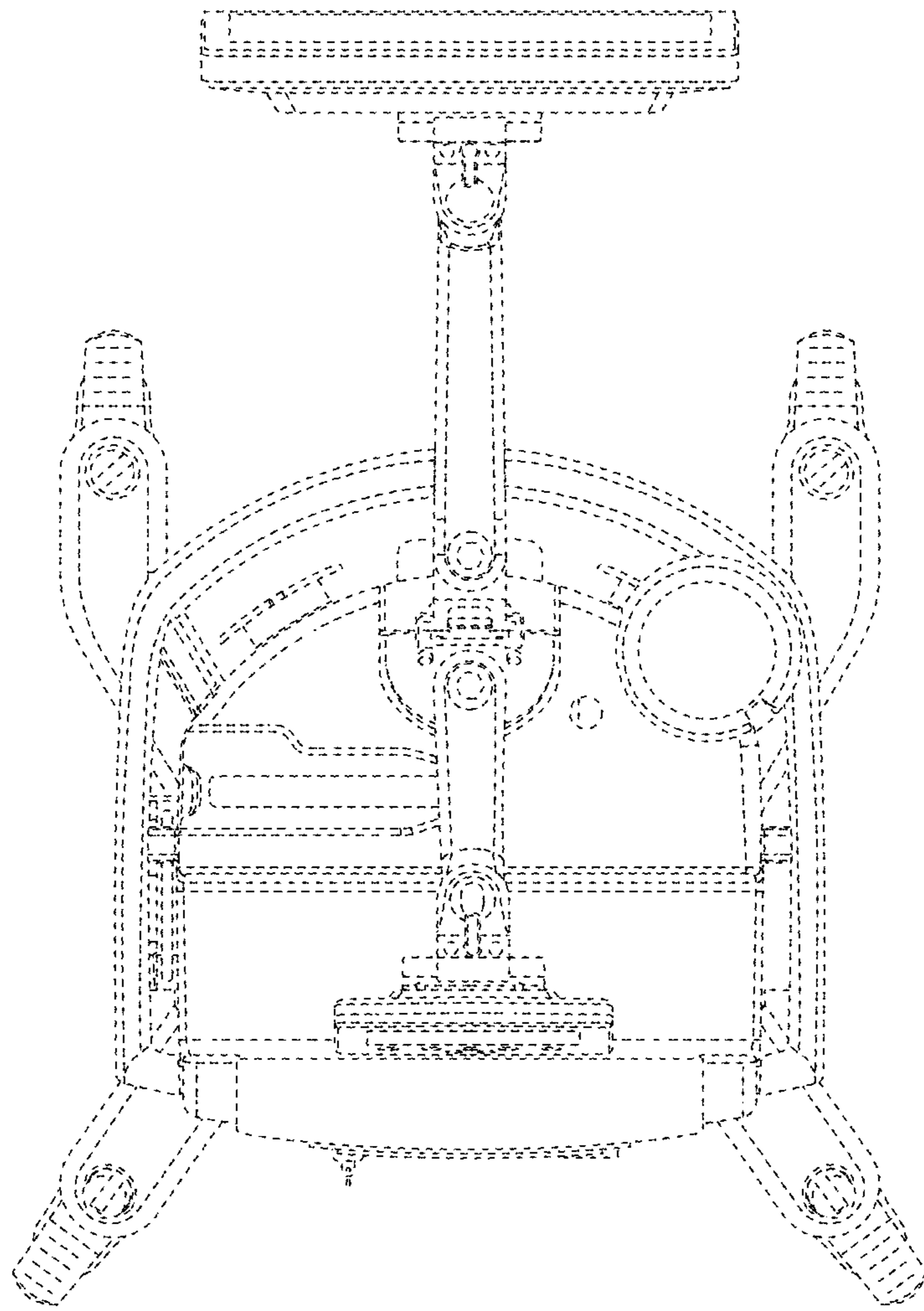


FIG. 6

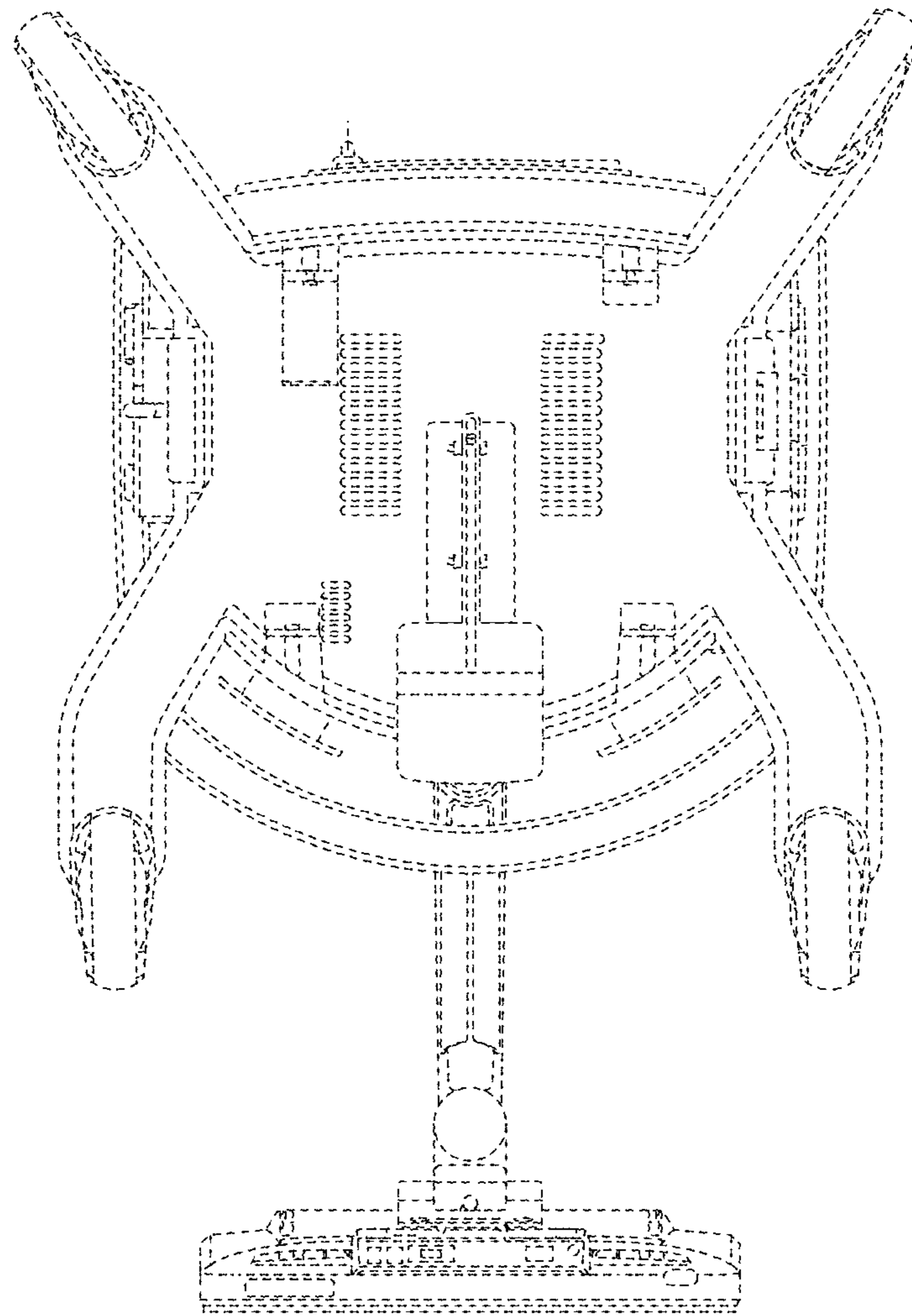


FIG. 7