



US00D816231S

(12) **United States Design Patent**
Rhein et al.

(10) **Patent No.: US D816,231 S**

(45) **Date of Patent: ** Apr. 24, 2018**

(54) **BUCKET ATTACHED TO BODY MASS INDEX METERS**

D611,610 S * 3/2010 Fleck D24/185
D787,346 S * 5/2017 Rhein D10/70
D792,974 S * 7/2017 Roth D24/185
D802,150 S * 11/2017 Lund D24/186

(71) Applicant: **SECA AG**, Reinach (CH)

* cited by examiner

(72) Inventors: **Detlef Rhein**, Hamburg (DE); **Till Garthoff**, Hamburg (DE)

Primary Examiner — George D. Kirschbaum

(**) Term: **15 Years**

(21) Appl. No.: **35/502,398**

(57) **CLAIM**

(22) Filed: **Sep. 14, 2016**

The ornamental design for a bucket attached to body mass index meters, as shown and described.

(80) **Hague Agreement Data**

DESCRIPTION

Int. Filing Date: **Oct. 7, 2016**

1. Bucket attached to body mass index meters

Int. Reg. No.: **DM/094430**

1.1 : Front

Int. Reg. Date: **Oct. 7, 2016**

1.2 : Left

Int. Reg. Pub. Date: **Feb. 3, 2017**

1.3 : Right

(51) **LOC (11) Cl.** **24-02**

1.4 : Back

(52) **U.S. Cl.**

1.5 : Top

USPC **D24/185**

1.6 : Bottom

(58) **Field of Classification Search**

1.7 : Perspective

USPC D10/70, 97-98; D24/167, 185-186
See application file for complete search history.

1.8 : Perspective

(56) **References Cited**

1.9 : Perspective

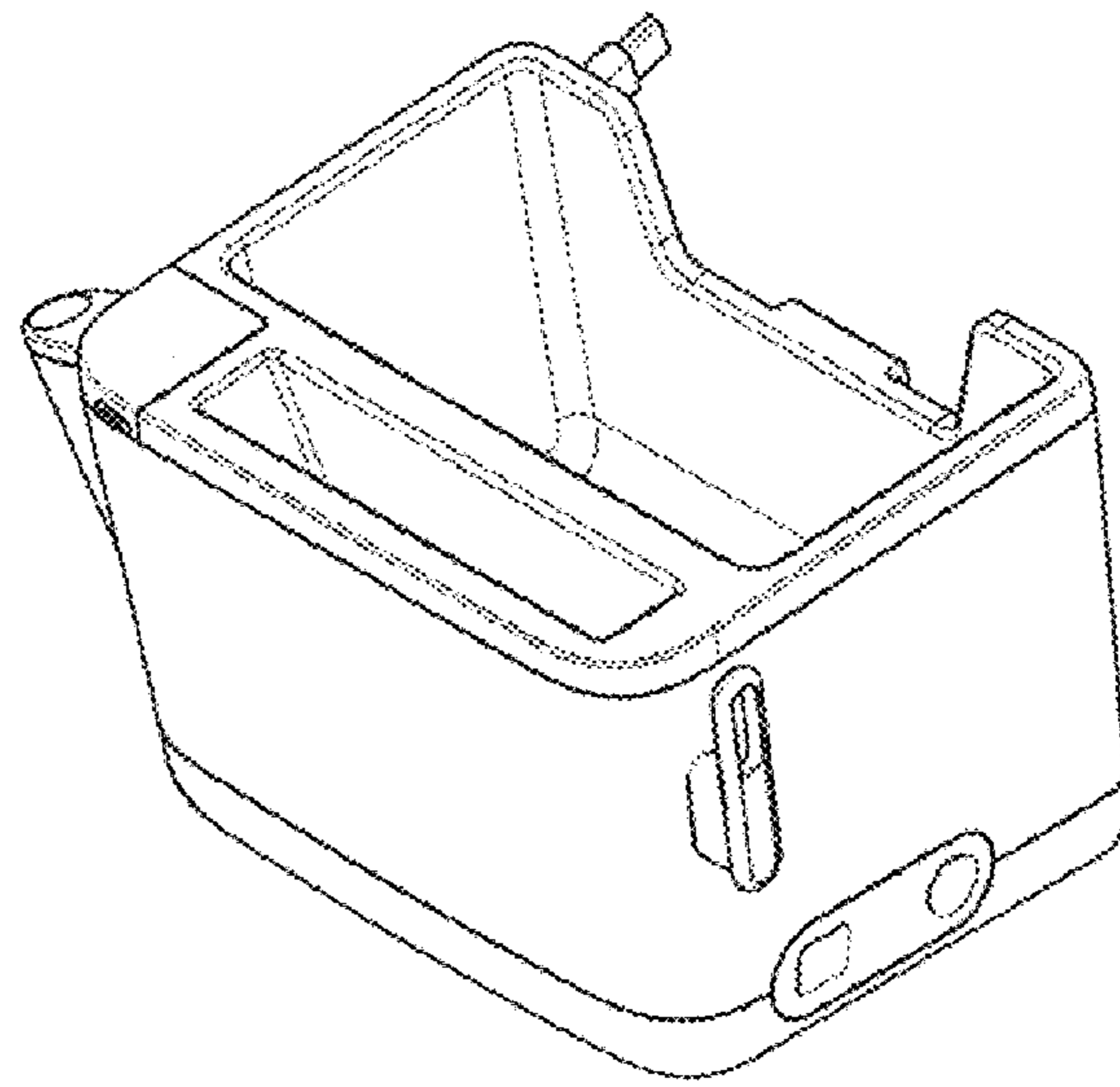
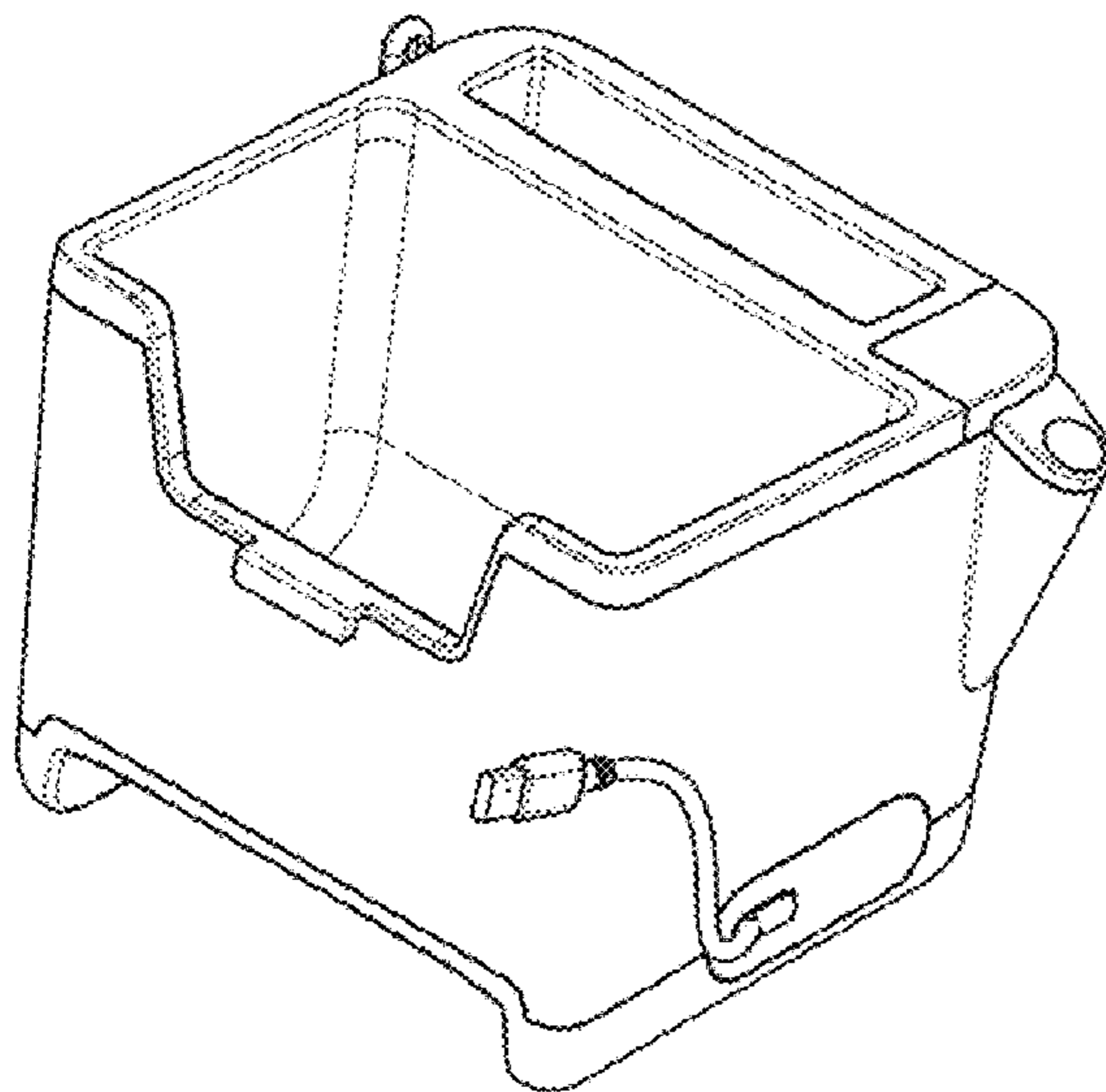
U.S. PATENT DOCUMENTS

1.10 : Perspective

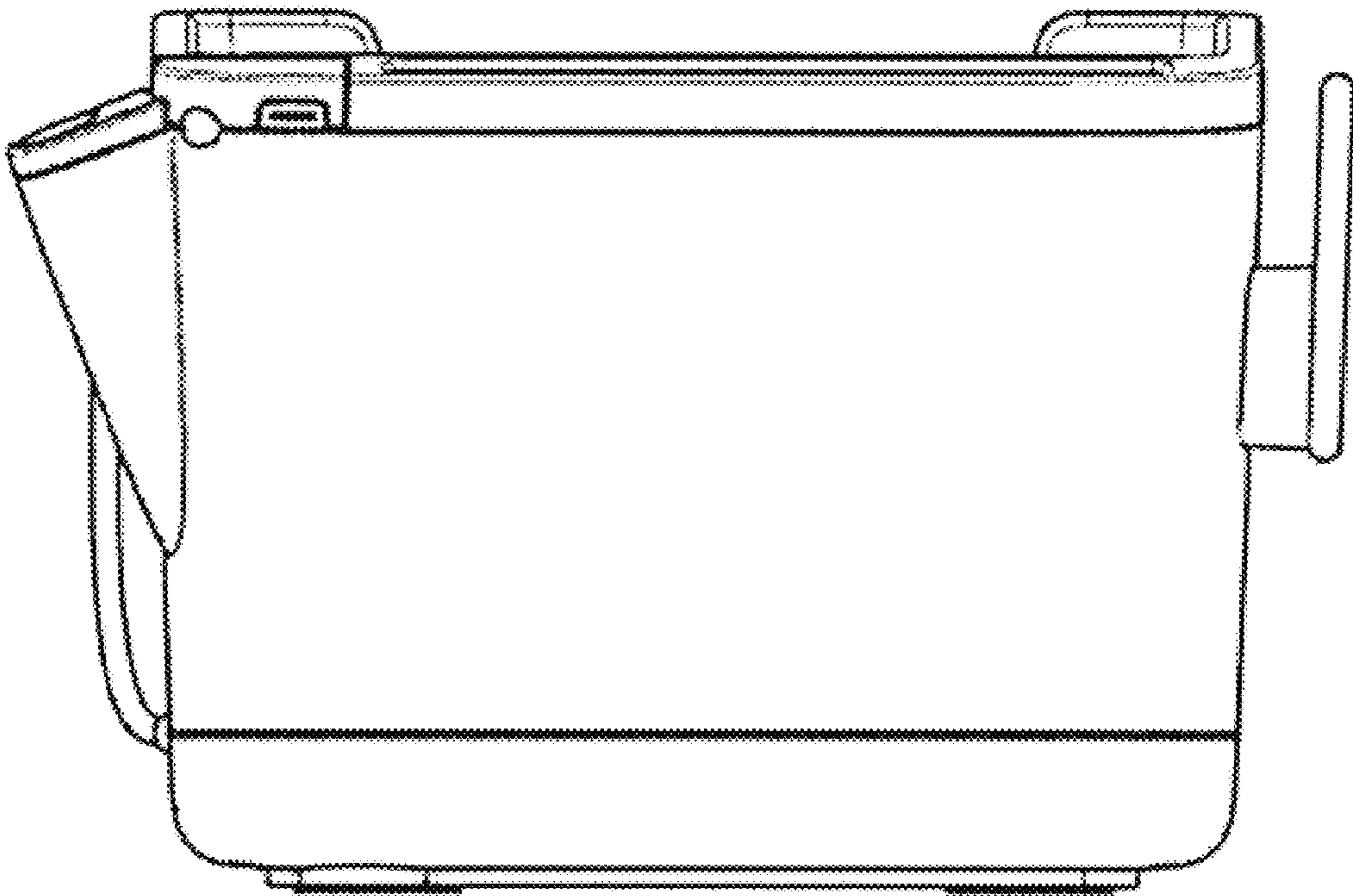
The mass index meter, shown in dotted lines in views **1.9** and **1.10**, form no part of the claimed design.

D437,795 S * 2/2001 Fischer D10/46
D603,048 S * 10/2009 Fleck D24/185

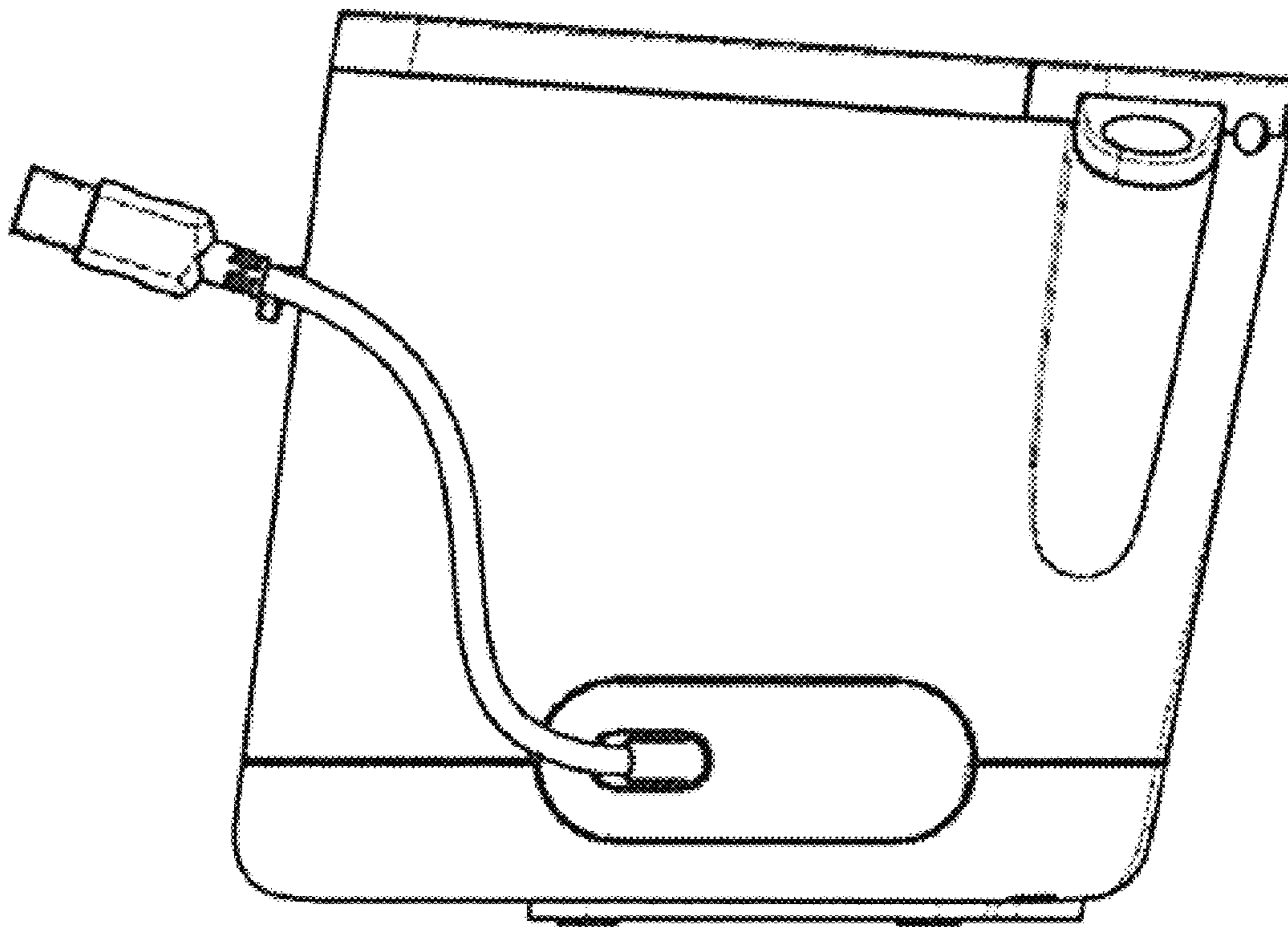
1 Claim, 10 Drawing Sheets



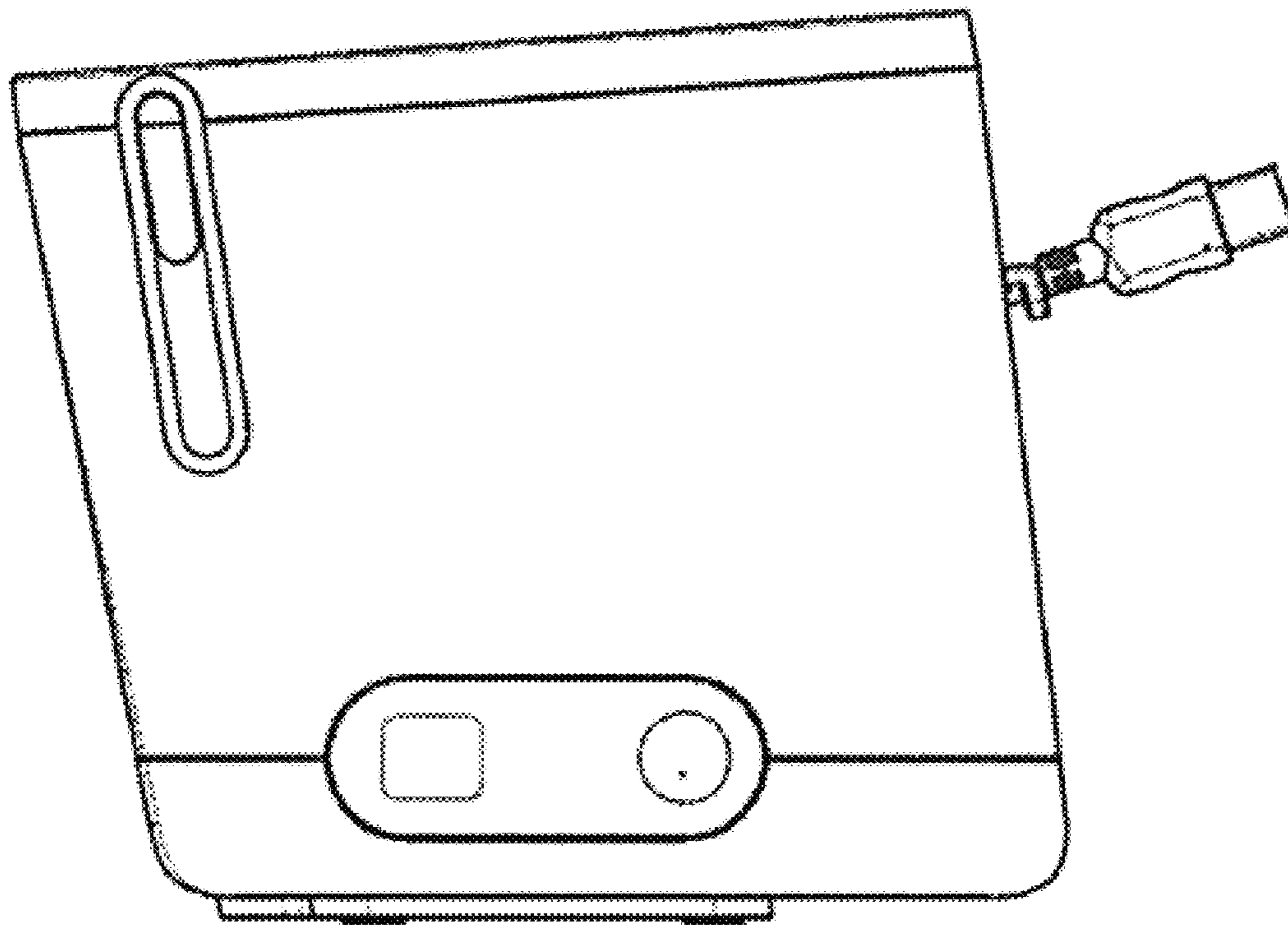
1.1



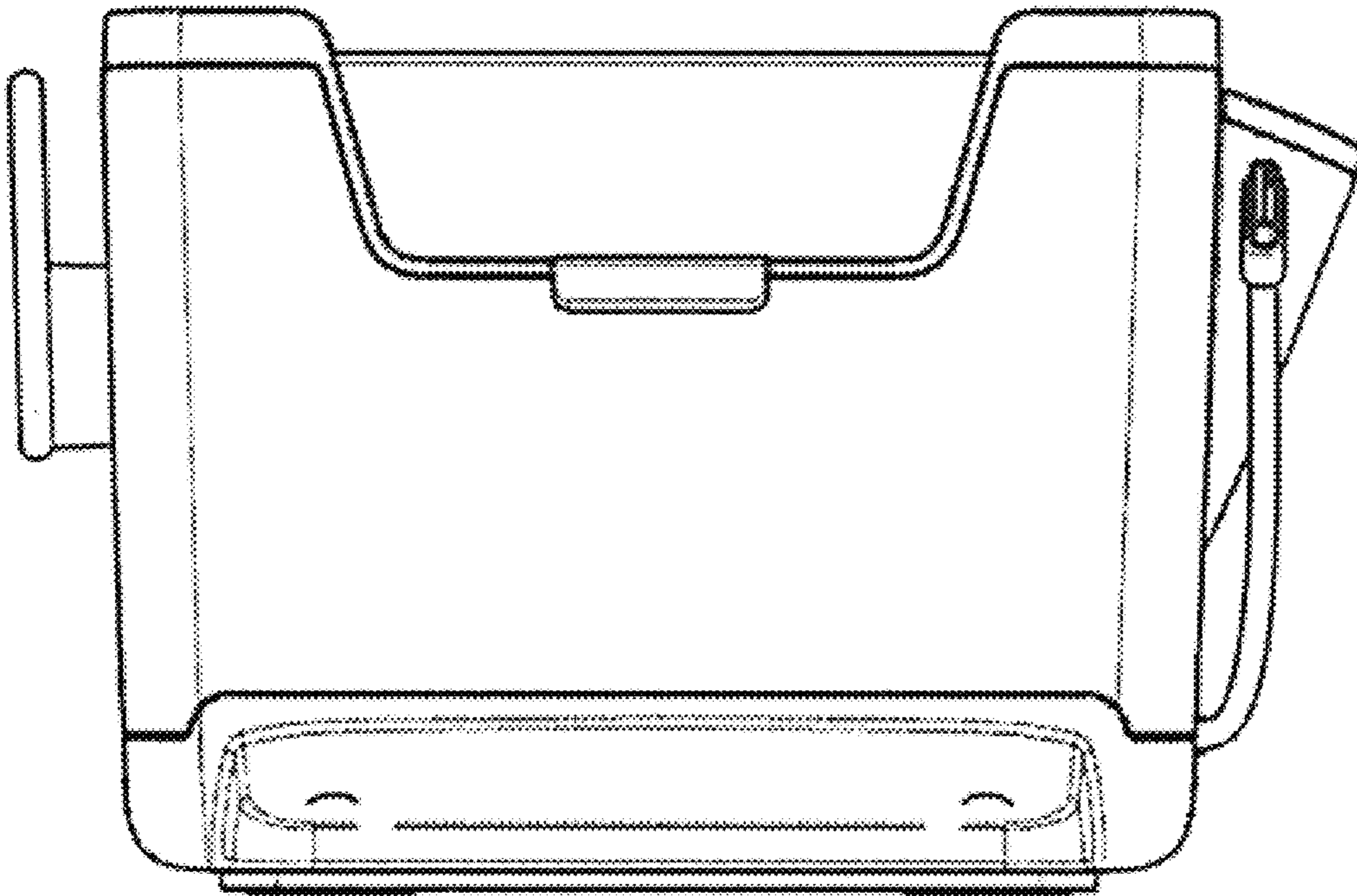
1.2



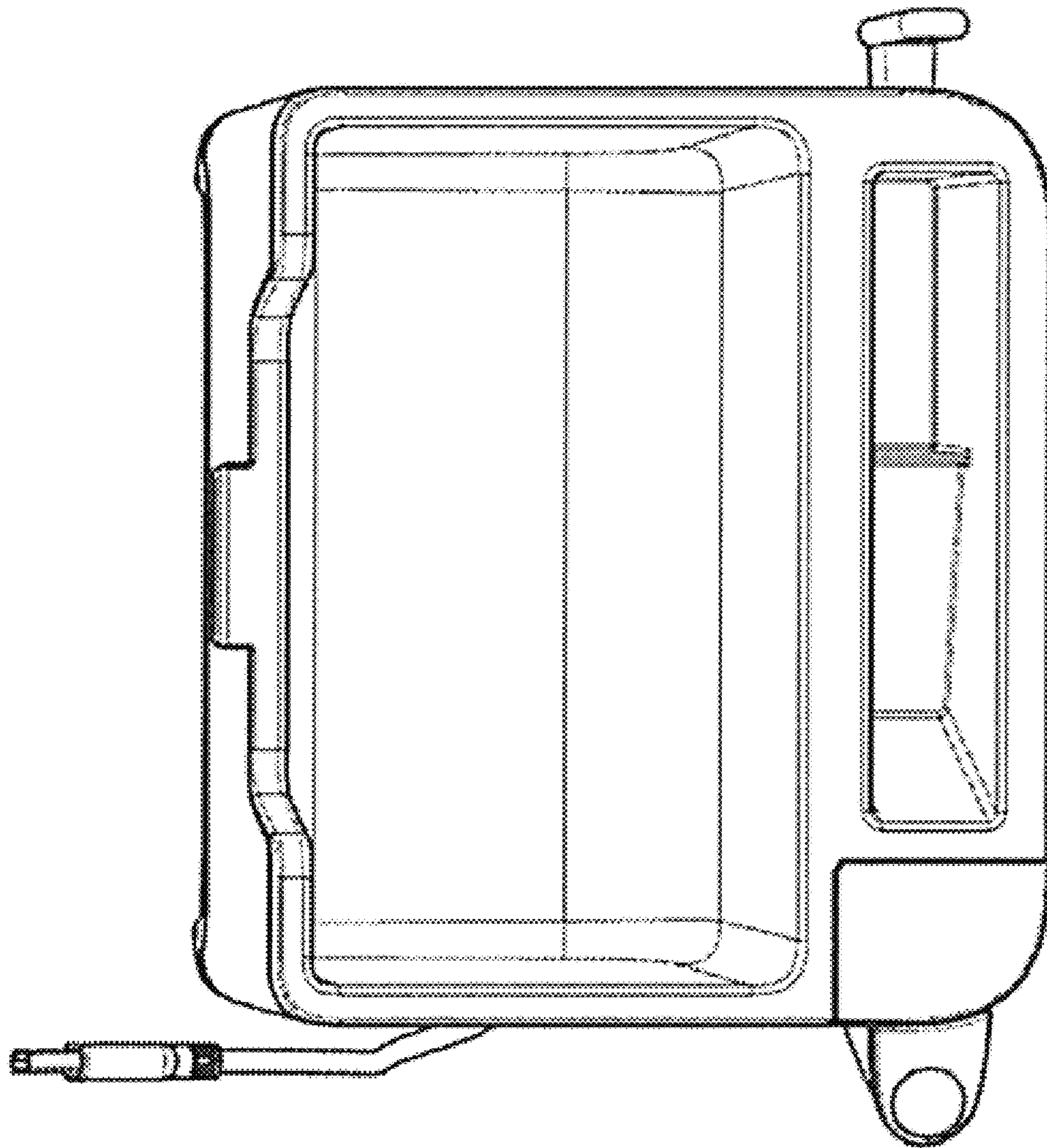
1.3



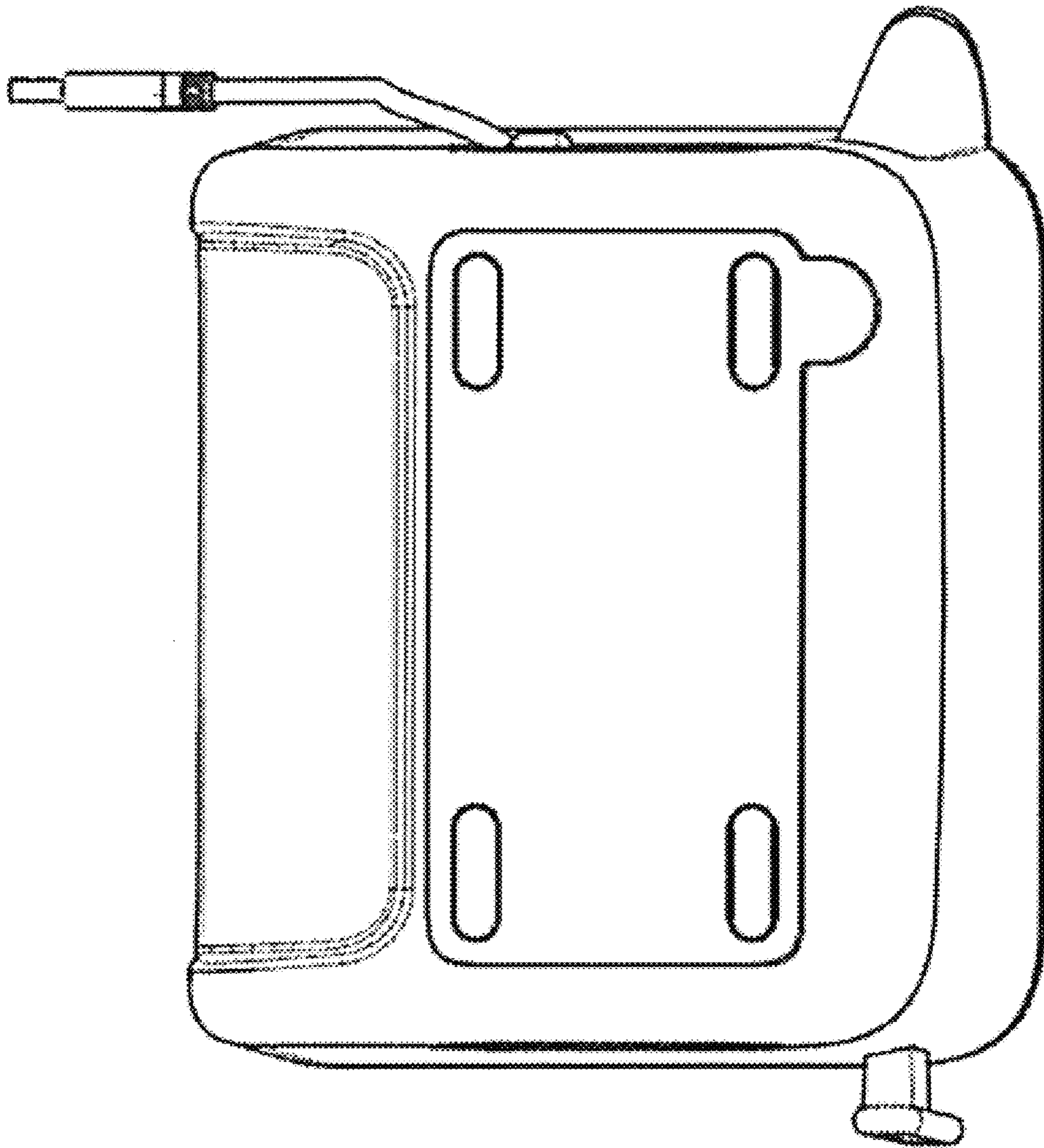
1.4



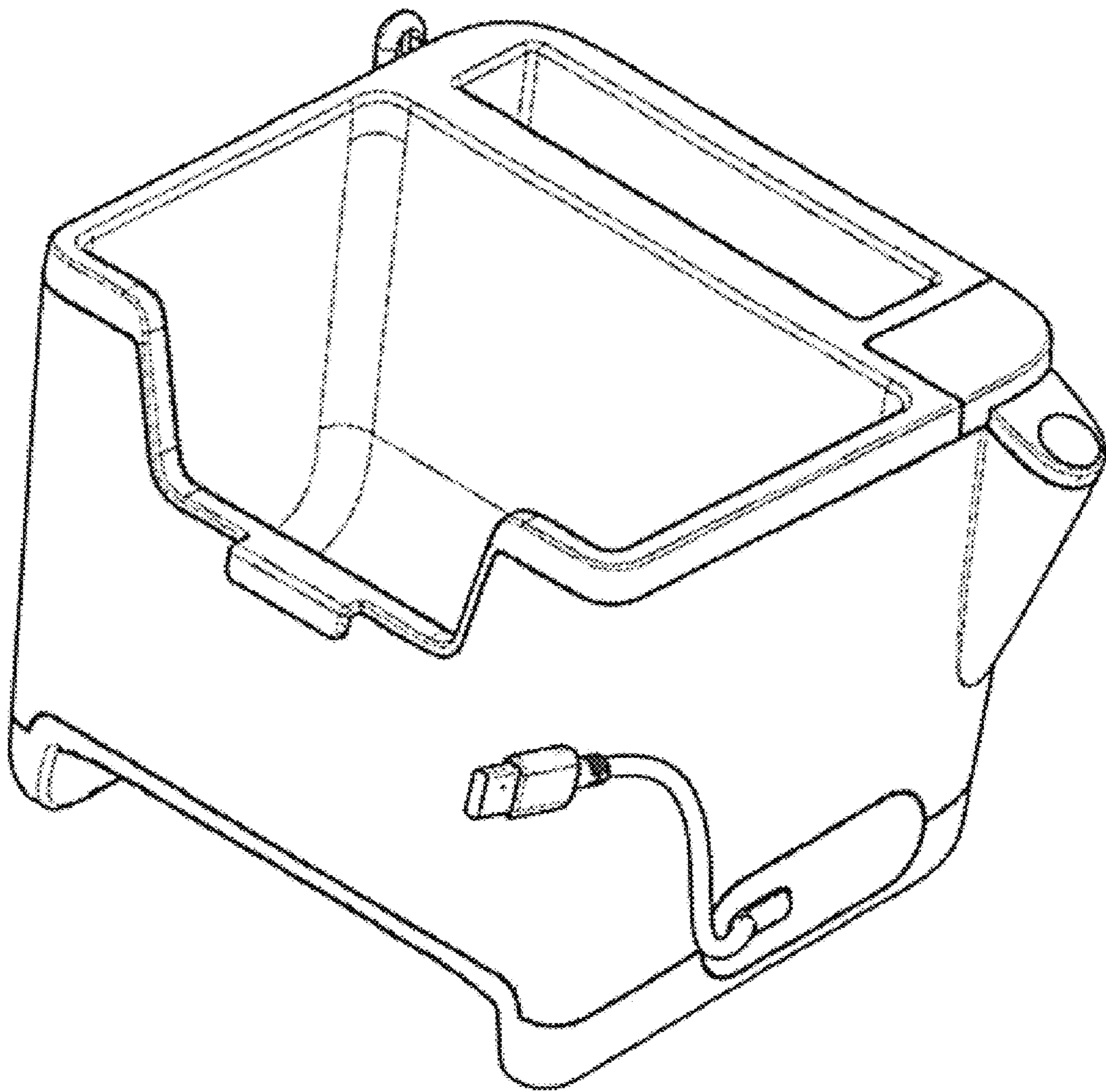
1.5



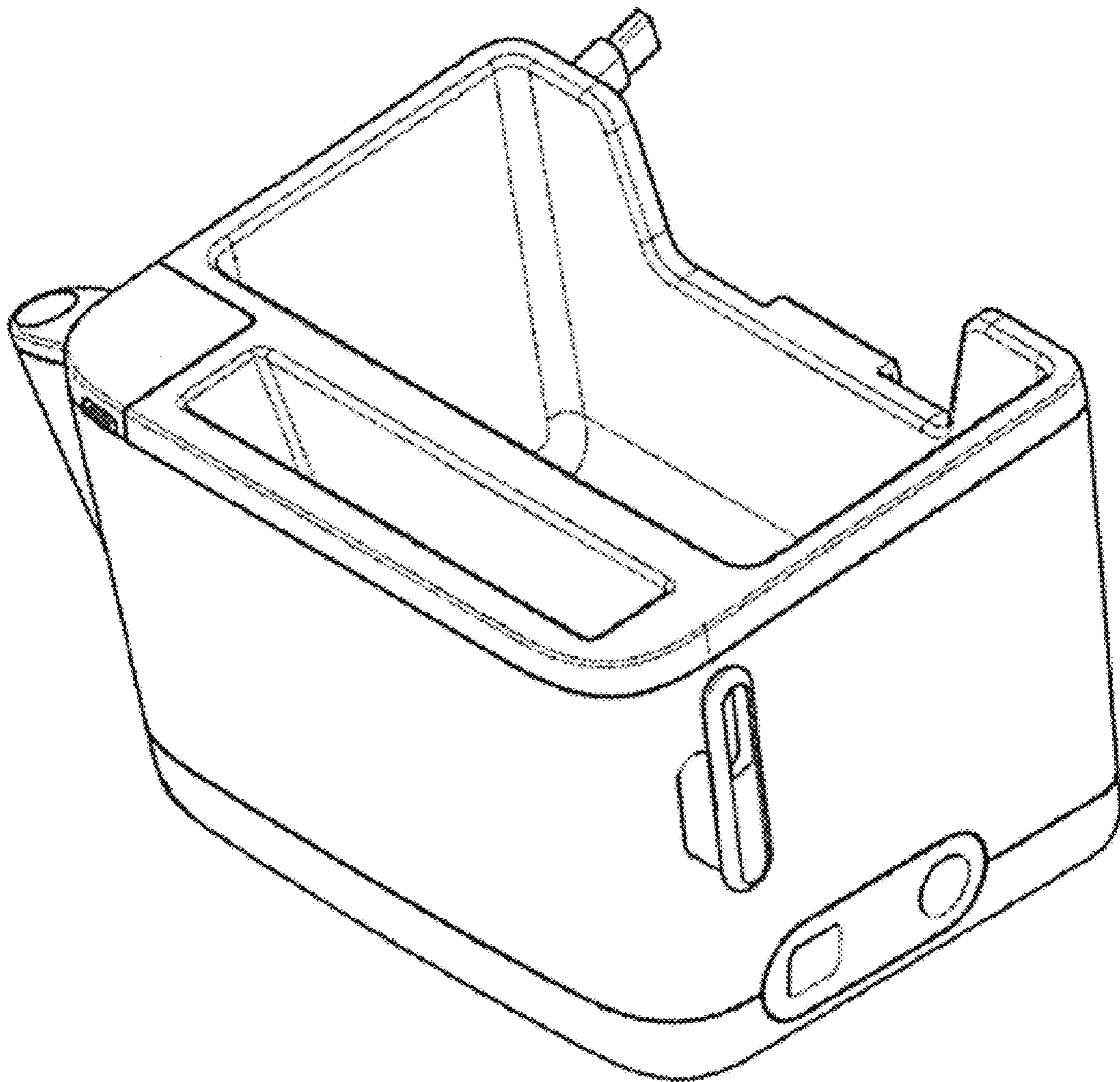
1.6



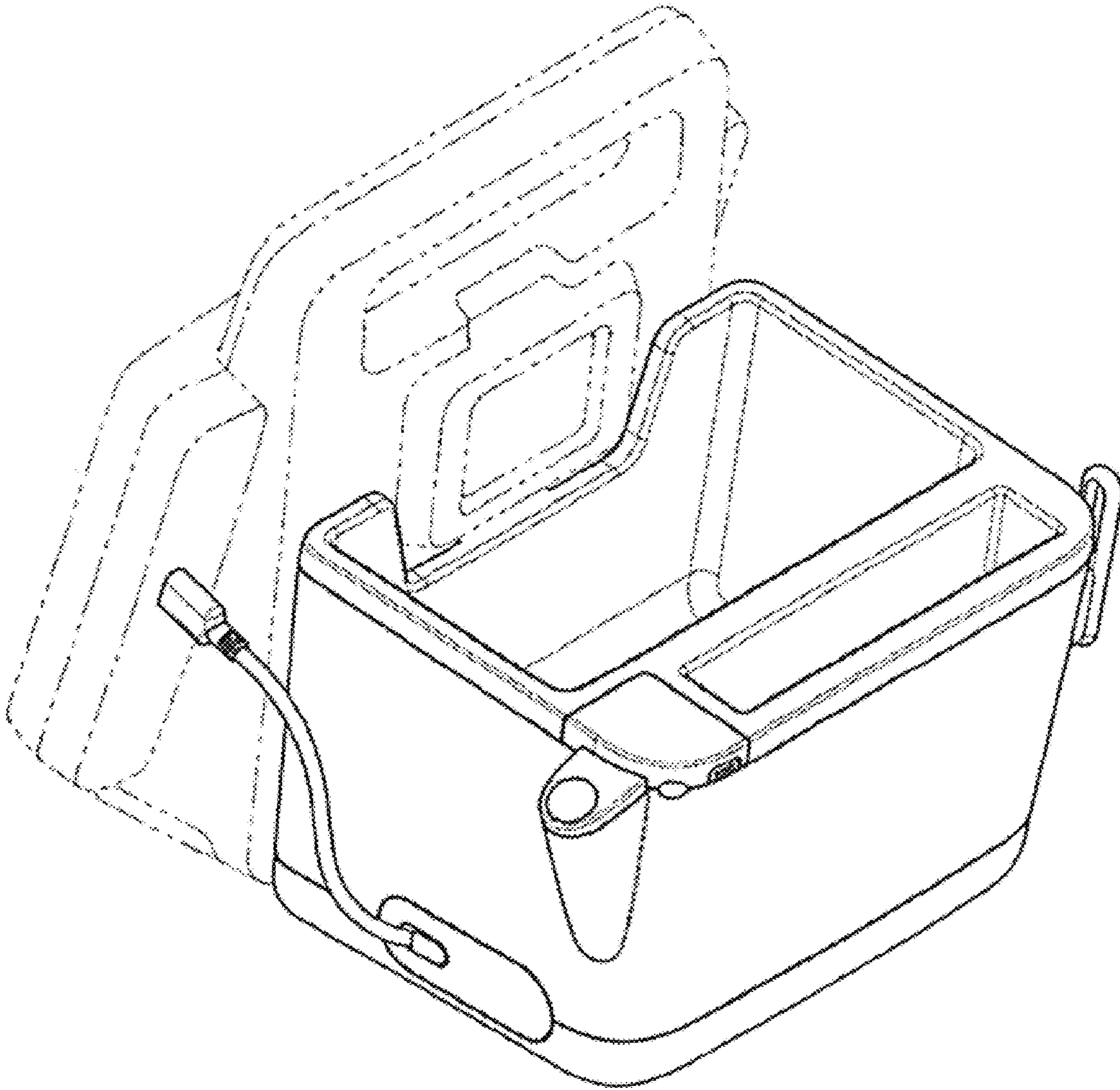
1.7



1.8



1.9



1.10

