



US00D816228S

(12) **United States Design Patent**  
**Evans et al.**

(10) **Patent No.:** **US D816,228 S**  
(45) **Date of Patent:** **\*\* Apr. 24, 2018**

(54) **VASCULAR ACCESS PORT STEM**

(71) Applicant: **C. R. Bard, Inc.**, Murray Hill, NJ (US)

(72) Inventors: **John G. Evans**, South Jordan, UT (US); **Jason R. Stats**, Layton, UT (US)

(73) Assignee: **C. R. Bard, Inc.**, Murray Hill, NJ (US)

(\*\*) Term: **15 Years**

(21) Appl. No.: **29/572,290**

(22) Filed: **Jul. 26, 2016**

(51) **LOC (11) Cl.** ..... **24-01**

(52) **U.S. Cl.**

USPC ..... **D24/169**

(58) **Field of Classification Search**

USPC ..... D24/107, 108, 111, 169, 185, 186, 223, D24/231, 232, 110, 127, 129, 130

CPC .... A61M 1/16; A61M 1/1601; A61M 1/1621; A61M 1/1654; A61M 1/36; A61M 1/3693; A61M 1/3696; A61M 2209/084; A61M 2205/502; A61M 2205/505; A61M 39/0208; A61B 50/10; A61B 50/13; A61B 50/15; A61B 5/0537; G01G 19/44; G01G 19/4146

See application file for complete search history.

(56) **References Cited**

**U.S. PATENT DOCUMENTS**

4,187,848 A 2/1980 Taylor  
4,567,882 A \* 2/1986 Heller ..... A61M 25/01  
128/200.26  
4,723,948 A 2/1988 Clark et al.  
(Continued)

*Primary Examiner* — Anhdao Doan

*Assistant Examiner* — Mary Shannon Malley

(74) *Attorney, Agent, or Firm* — Rutan & Tucker, LLP

(57) **CLAIM**

The ornamental design for a vascular access port stem, as shown and described.

**DESCRIPTION**

FIG. 1 is a front perspective view of a first embodiment of a vascular access port stem;

FIG. 2 is a rear perspective view of the vascular access port stem illustrated in FIG. 1;

FIG. 3 is a first side view of the vascular access port stem illustrated in FIG. 1;

FIG. 4 is a second side view of the vascular access port stem illustrated in FIG. 1;

FIG. 5 is a top view of the vascular access port stem illustrated in FIG. 1;

FIG. 6 is a bottom view of the vascular access port stem illustrated in FIG. 1;

FIG. 7 is a front view of the vascular access port stem illustrated in FIG. 1;

FIG. 8 is a rear view of the vascular access port stem illustrated in FIG. 1;

FIG. 9 is a front perspective view of a second embodiment of a vascular access port stem;

FIG. 10 is a rear perspective view of the vascular access port stem illustrated in FIG. 9;

FIG. 11 is a first side view of the vascular access port stem illustrated in FIG. 9;

FIG. 12 is a second side view of the vascular access port stem illustrated in FIG. 9;

FIG. 13 is a top view of the vascular access port stem illustrated in FIG. 9;

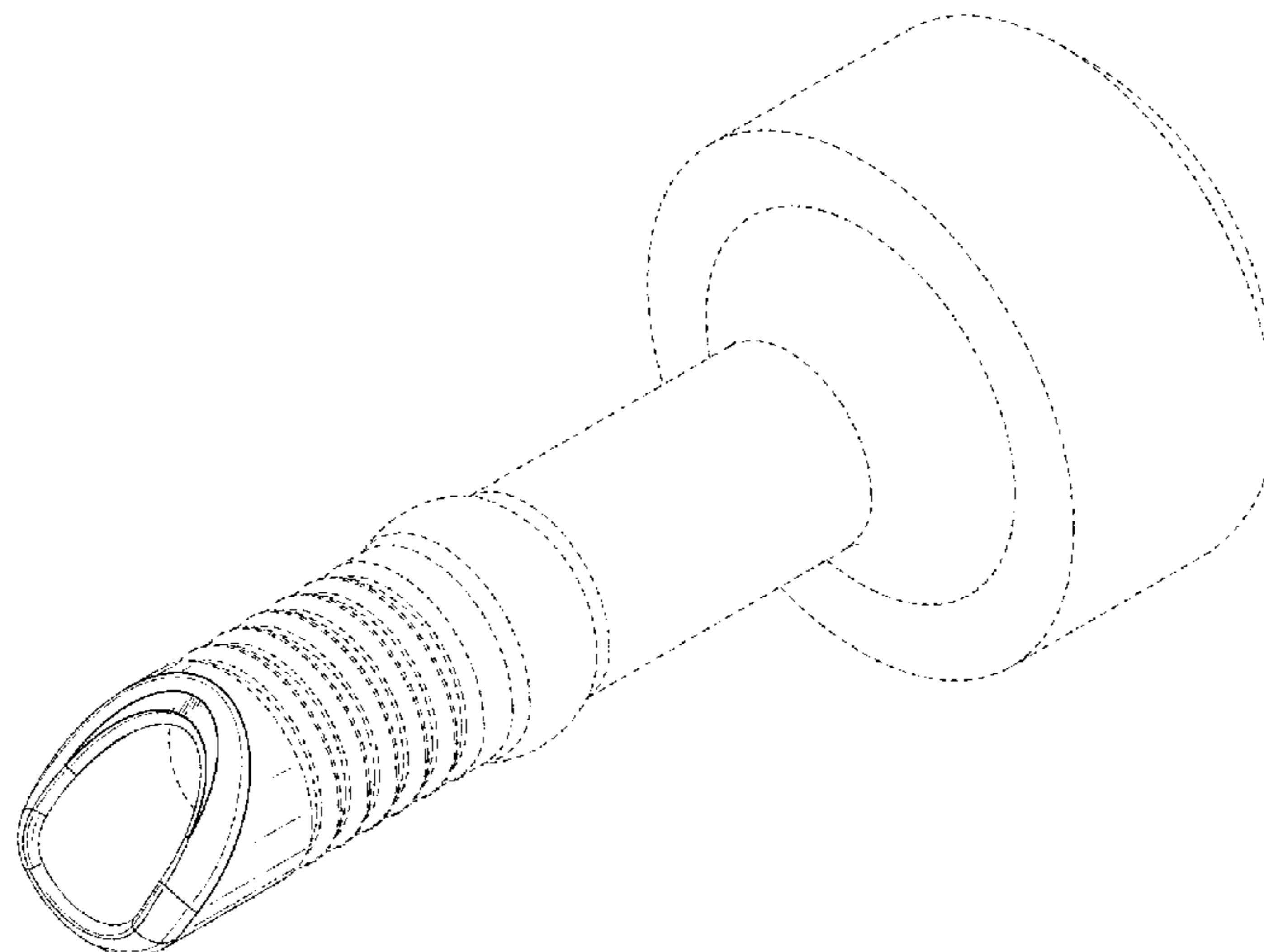
FIG. 14 is a bottom view of the vascular access port stem illustrated in FIG. 9;

FIG. 15 is a front view of the vascular access port stem illustrated in FIG. 9; and,

FIG. 16 is a bottom view of the vascular access port stem illustrated in FIG. 9.

The broken lines immediately adjacent the shaded areas represent the bounds of the claimed design while all other broken lines are directed to environment; the broken lines form no part of the claimed design.

**1 Claim, 8 Drawing Sheets**



(56)

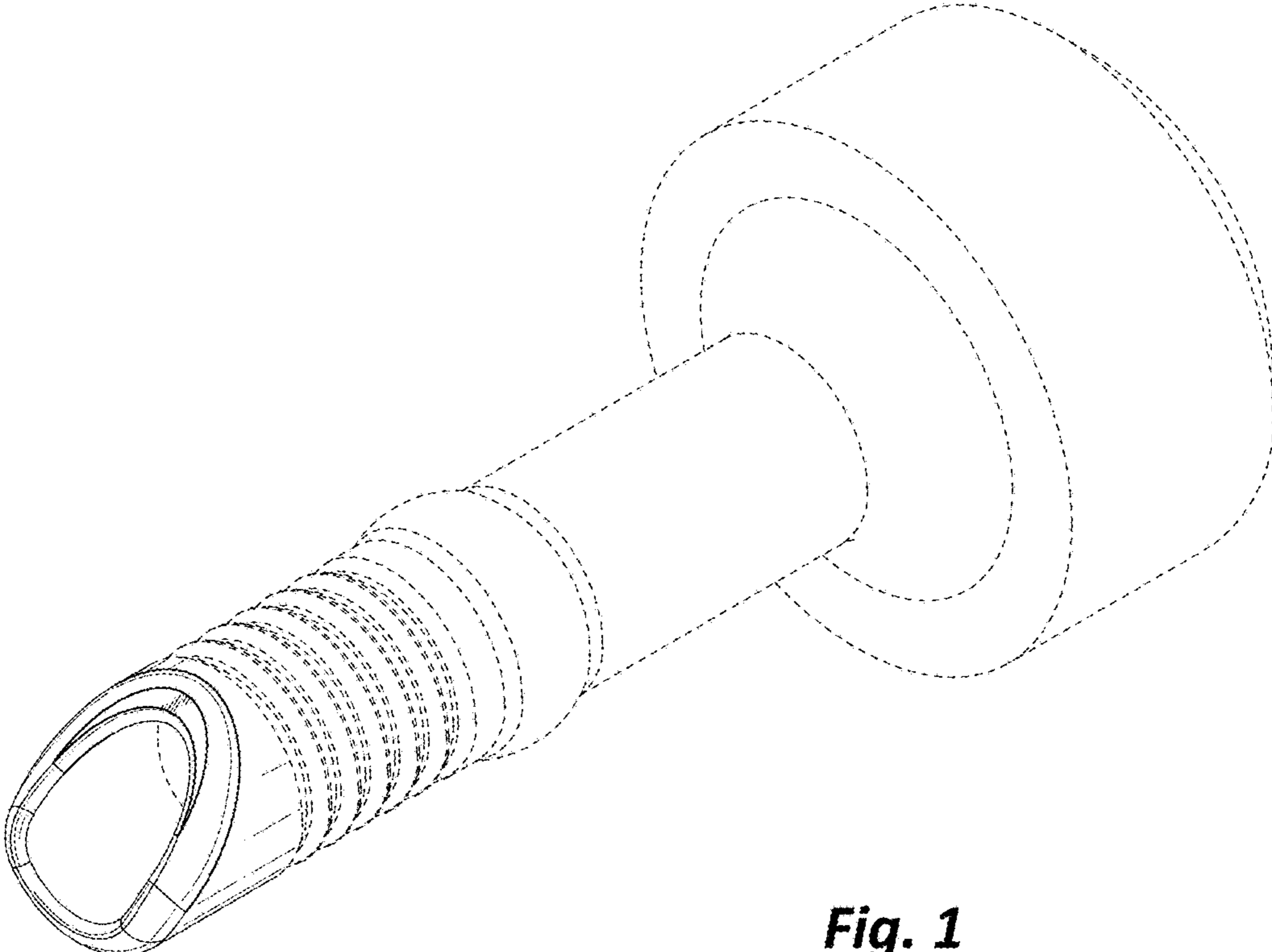
References Cited

U.S. PATENT DOCUMENTS

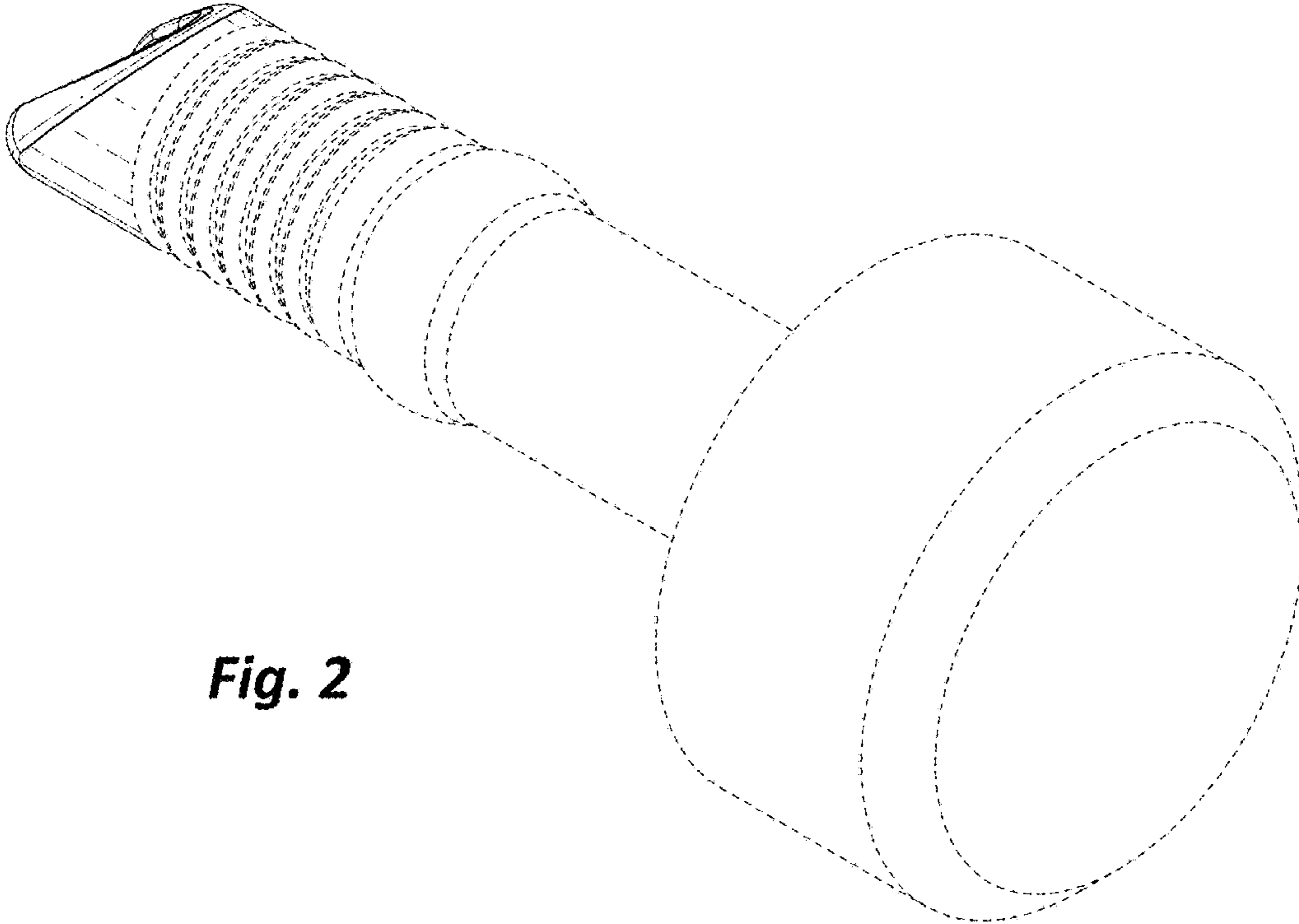
4,772,270 A 9/1988 Wiita et al.  
 4,929,236 A 5/1990 Sampson  
 5,041,098 A 8/1991 Loiterman et al.  
 D385,628 S \* 10/1997 Echevarria ..... D24/112  
 5,849,186 A \* 12/1998 Raneri ..... A61M 1/3627  
 210/315  
 6,039,712 A 3/2000 Fogarty et al.  
 6,221,064 B1 4/2001 Nadal  
 6,352,521 B1 3/2002 Prosl  
 6,398,764 B1 6/2002 Finch, Jr. et al.  
 6,478,783 B1 11/2002 Moorehead  
 D473,646 S \* 4/2003 Baillargeon ..... D24/129  
 6,620,124 B1 9/2003 Peavey  
 7,172,574 B2 2/2007 Lundgren et al.  
 D541,936 S \* 5/2007 Patterson ..... 604/523  
 D559,980 S \* 1/2008 Rehbein ..... D24/133  
 D570,479 S \* 6/2008 Rehbein ..... D24/108  
 7,387,624 B2 6/2008 Nelson  
 7,632,263 B2 12/2009 Denoth et al.  
 7,819,840 B2 \* 10/2010 Burnside ..... A61M 25/10  
 604/101.01  
 7,846,139 B2 12/2010 Zinn et al.  
 D635,664 S \* 4/2011 Beck ..... D24/129  
 8,057,430 B2 11/2011 Grovender et al.  
 D663,027 S \* 7/2012 Halder ..... D24/137  
 D671,209 S \* 11/2012 Row ..... D24/129  
 D671,221 S \* 11/2012 Donaldson ..... D24/108  
 8,357,119 B2 1/2013 Stout et al.  
 8,696,647 B2 4/2014 Bizup et al.

8,738,151 B2 5/2014 Nelson  
 D709,188 S \* 7/2014 Guala ..... D24/130  
 8,790,586 B2 7/2014 O'Connell et al.  
 D715,920 S \* 10/2014 Floyd ..... D24/107  
 8,905,962 B2 12/2014 Asano et al.  
 8,936,582 B2 1/2015 Szweda et al.  
 9,114,227 B2 \* 8/2015 Blanchard ..... A61B 17/3415  
 D739,527 S \* 9/2015 Chauvette ..... D24/129  
 9,149,621 B2 10/2015 Bizup  
 9,186,455 B2 11/2015 Moyer  
 9,186,491 B2 11/2015 Casiello et al.  
 9,227,047 B2 1/2016 Khalaj  
 D757,929 S \* 5/2016 Kerber ..... D24/110.1  
 D773,660 S \* 12/2016 Shiozaki ..... D24/130  
 D782,026 S \* 3/2017 Bresco Torras ..... D24/108  
 D784,556 S \* 4/2017 Alden ..... D24/232  
 D790,697 S \* 6/2017 Bresco Torras ..... D24/138  
 D791,317 S \* 7/2017 Bresco Torras ..... D24/138  
 9,700,224 B2 \* 7/2017 Ofek ..... A61L 29/14  
 9,750,910 B2 \* 9/2017 Chaturvedi ..... A61M 16/0463  
 2007/0073250 A1 3/2007 Schneiter  
 2007/0270770 A1 11/2007 Bizup  
 2008/0319398 A1 12/2008 Bizup  
 2009/0221960 A1 \* 9/2009 Albrecht ..... A61B 17/3421  
 604/103.03  
 2012/0041426 A1 2/2012 Bizup  
 2012/0065625 A1 3/2012 Nelson  
 2012/0116315 A1 5/2012 Klepac  
 2013/0023729 A1 \* 1/2013 Vazales ..... A61B 1/0669  
 600/104  
 2015/0283371 A1 10/2015 Raman

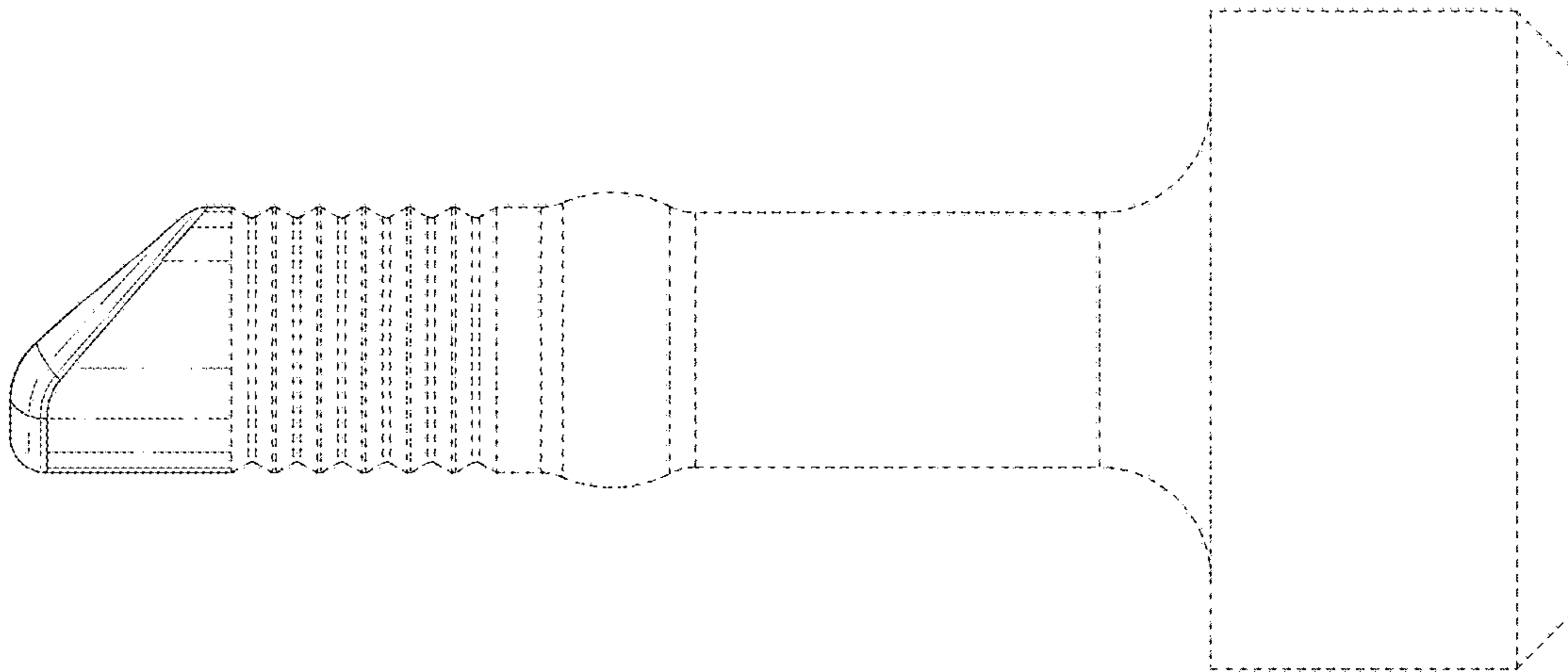
\* cited by examiner



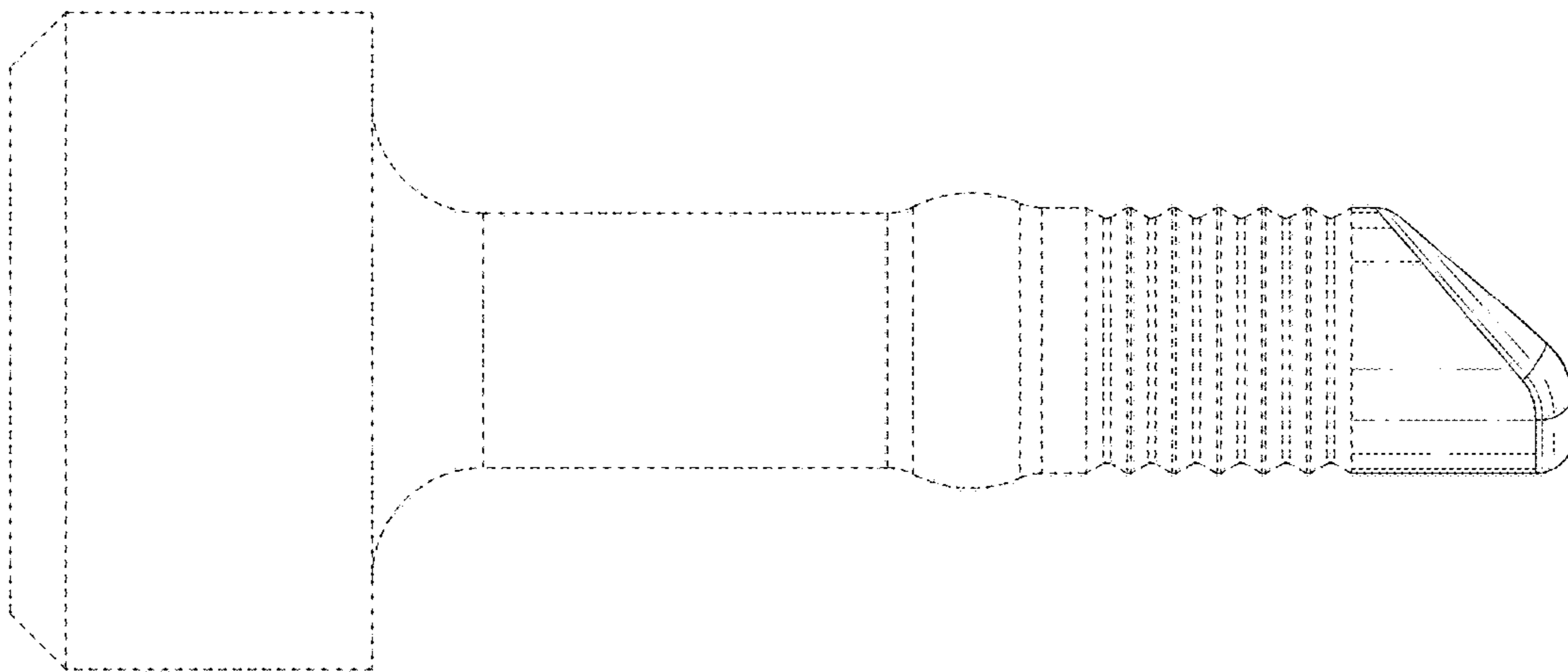
**Fig. 1**



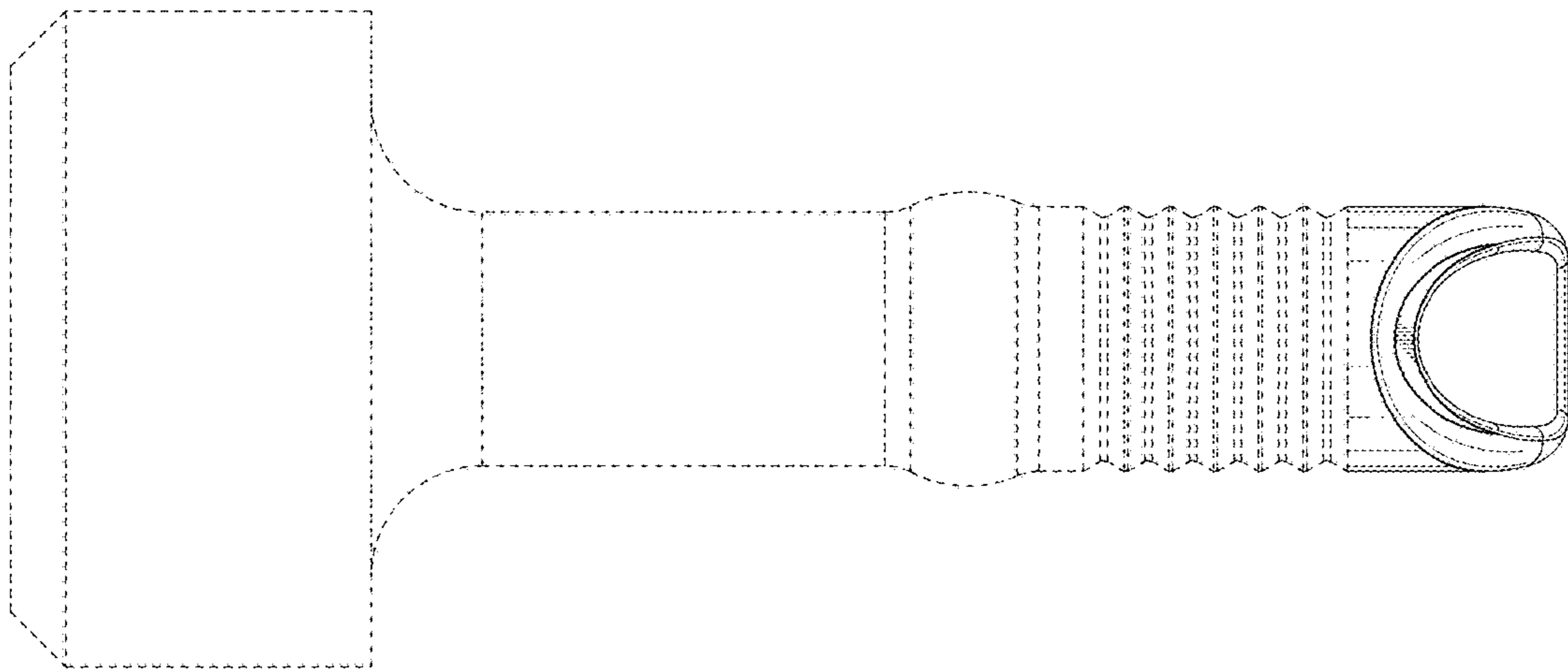
**Fig. 2**



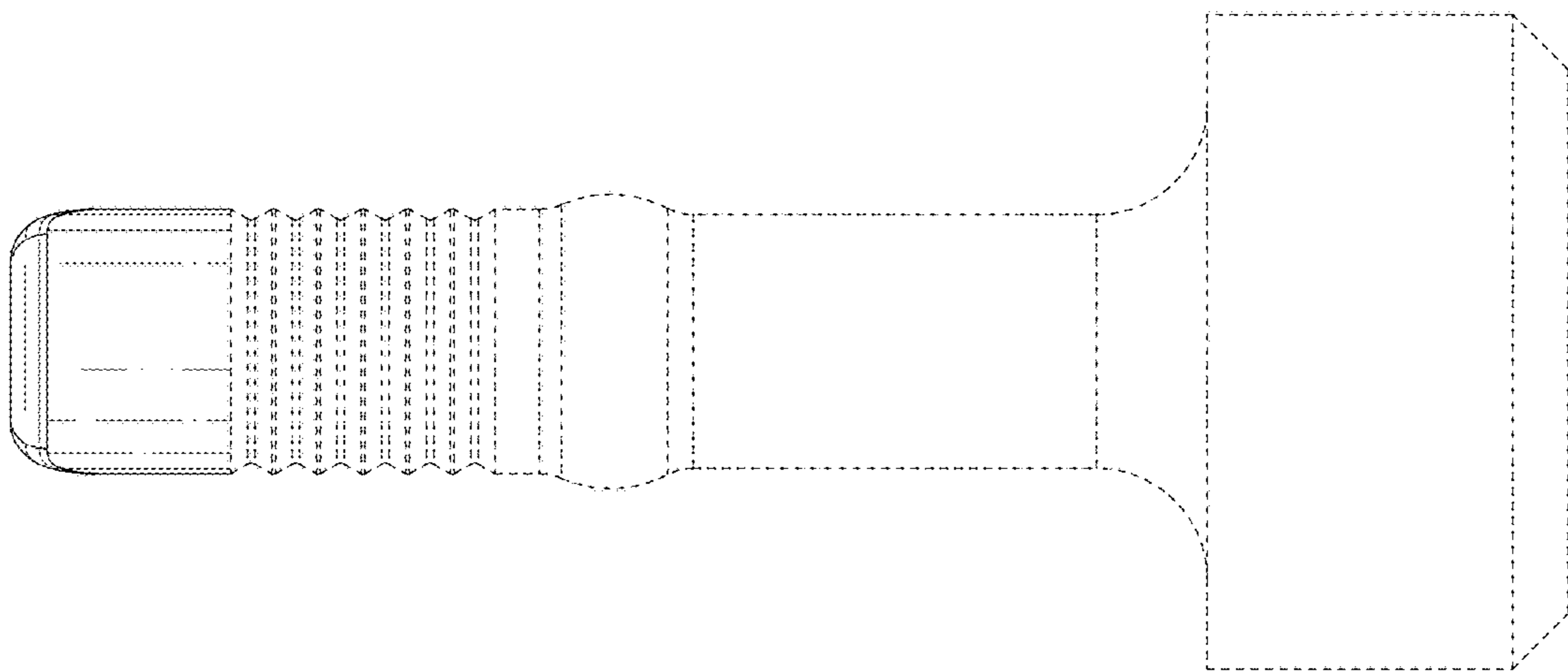
**Fig. 3**



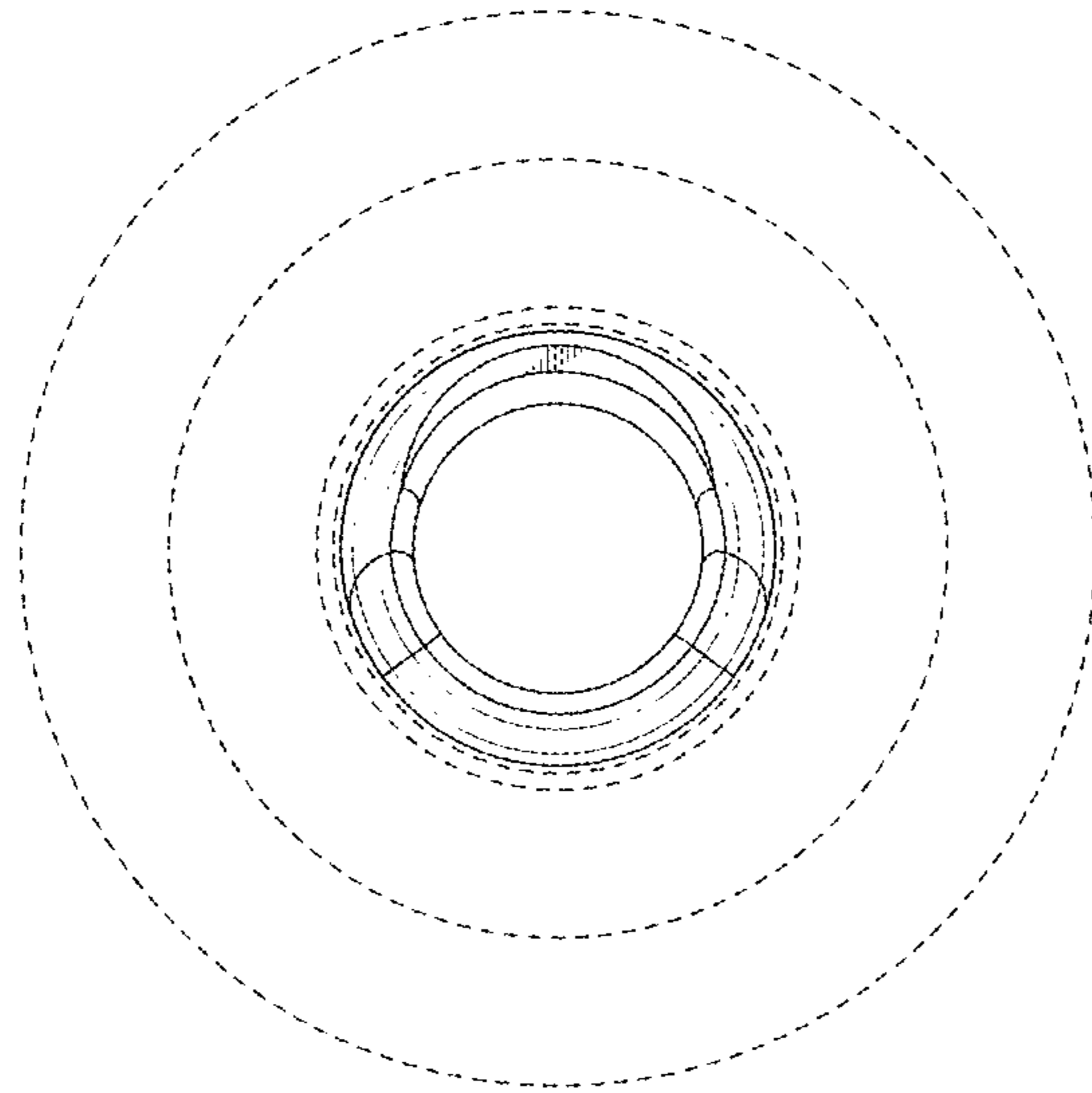
**Fig. 4**



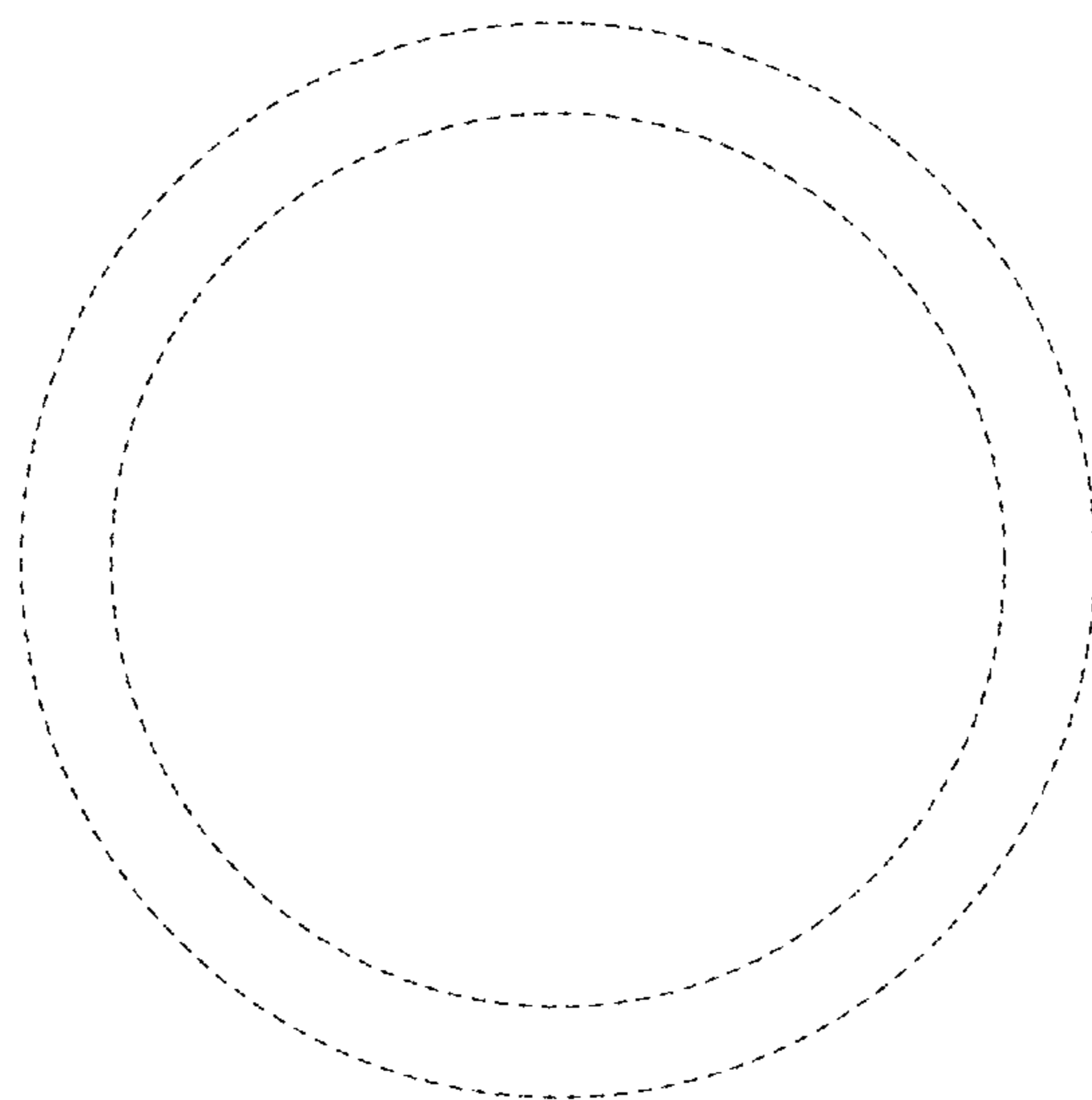
**Fig. 5**



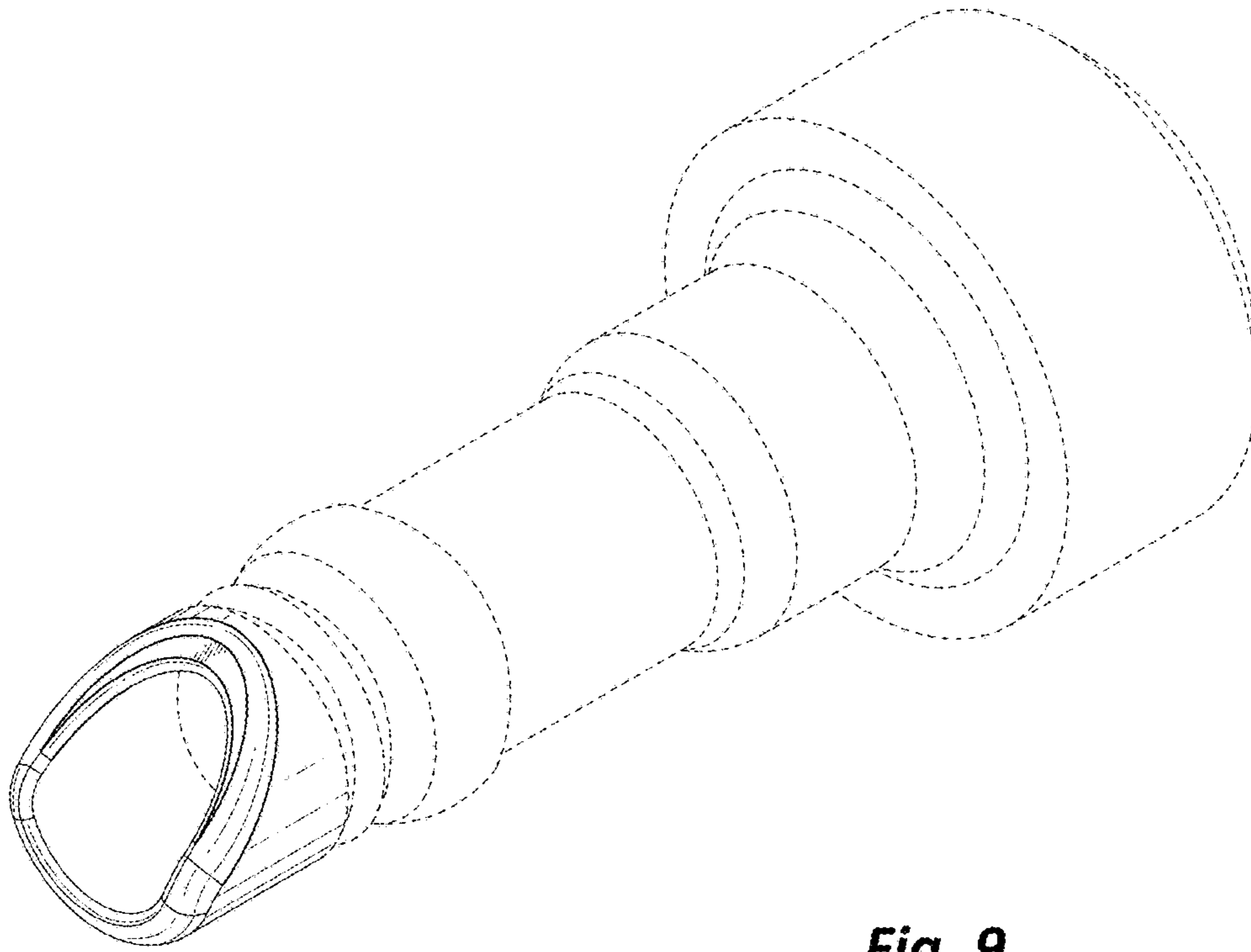
**Fig. 6**



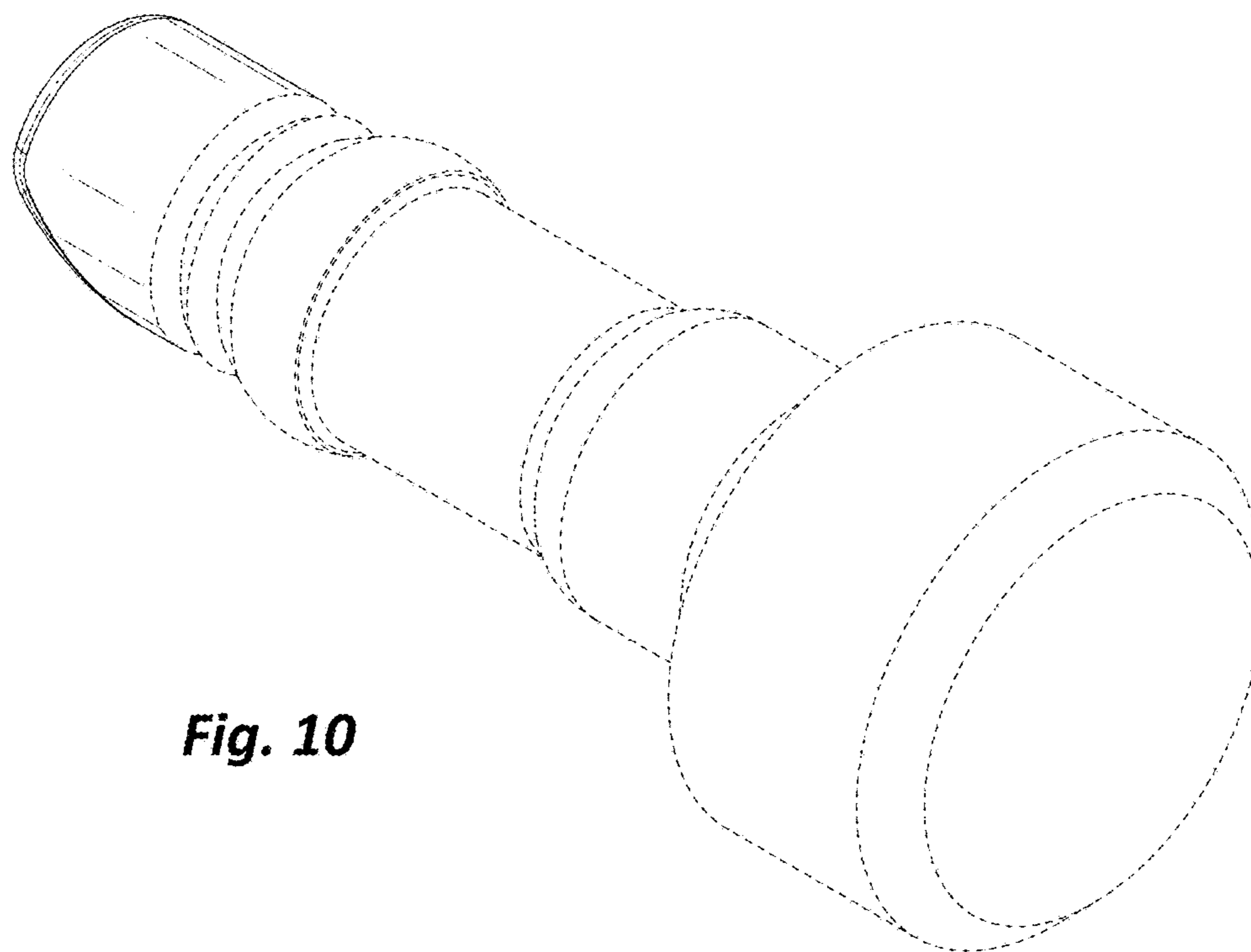
**Fig. 7**



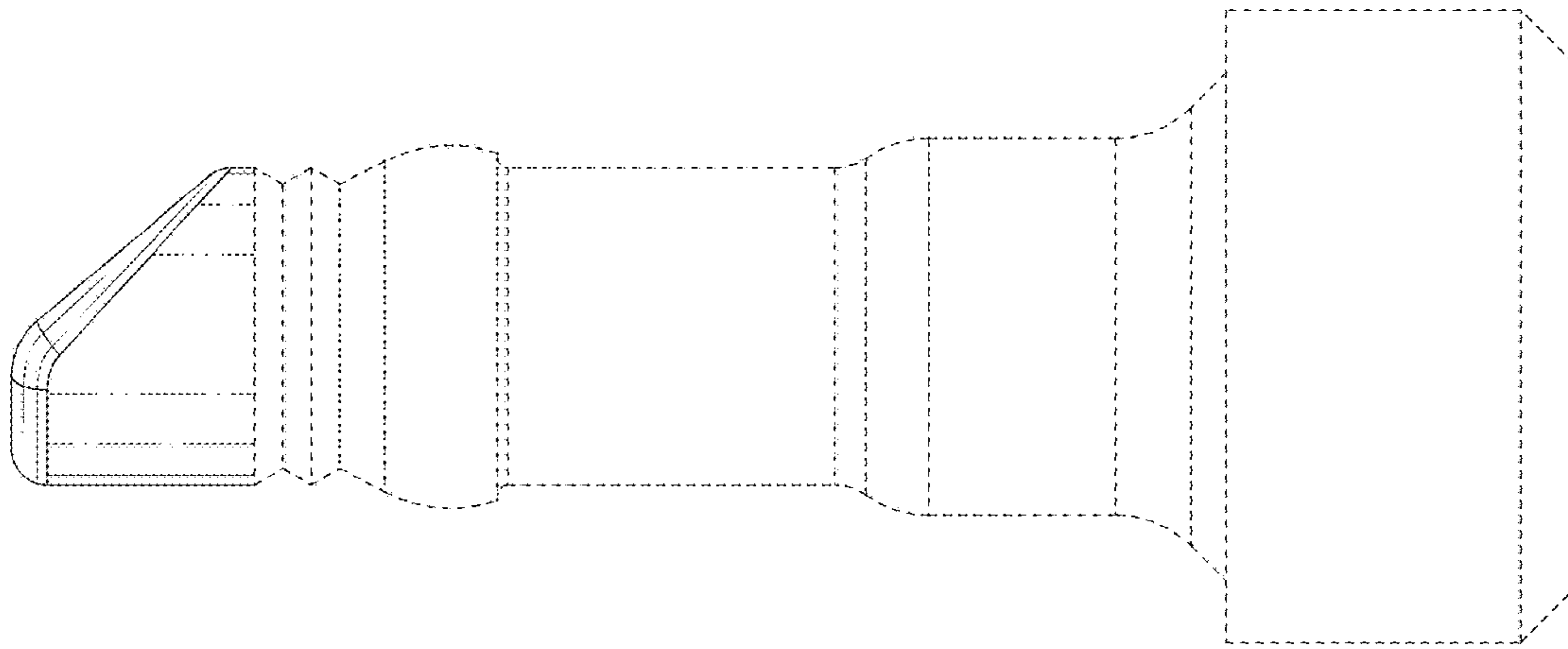
**Fig. 8**



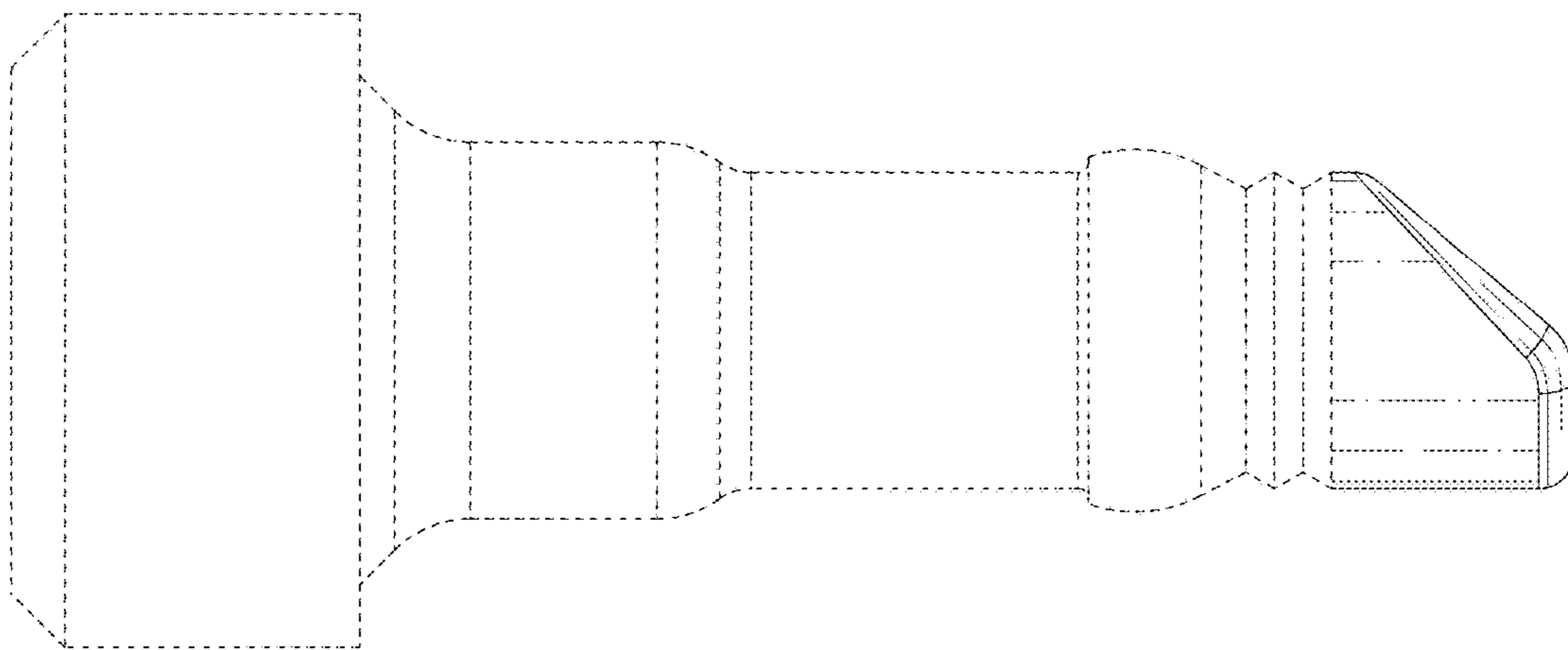
**Fig. 9**



**Fig. 10**

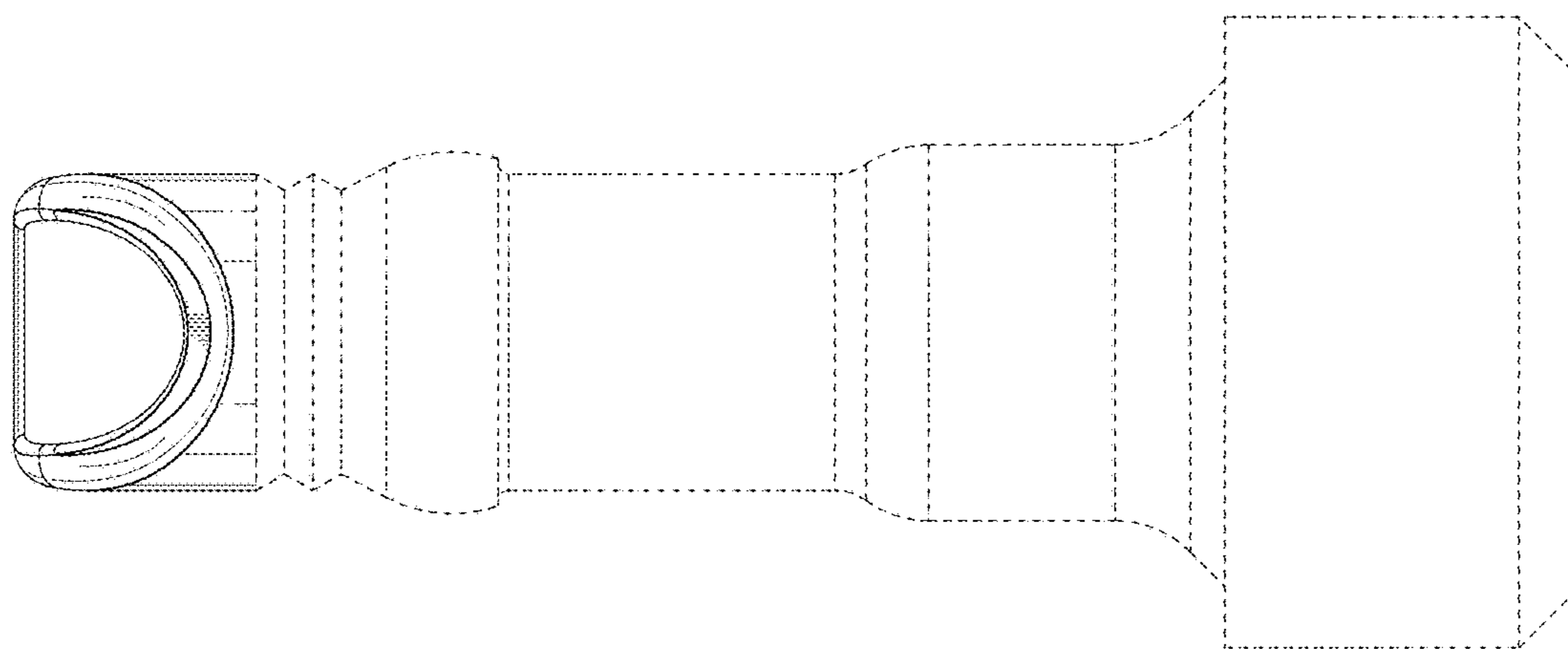


**Fig. 11**

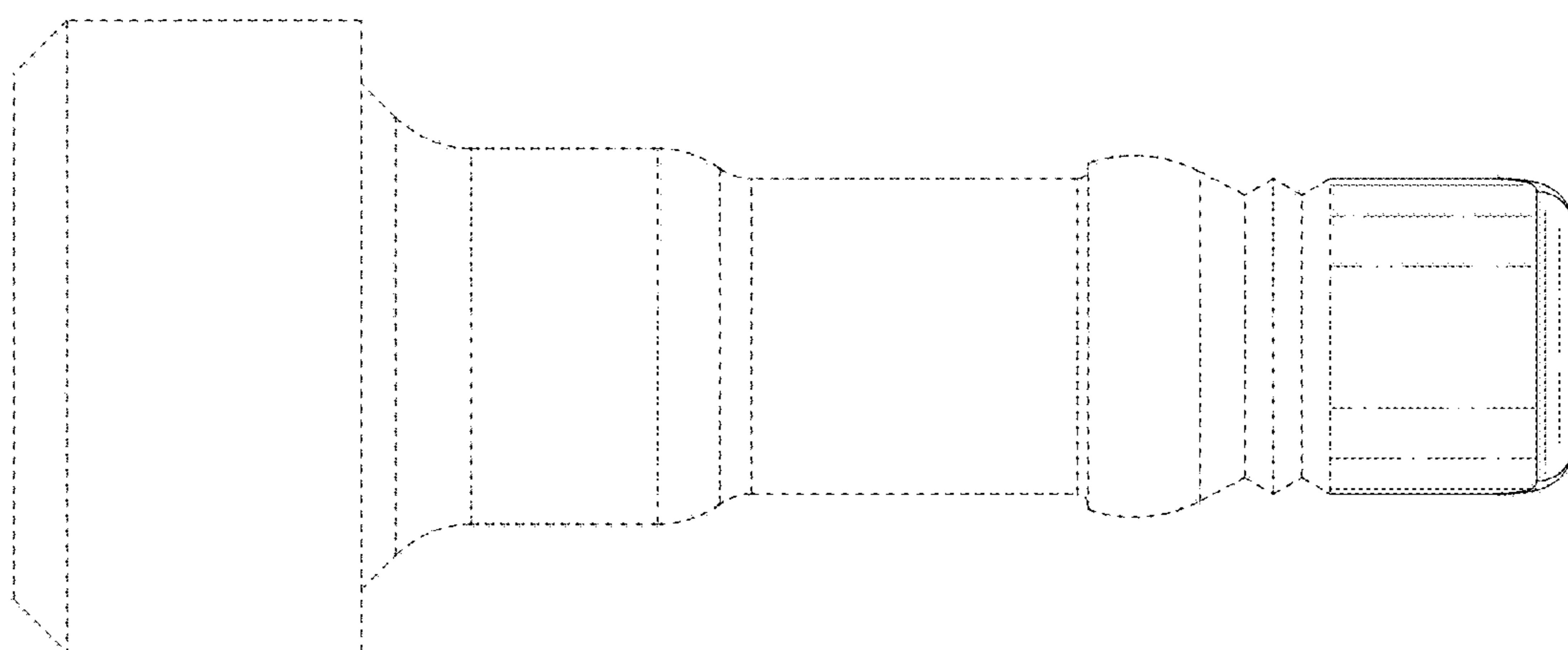


**Fig. 12**

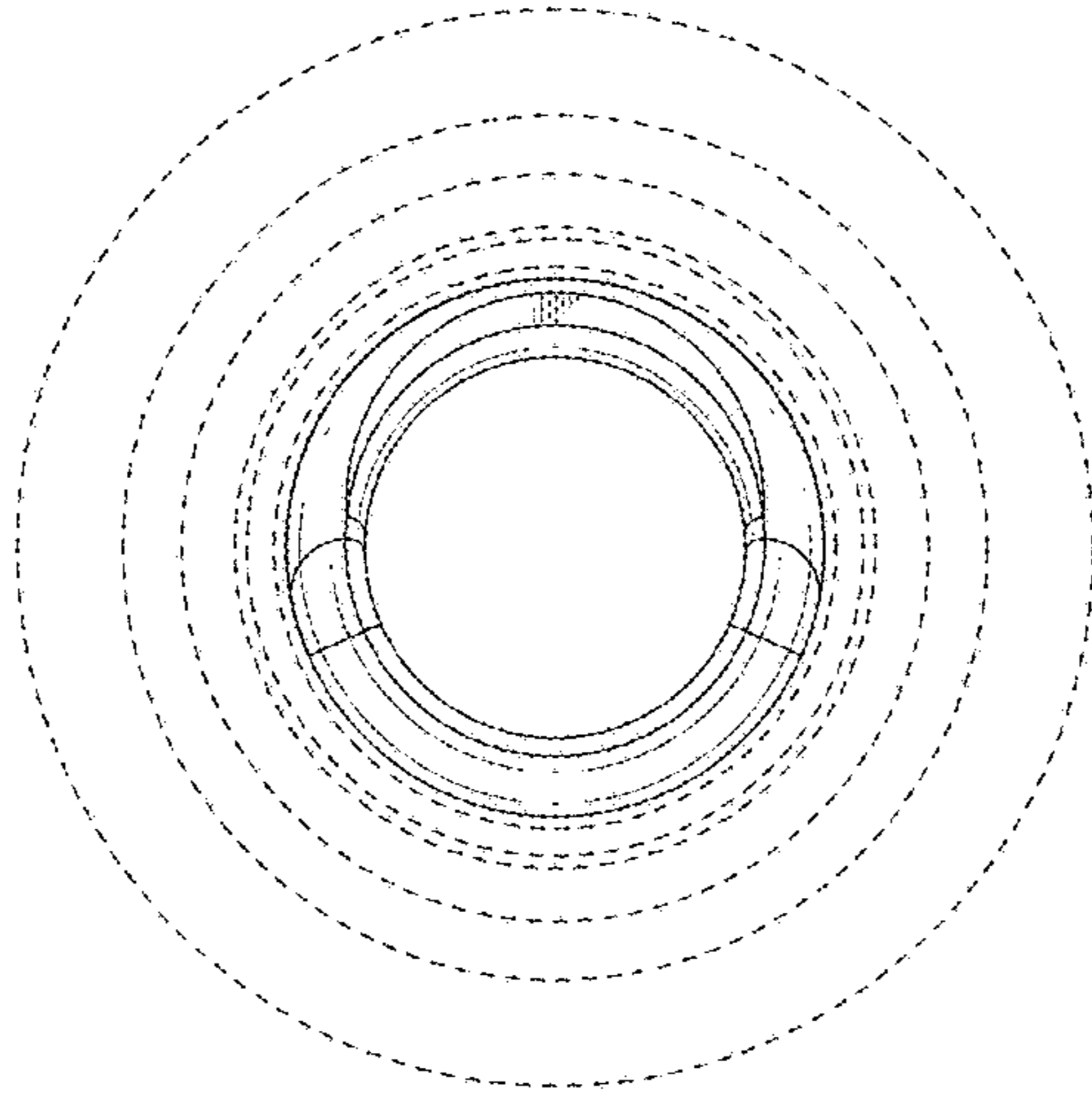




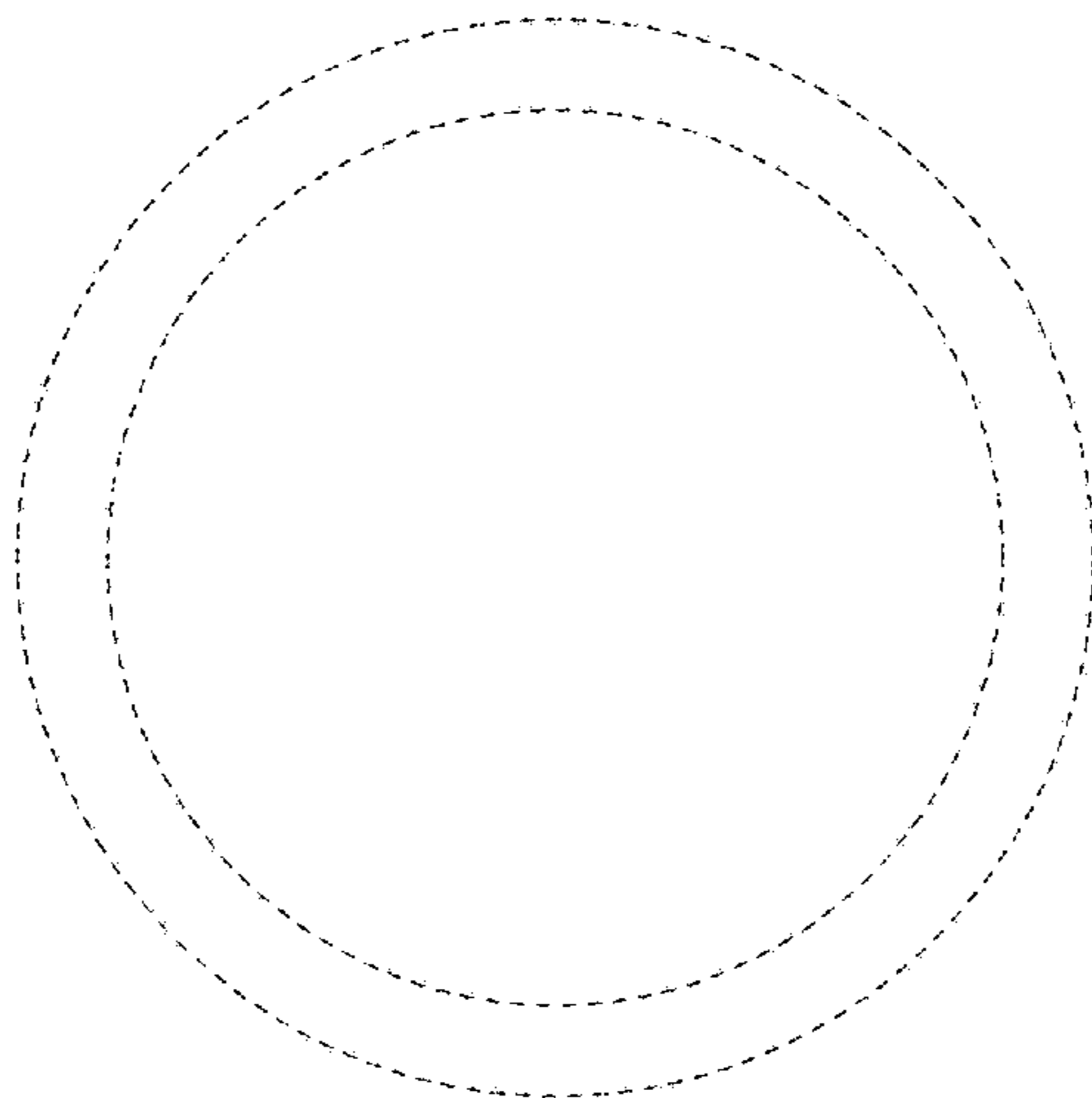
**Fig. 13**



**Fig. 14**



**Fig. 15**



**Fig. 16**