



US00D816223S

(12) **United States Design Patent**
Barak et al.

(10) **Patent No.:** **US D816,223 S**
(45) **Date of Patent:** **** Apr. 24, 2018**

(54) **COMBINED CART-MOUNTED DISPLAY AND COMPUTER FOR INTRAORAL SCANNER**

6,599,238 B2 7/2003 Ooshima et al.
D487,805 S 3/2004 Kondo
6,761,561 B2 7/2004 Mandelkern et al.
D532,906 S 11/2006 Kim et al.
D555,792 S * 11/2007 Haymann D24/177
(Continued)

(71) Applicant: **Align Technology, Inc.**, San Jose, CA
(US)

(72) Inventors: **Amit Barak**, Tel Aviv (IL); **Arye Krasavets**, Jerusalem (IL); **Rami Boltanski**, Kiryat Ono (IL); **Nir Makmel**, Tel Aviv (IL); **Erez Lampert**, Rehovot (IL); **David Altit**, Tel Aviv (IL)

Primary Examiner — Anhdao Doan
(74) *Attorney, Agent, or Firm* — Lowenstein Sandler LLP

(73) Assignee: **Align Technology, Inc.**, San Jose, CA
(US)

(57) **CLAIM**

The ornamental design for a combined cart-mounted display and computer for an intraoral scanner, as shown and described.

(**) Term: **15 Years**

DESCRIPTION

(21) Appl. No.: **29/580,898**

FIG. 1 is a perspective view of a combined cart-mounted display and computer for an intraoral scanner showing a first embodiment of our new design.

(22) Filed: **Oct. 13, 2016**

FIG. 2 is a second perspective view of the first embodiment thereof.

Related U.S. Application Data

(62) Division of application No. 29/519,758, filed on Mar. 6, 2015, now Pat. No. Des. 771,817.

FIG. 3 is a front view of the first embodiment thereof.

(51) **LOC (11) Cl.** **24-01**

FIG. 4 is a rear view of the first embodiment thereof.

(52) **U.S. Cl.**

USPC **D24/158**; D24/176

FIG. 5 is a side view of the first embodiment thereof.

(58) **Field of Classification Search**

USPC D24/185, 186, 187, 107, 108, 158–161, D24/152, 176, 177; D14/307

FIG. 6 is a side view of the first embodiment thereof.

CPC A61B 2019/0248; A61B 2019/025; A61B 8/42; G03B 42/025; G03B 42/042

FIG. 7 is a top view of the first embodiment thereof.

See application file for complete search history.

FIG. 8 is a bottom view of the first embodiment thereof.

FIG. 9 is a perspective view of a second embodiment of a combined cart-mounted display and computer for an intraoral scanner. The front, side, top and bottom views of the second embodiment are the same as those of the first embodiment; and,

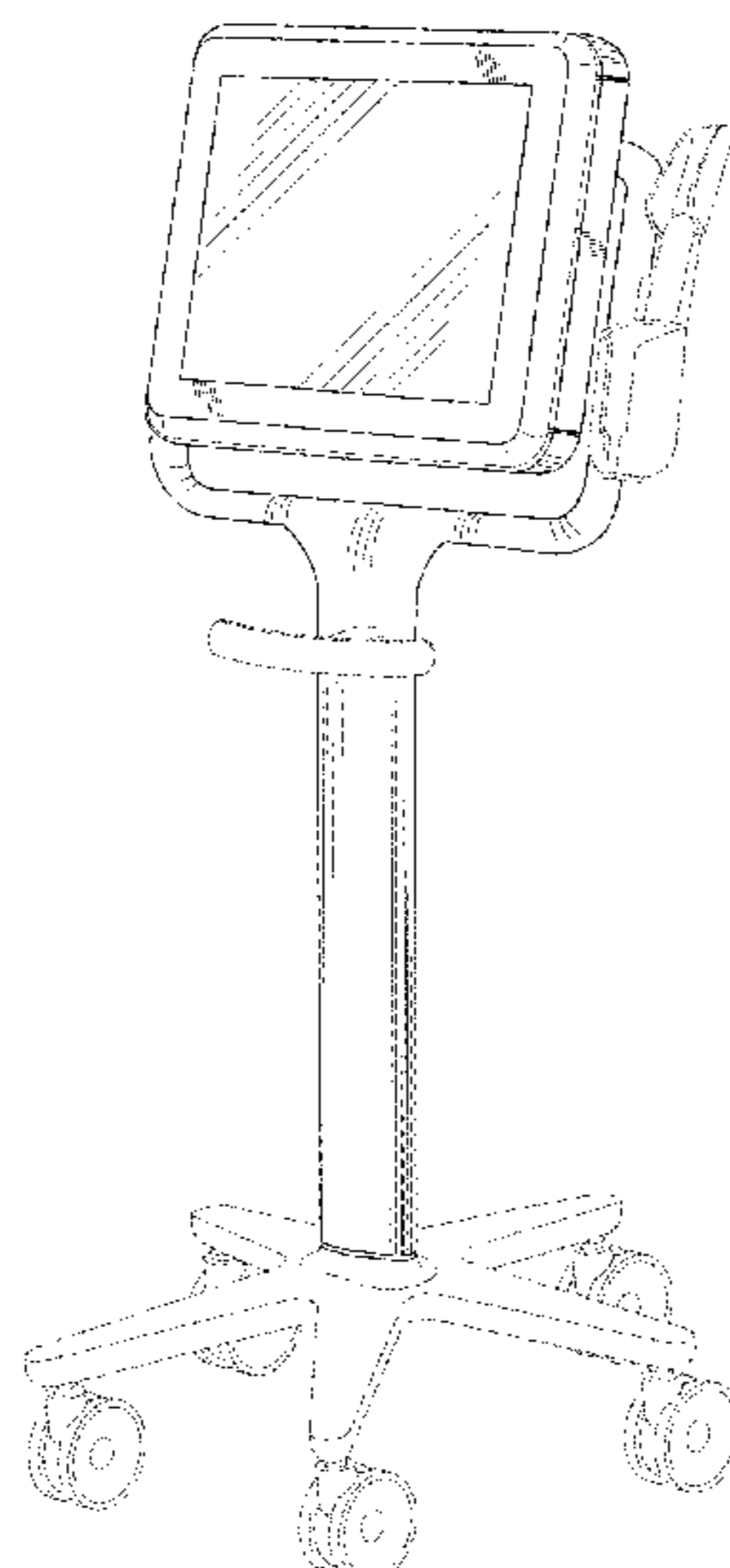
(56) **References Cited**

U.S. PATENT DOCUMENTS

D361,619 S 8/1995 Phleps et al.
D414,867 S 10/1999 Moriwaki et al.
D472,635 S * 4/2003 Stringer D24/160

FIG. 10 is a rear view of the second embodiment thereof. The broken lines showing the cord and scanner in FIG. 9 are directed to environmental subject matter and are for illustrative purposes only, while all other broken lines are directed to portions of the combined cart-mounted display and computer for an intraoral scanner that form no part of the claimed design; the broken lines form no part of the claimed design.

1 Claim, 10 Drawing Sheets



(56)

References Cited

U.S. PATENT DOCUMENTS

D558,345 S 12/2007 Witt
D558,350 S * 12/2007 Kitayama D24/186
D562,456 S 2/2008 Scruggs et al.
D585,554 S 1/2009 Suzuki
D629,524 S 12/2010 Zeller et al.
D630,747 S 1/2011 Shinohara et al.
D648,855 S 11/2011 Smith et al.
D657,470 S 4/2012 Schon et al.
D658,295 S 4/2012 Geijsen et al.
8,167,805 B2 5/2012 Emery et al.
D697,622 S 1/2014 Chung et al.
D711,951 S 8/2014 Mazuir
D712,037 S 8/2014 Hansen et al.
D727,505 S * 4/2015 Choudhary D24/158
D742,518 S 11/2015 Barak et al.
D760,901 S 7/2016 Barak et al.
2013/0034825 A1 2/2013 Phillips et al.
2013/0183633 A1 7/2013 Dillon et al.
2013/0203010 A1 8/2013 Inglese et al.
2014/0302452 A1 10/2014 Hack et al.

* cited by examiner

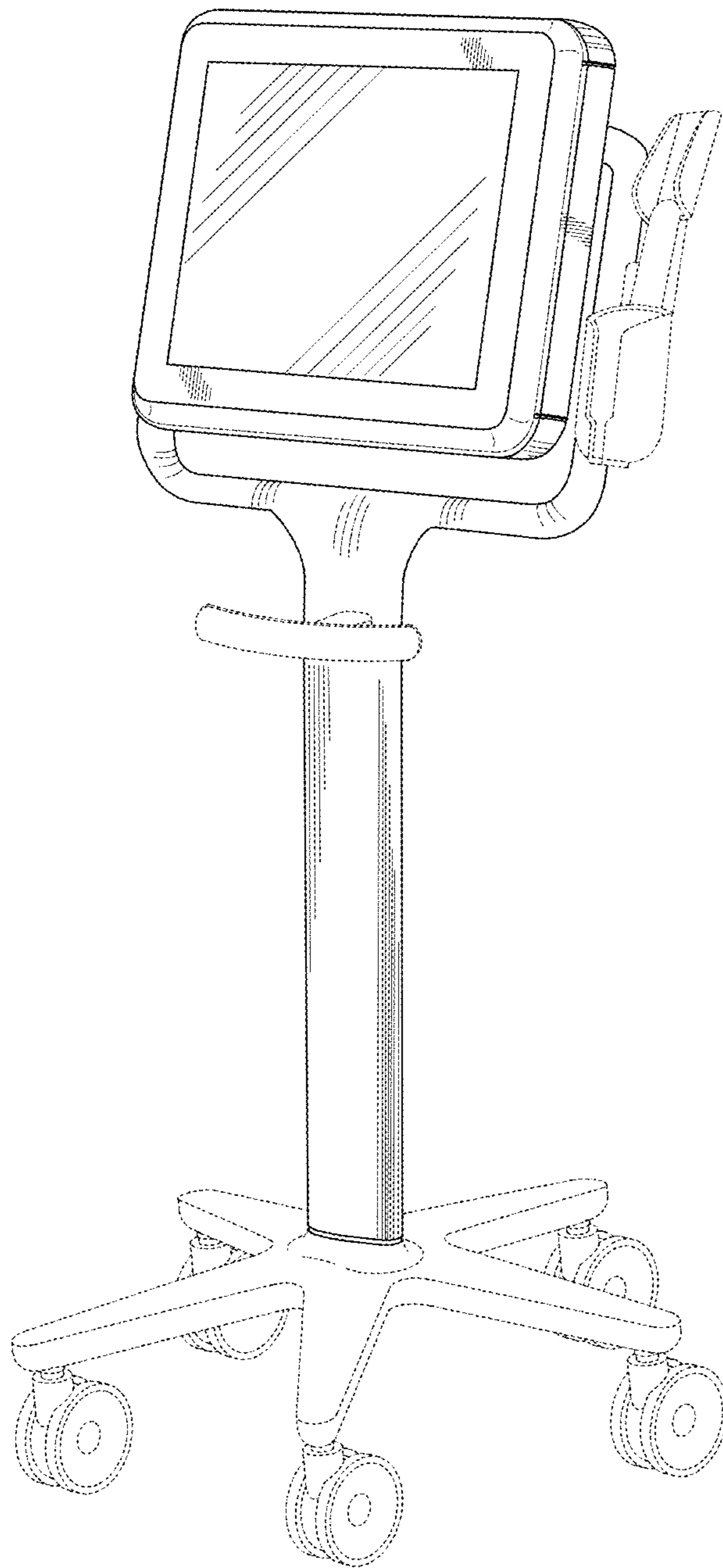


FIG. 1

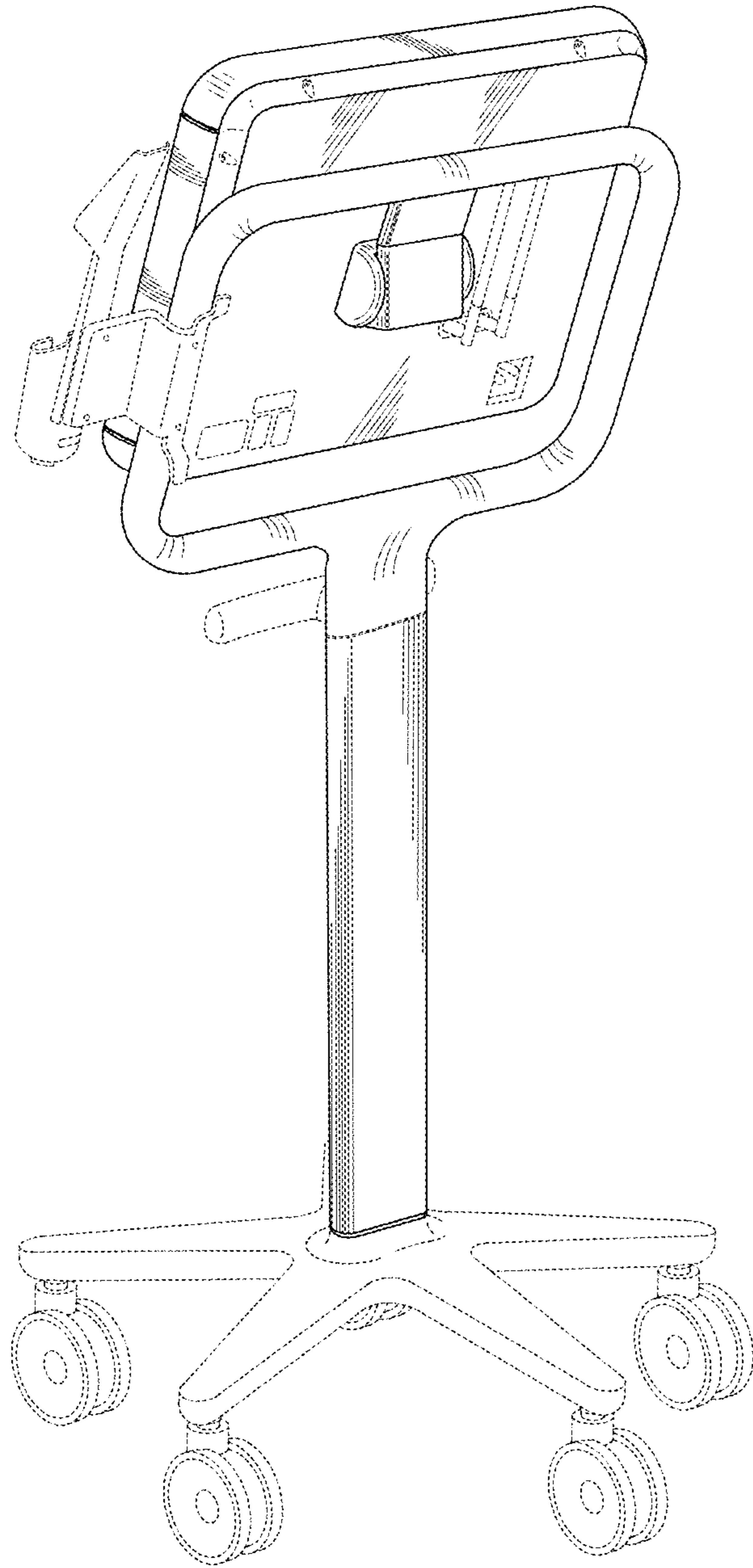


FIG. 2

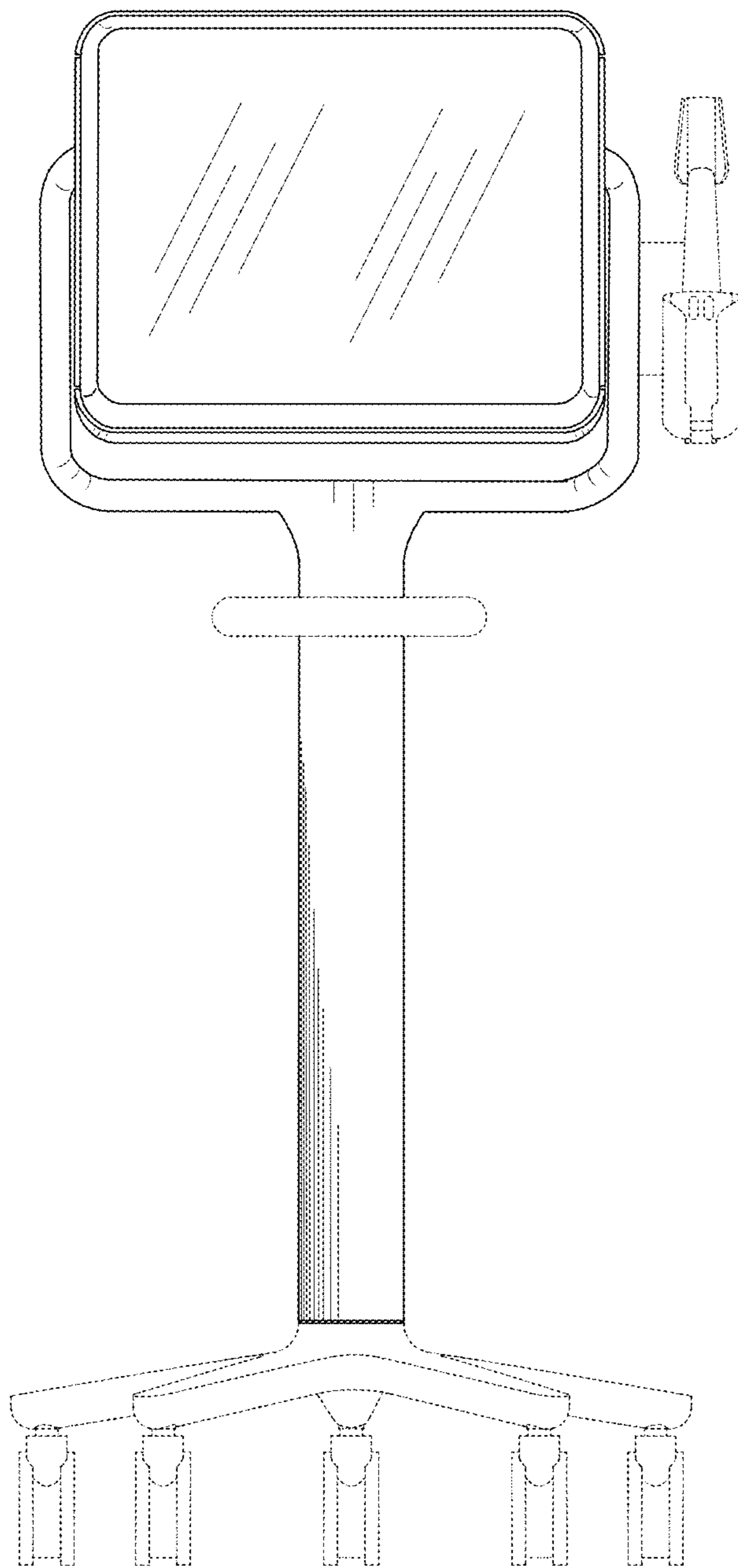


FIG. 3

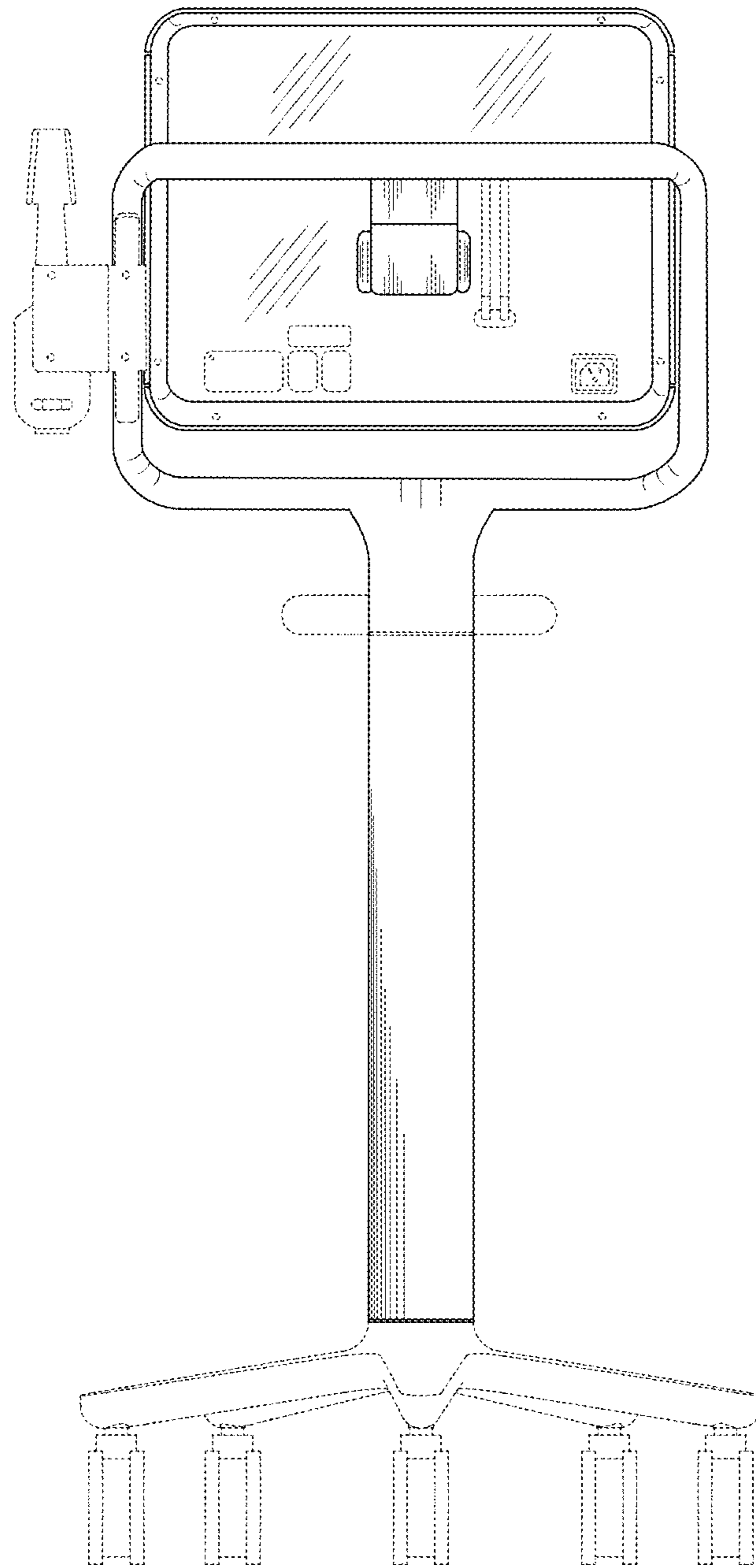


FIG. 4

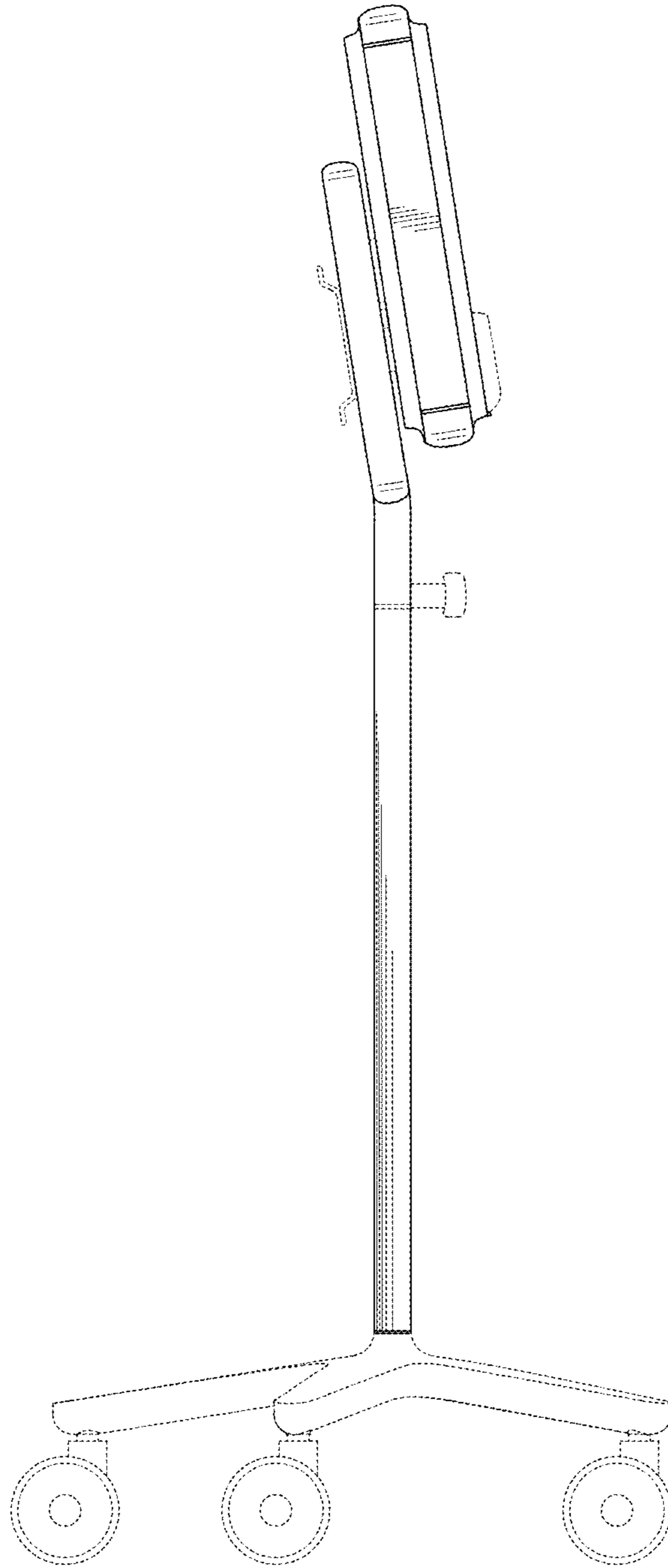


FIG. 5

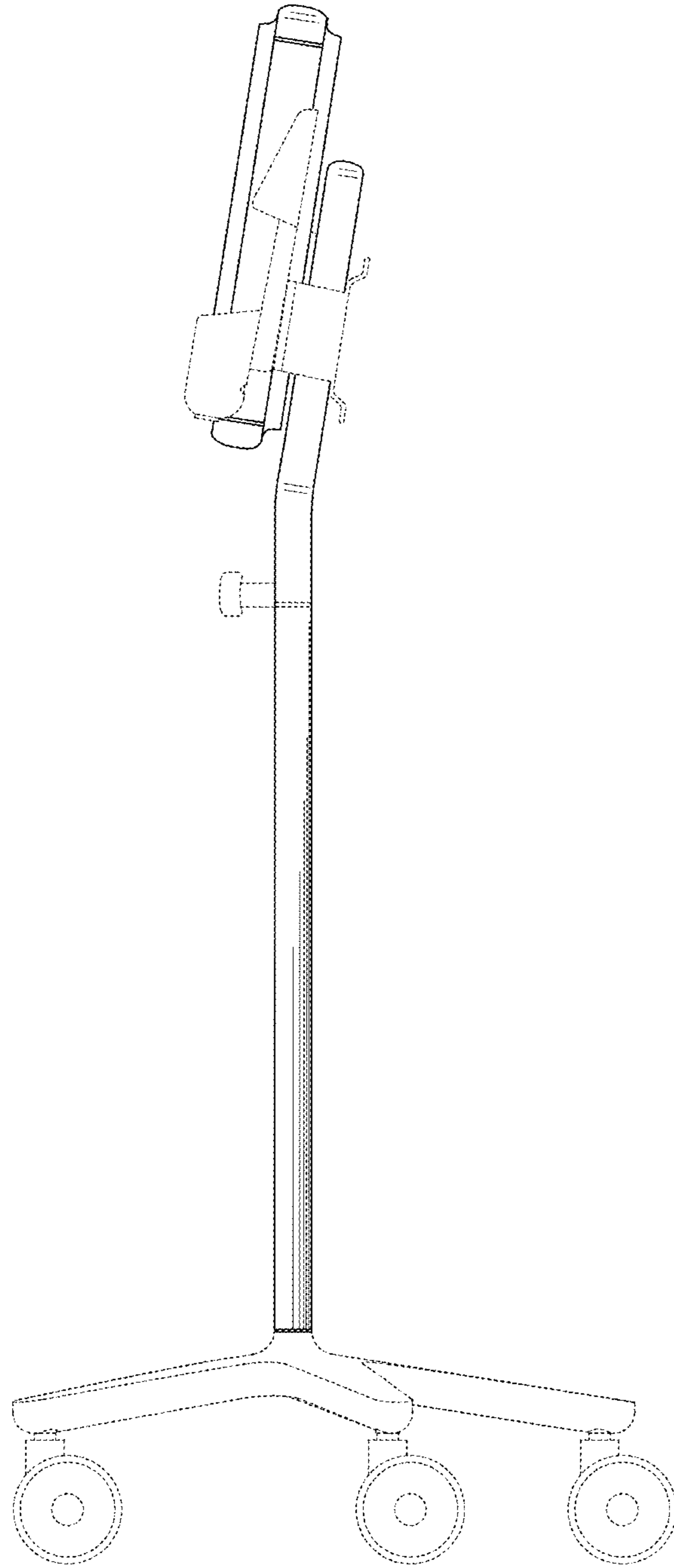


FIG. 6

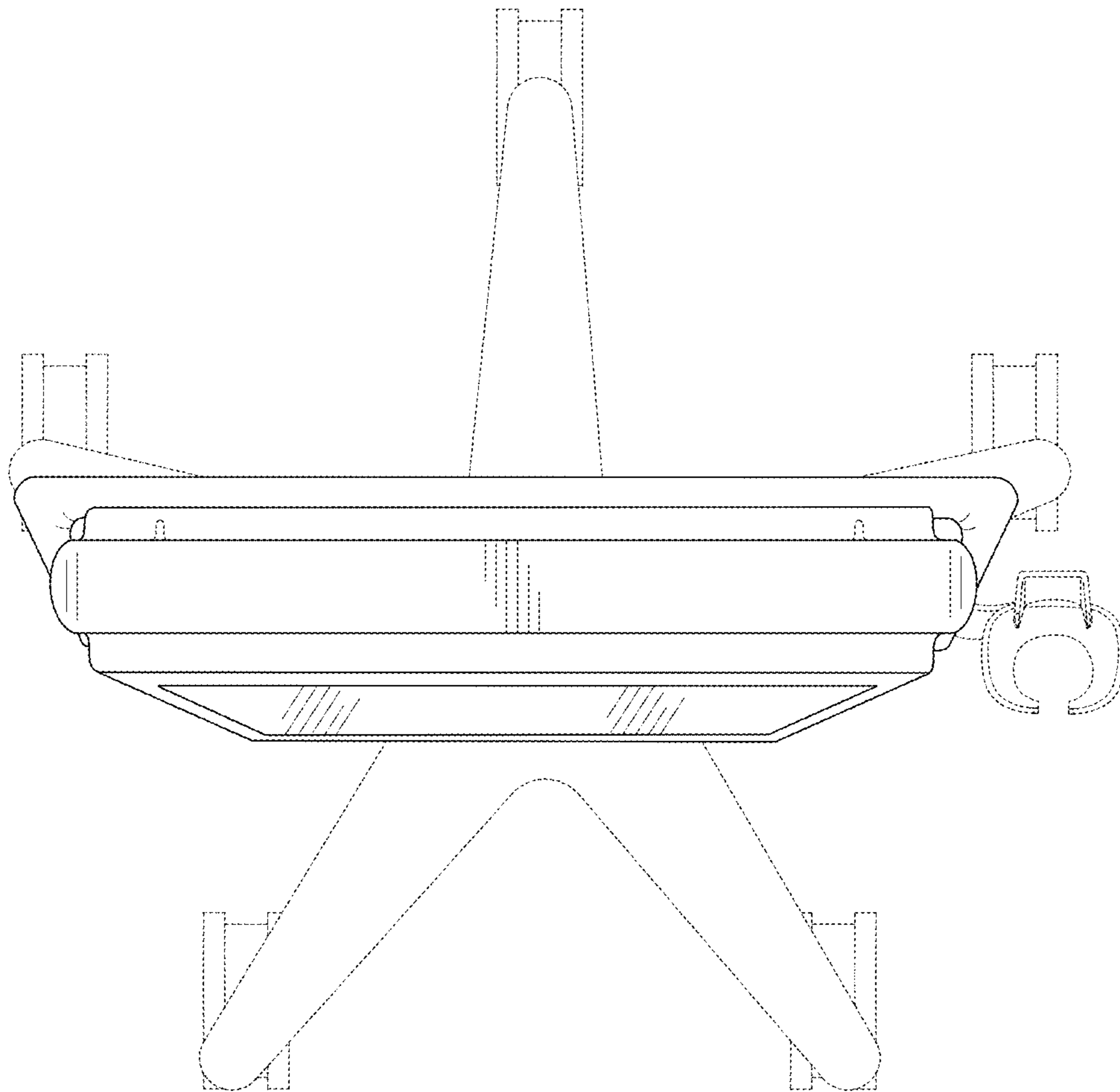


FIG. 7

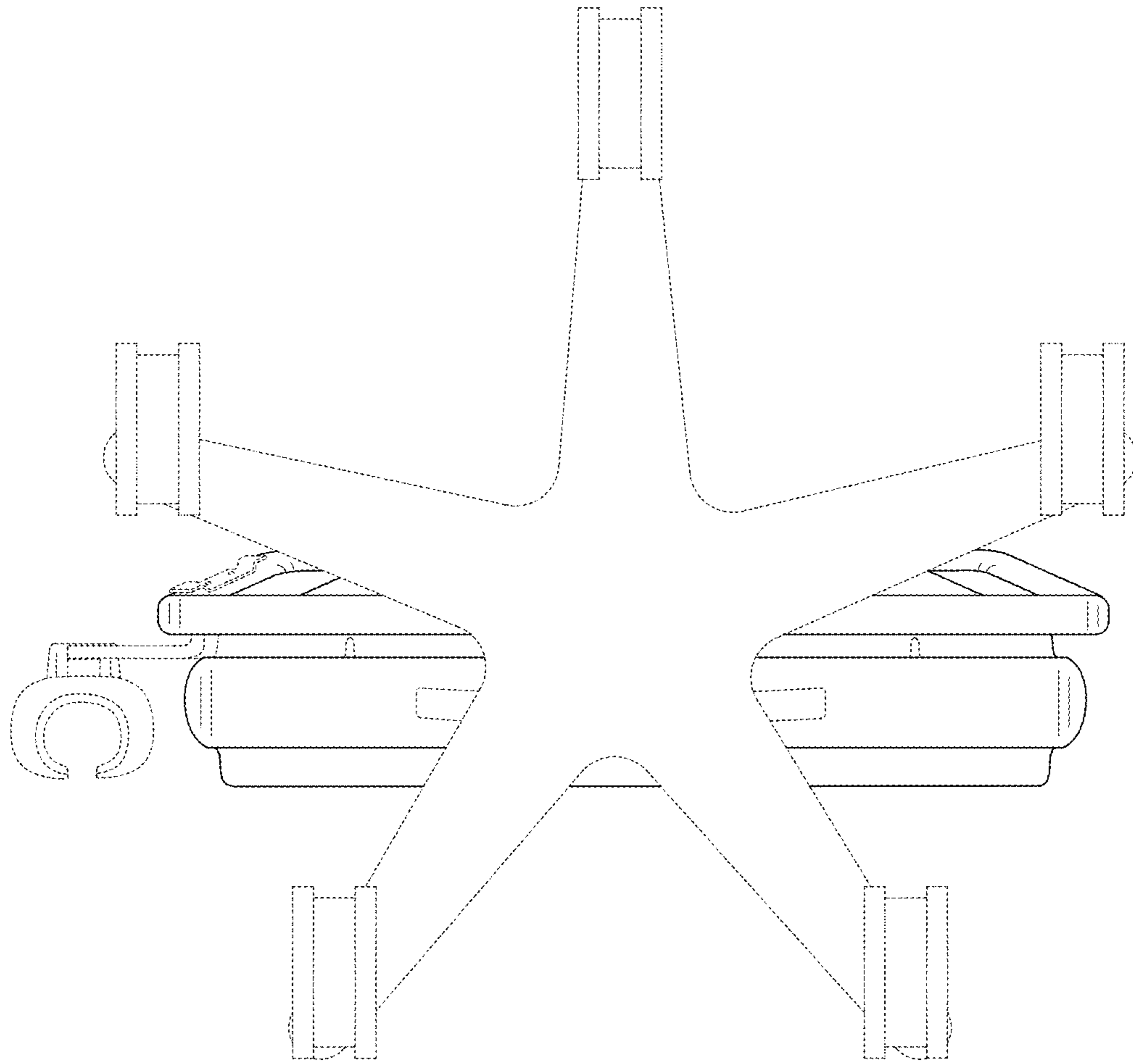


FIG. 8

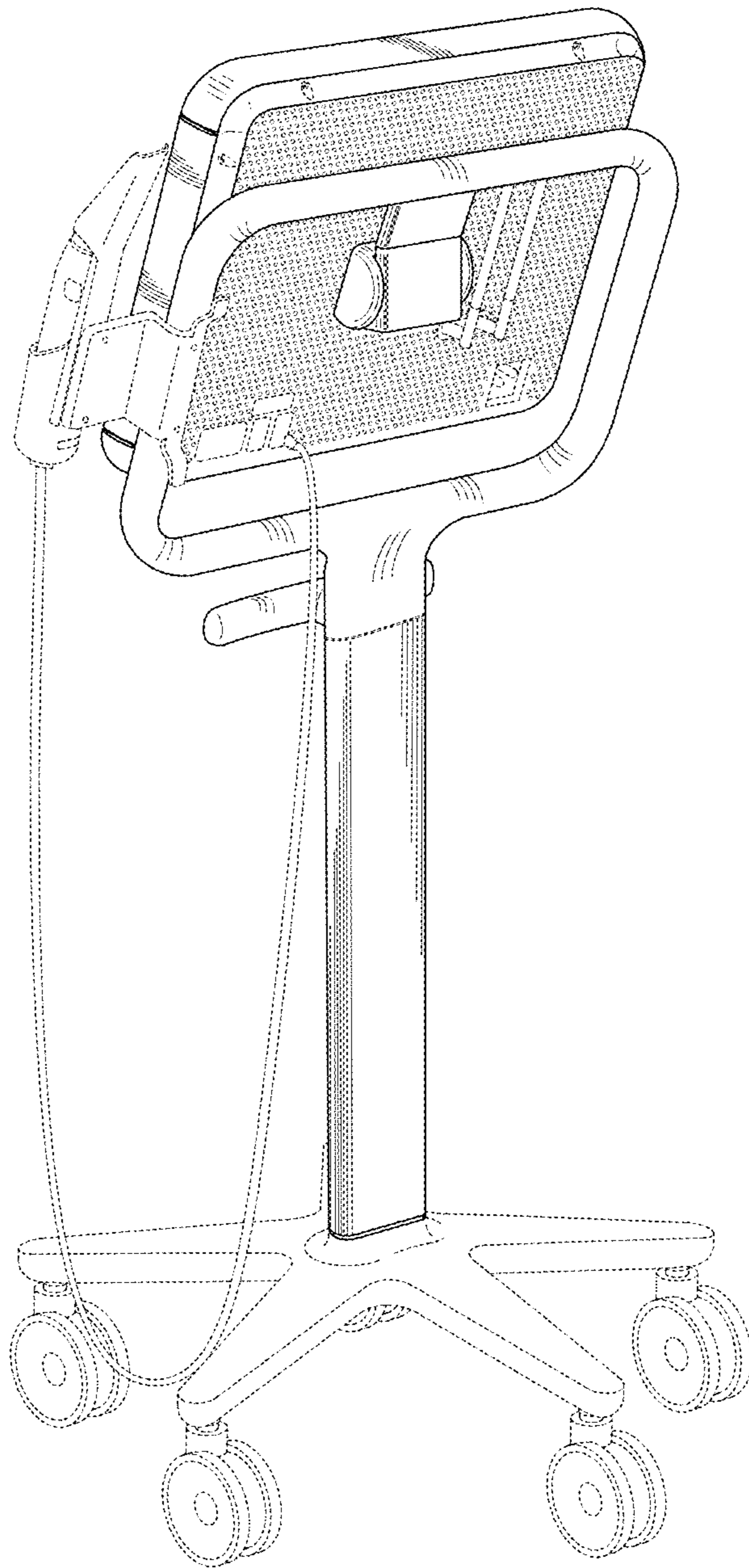


FIG. 9

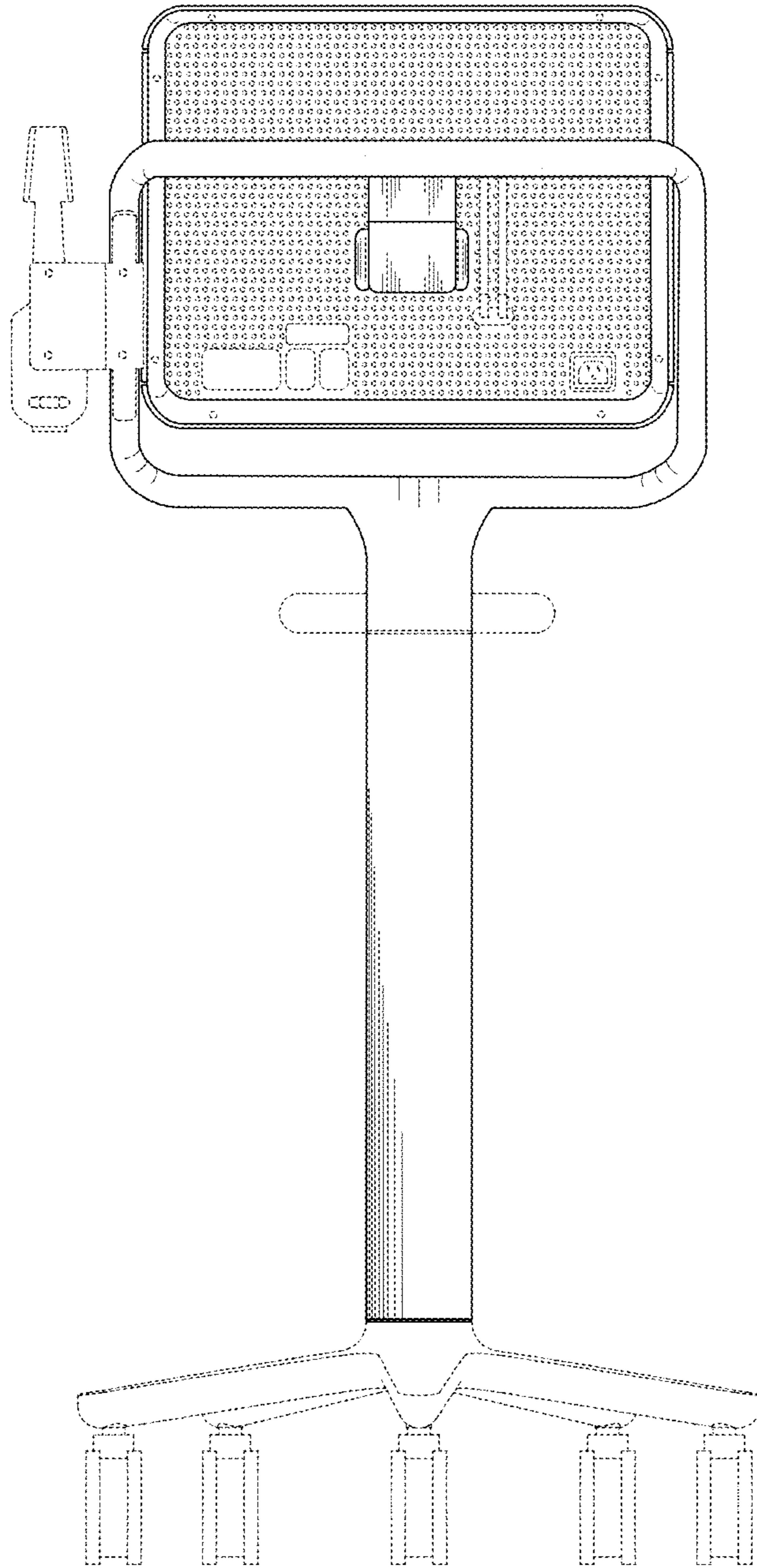


FIG. 10