



US00D816222S

(12) **United States Design Patent**
Barak et al.

(10) **Patent No.:** **US D816,222 S**
(45) **Date of Patent:** **** Apr. 24, 2018**

(54) **COMBINED DESKTOP DISPLAY AND
COMPUTER FOR AN INTRAORAL
SCANNER**

D472,635 S * 4/2003 Stringer D24/160
6,599,238 B2 7/2003 Ooshima et al.
D487,805 S 3/2004 Kondo
6,761,561 B2 7/2004 Mandelkem et al.
D532,906 S 11/2006 Kim et al.
D555,792 S * 11/2007 Haymann D24/177

(71) Applicant: **Align Technology, Inc.**, San Jose, CA
(US)

(Continued)

(72) Inventors: **Amit Barak**, Tel Aviv (IL); **Arye
Krasavets**, Jerusalem (IL); **Rami
Boltanski**, Kiryat Ono (IL); **Nir
Makmel**, Tel Aviv (IL); **Erez Lampert**,
Rehovot (IL); **David Altit**, Tel Aviv
(IL)

Primary Examiner — Anhdao Doan

(74) *Attorney, Agent, or Firm* — Lowenstein Sandler LLP

(73) Assignee: **Align Technology, Inc.**, San Jose, CA
(US)

(57) **CLAIM**

The ornamental design for a combined desktop display and
computer for an intraoral scanner, as shown and described.

(**) Term: **15 Years**

DESCRIPTION

(21) Appl. No.: **29/575,967**

FIG. 1 is a perspective view of a combined desktop display
and computer for an intraoral scanner showing a first
embodiment of our new design.

(22) Filed: **Aug. 30, 2016**

FIG. 2 is a second perspective view of the first embodiment
thereof.

Related U.S. Application Data

(62) Division of application No. 29/519,752, filed on Mar.
6, 2015, now Pat. No. Des. 768,861.

FIG. 3 is a front view of the first embodiment thereof.

(51) **LOC (11) Cl.** **24-01**

FIG. 4 is a rear view of the first embodiment thereof.

(52) **U.S. Cl.**

USPC **D24/158**; D24/176

FIG. 5 is a side view of the first embodiment thereof.

(58) **Field of Classification Search**

USPC D24/185, 186, 187, 107, 108, 158–161,
D24/152, 176, 177; D14/307

FIG. 6 is a side view of the first embodiment thereof.

CPC A61B 2019/0248; A61B 2019/025; A61B
8/42; G03B 42/025; G03B 42/042

FIG. 7 is a top view of the first embodiment thereof.

See application file for complete search history.

FIG. 8 is a bottom view of the first embodiment thereof.

FIG. 9 is a perspective view of a second embodiment of a
combined desktop display and computer for an intraoral
scanner. The front, side, top and bottom views of the second
embodiment are the same as those of the first embodiment;
and,

(56) **References Cited**

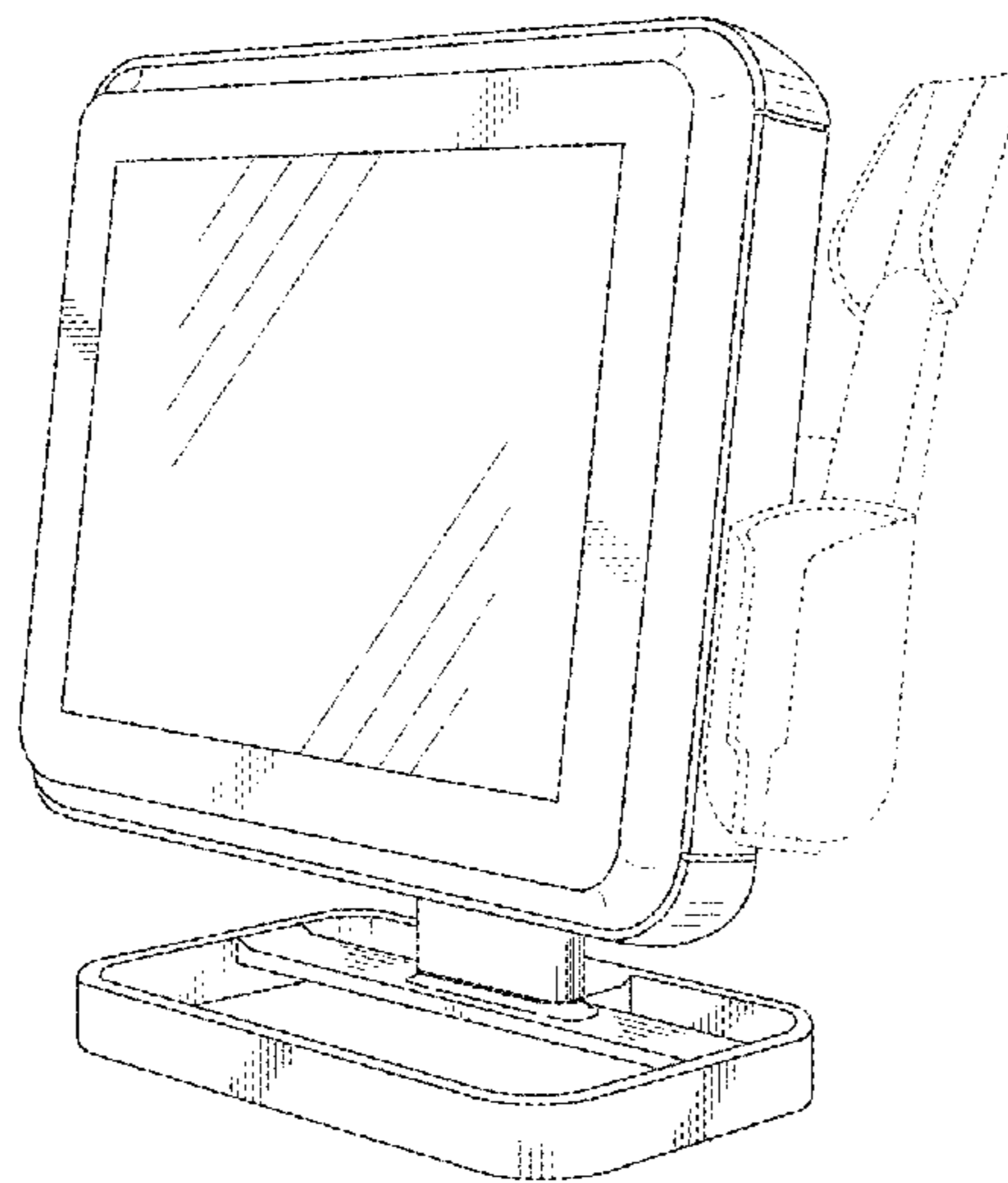
U.S. PATENT DOCUMENTS

D361,619 S 8/1995 Phleps et al.
D414,867 S 10/1999 Moriwaki et al.

FIG. 10 is a rear view of the second embodiment thereof.

The broken lines showing the table, cord and scanner in FIG.
9 are directed to environmental subject matters and are for
illustrative purposes only, while all other broken lines are
directed to portions of the combined desktop display and
computer for an intraoral scanner that form no part of the
claimed design; the broken lines form no part of the claimed
design.

1 Claim, 7 Drawing Sheets



(56)

References Cited

U.S. PATENT DOCUMENTS

D558,345 S 12/2007 Witt
D558,350 S * 12/2007 Kitayama D24/186
D562,456 S 2/2008 Scruggs et al.
D585,554 S 1/2009 Suzuki
D629,524 S 12/2010 Zeller et al.
D630,747 S 1/2011 Shinohara et al.
D648,855 S 11/2011 Smith et al.
D657,470 S 4/2012 Schon et al.
D658,295 S 4/2012 Geijsen et al.
8,167,805 B2 5/2012 Emery et al.
D697,622 S 1/2014 Chung et al.
D711,951 S 8/2014 Mazuir
D712,037 S 8/2014 Hansen et al.
D727,505 S * 4/2015 Choudhary D24/158
D742,518 S 11/2015 Barak et al.
D760,901 S 7/2016 Barak et al.
2013/0034825 A1 2/2013 Phillips et al.
2013/0183633 A1 7/2013 Dillon et al.
2013/0203010 A1 8/2013 Inglese et al.
2014/0302452 A1 10/2014 Hack et al.

* cited by examiner

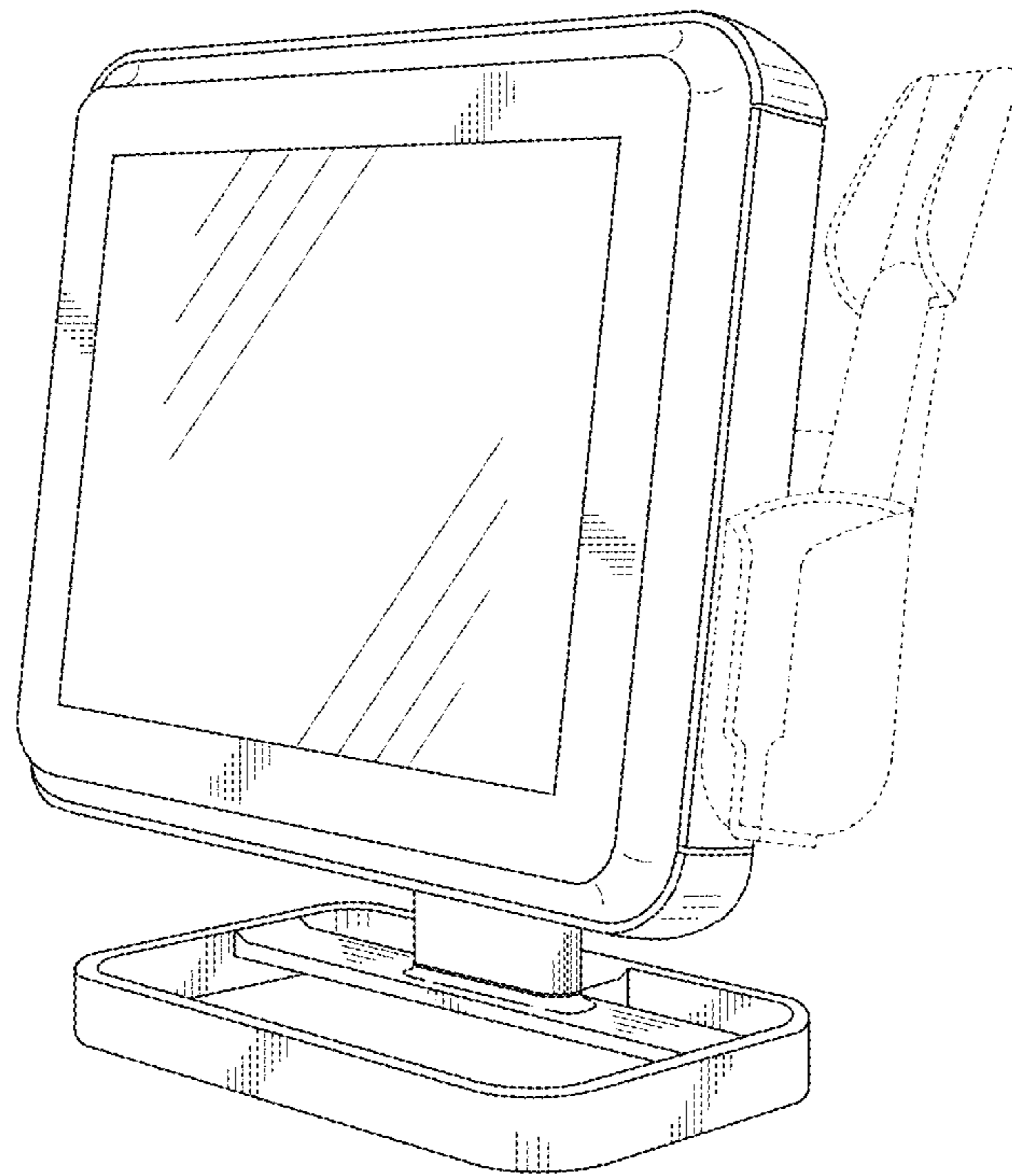


FIG. 1

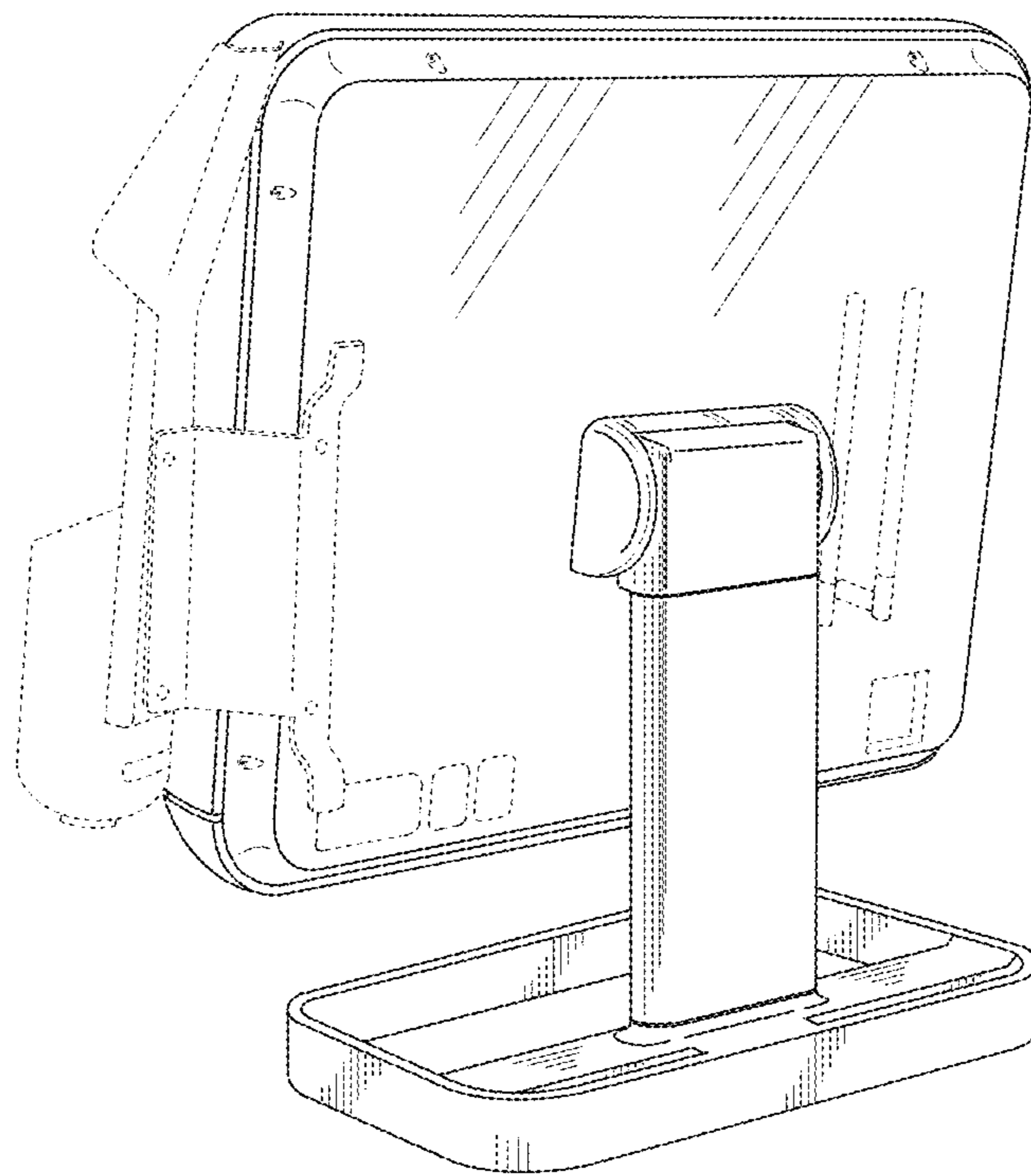


FIG. 2

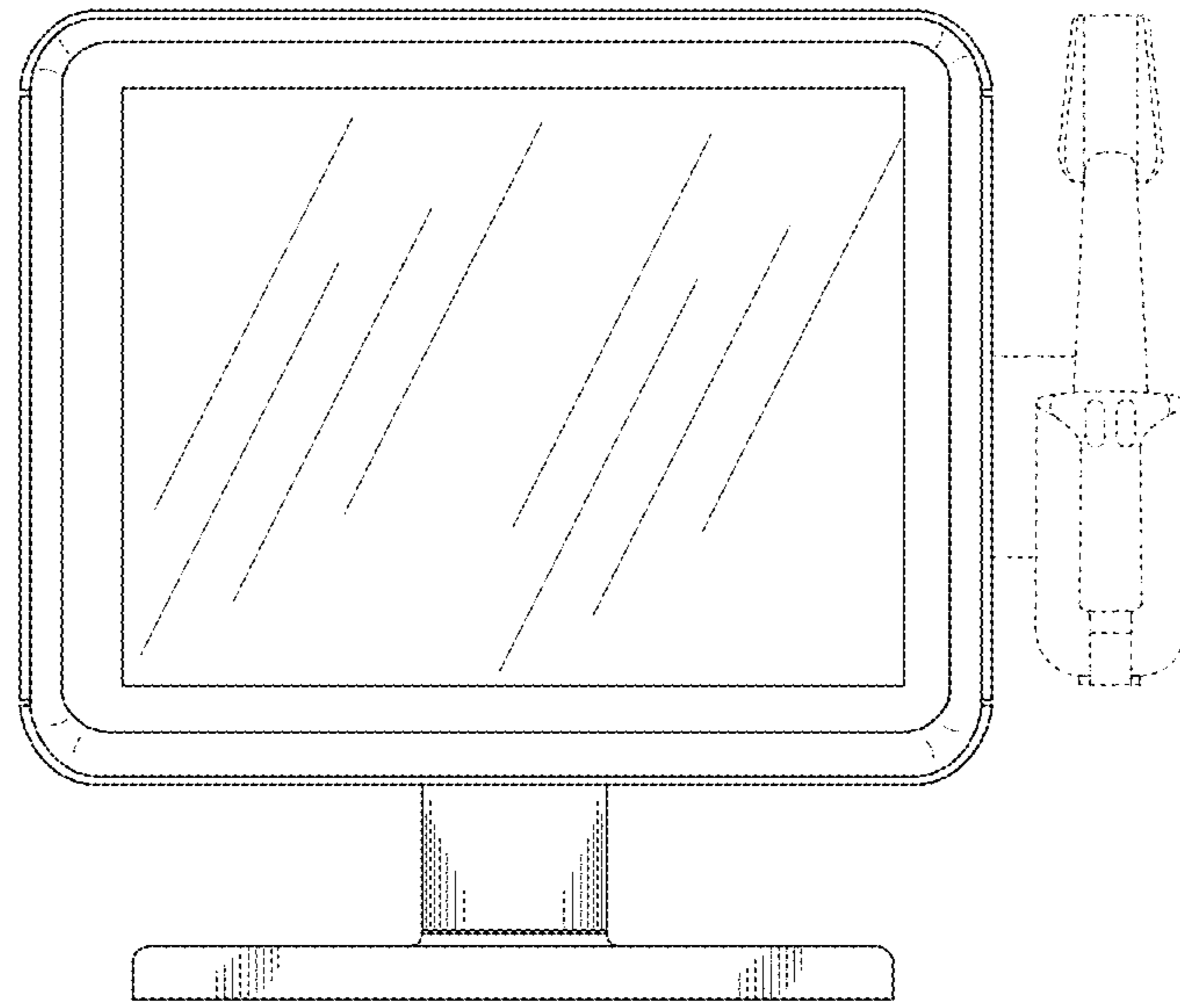


FIG. 3

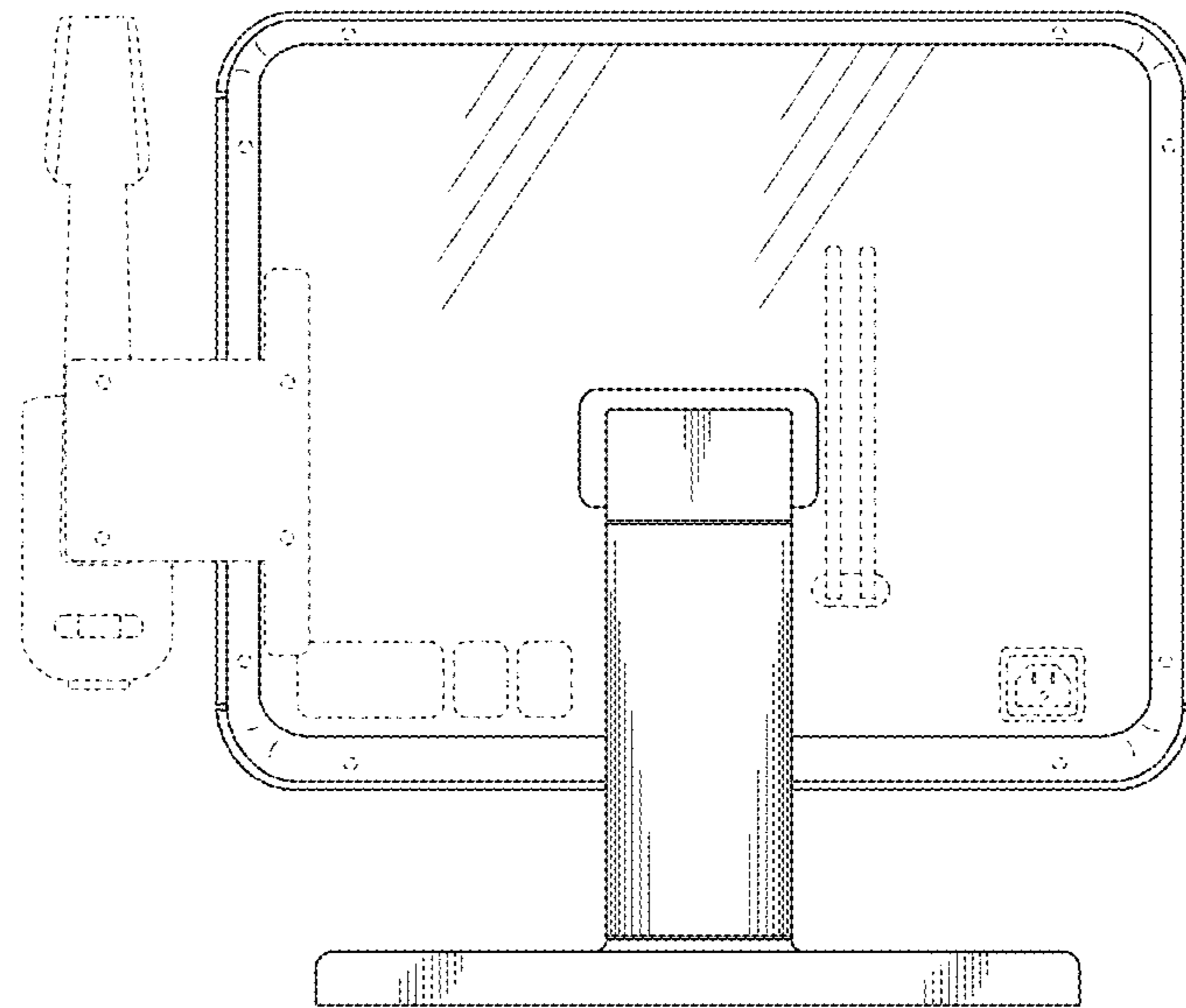


FIG. 4

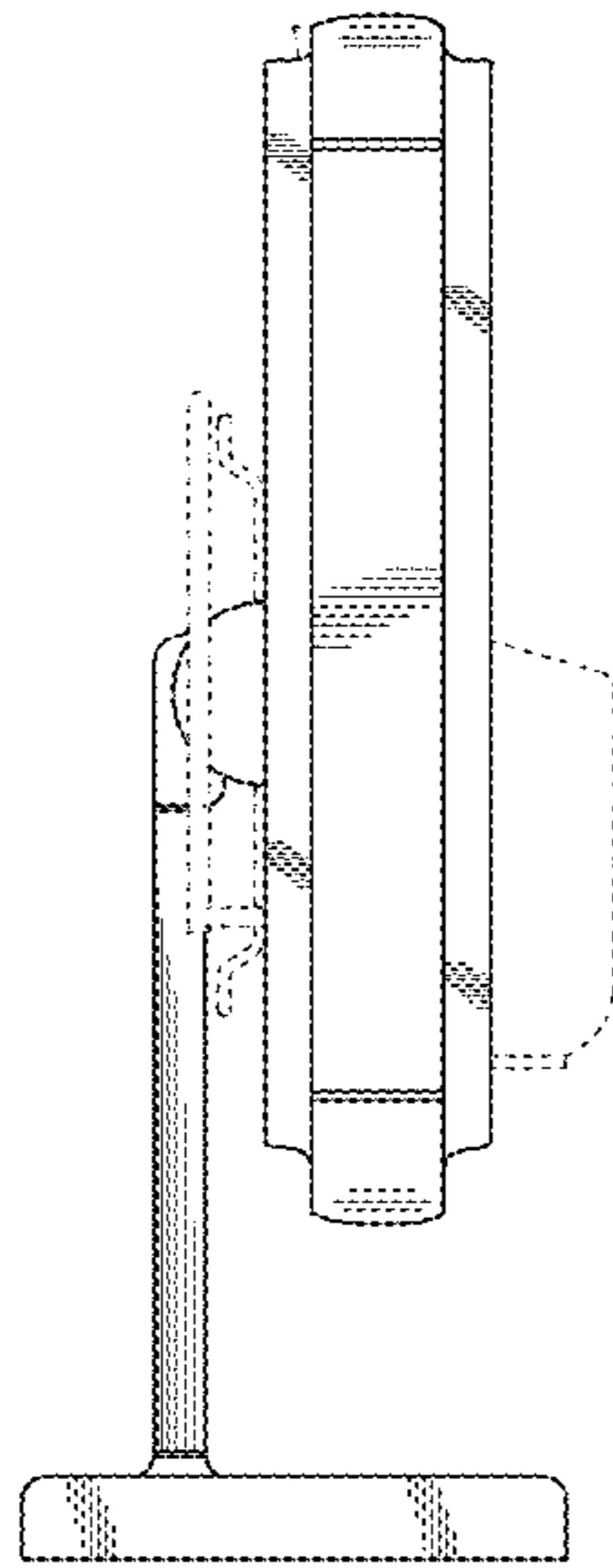


FIG. 5

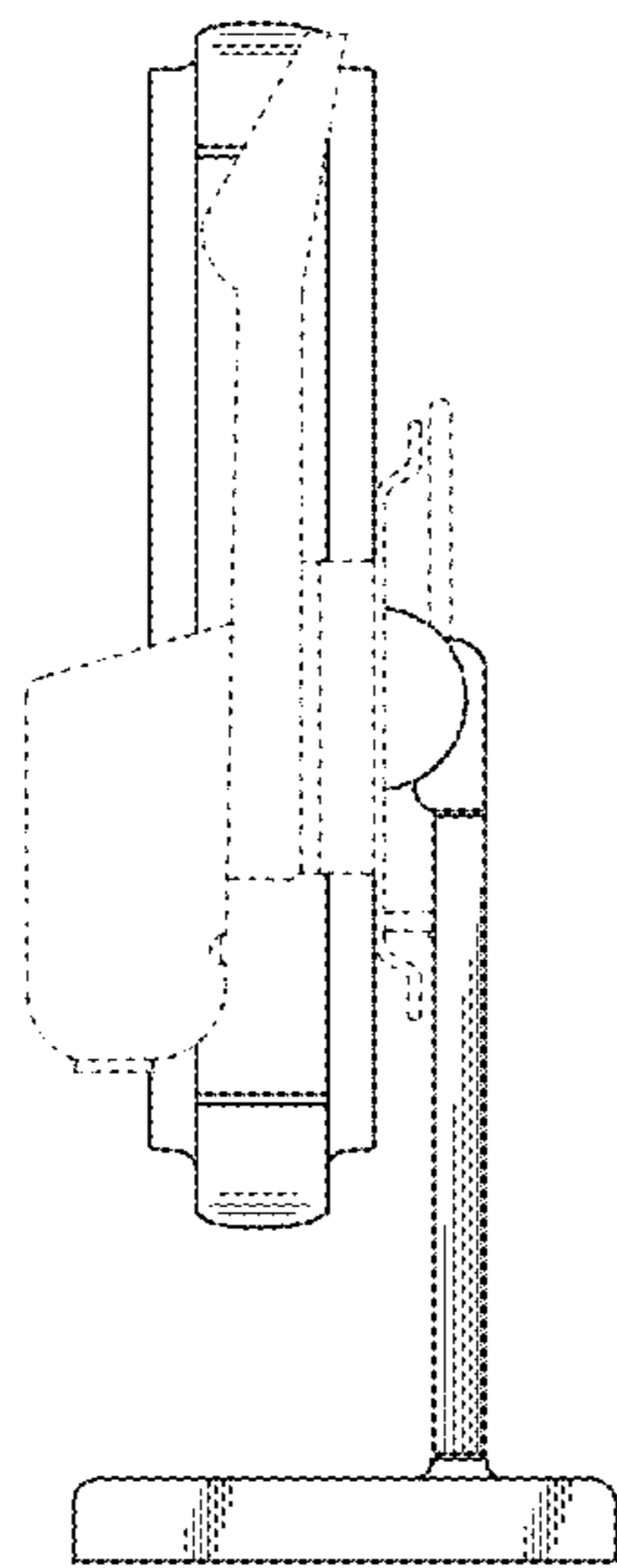


FIG. 6

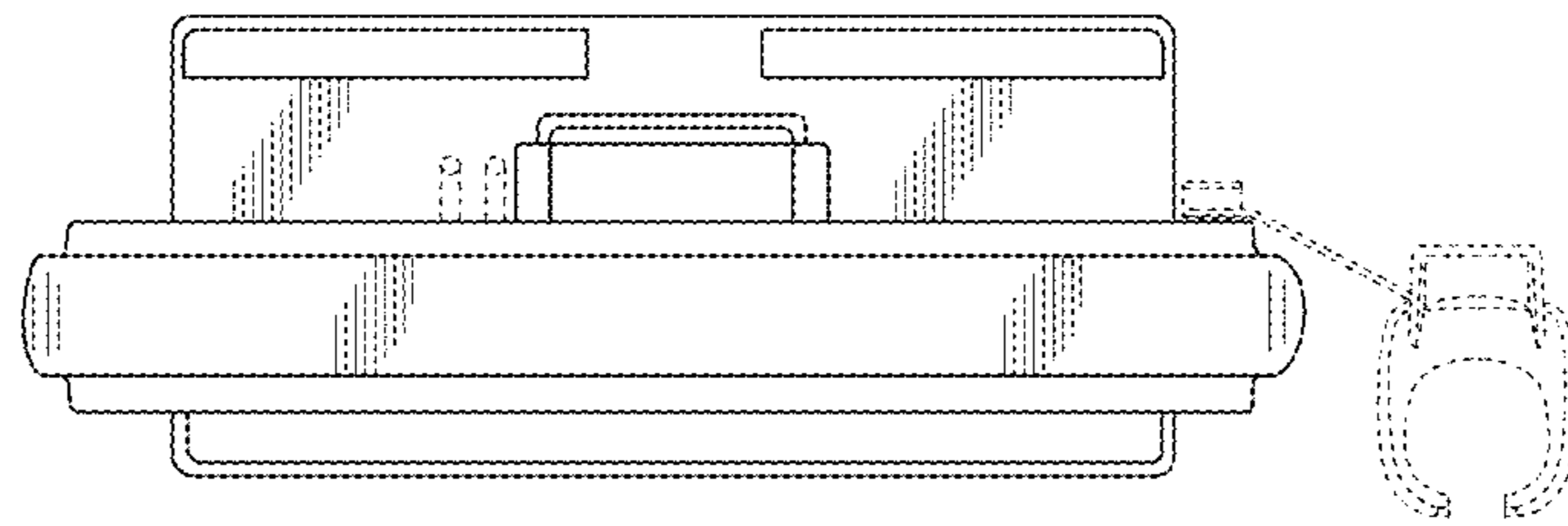


FIG. 7

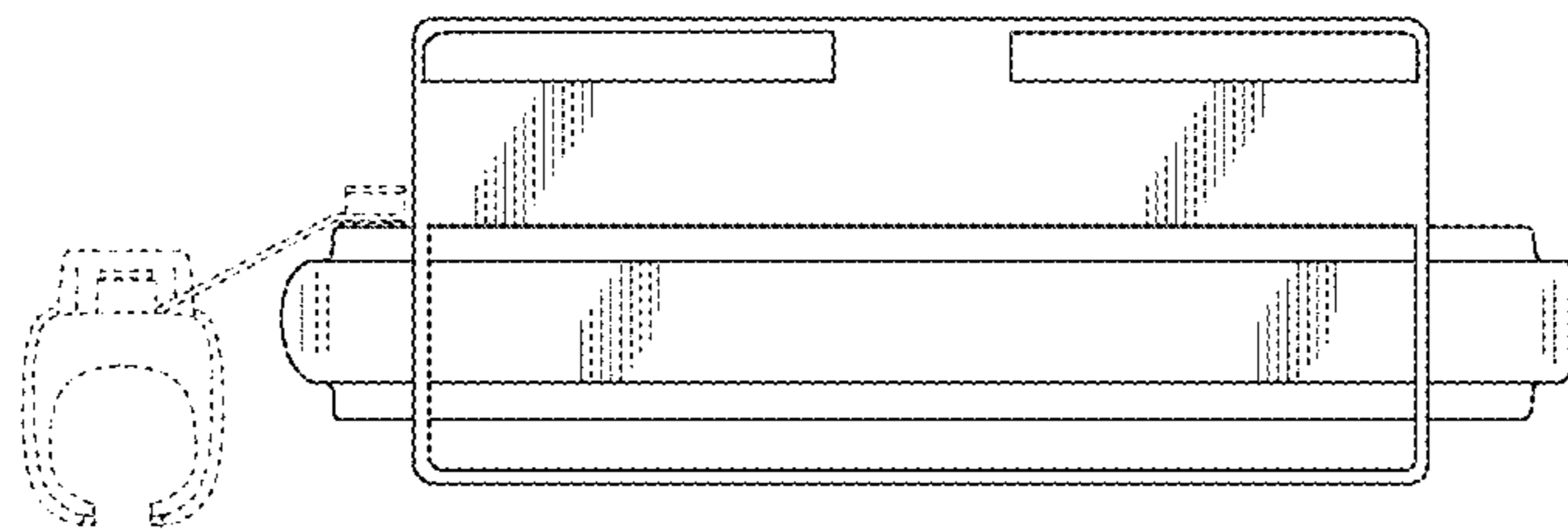


FIG. 8

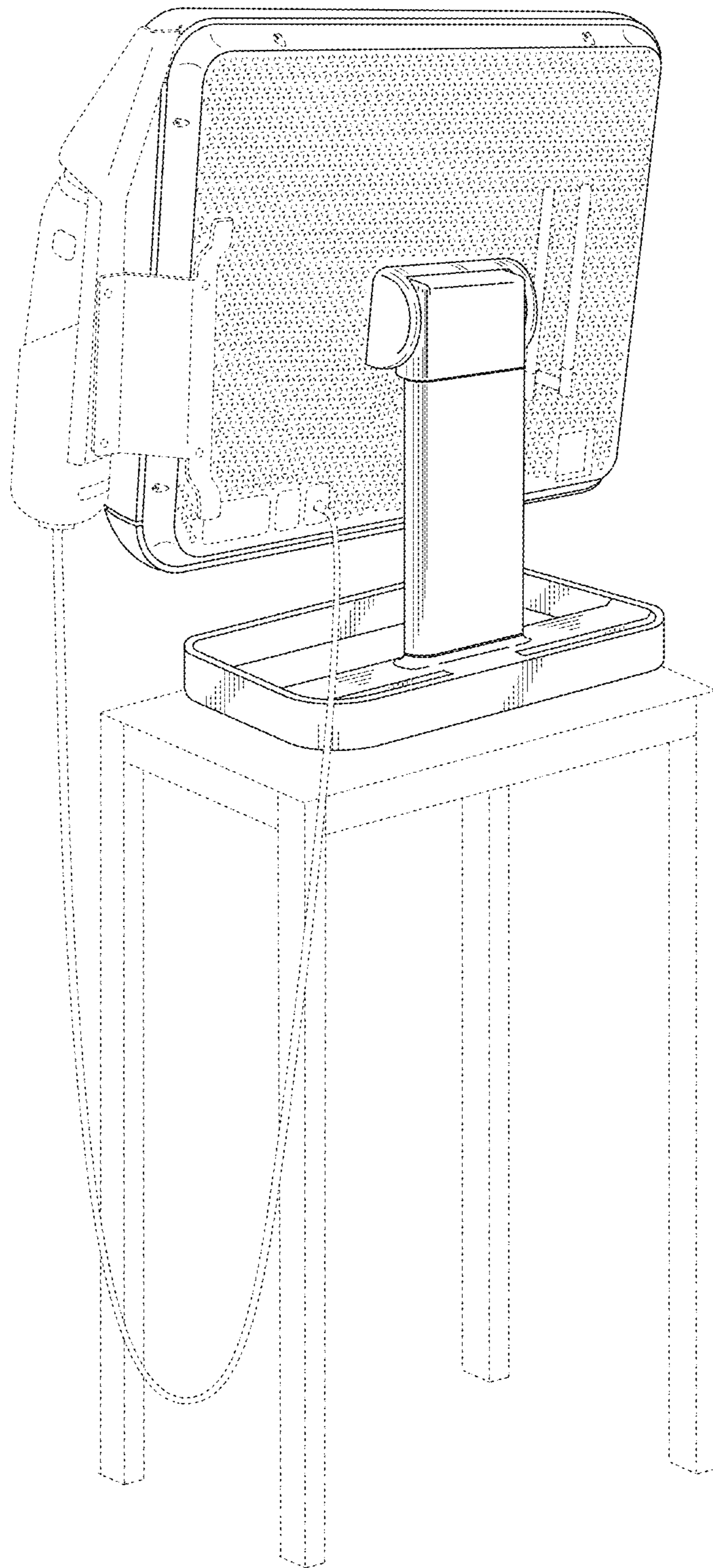


FIG. 9

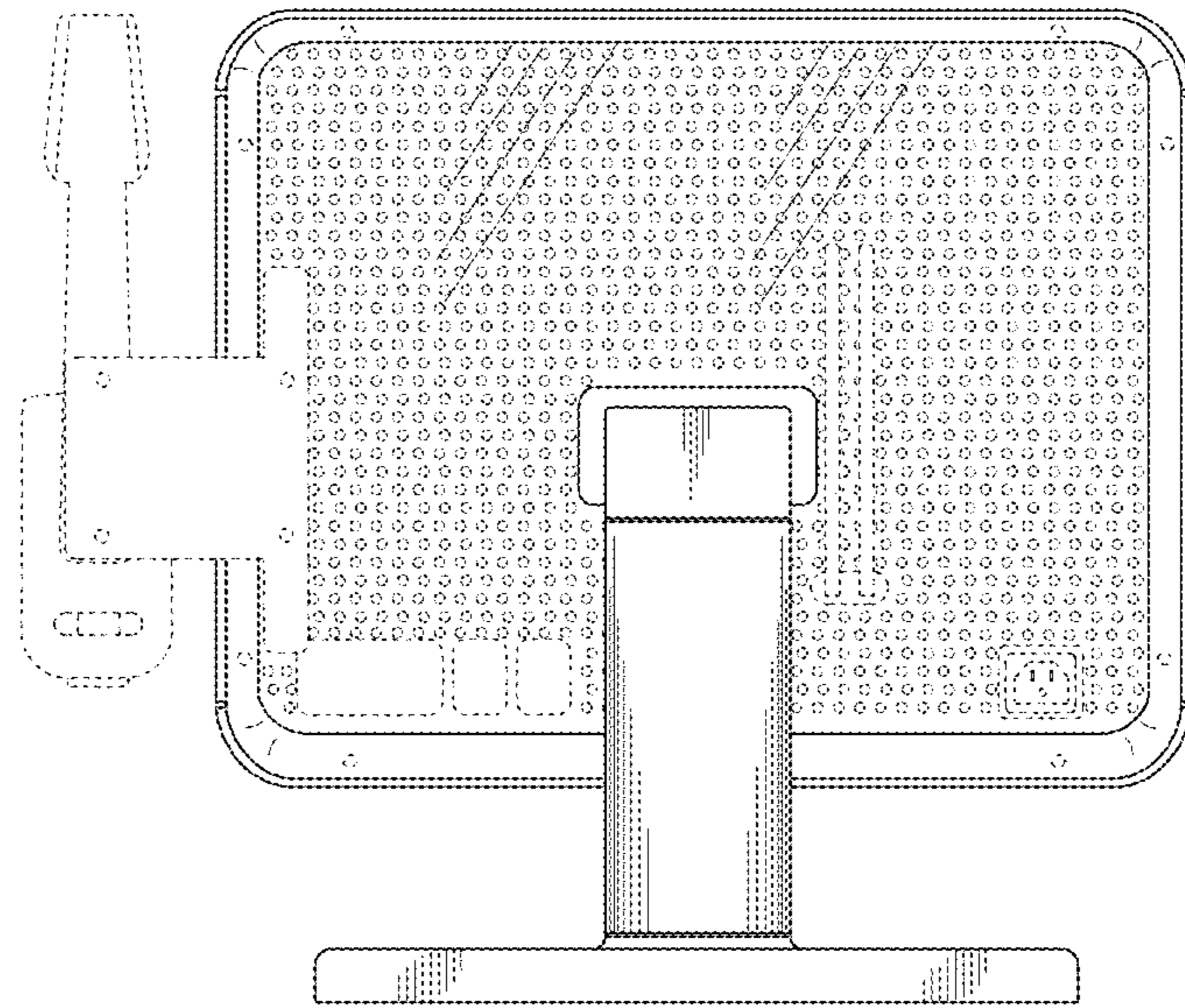


FIG. 10