



US00D816219S

(12) **United States Design Patent**
Sweitzer

(10) **Patent No.:** **US D816,219 S**

(45) **Date of Patent:** **** Apr. 24, 2018**

- (54) **SLAP HAMMER**
- (71) Applicant: **Shukla Medical**, Piscataway, NJ (US)
- (72) Inventor: **Zachary Robert Sweitzer**, Basking Ridge, NJ (US)
- (73) Assignee: **Shukia Medical**, Piscataway, NJ (US)
- (**) Term: **15 Years**
- (21) Appl. No.: **29/575,467**
- (22) Filed: **Aug. 25, 2016**
- (51) **LOC (11) Cl.** **24-02**
- (52) **U.S. Cl.**
USPC **D24/146**
- (58) **Field of Classification Search**
USPC D24/146, 147, 127, 130, 133, 135, 140;
D8/40, 90, 300, 310, 311; 606/80, 99,
606/86 R
CPC A61B 17/164; A61B 17/1637; A61B
17/1635; A61F 2/46; A61F 2/461; A61F
2002/30476; A61F 2002/30537; A61F
2002/4619; A61F 2002/4622; A61F
2002/4681
See application file for complete search history.

- 2013/0261626 A1* 10/2013 Chavarria A61F 2/4612
606/79
- 2014/0207141 A1* 7/2014 Kehres A61B 17/1617
606/80
- 2015/0359641 A1* 12/2015 Nic A61F 2/4609
606/81
- 2016/0206326 A1* 7/2016 Gilhooley A61F 2/4609

* cited by examiner

Primary Examiner — Thomas Johannes

Assistant Examiner — Samantha Q Lawrence

(74) *Attorney, Agent, or Firm* — Kim Winston LLP

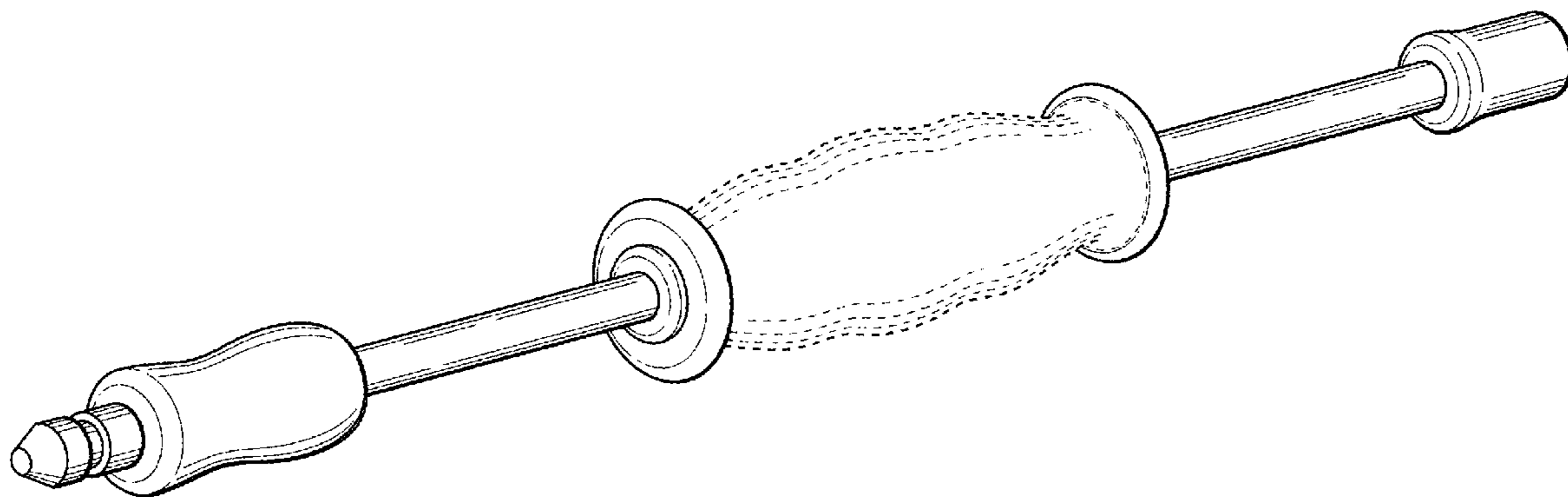
(57) **CLAIM**

The ornamental design for a slap hammer, as shown and described.

DESCRIPTION

FIG. 1 is a bottom perspective view of a slap hammer in accordance with the new design;
 FIG. 2 is a top perspective view of the slap hammer of FIG. 1;
 FIG. 3 is a bottom end view of the slap hammer of FIG. 1;
 FIG. 4 is a top end view of the slap hammer of FIG. 1;
 FIG. 5 is a left side view of the slap hammer of FIG. 1;
 FIG. 6 is a right side view of the slap hammer of FIG. 1;
 FIG. 7 is a front side view of the slap hammer of FIG. 1; and,
 FIG. 8 is a rear view of the slap hammer of FIG. 1.
 The broken lines shown in FIGS. 1-8 illustrate portions of the slap hammer that form no part of the claimed design. The broken lines shown in FIGS. 1, 2, and 5-8 directly adjacent to the left and right sides of the central area illustrate the boundary of the claim.

1 Claim, 5 Drawing Sheets



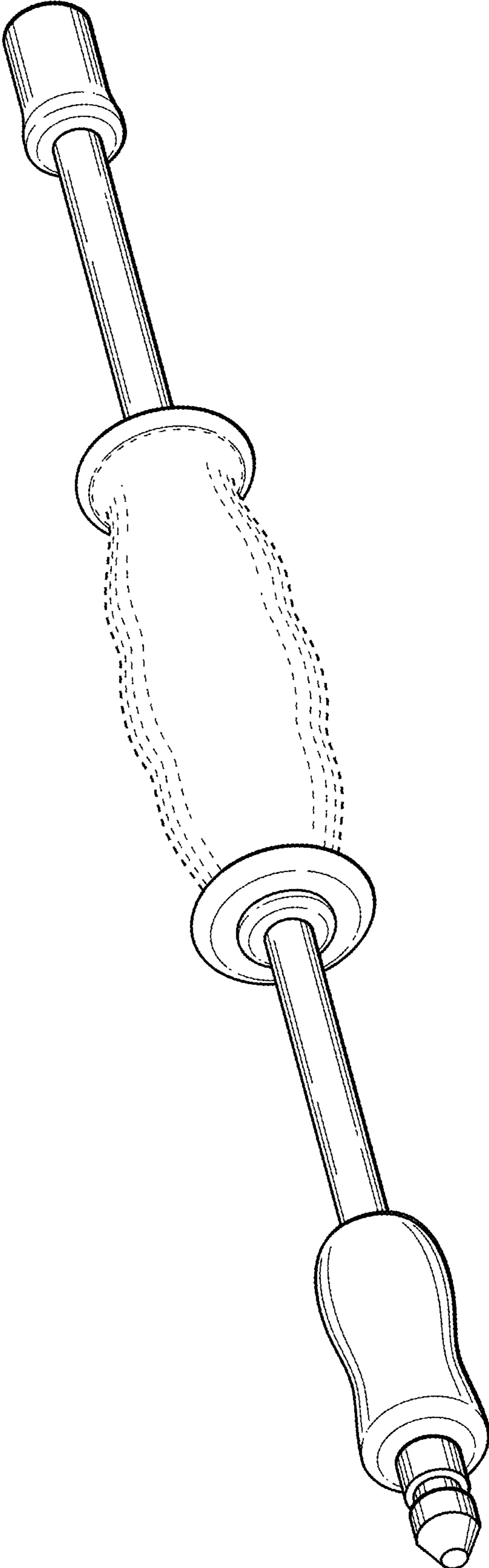


FIG. 1

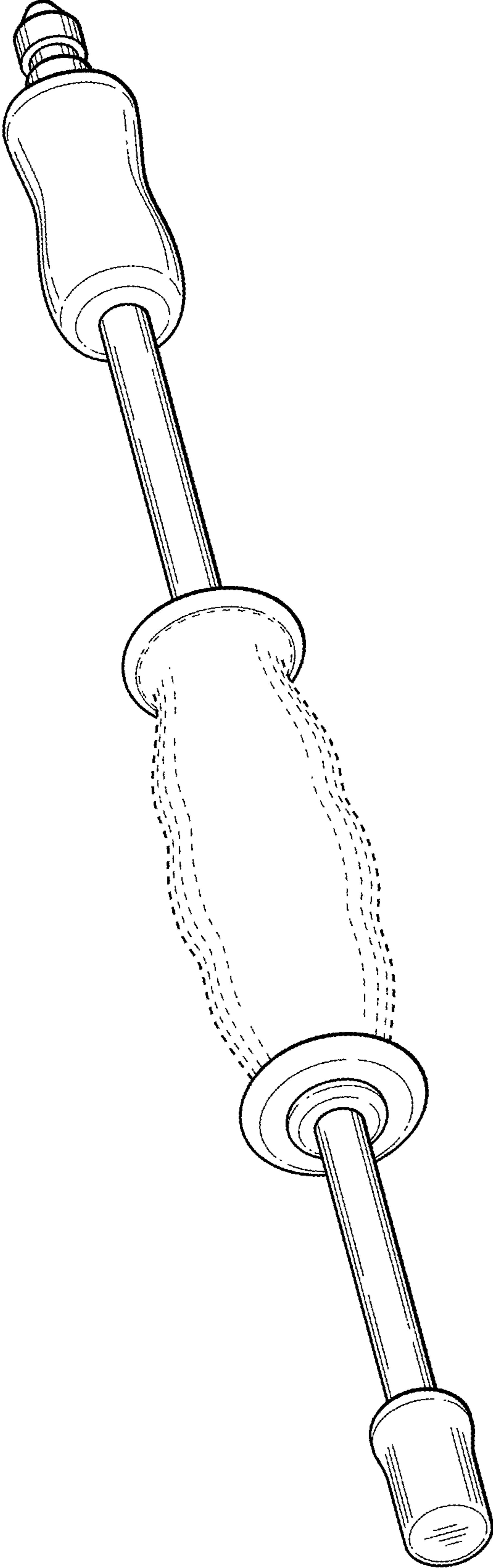


FIG. 2

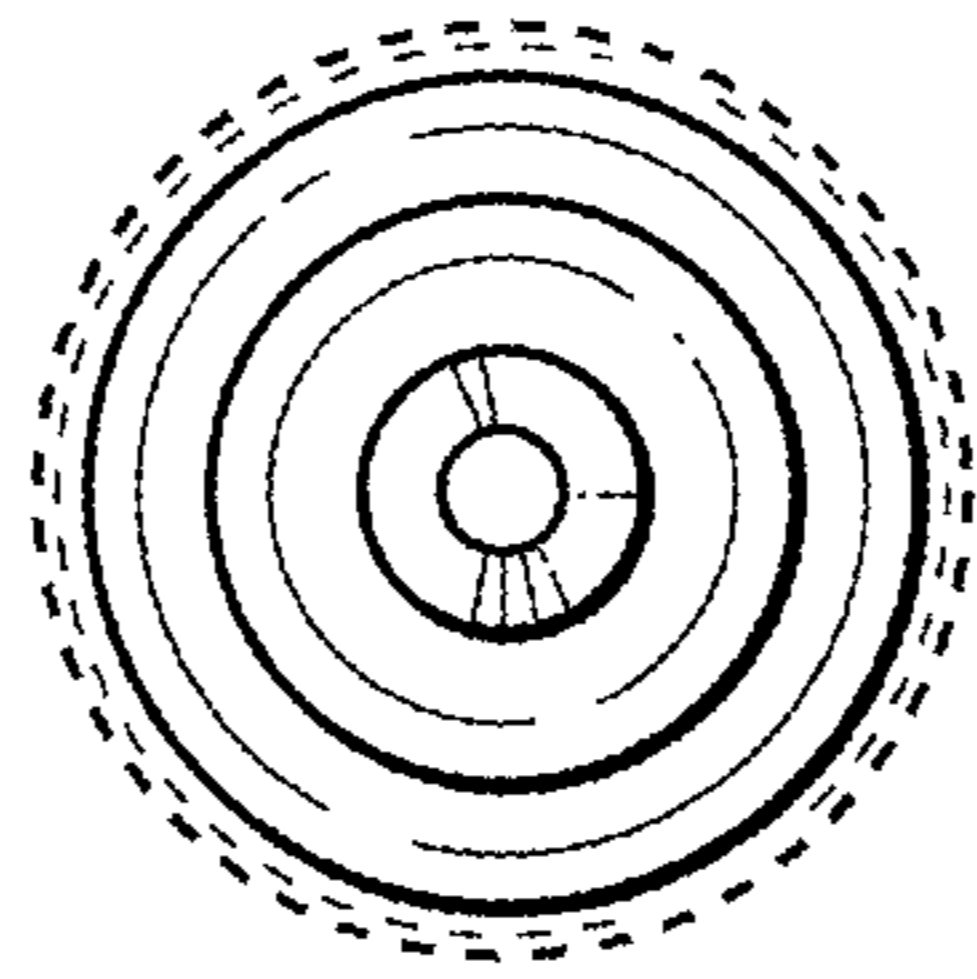


FIG. 3

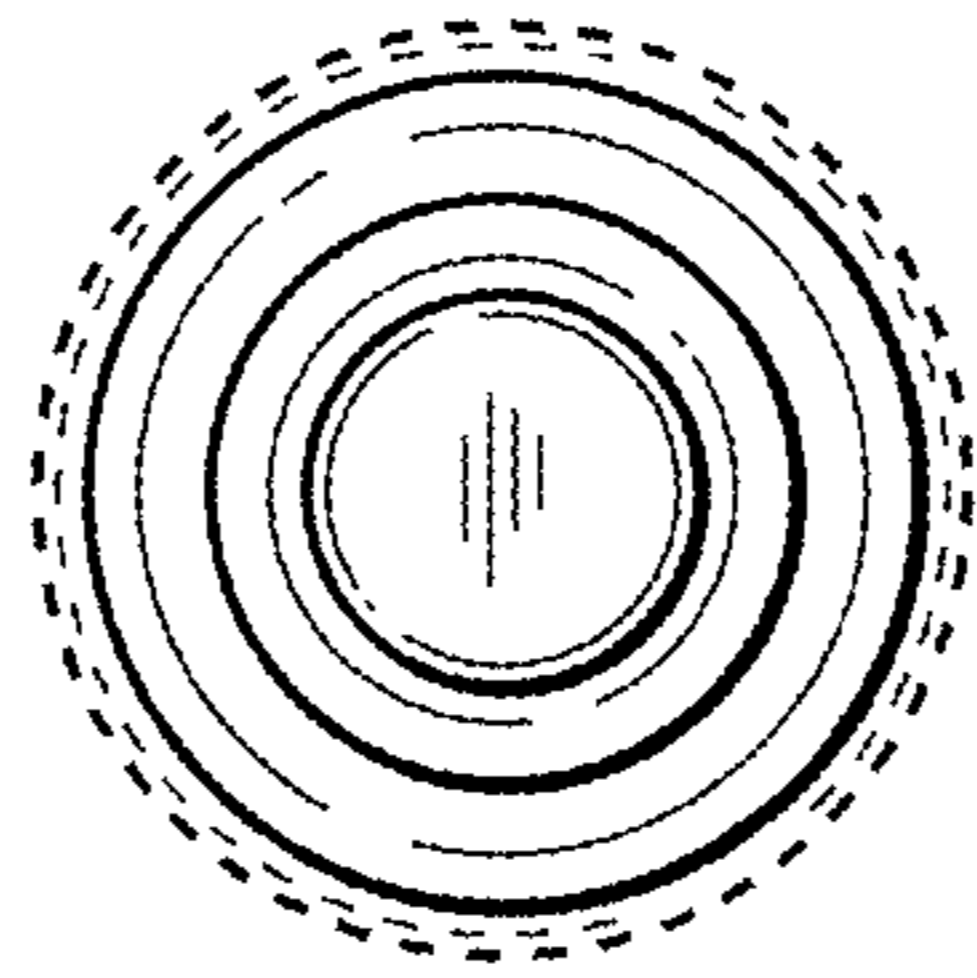


FIG. 4



FIG. 5



FIG. 6

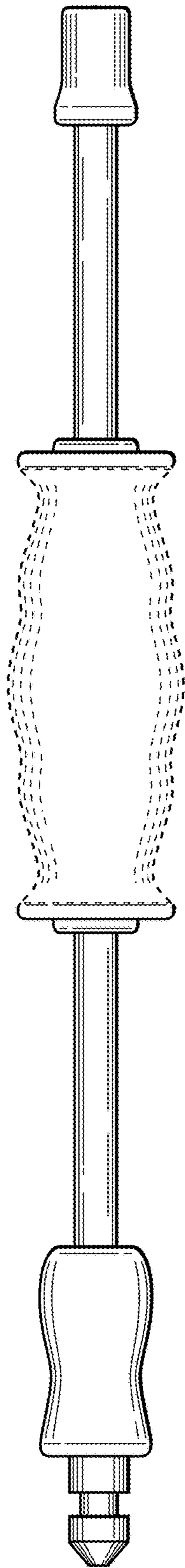


FIG. 7



FIG. 8