



US00D816218S

(12) **United States Design Patent**
Kambe et al.

(10) **Patent No.:** **US D816,218 S**
(45) **Date of Patent:** **** Apr. 24, 2018**

- (54) **ANTERIOR OCULAR SEGMENT OBSERVATION DEVICE**
- (71) Applicant: **KOWA COMPANY, LTD.**,
Nagoya-shi, Aichi-ken (JP)
- (72) Inventors: **Naoki Kambe**, Kawasaki (JP); **Nozomu Toriba**, Tokyo (JP)
- (73) Assignee: **KOWA COMPANY, LTD.**,
Nagoya-Shi, Aichi-Ken (JP)
- (**) Term: **14 Years**
- (21) Appl. No.: **29/525,243**
- (22) Filed: **Apr. 28, 2015**

- 5,202,709 A * 4/1993 Ichihashi A61B 3/1225
351/208
- 5,425,729 A * 6/1995 Ishida A61B 3/0075
606/13
- 6,364,484 B2 * 4/2002 Yamada A61B 3/0008
351/200
- 6,805,443 B2 * 10/2004 Kakuuchi A61B 3/135
351/214
- 7,293,874 B2 * 11/2007 Suzuki A61B 3/117
351/206
- D582,556 S * 12/2008 Yamaoka D16/200
- D607,562 S * 1/2010 Heine D24/137
- D614,774 S * 4/2010 Gausmann D24/160
- D698,444 S * 1/2014 Mensink D24/172
- D701,317 S * 3/2014 Takasu D24/172
- D738,509 S * 9/2015 van Elzakker D24/172
- D738,510 S * 9/2015 Wing D24/172
- D775,356 S * 12/2016 Zhou D24/172

(Continued)

(30) **Foreign Application Priority Data**

- Oct. 30, 2014 (JP) 2014-024232
- (51) **LOC (11) Cl.** **24-00**
- (52) **U.S. Cl.**
USPC **D24/137**
- (58) **Field of Classification Search**
USPC D24/137, 160, 172; D16/135, 200, 130;
606/17; 351/205, 208, 200, 206, 214
CPC A61F 9/008; A61B 3/117; A61B 3/135;
A61B 3/0008; A61B 3/0075; A61B
3/1225; A61B 3/10
See application file for complete search history.

(56) **References Cited**

U.S. PATENT DOCUMENTS

- D297,645 S * 9/1988 Nishimura D16/130
- 4,776,335 A * 10/1988 Nakanishi A61F 9/008
606/17
- 5,000,562 A * 3/1991 Ichihashi A61B 3/10
351/205
- D330,769 S * 11/1992 Blaha D24/137

Primary Examiner — Rhea Shields

(74) *Attorney, Agent, or Firm* — Bacon & Thomas, PLLC

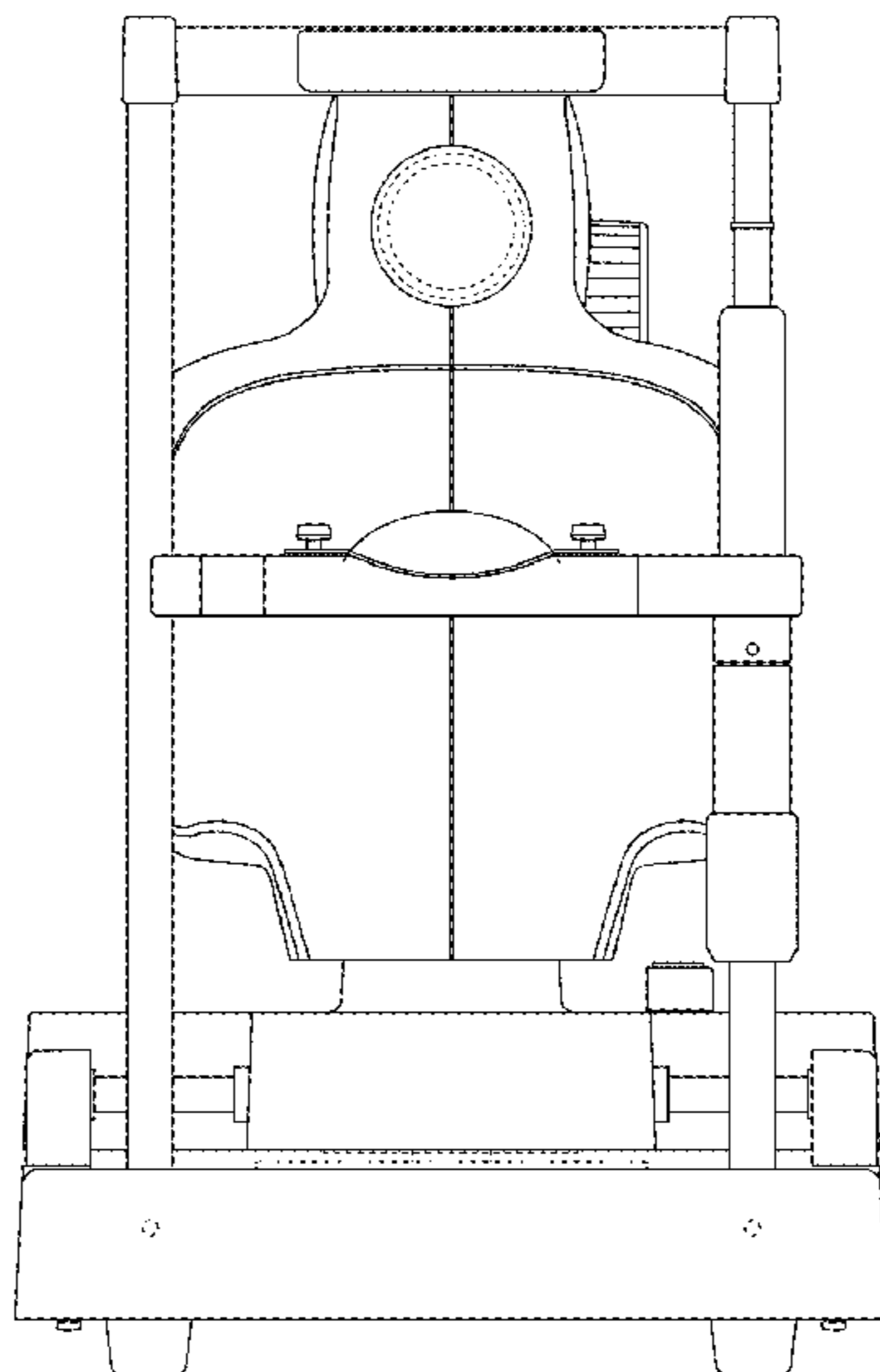
(57) **CLAIM**

The ornamental design for an anterior ocular segment observation device, as shown and described.

DESCRIPTION

FIG. 1 is a front view of the anterior ocular segment observation device, according to our new design;
 FIG. 2 is a rear view thereof;
 FIG. 3 is a top view thereof;
 FIG. 4 is a bottom view thereof;
 FIG. 5 is a right side view thereof;
 FIG. 6 is a left side view thereof;
 FIG. 7 is a front perspective view thereof; and,
 FIG. 8 is a rear perspective view thereof.
 In the drawings, the broken lines are for the purpose of illustrating environment only and form no part of the claimed design.

1 Claim, 8 Drawing Sheets



(56)

References Cited

U.S. PATENT DOCUMENTS

D785,065 S * 4/2017 Huang D16/135
2002/0060778 A1 * 5/2002 Su A61F 9/008
351/206

* cited by examiner

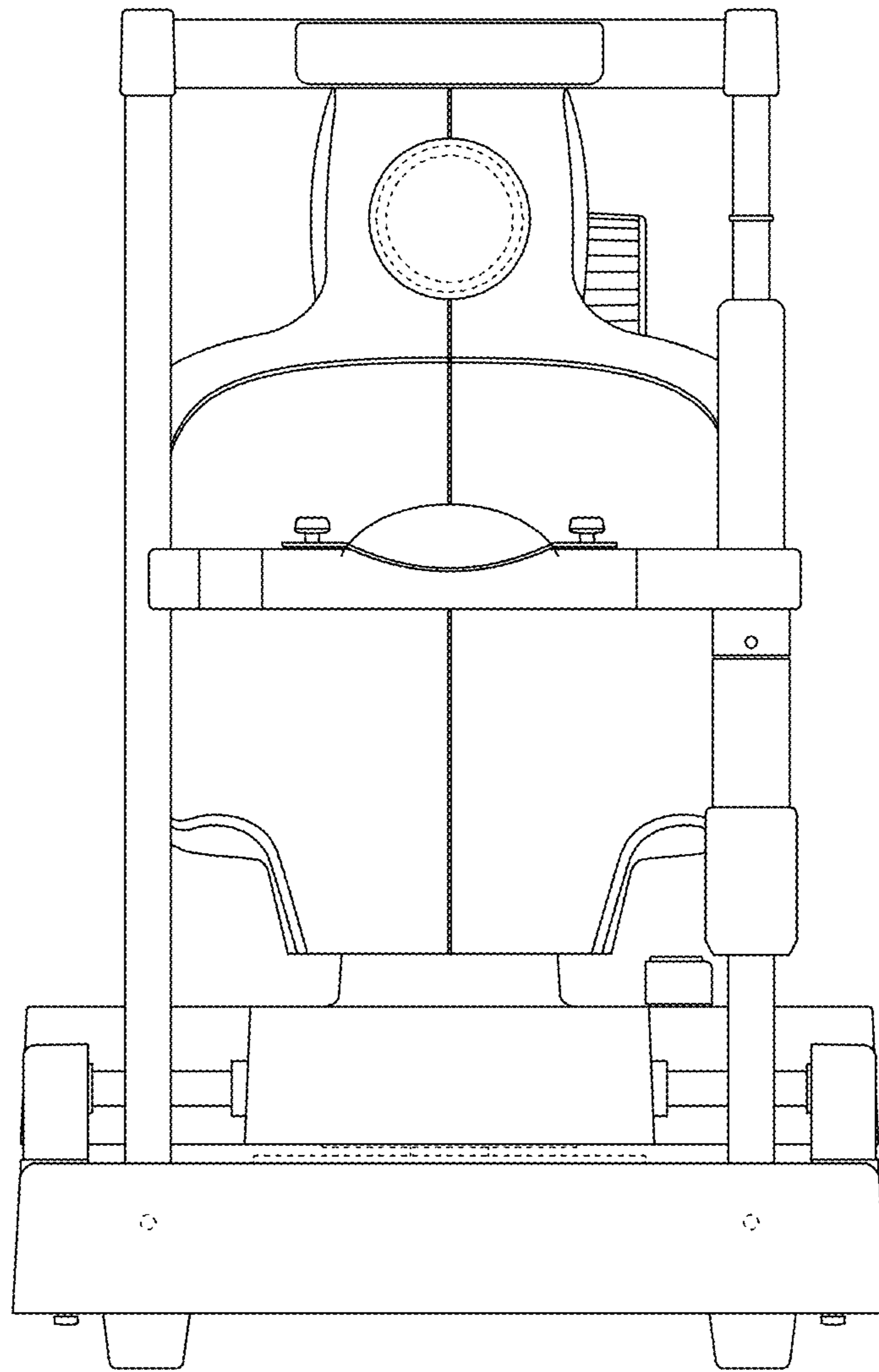


FIG. 1

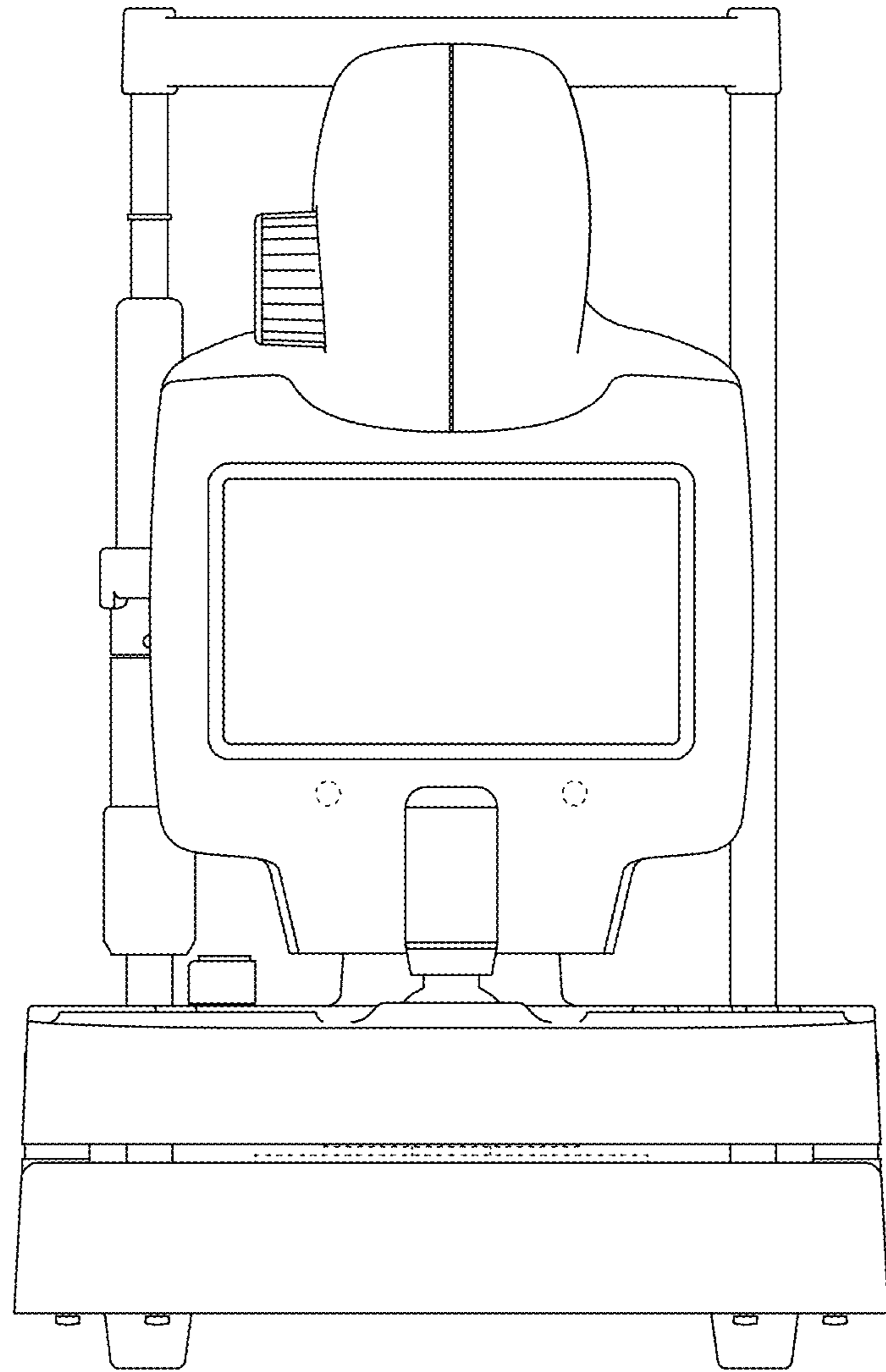


FIG. 2

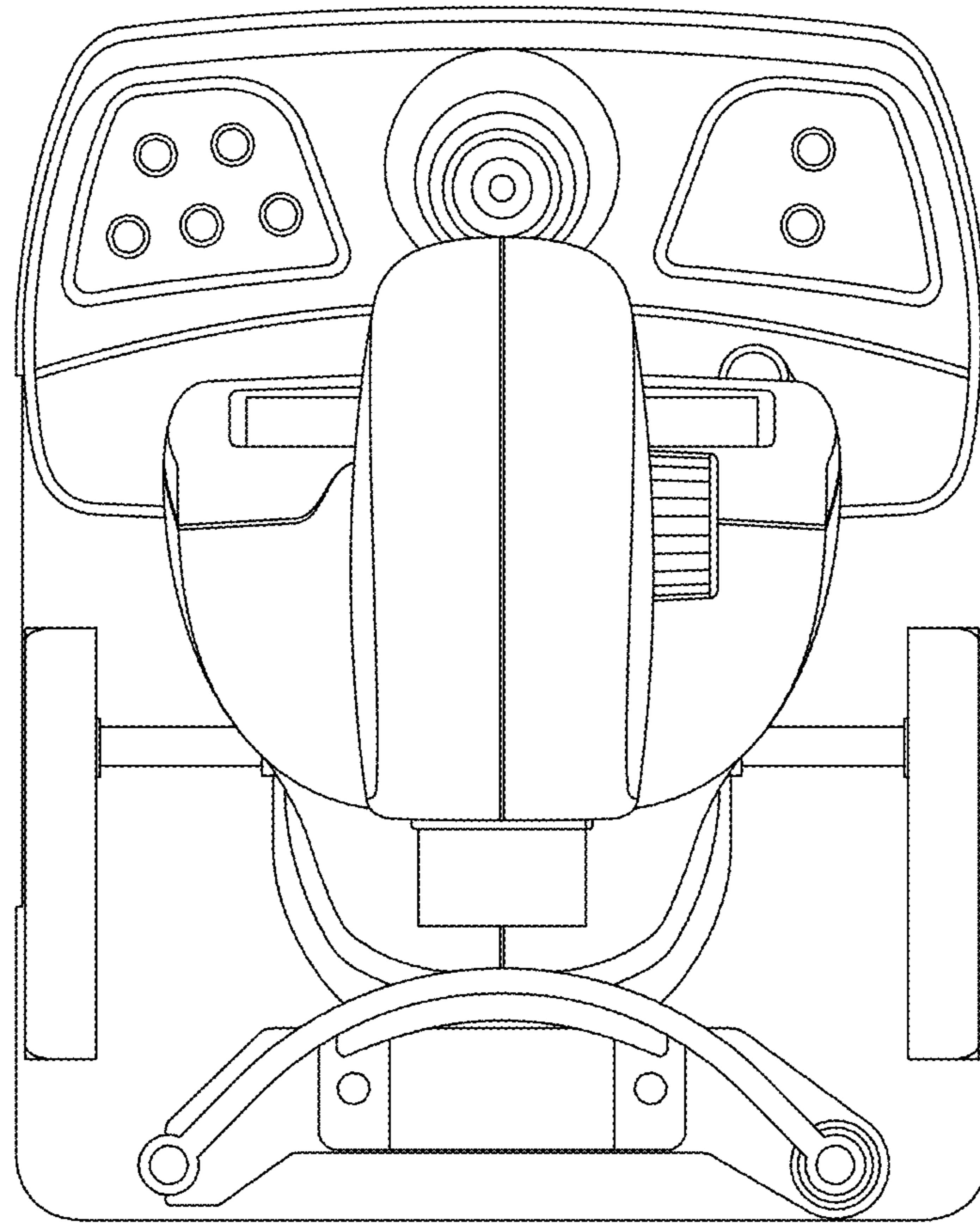


FIG. 3

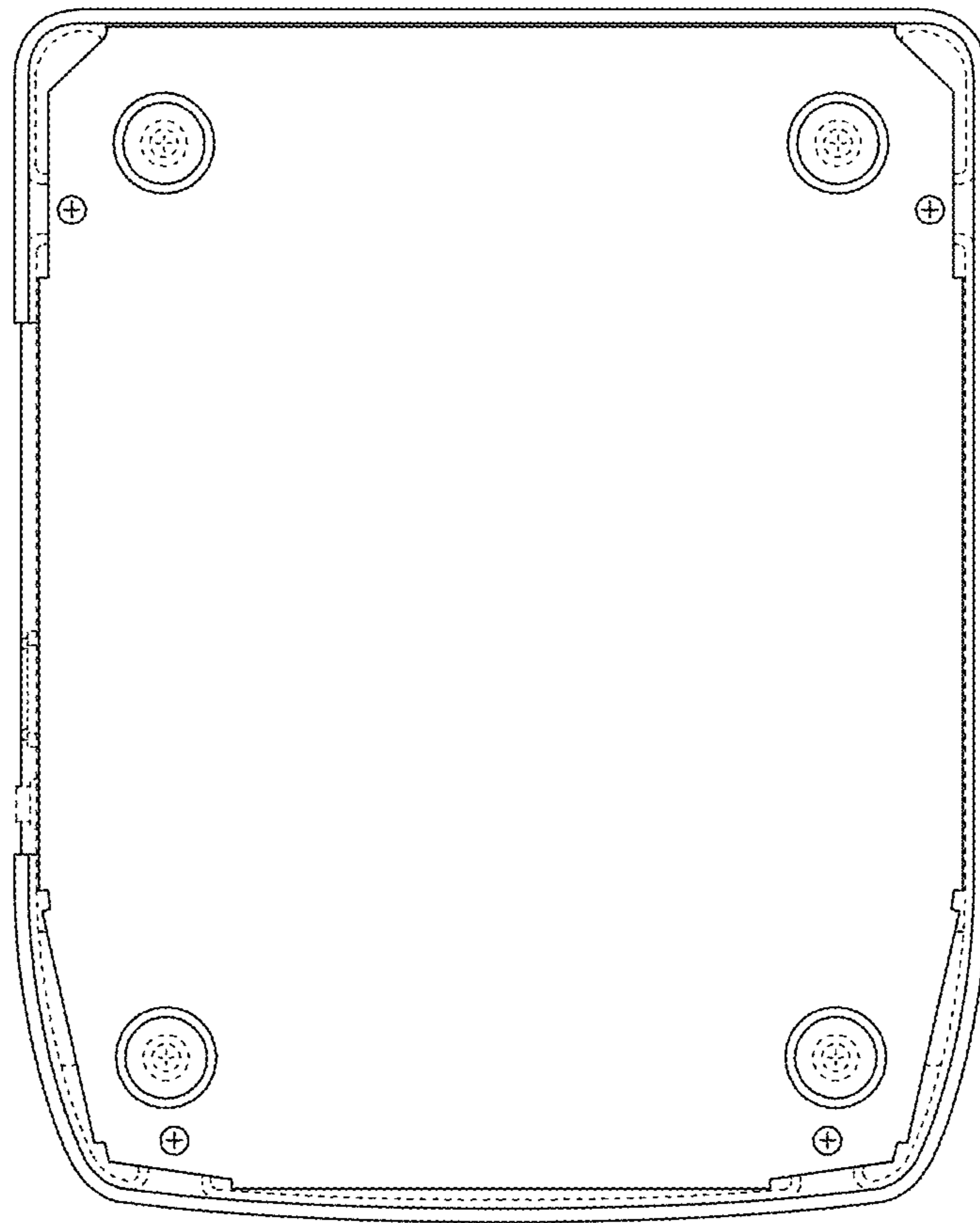


FIG. 4

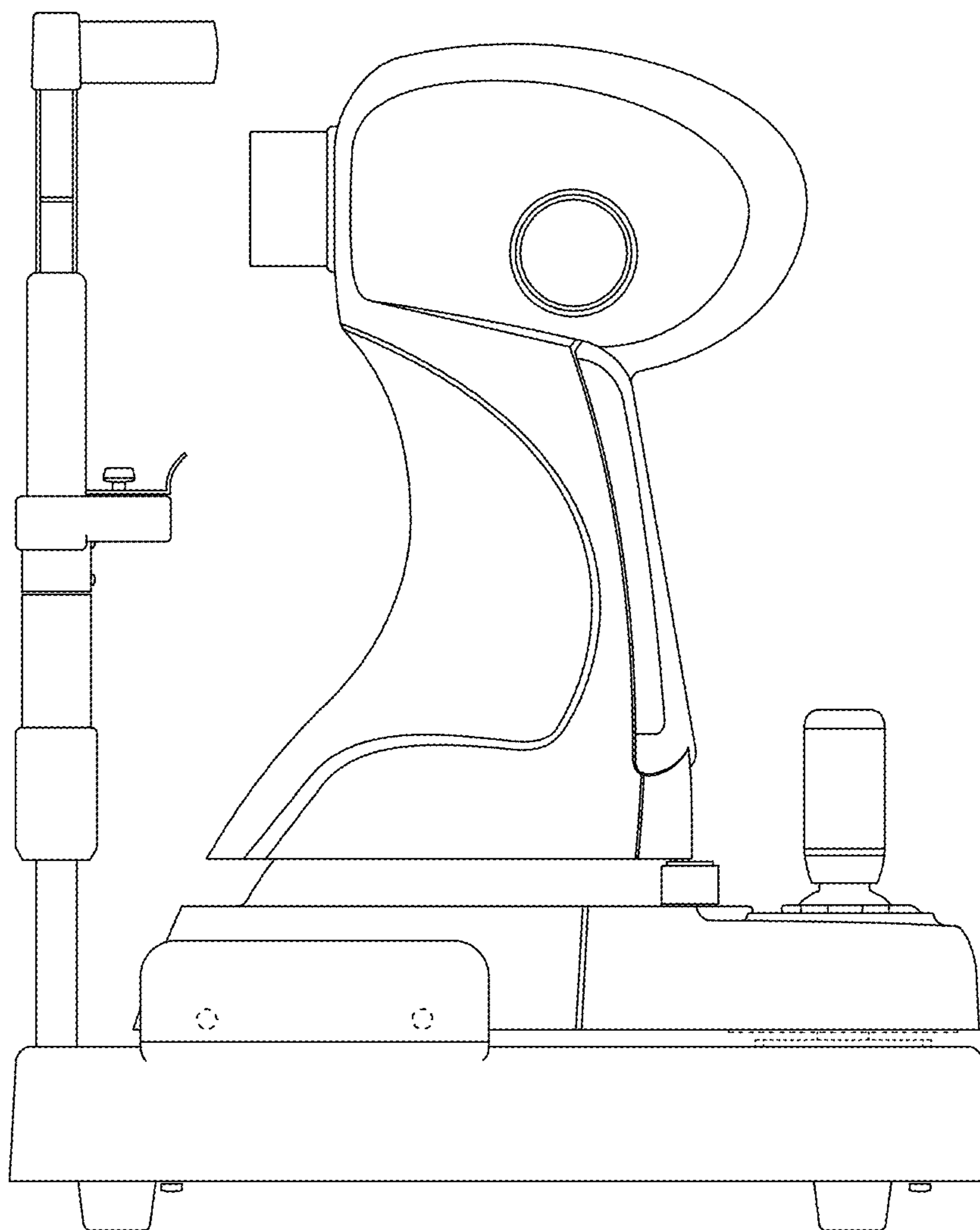


FIG. 5

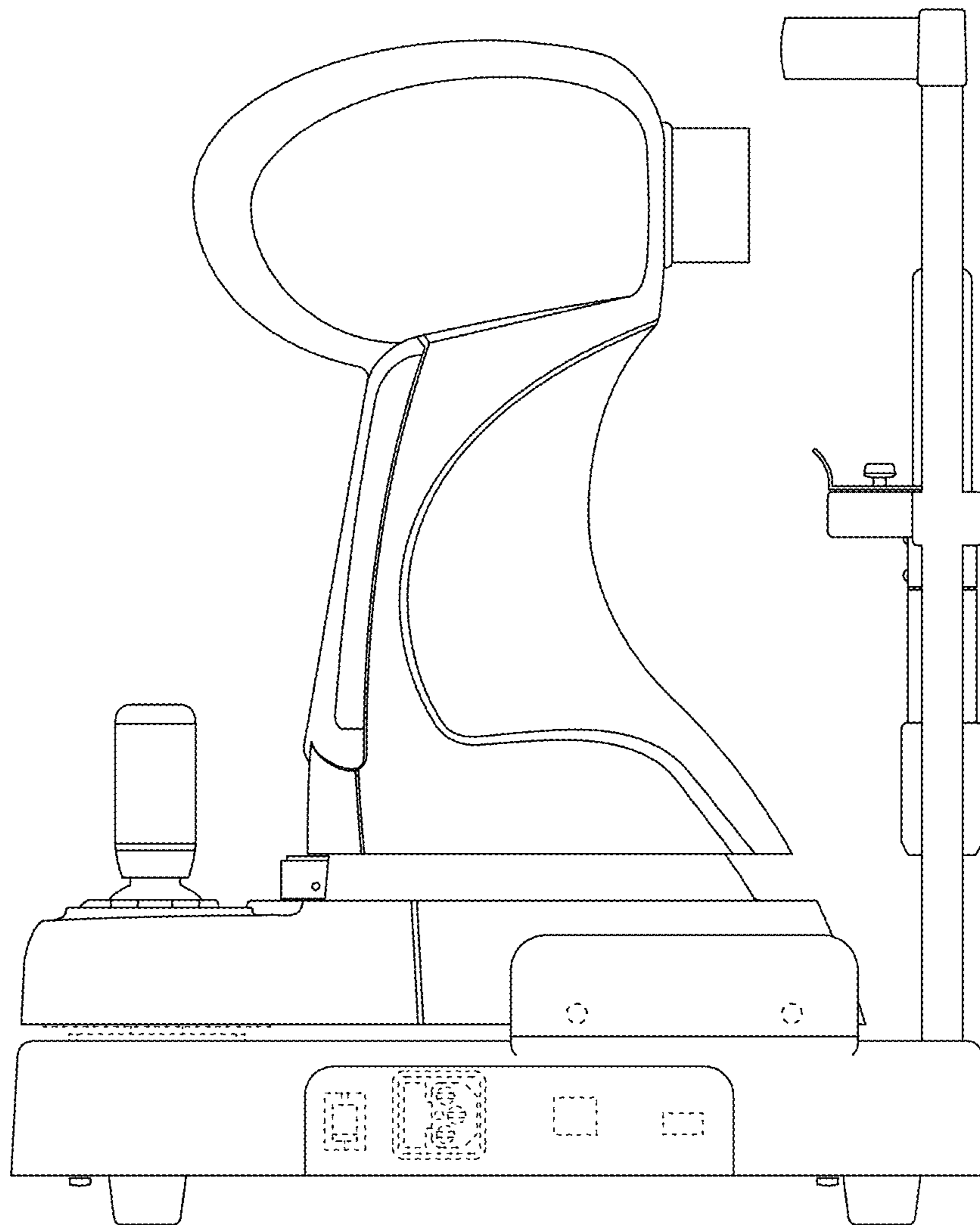


FIG. 6

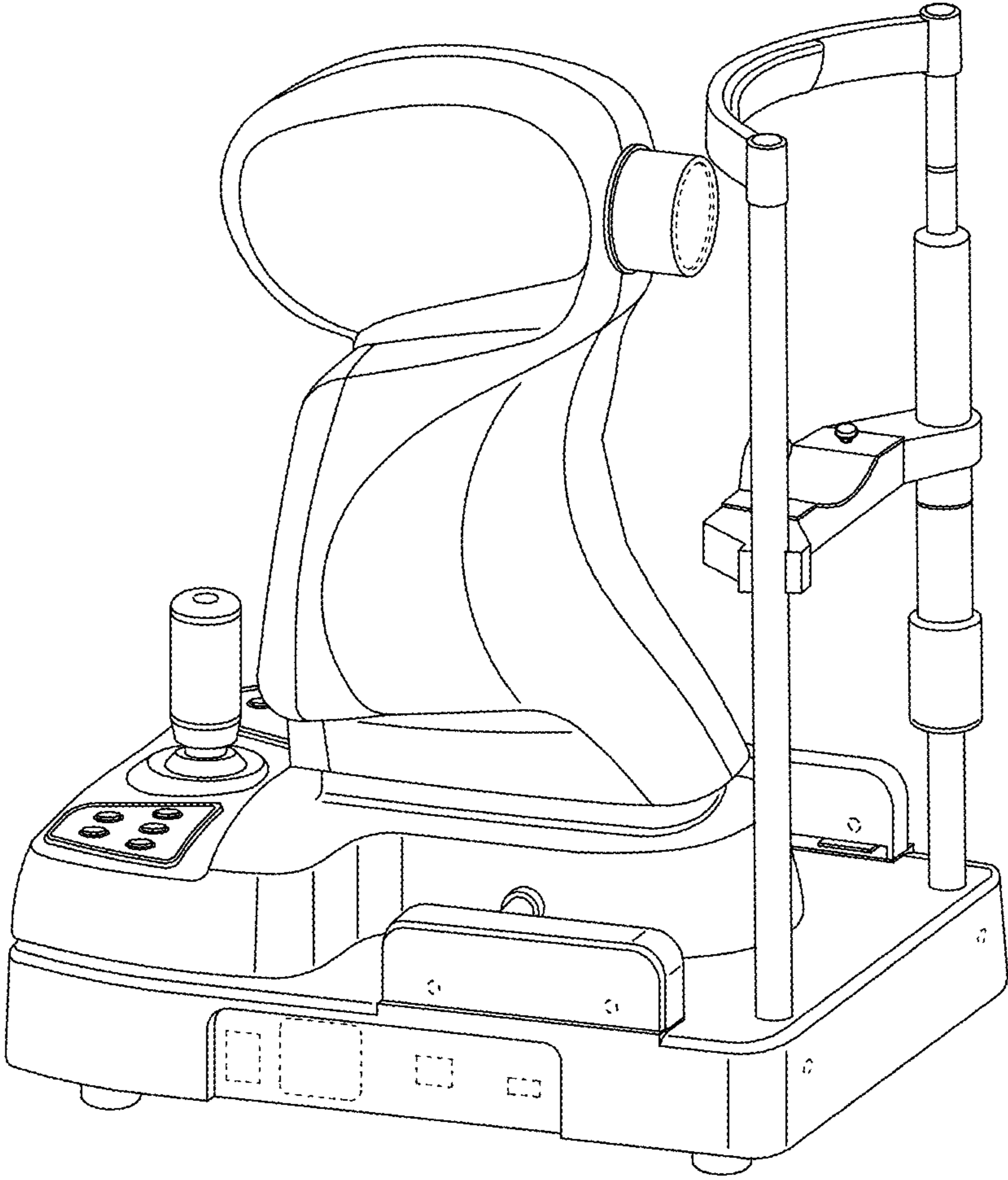


FIG. 7

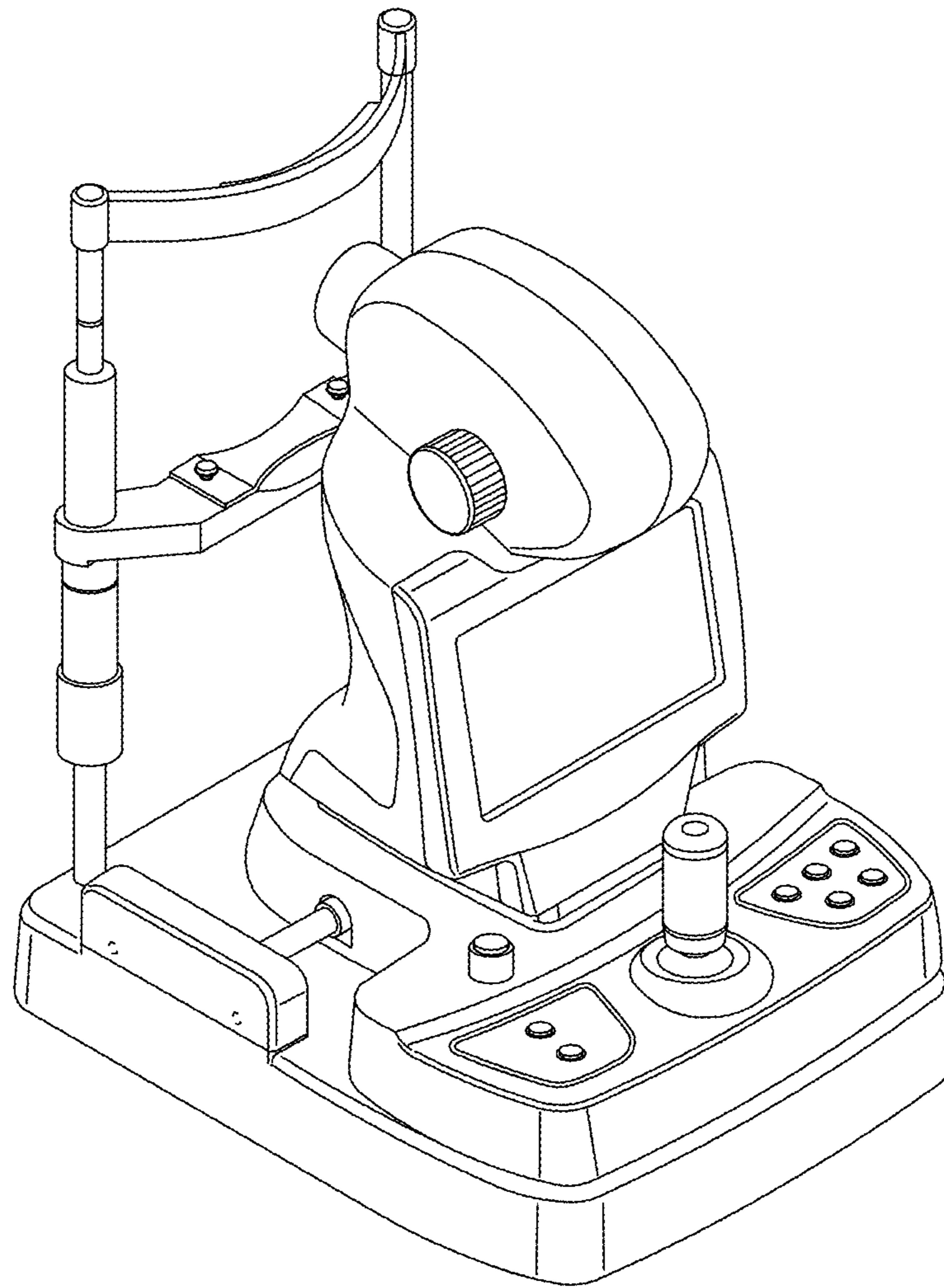


FIG. 8