



US00D816216S

(12) **United States Design Patent** (10) **Patent No.:** **US D816,216 S**
Gulliver et al. (45) **Date of Patent:** **** Apr. 24, 2018**

(54) **CONNECTOR**
(71) Applicant: **Fisher & Paykel Healthcare Limited**,
Auckland (NZ)
(72) Inventors: **Laurence Gulliver**, Auckland (NZ);
Michael Paul Ronayne, Auckland
(NZ); **Charles William Douglas**
Irving, Auckland (NZ); **Mark Thomas**
O'Connor, Auckland (NZ)
(73) Assignee: **Fisher & Paykel Healthcare Limited**
(NZ)

4,584,997 A 4/1986 DeLong
4,589,684 A 5/1986 Nowacki et al.
4,601,495 A 7/1986 Webb
D300,271 S 3/1989 Rudolph et al.
D300,272 S 3/1989 Rudolph et al.
5,040,527 A 8/1991 Larson et al.
5,335,656 A 8/1994 Bowe et al.
D363,541 S * 10/1995 Cottone, Sr. D24/129
D431,634 S 10/2000 Mantz
6,439,234 B1 8/2002 Curti et al.
D468,015 S * 12/2002 Horppu D24/129
D472,316 S * 3/2003 Douglas D24/108
(Continued)

(**) Term: **15 Years**
(21) Appl. No.: **29/551,020**
(22) Filed: **Jan. 8, 2016**

FOREIGN PATENT DOCUMENTS

DE 37 09 122 A1 9/1988
DE 10 2007 063 556 A1 7/2009
(Continued)

Related U.S. Application Data
(63) Continuation of application No. 29/429,467, filed on
Aug. 10, 2012, now Pat. No. Des. 747,471.
(51) **LOC (11) Cl.** **24-01**
(52) **U.S. Cl.**
USPC **D24/129**
(58) **Field of Classification Search**
USPC D8/14, 44, 71, 72, 349, 354, 356, 382,
D8/383, 394, 395, 499, 357, 360.1
CPC F16G 11/048; F16G 11/106; F16G 11/146;
F16G 11/14; F16G 11/02; H01R 4/5075;
H01R 4/5083; H01R 4/52; H01R 4/5041;
Y10T 403/7171; Y10T 24/3996; Y10T
24/39; Y10T 24/3918
See application file for complete search history.

OTHER PUBLICATIONS

International Search Report and Written Opinion; PCT/NZ2012/
000142; dated Jan. 22, 2013; 14 pages.
(Continued)

Primary Examiner — Sandra S Snapp
Assistant Examiner — Ieisha N Price
(74) *Attorney, Agent, or Firm* — Knobbe Martens Olson
& Bear, LLP

(56) **References Cited**
U.S. PATENT DOCUMENTS

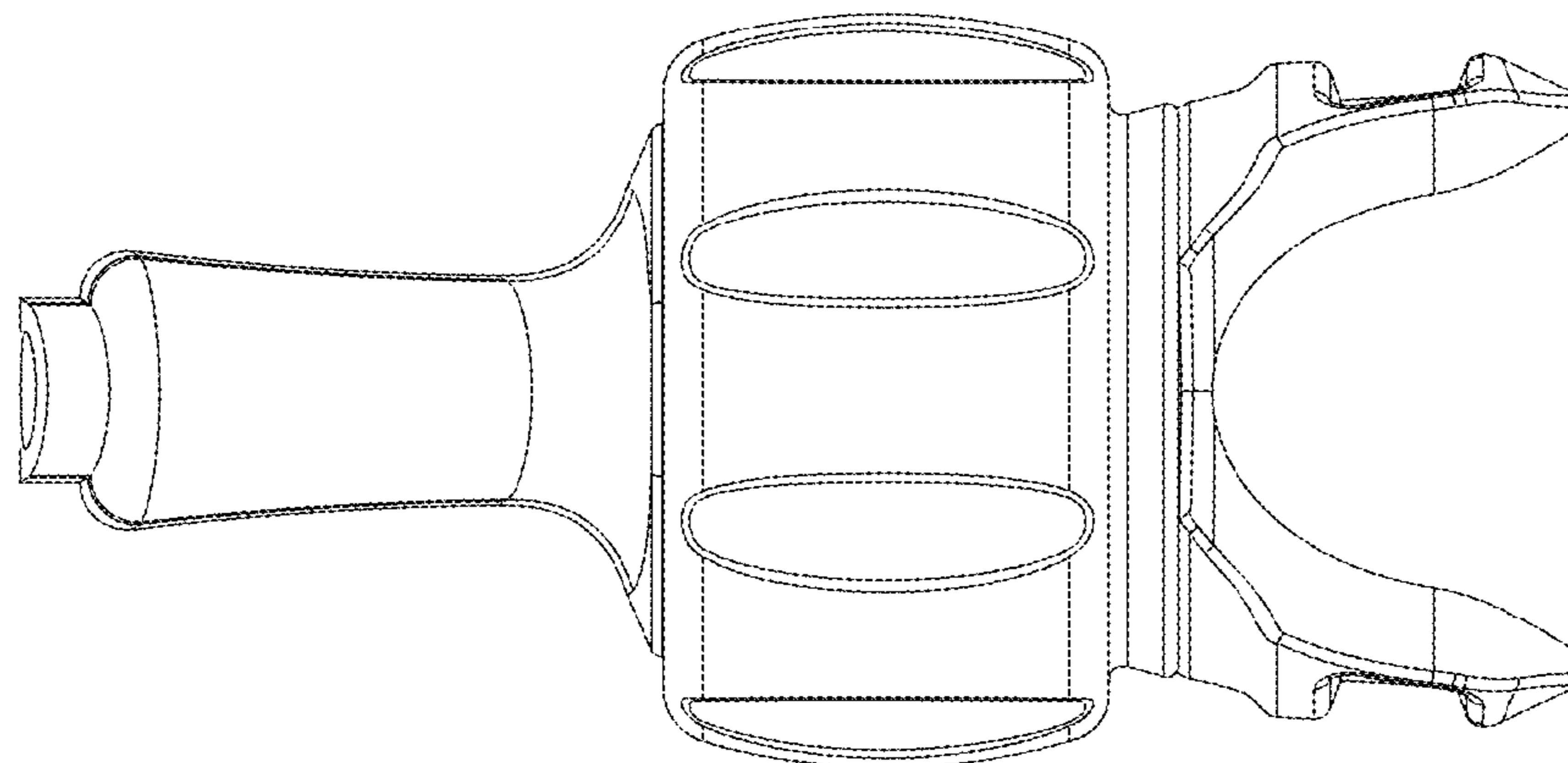
3,513,844 A 5/1970 Smith
4,446,869 A 5/1984 Knodle

(57) **CLAIM**
The ornamental design for a connector, as shown and
described.

DESCRIPTION

FIG. 1 is a side view of a connector, the opposite side being
a mirror image.
FIG. 2 is a top view thereof, the bottom being a mirror
image; and,
FIG. 3 is a front view thereof.

1 Claim, 2 Drawing Sheets



(56)

References Cited

U.S. PATENT DOCUMENTS

D472,630 S * 4/2003 Douglas D24/108
 6,893,055 B2 5/2005 Thomas
 6,915,705 B1 7/2005 Truitt
 D551,340 S 9/2007 Wood et al.
 D627,059 S 11/2010 Wood et al.
 D645,547 S * 9/2011 Lombardi D23/262
 D654,573 S 2/2012 Lombardi et al.
 D661,785 S * 6/2012 Johnson D23/262
 8,317,203 B2 11/2012 Hermle et al.
 D672,037 S 12/2012 Miller
 8,485,193 B2 7/2013 Worley
 8,534,278 B2 9/2013 Colman et al.
 D691,717 S 10/2013 McLean et al.
 D692,555 S * 10/2013 Maksym D24/110
 D695,890 S 12/2013 Bowden et al.
 D697,200 S 1/2014 Mahaffy
 D724,720 S 3/2015 O'Connor et al.
 D735,326 S * 7/2015 Gulliver D24/129
 D736,914 S * 8/2015 Schultz D24/129
 D747,471 S * 1/2016 Gulliver D24/129
 D768,285 S * 10/2016 Reed D24/110
 D794,184 S 8/2017 Smith
 2004/0090066 A1 5/2004 Hoffmann
 2004/0103686 A1 6/2004 Fehr et al.
 2005/0028822 A1 2/2005 Sleeper et al.
 2006/0107958 A1 5/2006 Sleeper
 2006/0107960 A1 5/2006 Smart
 2007/0043334 A1 2/2007 Guala
 2007/0088327 A1 4/2007 Guala
 2007/0175473 A1 8/2007 Lewis et al.
 2008/0093846 A1 4/2008 Sparks
 2008/0142019 A1 6/2008 Lewis et al.
 2008/0190436 A1 8/2008 Jaffe et al.
 2009/0101147 A1 4/2009 Landis et al.

2009/0223523 A1 9/2009 Chang
 2009/0299158 A1 12/2009 Boatner et al.
 2010/0163051 A1 7/2010 Brewer et al.
 2010/0168600 A1 7/2010 Adriance et al.
 2010/0206310 A1 8/2010 Matsubara et al.
 2013/0037030 A1 2/2013 Matula
 2013/0104888 A1 5/2013 Landis et al.
 2014/0000626 A1 1/2014 O'Connor et al.
 2014/0014108 A1 1/2014 Dillard
 2014/0053846 A1 2/2014 Wood
 2014/0200475 A1 7/2014 Rubin
 2014/0338669 A1 11/2014 Zhao et al.
 2015/0021909 A1* 1/2015 Gulliver A61M 16/0666
 285/319
 2015/0320962 A1 11/2015 Bafle et al.
 2016/0131292 A1 5/2016 Decker
 2017/0065789 A1 3/2017 Reed

FOREIGN PATENT DOCUMENTS

EP 1 314 446 8/2002
 EP 1933074 A2 6/2008
 JP 2003-502116 1/2003
 WO WO 2003/082406 A2 10/2003
 WO WO 2004/108218 12/2004
 WO WO 2005/079670 9/2005
 WO WO 2013/022356 2/2013

OTHER PUBLICATIONS

PCT Application No. PCT/NZ2012/000142 International Preliminary Report on Patentability dated Feb. 20, 2014 in 6 pages.
 Combined Search and Examination Report in co-pending Application No. GB 180068.3, dated Jan. 25, 2018 in 6 pages.

* cited by examiner

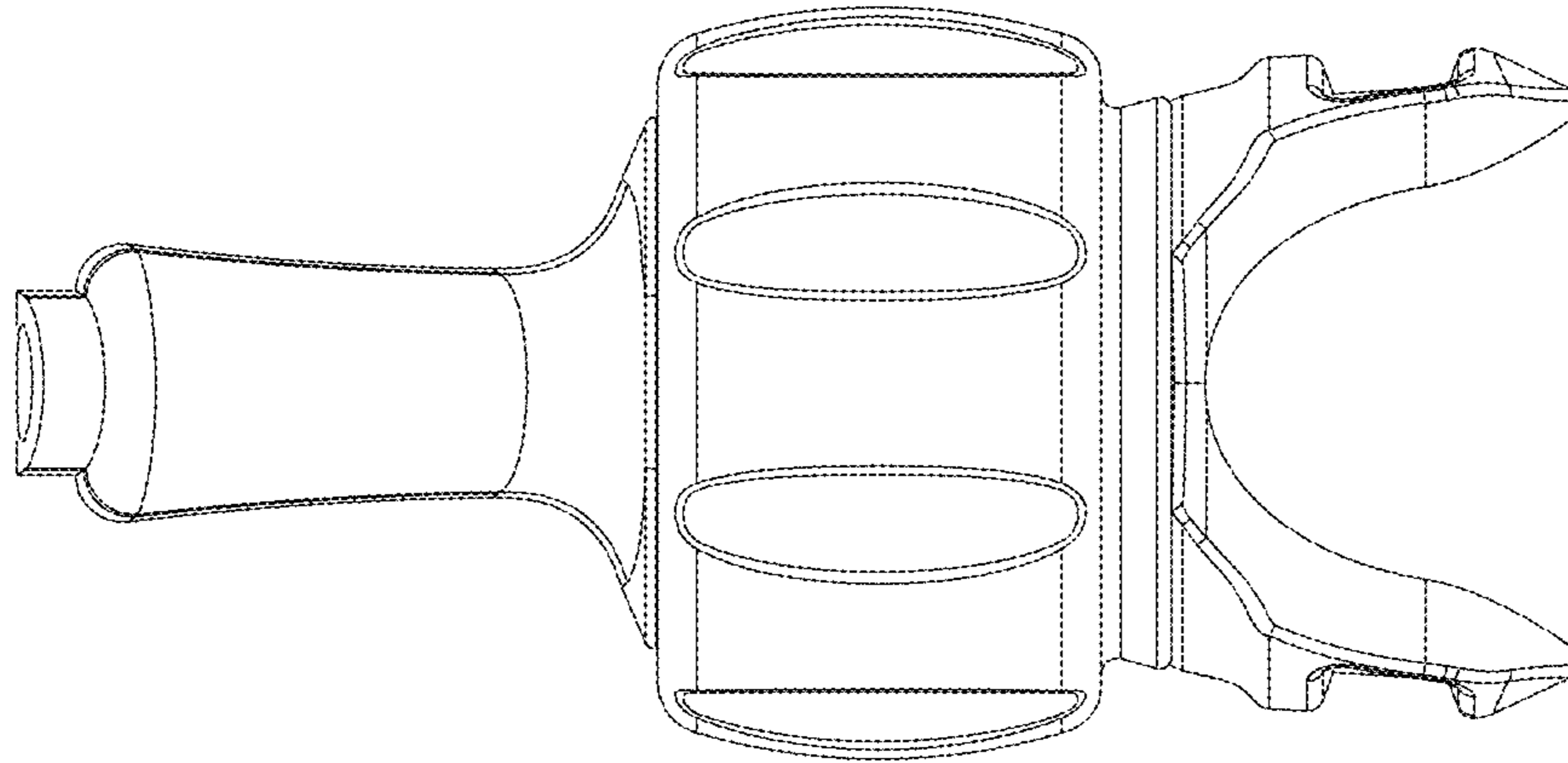


FIG. 1

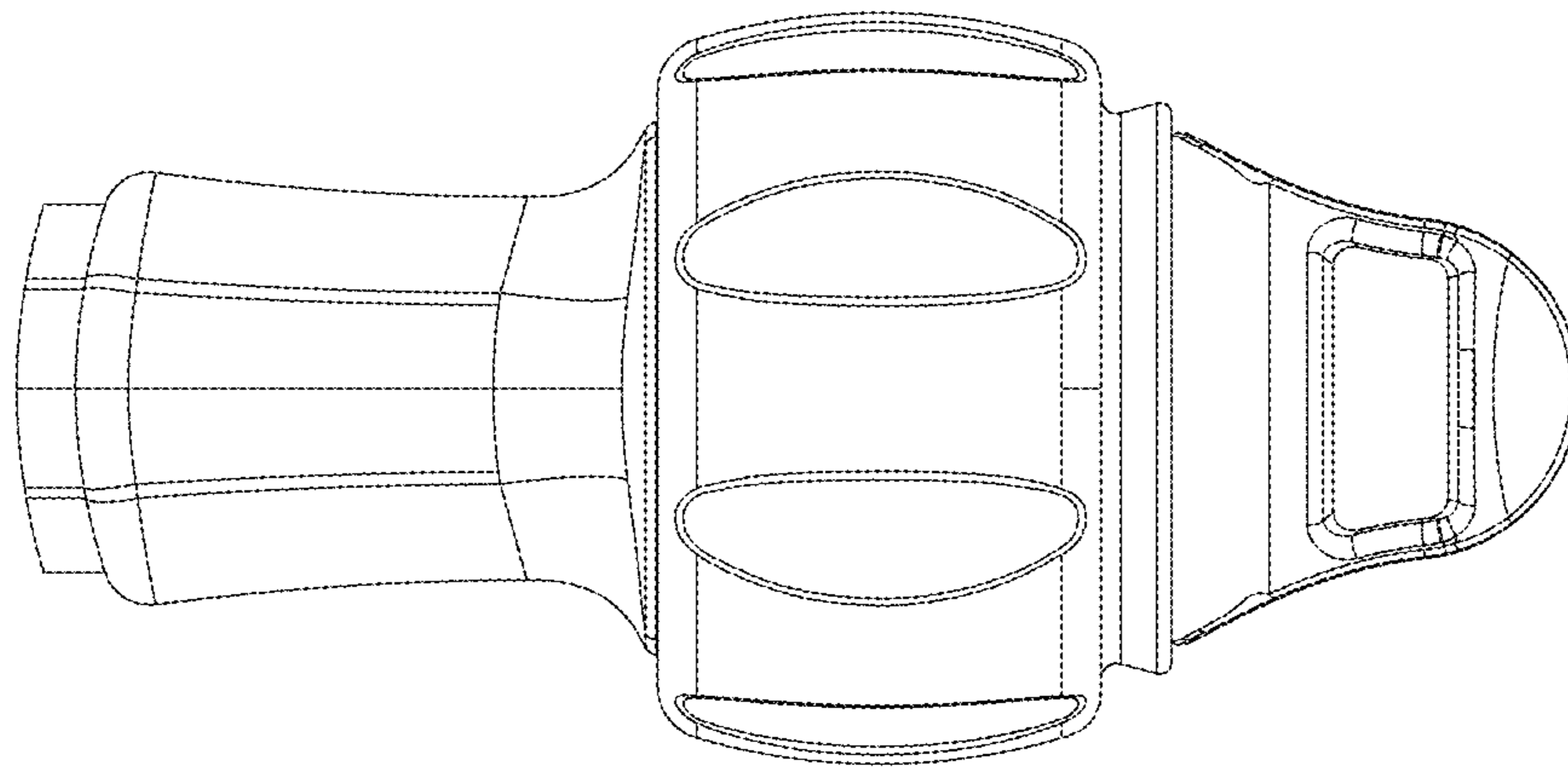


FIG. 2

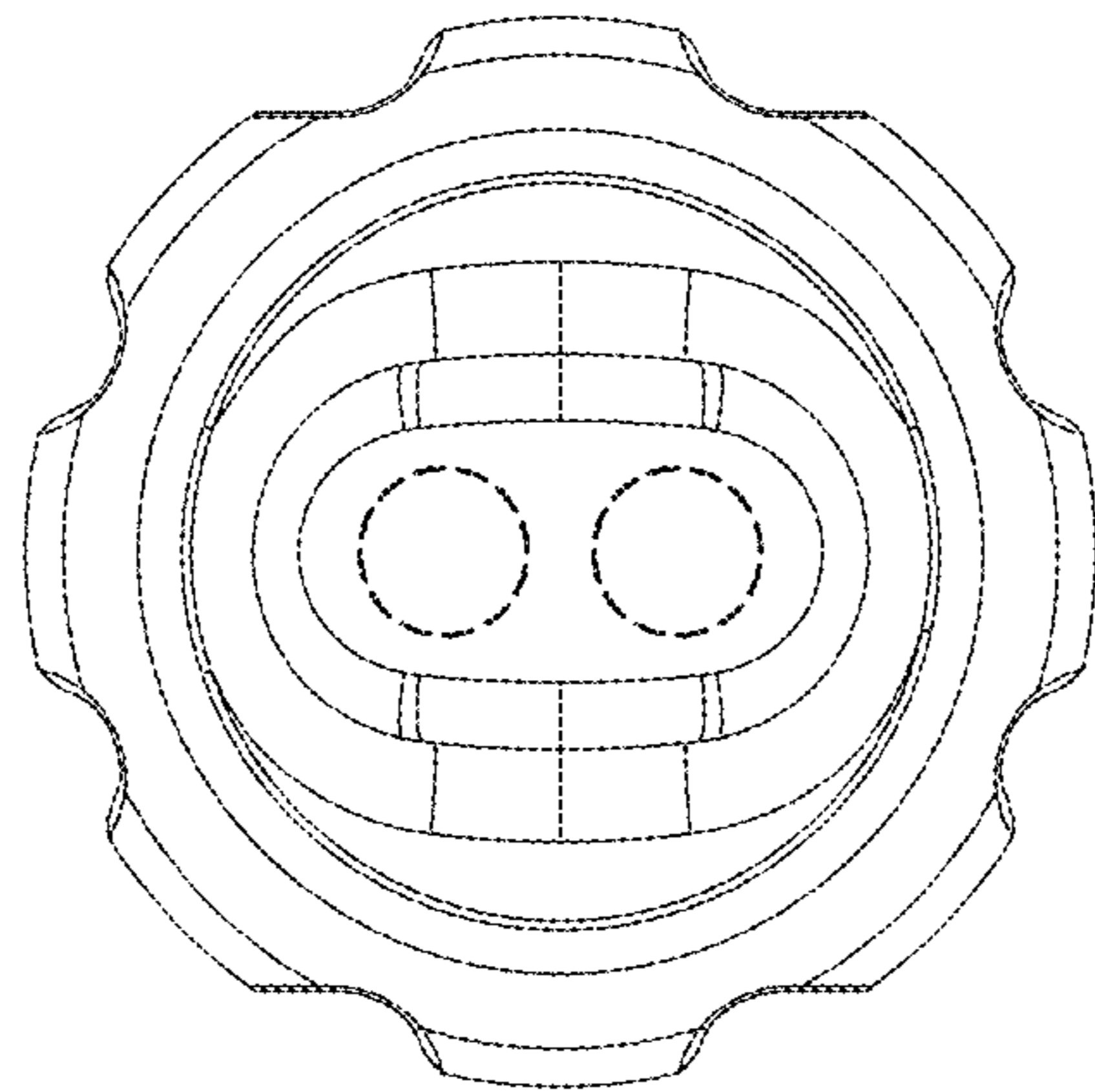


FIG. 3

UNITED STATES PATENT AND TRADEMARK OFFICE
CERTIFICATE OF CORRECTION

PATENT NO. : D816,216 S
APPLICATION NO. : 29/551020
DATED : April 24, 2018
INVENTOR(S) : Laurence Gulliver et al.

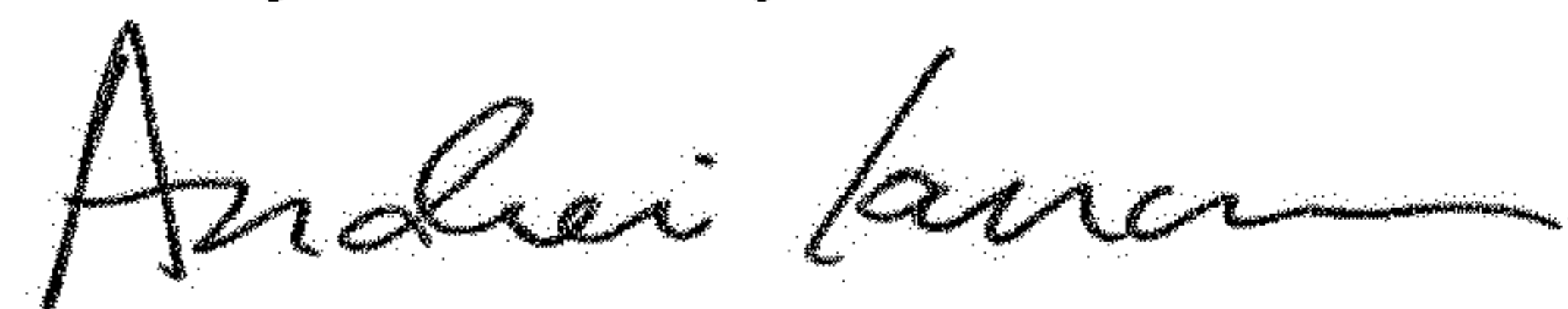
Page 1 of 1

It is certified that error appears in the above-identified patent and that said Letters Patent is hereby corrected as shown below:

On the Title Page

At Page 2, Item (56), Column 2, OTHER PUBLICATIONS, Line 30, change "GB 180068.3," to
--GB 1800268.3,--.

Signed and Sealed this
Twenty-third Day of October, 2018



Andrei Iancu
Director of the United States Patent and Trademark Office