



US00D816215S

(12) **United States Design Patent** (10) **Patent No.:** **US D816,215 S**
Dolgin et al. (45) **Date of Patent:** **** Apr. 24, 2018**

(54) **ACCESS DEVICE**
(71) Applicant: **C.R. BARD, INC.**, Murray Hill, NJ (US)
(72) Inventors: **Michael Dolgin**, Cincinnati, OH (US);
Matthew Winkler, Hamilton, OH (US);
Philip Patrick Resig, Mason, OH (US)
(73) Assignee: **C.R. BARD INC.**, Murray Hill, NJ (US)

6,792,979 B2 9/2004 Konya et al.
7,018,401 B1 3/2006 Hyodoh et al.
7,048,014 B2 5/2006 Hyodoh et al.
7,320,704 B2 1/2008 Lashinski et al.
7,351,247 B2 4/2008 Kupiecki et al.
7,435,257 B2 10/2008 Lashinski et al.
7,445,630 B2 11/2008 Lashinski et al.
7,534,259 B2 5/2009 Lashinski et al.
7,556,645 B2 7/2009 Lashinski et al.
7,608,091 B2 10/2009 Goldfarb et al.
7,658,762 B2 2/2010 Lashinski et al.

(Continued)

(**) Term: **15 Years**

OTHER PUBLICATIONS

(21) Appl. No.: **29/555,612**

U.S. Appl. No. 62/119,713, filed Feb. 23, 2015, Dolgin et al.

(Continued)

(22) Filed: **Feb. 23, 2016**

Primary Examiner — David Muller

(51) **LOC (11) Cl.** **24-02**

(74) *Attorney, Agent, or Firm* — Dorsey & Whitney LLP

(52) **U.S. Cl.**

USPC **D24/127**

(58) **Field of Classification Search**

USPC D24/127–131, 112–114, 133, 186;
606/181, 185; 604/506, 264, 523–528,
604/272, 187, 158, 164.01–164.11, 181,
604/184, 227; 600/101, 139, 143;
128/200.24, 207.14, 207.15

CPC A61M 25/00; A61M 39/00; A61M 27/00;
A61M 25/0043; A61M 25/0067; A61M
25/0097; A61F 2/958

See application file for complete search history.

(57) **CLAIM**

The ornamental design for an access device, as shown and described.

DESCRIPTION

FIG. 1 is a perspective view of an access device in an assembled configuration, according to a first embodiment; FIG. 2 is another perspective view of the access device shown in FIG. 1;

FIG. 3 is a side elevational view of the access device shown in FIG. 1, the other side elevational view being identical; FIG. 4 is a top plan view of the access device shown in FIG. 1, the bottom plan view being identical;

FIG. 5 is a front elevational view of the access device shown in FIG. 1; and,

FIG. 6 is a back elevational view of the access device shown in FIG. 1.

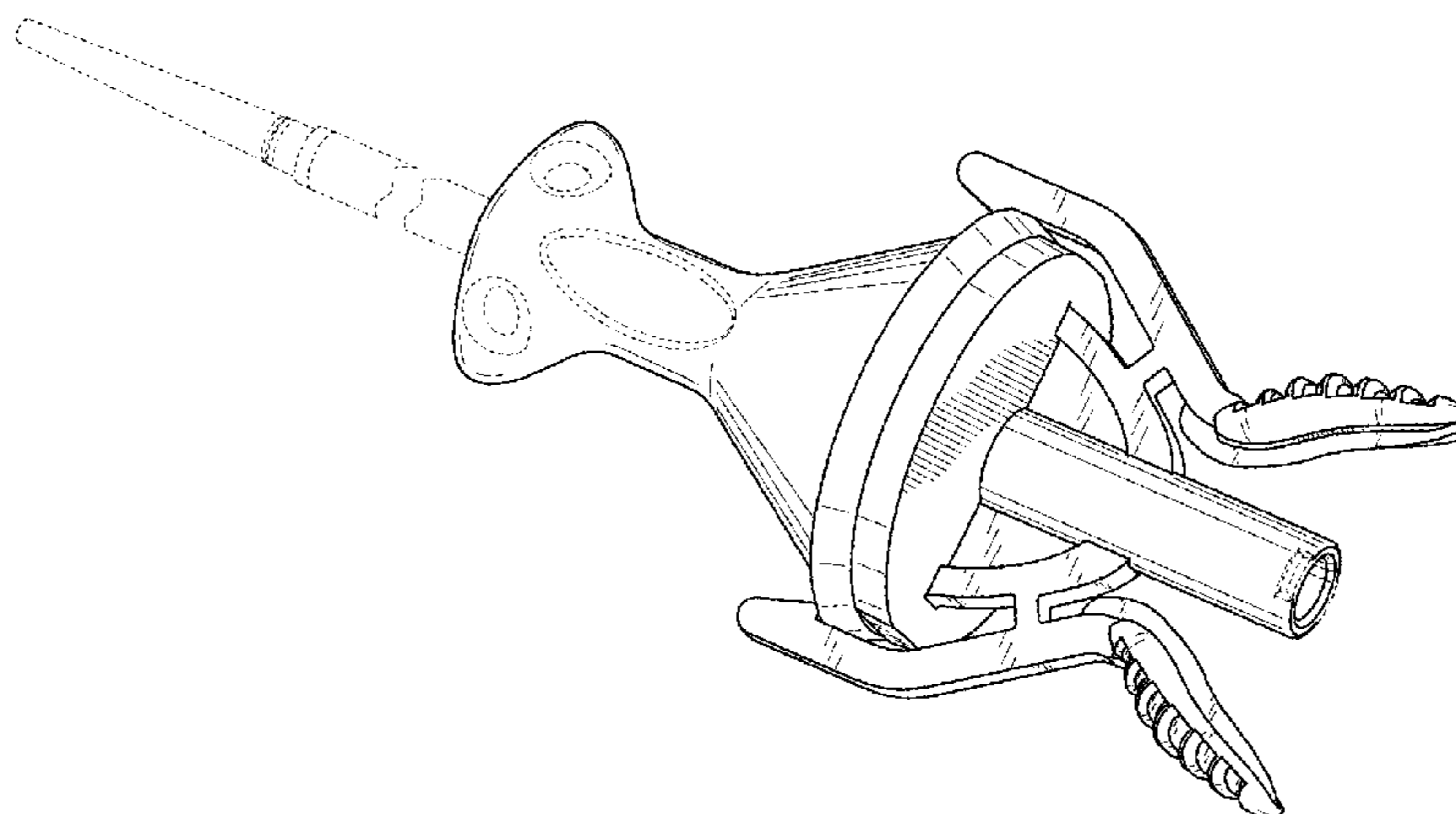
The features shown in broken lines do not form part of the claimed design.

(56) **References Cited**

U.S. PATENT DOCUMENTS

5,380,304 A 1/1995 Parker
5,700,253 A 12/1997 Parker
6,395,012 B1 * 5/2002 Yoon A61B 17/00234
606/193
6,447,489 B1 * 9/2002 Peterson A61B 17/3439
600/204
6,629,534 B1 10/2003 St. Goar et al.
6,702,828 B2 3/2004 Whayne

1 Claim, 3 Drawing Sheets



(56)

References Cited

U.S. PATENT DOCUMENTS

7,666,204 B2 2/2010 Thornton et al.
 7,704,269 B2 4/2010 St. Goar et al.
 7,753,923 B2 7/2010 St. Goar et al.
 7,803,130 B2 9/2010 Ryan et al.
 7,815,661 B2 10/2010 Mirizzi et al.
 7,901,438 B2 3/2011 Culbert et al.
 7,935,144 B2 5/2011 Robin et al.
 7,972,354 B2 7/2011 Prestezog et al.
 7,998,151 B2 8/2011 St. Goar et al.
 7,998,176 B2 8/2011 Culbert
 8,001,974 B2 8/2011 Makower et al.
 8,011,370 B2 9/2011 Karabey et al.
 8,012,201 B2 9/2011 Lashinski et al.
 8,043,368 B2 10/2011 Crabtree
 8,187,299 B2 5/2012 Goldfarb et al.
 8,262,695 B2 9/2012 Karabey et al.
 8,308,796 B2 11/2012 Lashinski et al.
 8,323,334 B2 12/2012 Deem et al.
 8,333,201 B2 12/2012 Karabey et al.
 8,333,786 B2 12/2012 Mirizzi et al.
 D673,677 S * 1/2013 Noda D24/114
 8,343,031 B2 1/2013 Gertner
 8,353,925 B2 1/2013 Makower et al.
 8,377,118 B2 2/2013 Lashinski et al.
 D679,008 S * 3/2013 Schroeder D24/129
 8,398,668 B2 3/2013 Makower et al.
 8,409,273 B2 4/2013 Thornton et al.
 8,414,635 B2 4/2013 Hyodoh et al.
 8,465,491 B2 6/2013 Yedlicka et al.
 8,470,028 B2 6/2013 Thornton et al.

8,574,245 B2 11/2013 Garrison et al.
 8,579,804 B2 11/2013 Desmond, III
 8,628,549 B2 1/2014 To et al.
 D702,343 S * 4/2014 Dale D24/129
 D702,835 S * 4/2014 Vinchon D24/130
 D703,812 S * 4/2014 Cederschiold D24/129
 8,734,505 B2 5/2014 Goldfarb et al.
 D709,753 S * 7/2014 Guala D24/112
 8,795,310 B2 8/2014 Fung et al.
 8,858,490 B2 10/2014 Chou et al.
 8,887,733 B2 11/2014 Appling et al.
 D757,258 S * 5/2016 Weißhaupt D24/127
 D757,935 S * 5/2016 Solingen D24/133
 D760,891 S * 7/2016 Nakamura D24/114
 D764,660 S * 8/2016 Babbs D24/129
 D765,241 S * 8/2016 Holland D24/114
 2004/0098020 A1 5/2004 Nardeo
 2006/0052750 A1 3/2006 Lenker et al.
 2012/0017968 A1 1/2012 Cohen et al.
 2012/0041371 A1 2/2012 Tal et al.
 2012/0123389 A1 5/2012 Shafran
 2013/0226094 A1 8/2013 Ahmed et al.
 2014/0058208 A1 2/2014 Shafran

OTHER PUBLICATIONS

Cook Medical "Maintain protected ureteral access" Flexor Ureteral Access Sheath; www.cookmedical.com (2014) 4 pages.
 International Search Report and Written Opinion from PCT International Application No. PCT/US2016/019149 dated Jul. 12, 2016.

* cited by examiner

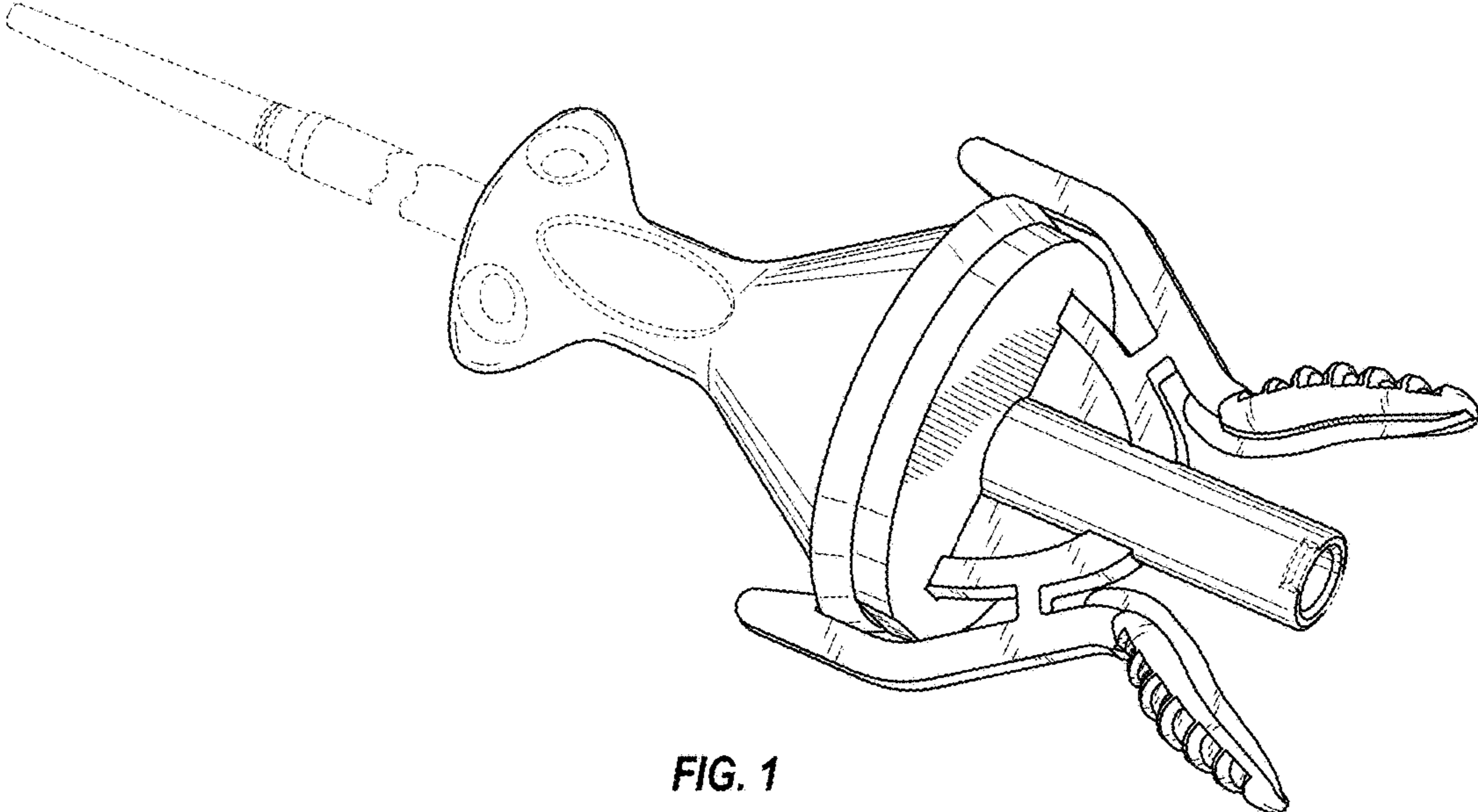


FIG. 1

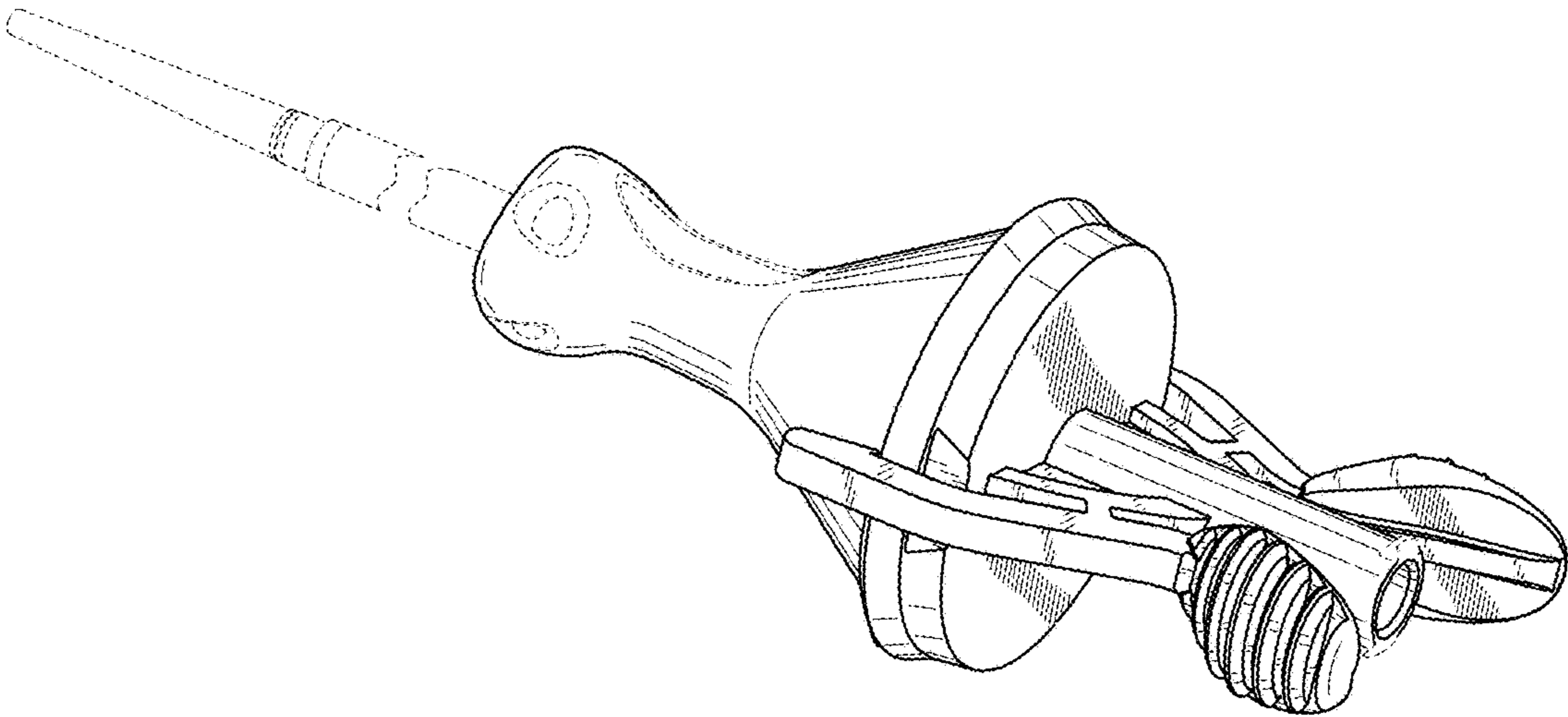


FIG. 2

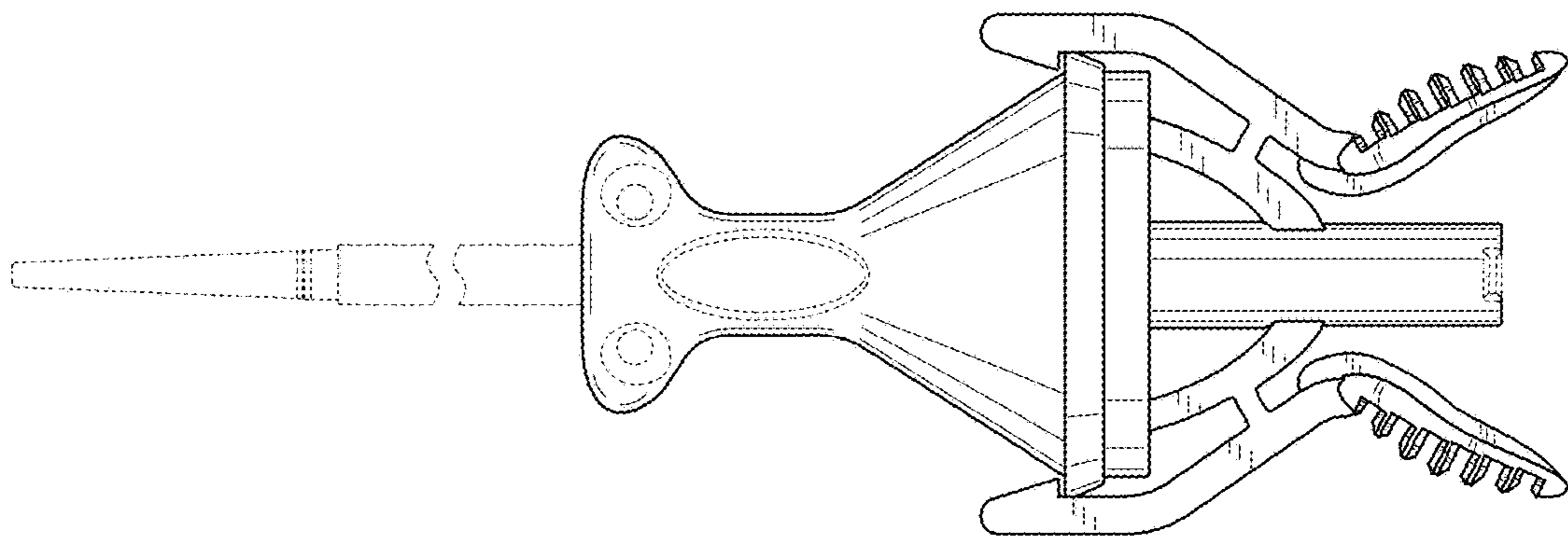


FIG. 3

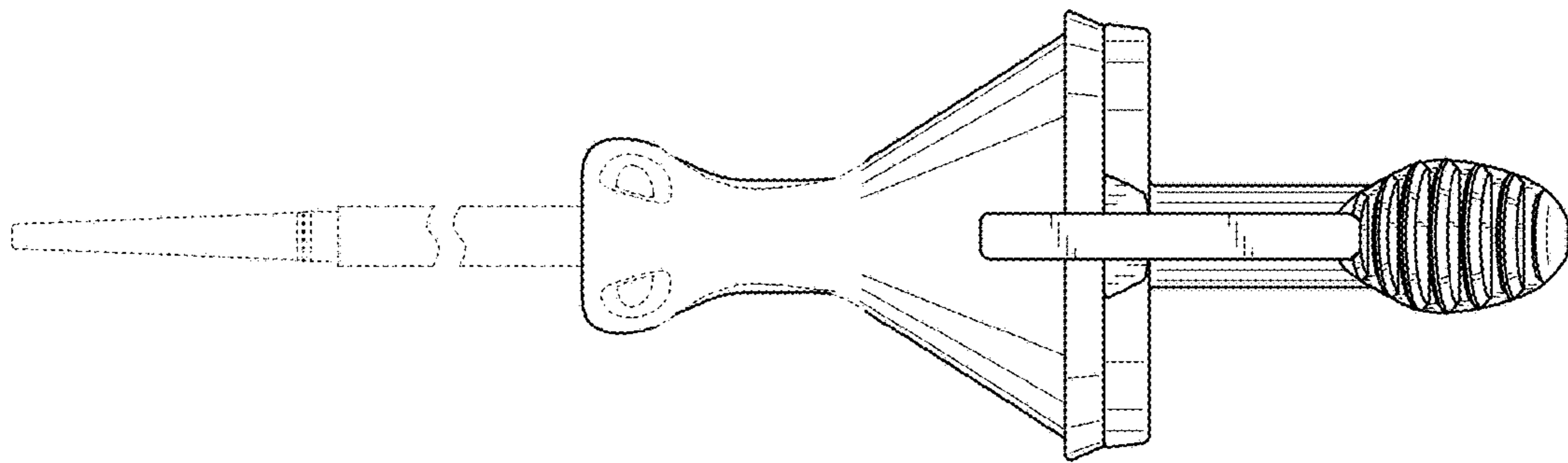


FIG. 4

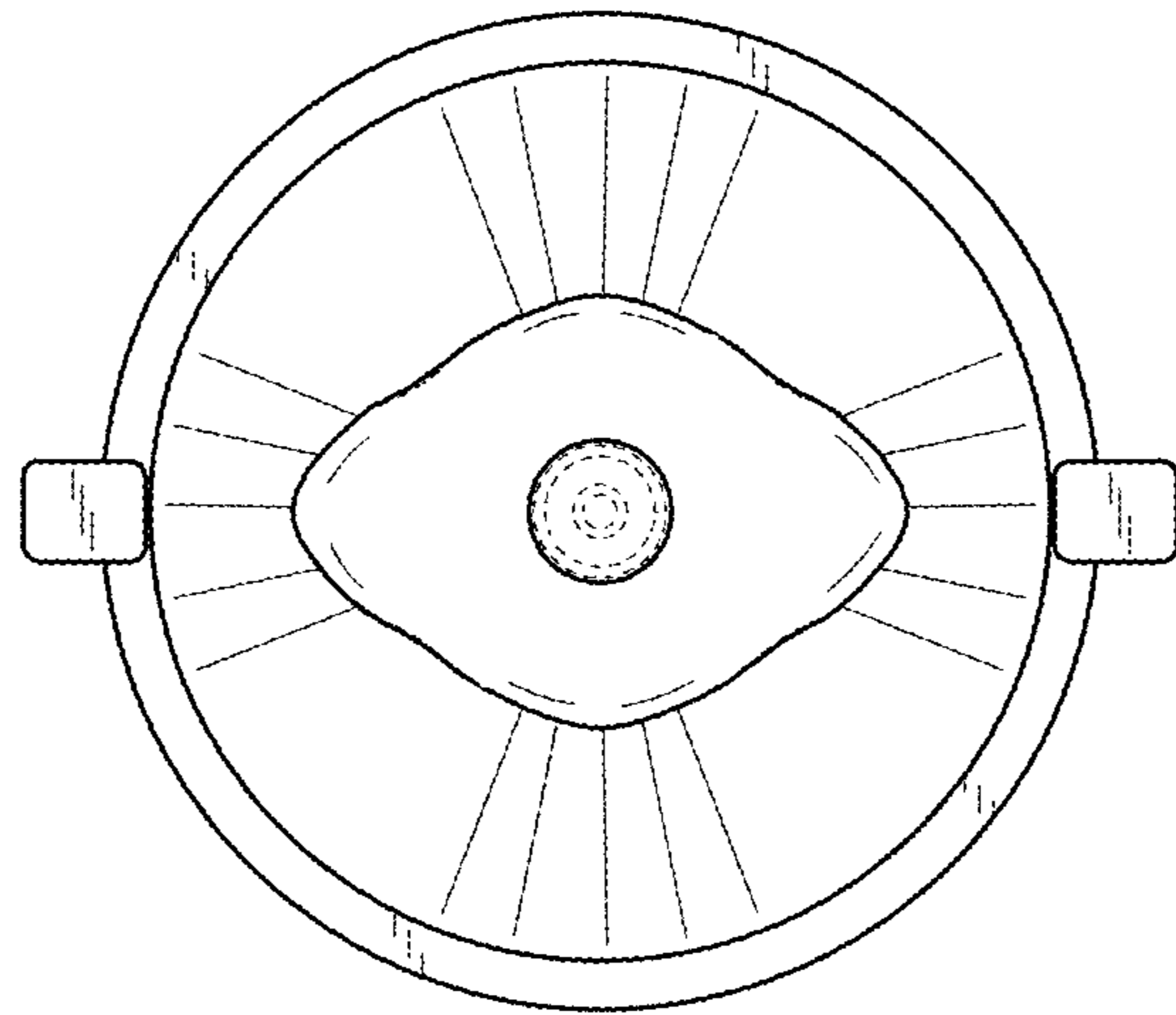


FIG. 5

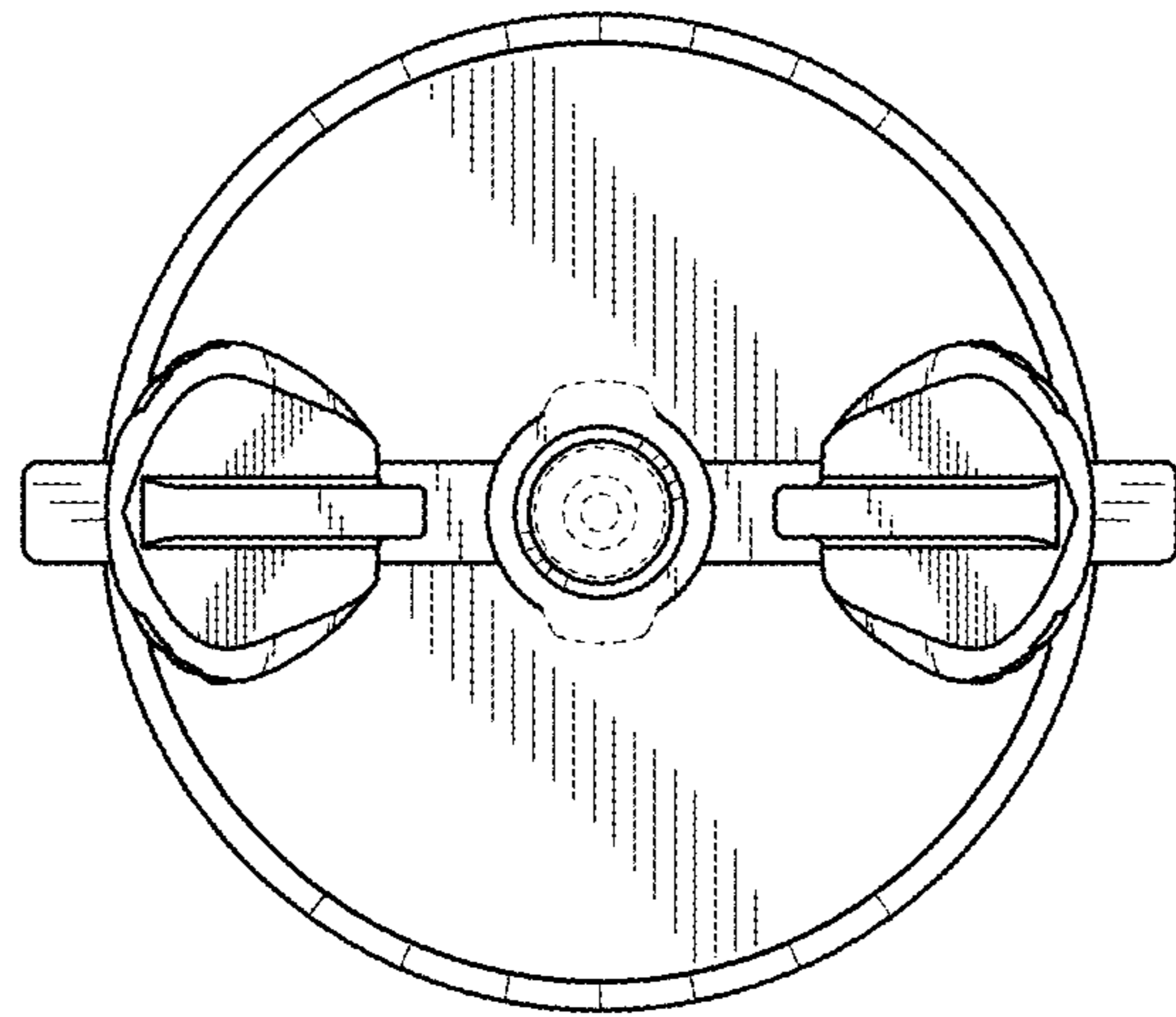


FIG. 6