



US00D816212S

(12) **United States Design Patent**
Daniel et al.

(10) **Patent No.:** **US D816,212 S**
(45) **Date of Patent:** **** Apr. 24, 2018**

(54) **HOUSING FOR A MEDICAL INJECTOR**

(71) Applicant: **SHL GROUP AB**, Nacka Strand (SE)

(72) Inventors: **Mattias Daniel**, Taby (SE); **Katja Wessel**, Stockholm (SE)

(73) Assignee: **SHL GROUP AB**, Nacka Strand (SE)

(**) Term: **15 Years**

(21) Appl. No.: **29/546,583**

(22) Filed: **Nov. 24, 2015**

Related U.S. Application Data

(63) Continuation of application No. 13/650,708, filed on Oct. 12, 2012, now Pat. No. 9,662,452, which is a continuation of application No. 13/636,241, filed on Oct. 12, 2012, now Pat. No. 9,199,038.

(30) **Foreign Application Priority Data**

Mar. 31, 2010 (SE) 1050307

(51) **LOC (11) Cl.** **24-02**

(52) **U.S. Cl.**
USPC **D24/112**

(58) **Field of Classification Search**
USPC D24/112-114, 108, 130, 127, 133, 186;
606/181, 185; 604/264, 523-528, 272,
604/164.01-164.11, 187, 93.01; 600/101,
600/139, 143; 128/200.24, 207.14,
128/207.15

CPC A61M 5/178; A61M 3/00; A61M 5/20;
A61M 5/31; A61M 5/3146; A61M 5/3129
See application file for complete search history.

(56) **References Cited**

U.S. PATENT DOCUMENTS

7,488,297 B2 * 2/2009 Flaherty A61M 5/1407
600/498

D619,244 S * 7/2010 Van der Stappen D24/113

D708,317 S * 7/2014 Schneider D24/113
8,821,451 B2 * 9/2014 Daniel A61M 5/2033
604/137
D714,932 S * 10/2014 Hall D24/112
9,033,932 B2 * 5/2015 Holmqvist A61M 5/2033
604/187
D733,869 S * 7/2015 Ratjen D24/113
D757,255 S * 5/2016 Wohlfahrt D24/113

(Continued)

Primary Examiner — David Muller

(74) *Attorney, Agent, or Firm* — McDonnell Boehnen
Hulbert & Berghoff LLP

(57) **CLAIM**

The ornamental housing for a medical injector, as shown and described.

DESCRIPTION

FIG. 1 shows a perspective view of the housing for a medical injector viewed from the front and left of and above the medical injector with a cap portion of the housing removed from a proximal portion of the housing;

FIG. 2 shows a front end view of the housing for a medical injector;

FIG. 3 shows a rear end view of the housing for a medical injector

FIG. 4 shows a left side view of the housing for a medical injector;

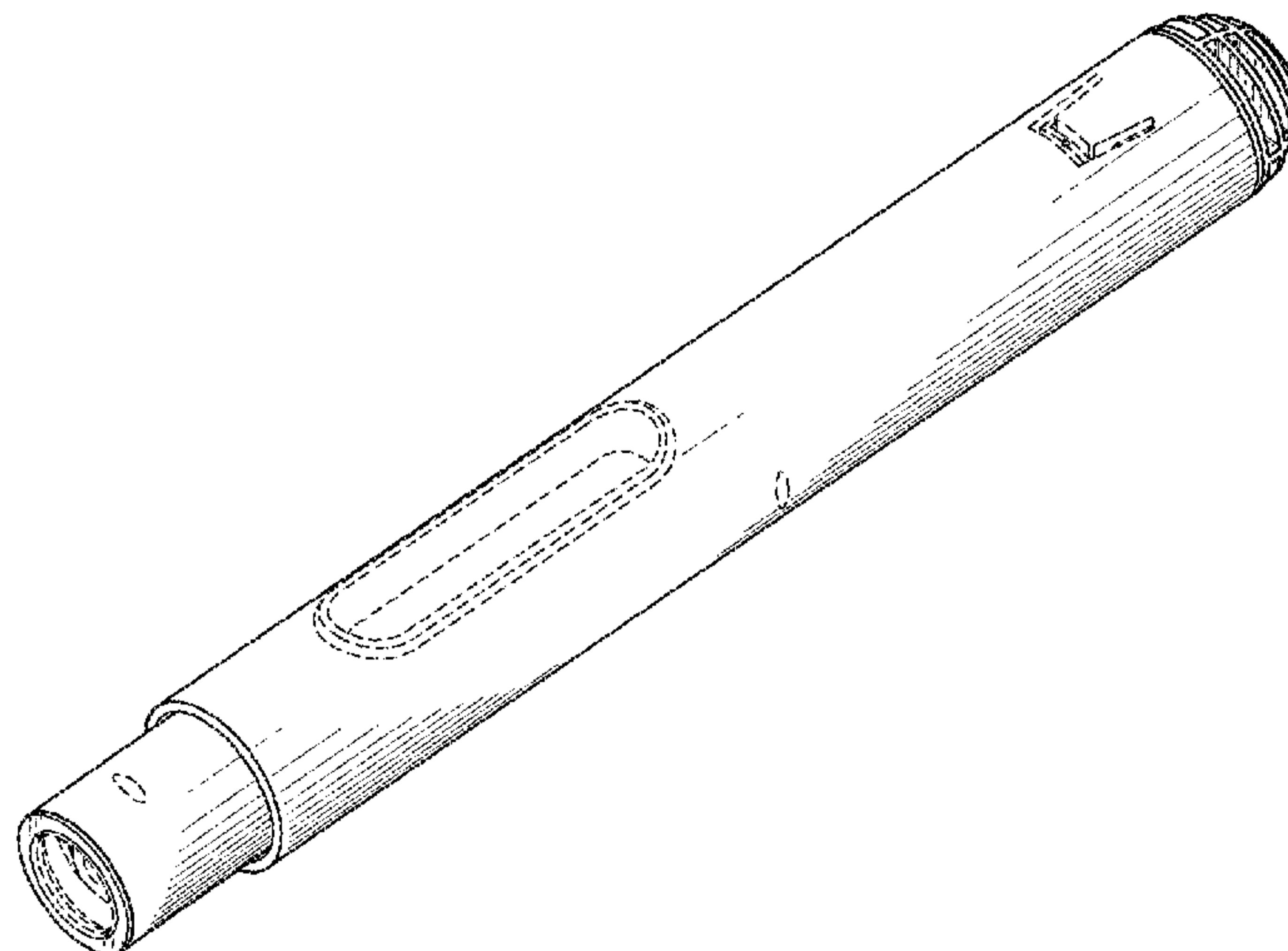
FIG. 5 shows a right side view of the housing for a medical injector;

FIG. 6 shows a bottom view of the housing for a medical injector; and,

FIG. 7 shows a top view of the housing for a medical injector.

The broken line showing is for the purpose of illustrating portions of the article and forms no part of the claimed design. The broken line which defines the bounds of the claimed invention forms no part of the claimed design.

1 Claim, 3 Drawing Sheets



(56)

References Cited

U.S. PATENT DOCUMENTS

D758,567 S *	6/2016	Wohlfahrt	D24/113
D758,569 S *	6/2016	Wohlfahrt	D24/113
D758,570 S *	6/2016	Wohlfahrt	D24/113
D758,571 S *	6/2016	Geert-Jensen	D24/113
D767,119 S *	9/2016	Hauck	D24/113

* cited by examiner

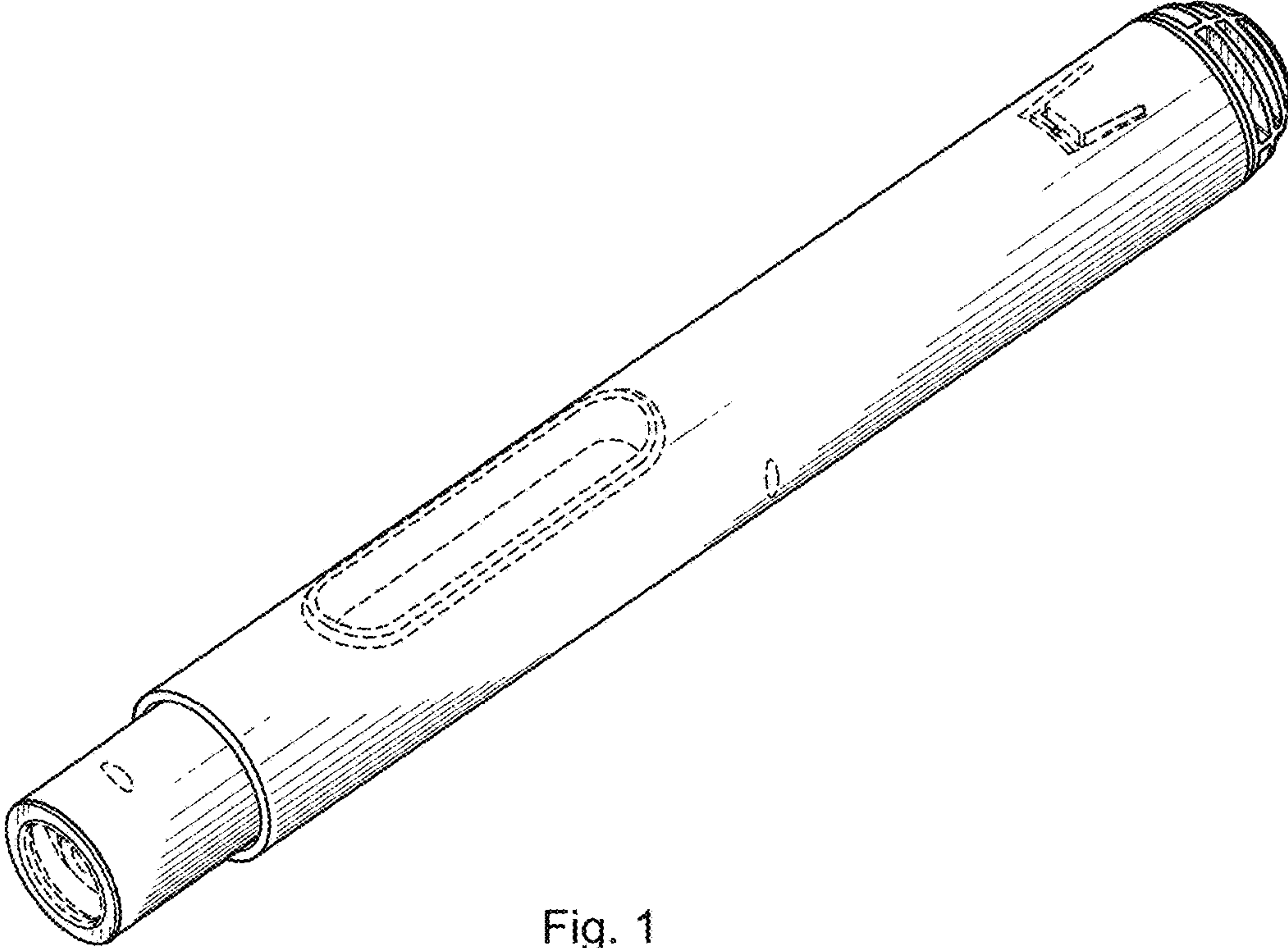


Fig. 1

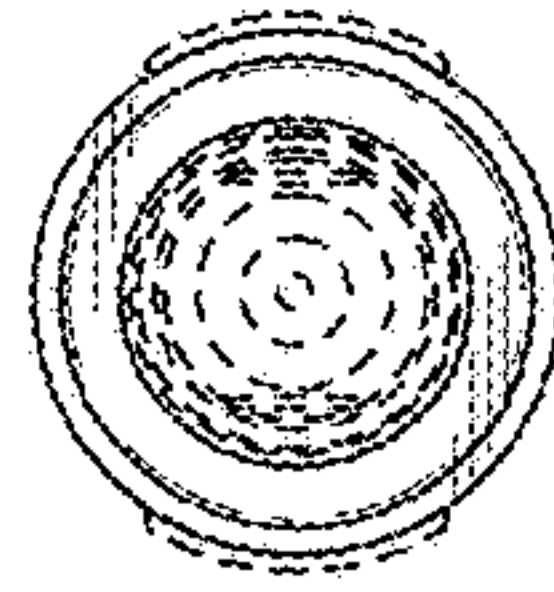


Fig. 2

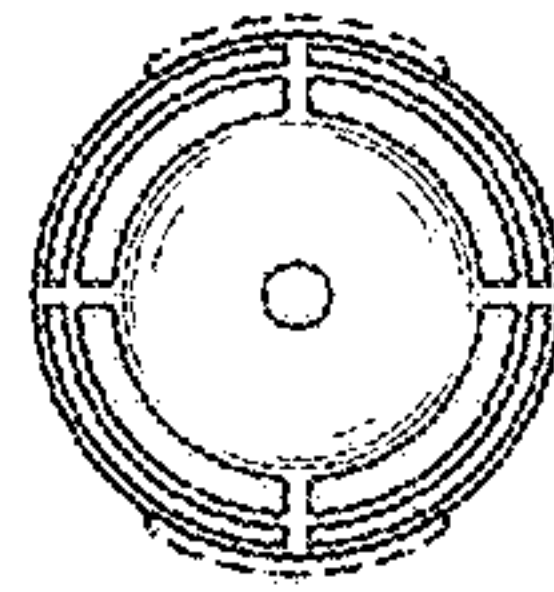


Fig. 3

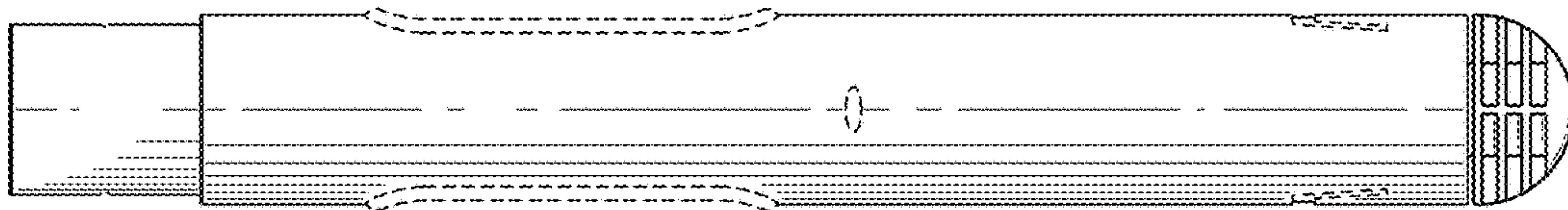


Fig. 4

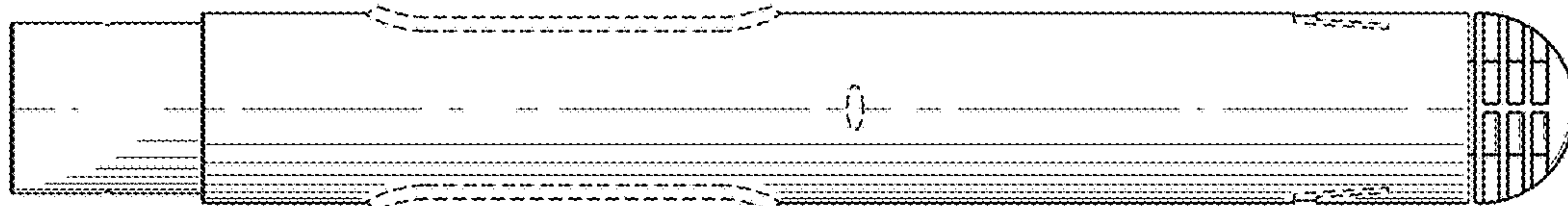


Fig. 5

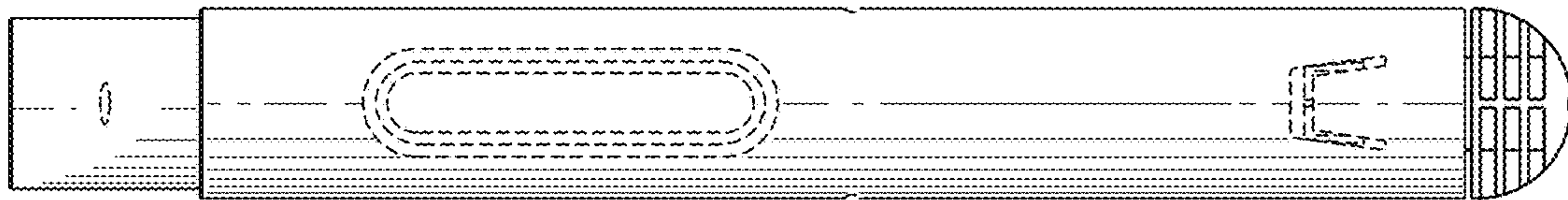


Fig. 6



Fig. 7