



US00D816211S

(12) **United States Design Patent**
Guala

(10) **Patent No.:** **US D816,211 S**

(45) **Date of Patent:** **** Apr. 24, 2018**

(54) **VALVED CONNECTOR FOR MEDICAL LINES**

(71) Applicant: **INDUSTRIE BORLA S.P.A.**,
Moncalieri (Turin) (IT)

(72) Inventor: **Gianni Guala**, Turin (IT)

(73) Assignee: **INDUSTRIE BORLA S.P.A.**,
Moncalieri (Turin) (IT)

(**) Term: **15 Years**

(21) Appl. No.: **29/553,955**

(22) Filed: **Feb. 5, 2016**

(30) **Foreign Application Priority Data**

Aug. 5, 2015 (EM) 002749838-0002

(51) **LOC (11) Cl.** **29-02**

(52) **U.S. Cl.**
USPC **D24/110.6; D24/129**

(58) **Field of Classification Search**
USPC D24/110.6, 127; D23/262
CPC A61M 2039/1033; A61M 39/10; A61M
39/105; A61M 39/223; A61M 39/225;
A61M 39/26

See application file for complete search history.

(56) **References Cited**

U.S. PATENT DOCUMENTS

5,749,861 A * 5/1998 Guala A61M 39/26
251/149.1
D468,016 S * 12/2002 Mosler D24/129
D473,646 S * 4/2003 Baillargeon D24/129
D484,241 S * 12/2003 Peters D24/108
8,206,375 B2 * 6/2012 Snow A61M 39/06
604/246
9,144,672 B2 * 9/2015 Mansour A61M 39/26
9,707,386 B2 * 7/2017 Snow A61M 39/06

2003/0098430 A1 * 5/2003 Leinsing A61M 39/26
251/149.6
2003/0199835 A1 * 10/2003 Leinsing A61M 39/26
604/256
2003/0209681 A1 * 11/2003 Leinsing A61M 39/045
251/149.1
2007/0043334 A1 * 2/2007 Guala A61M 39/10
604/533
2007/0088327 A1 * 4/2007 Guala A61M 39/10
604/533
2007/0218757 A1 * 9/2007 Guala A61M 39/045
439/589
2008/0190485 A1 * 8/2008 Guala A61M 39/045
137/1
2013/0187381 A1 * 7/2013 Guala A61M 39/10
285/387

(Continued)

Primary Examiner — Karen E Kearney

Assistant Examiner — Lilyana Bekic

(74) *Attorney, Agent, or Firm* — Heslin Rothenberg
Farley & Mesiti P.C.; Victor A. Cardona, Esq.

(57) **CLAIM**

I claim the ornamental design for a valved connector for medical lines, as shown and described.

DESCRIPTION

This application is also related to co-owned U.S. Design application Ser. No. 29/553,952, filed Feb. 5, 2016, entitled valved connector for medical lines.

FIG. 1 is a bottom perspective view of a valved connector for medical lines showing the new design;

FIG. 2 is a top perspective view thereof;

FIG. 3 is a bottom plan view thereof;

FIG. 4 is a top plan view thereof;

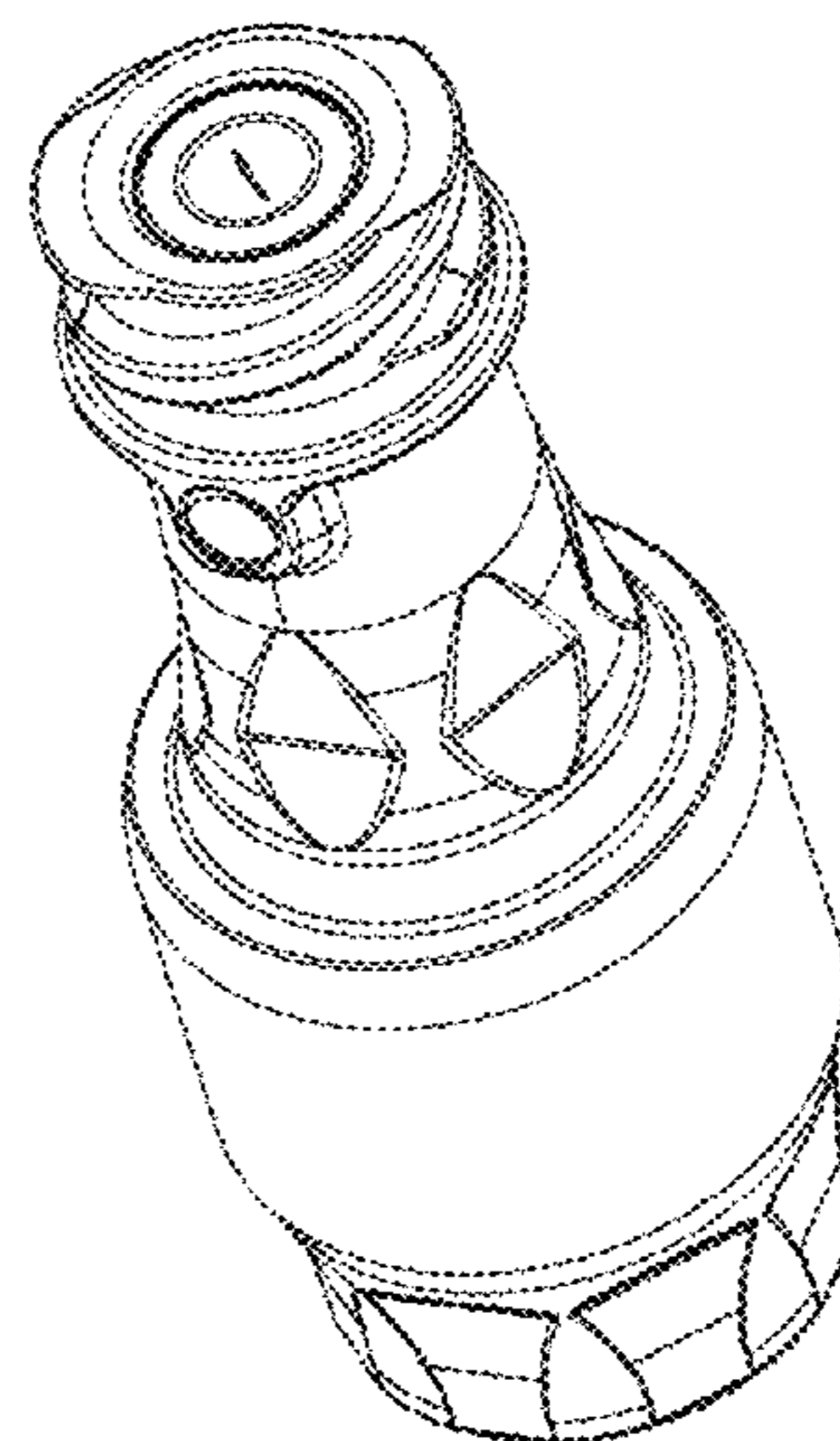
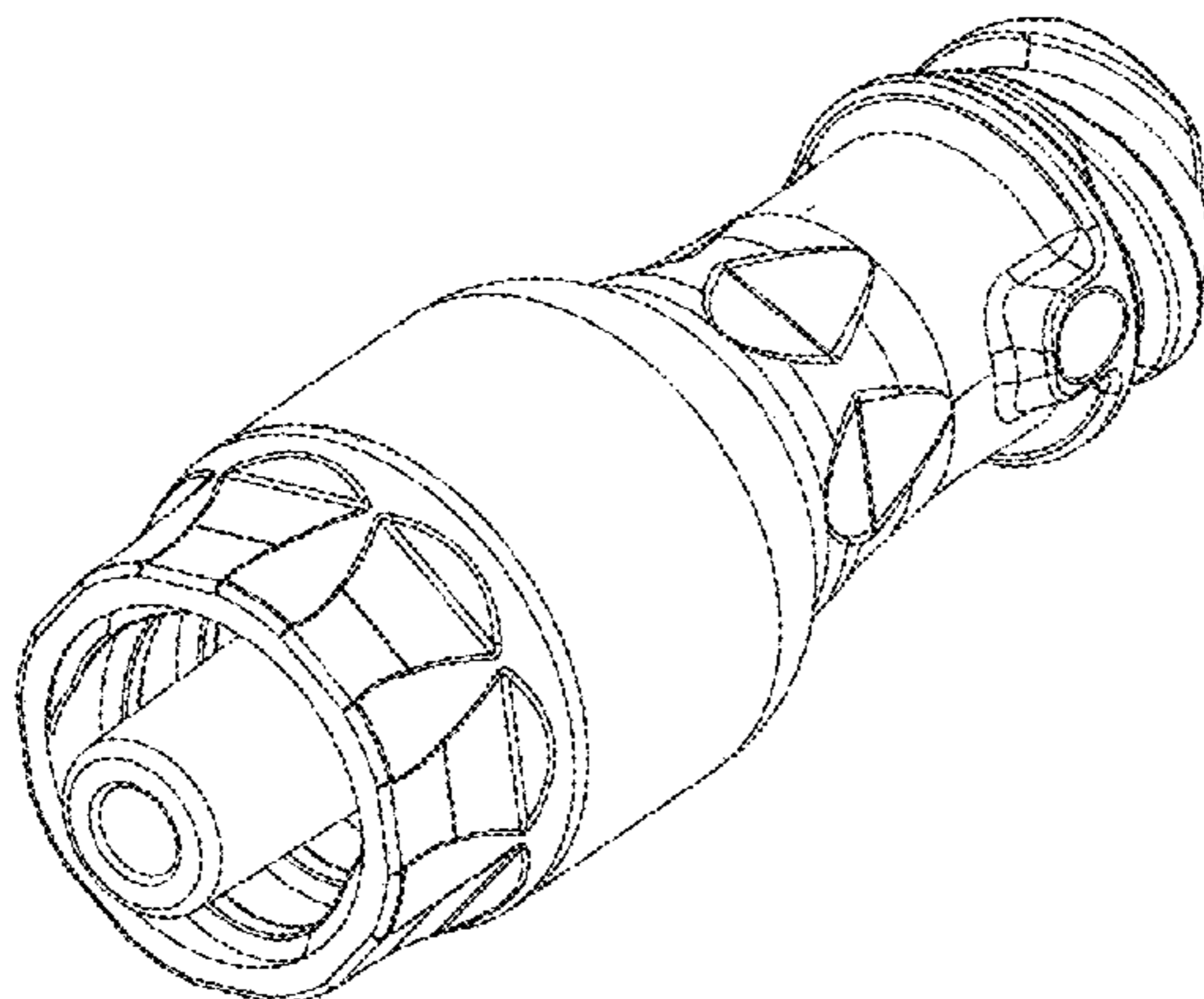
FIG. 5 is a front view thereof;

FIG. 6 is a left side view thereof;

FIG. 7 is a rear view thereof; and,

FIG. 8 is a right side view thereof.

1 Claim, 8 Drawing Sheets



(56)

References Cited

U.S. PATENT DOCUMENTS

2015/0157799 A1* 6/2015 Chen A61M 39/26
604/68
2016/0101020 A1* 4/2016 Guala A61J 1/201
604/414
2016/0228687 A1* 8/2016 Chih A61M 39/22
2017/0000998 A1* 1/2017 Guala A61M 39/10
2017/0079880 A1* 3/2017 Guala A61J 1/1406

* cited by examiner

FIG. 1

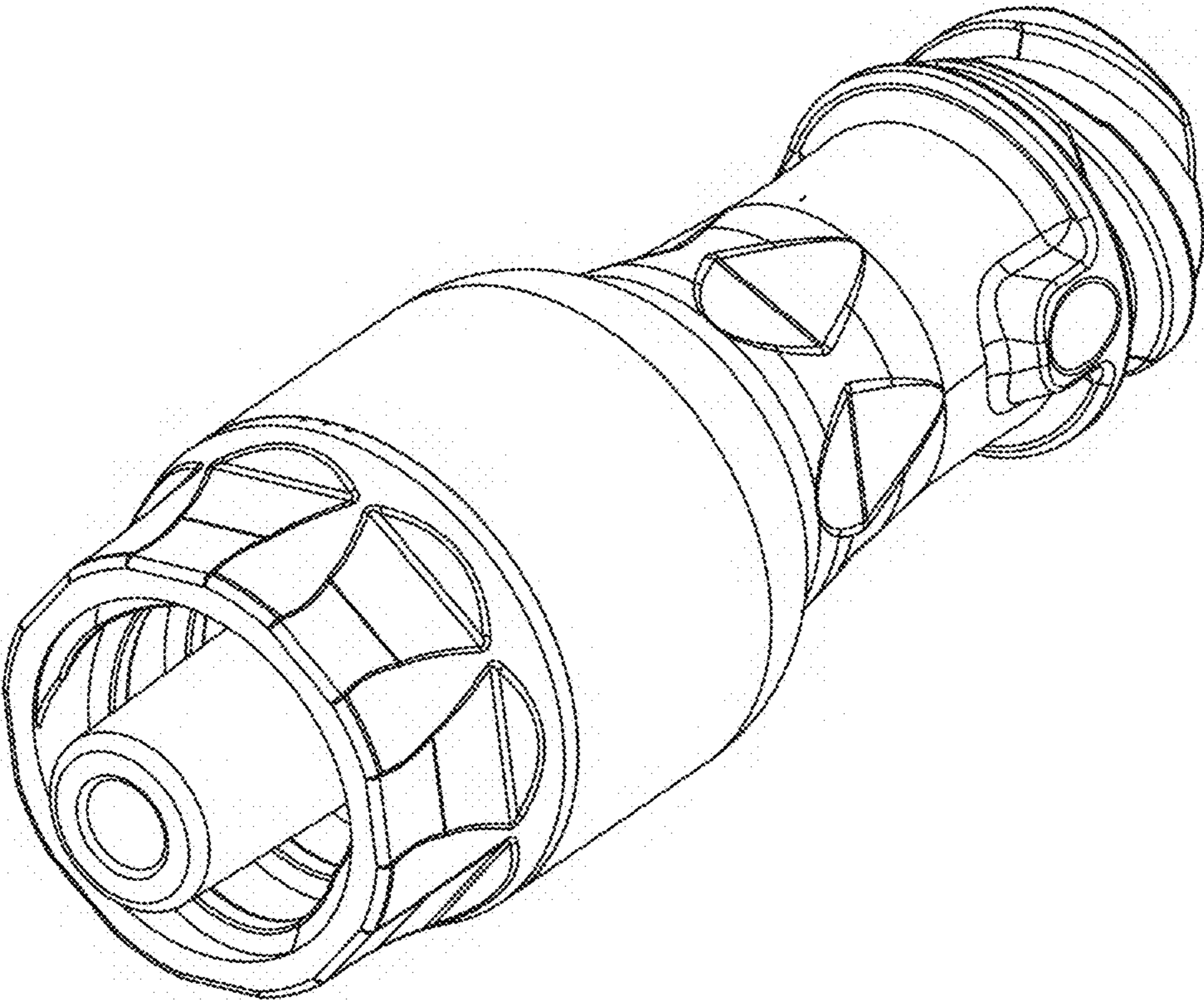


FIG. 2

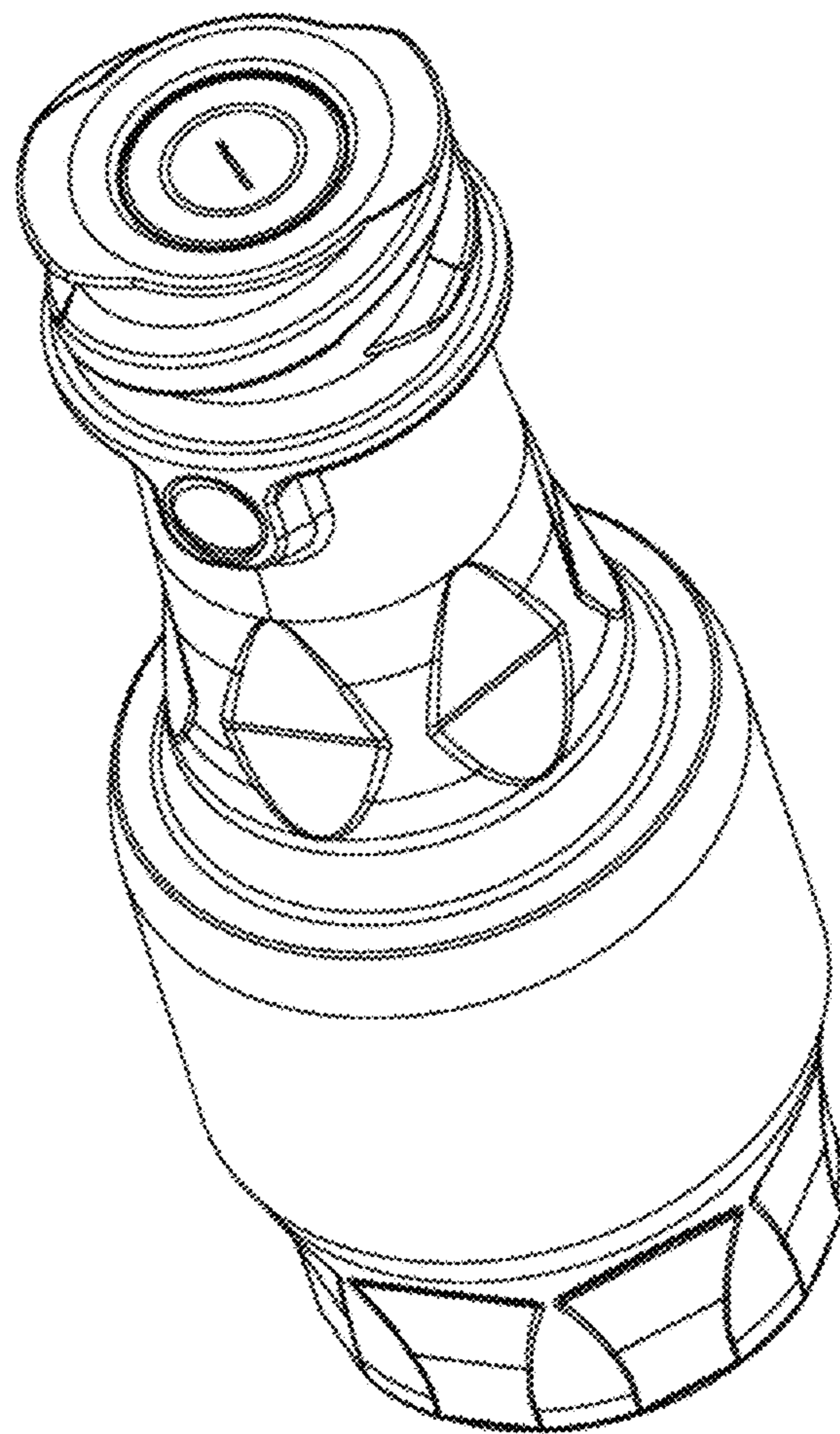


FIG. 3

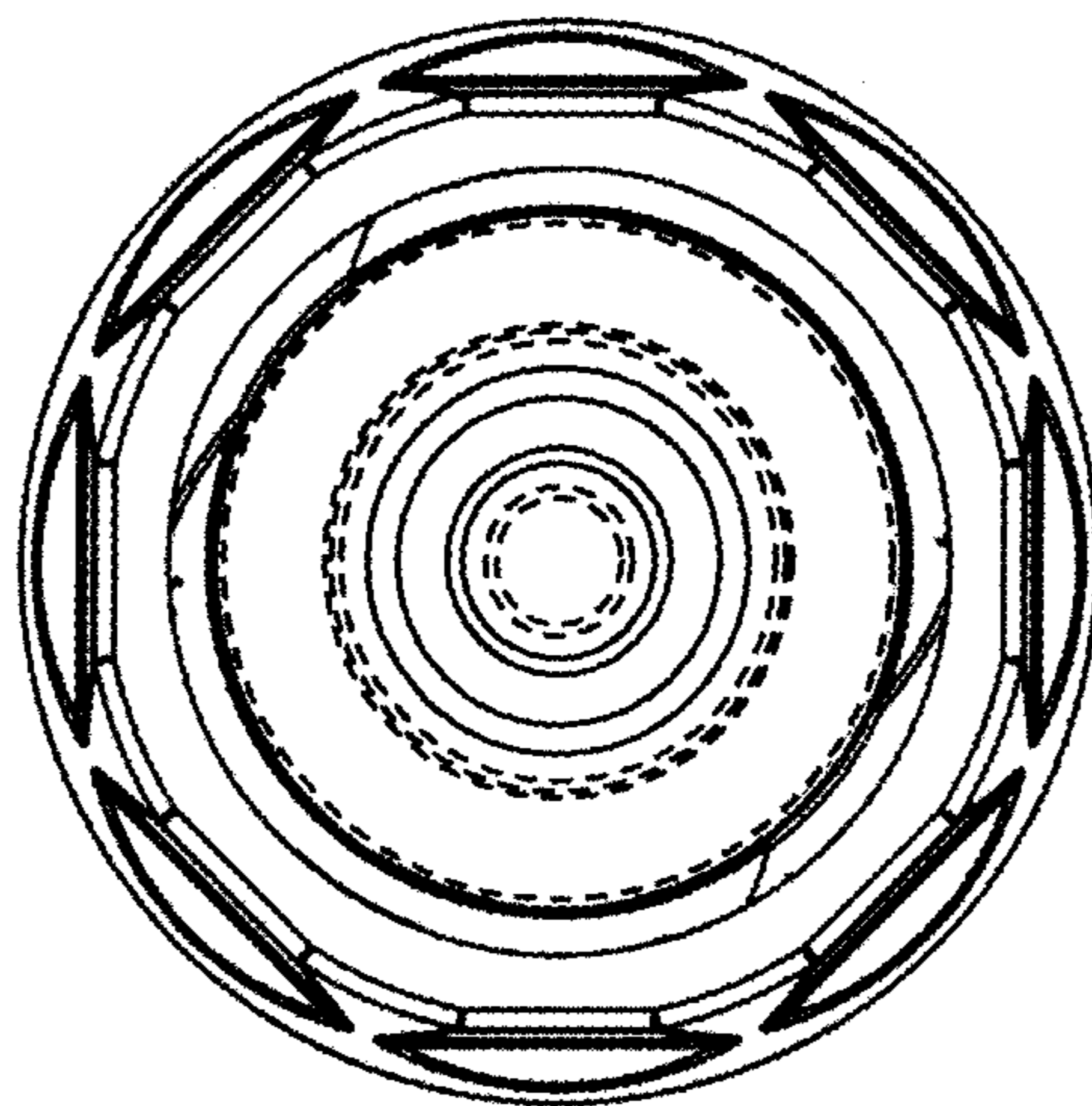


FIG. 4

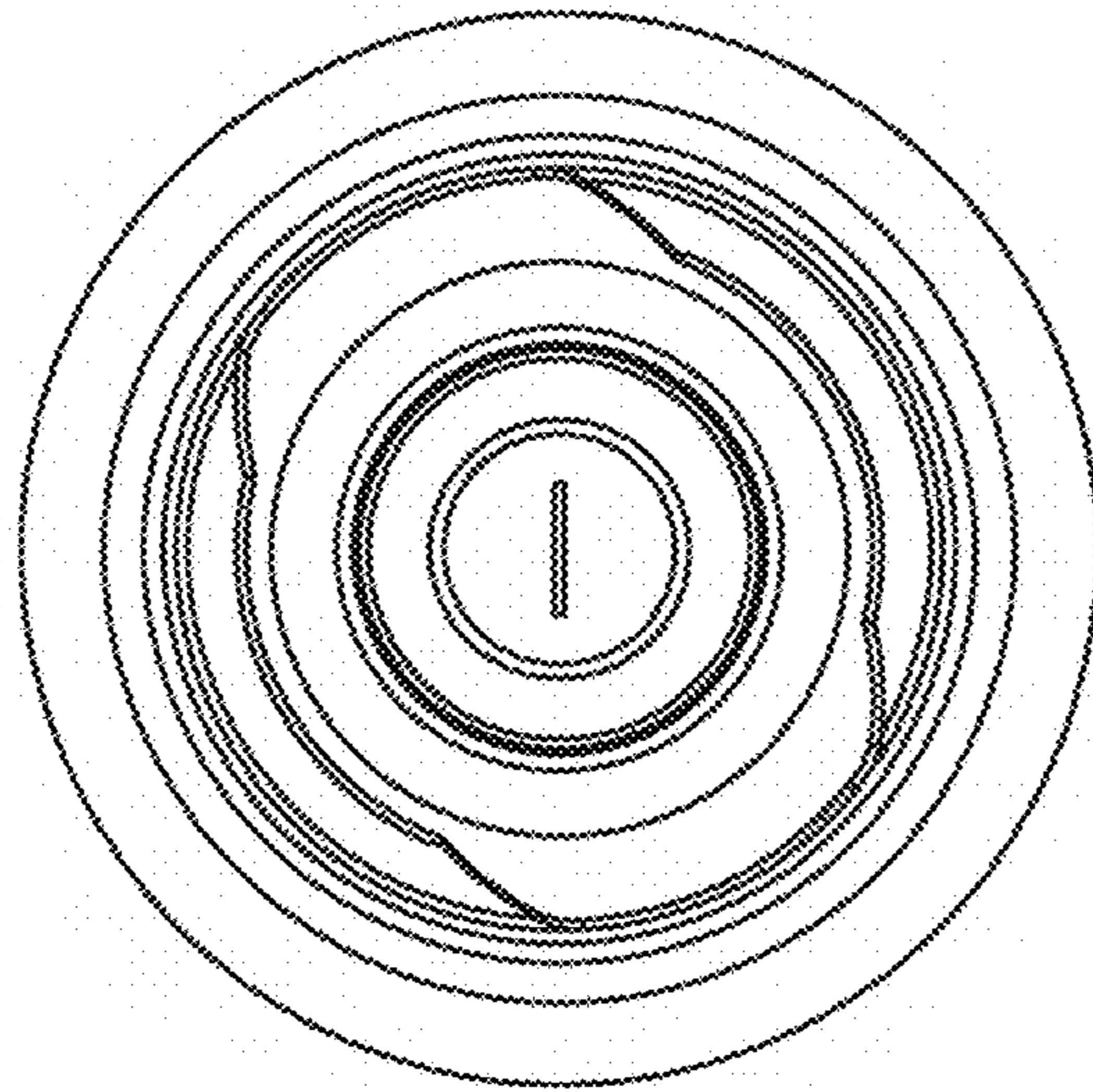


FIG. 5

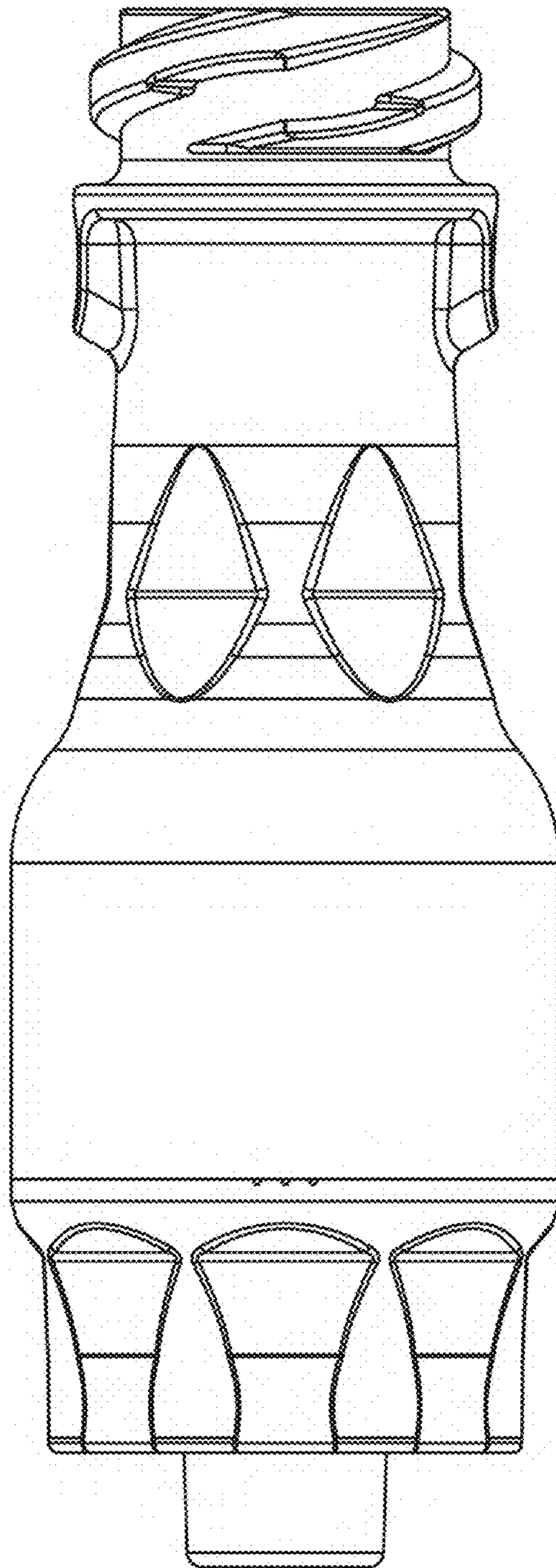


FIG. 6

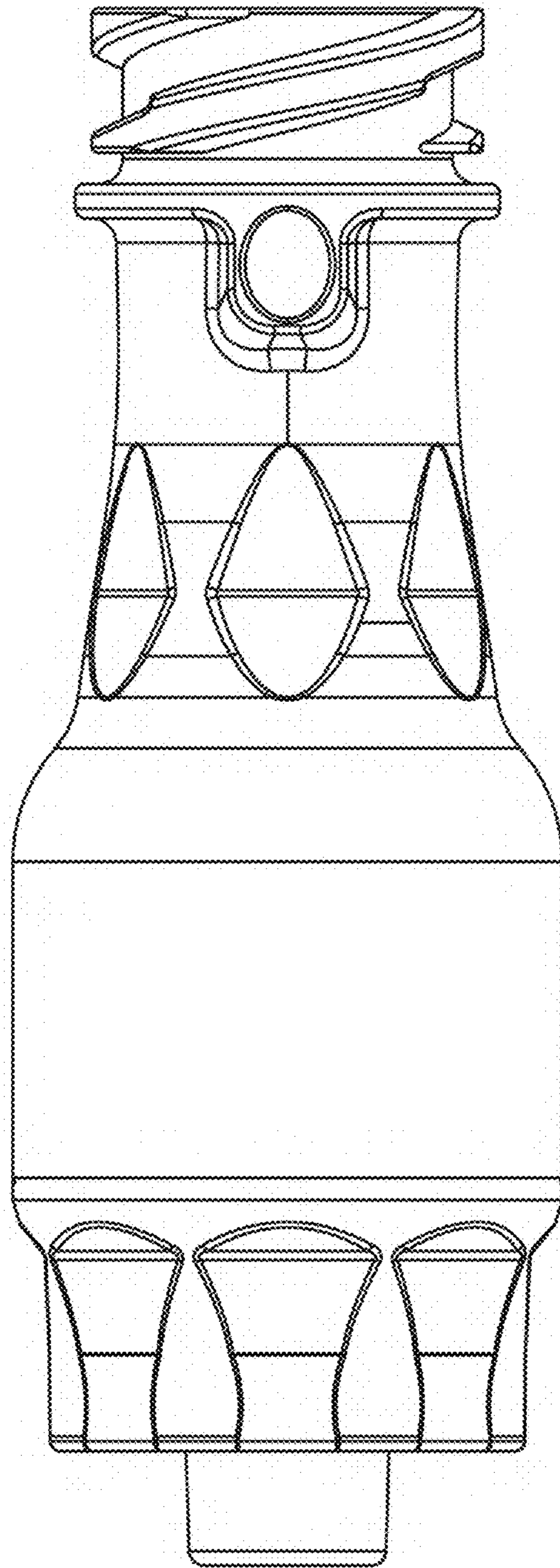


FIG. 7

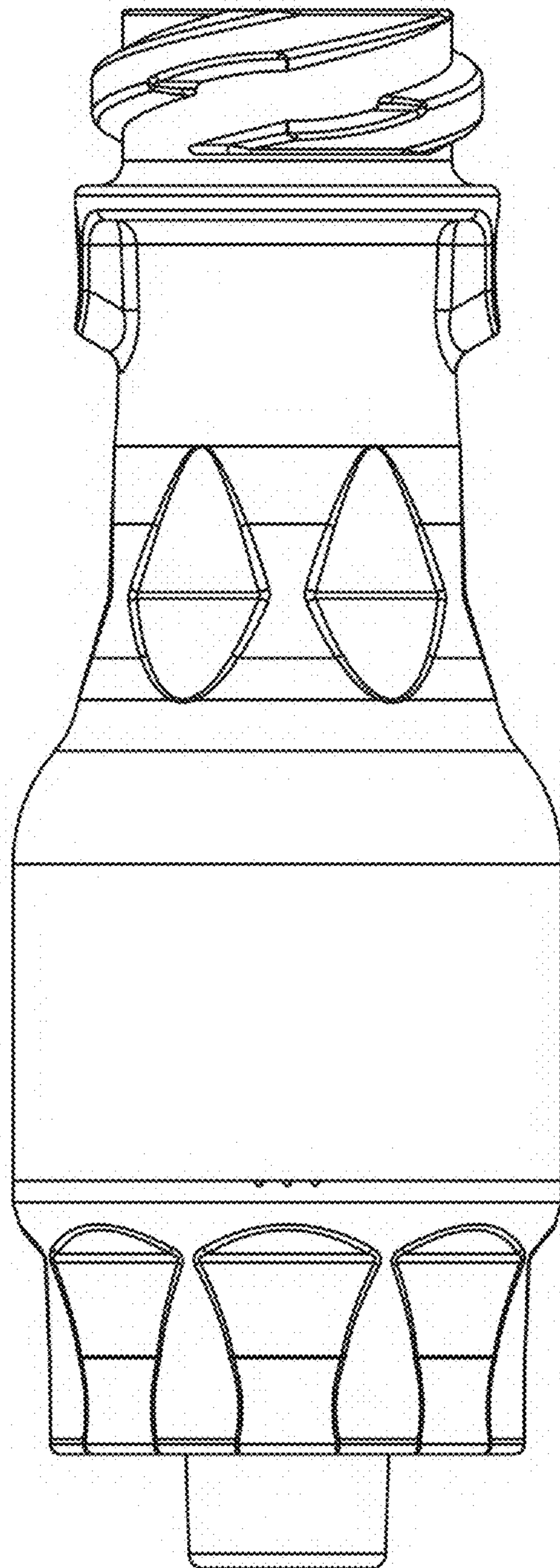


FIG. 8

