



US00D816210S

(12) **United States Design Patent**
Gerschman et al.

(10) **Patent No.:** **US D816,210 S**
(45) **Date of Patent:** **** Apr. 24, 2018**

(54) **DEVICE FOR TREATING SLEEP APNEA**

(71) Applicant: **Sleep Innovations Pty Ltd**, Melbourne, Victoria (AU)

(72) Inventors: **Jack Allen Gerschman**, Melbourne (AU); **Joel Gerschman**, Melbourne (AU)

(73) Assignee: **Sleep Innovations Pty Ltd**, Melbourne, Victoria (AU)

(**) Term: **15 Years**

(21) Appl. No.: **29/529,338**

(22) Filed: **Jun. 5, 2015**

(30) **Foreign Application Priority Data**

Dec. 5, 2014 (AU) 201416341

(51) **LOC (11) Cl.** **29-02**

(52) **U.S. Cl.**
USPC **D24/110.5**

(58) **Field of Classification Search**
USPC D24/110, 110.1, 110.4, 110.5, 127, 164, D24/180, 181; D29/108
CPC A63B 71/085; A63B 2071/088; A63B 2071/086; A61M 16/0493; A61M 16/0497; A61M 16/0488; A61M 16/049; A61M 16/0495; A61C 7/36; A61B 1/24; A61F 5/566; A61F 5/56

See application file for complete search history.

(56) **References Cited**

U.S. PATENT DOCUMENTS

2,857,911 A * 10/1958 Bennett A61B 5/097
128/206.24
D538,926 S * 3/2007 Jeong D24/110

D615,187 S * 5/2010 Bowden D24/110
D629,909 S * 12/2010 Chiu D24/181
D734,556 S * 7/2015 Brett D24/181
D760,889 S * 7/2016 Evans D24/110.5
D767,146 S * 9/2016 Farrell D24/181
9,630,082 B2 * 4/2017 Zents A63B 71/085
D807,583 S * 1/2018 Evans D29/108
2003/0150450 A1 * 8/2003 Fitton A61M 16/0488
128/200.24
2013/0104913 A1 * 5/2013 Evans A63B 71/085
128/861
2013/0133648 A1 * 5/2013 Beach B63C 11/186
128/202.27
2013/0333704 A1 * 12/2013 Duncan A62B 25/00
128/205.22
2014/0345626 A1 * 11/2014 Brett A63B 71/085
128/861
2015/0209645 A1 * 7/2015 Zents A63B 71/085
128/861
2016/0250544 A1 * 9/2016 Evans A63B 71/085
128/861
2016/0339324 A9 * 11/2016 Zents A63B 71/085
2016/0361192 A1 * 12/2016 Gerschman A61F 5/566
2017/0209300 A1 * 7/2017 Radmand A61F 5/566

(Continued)

Primary Examiner — Barbara Fox

Assistant Examiner — Lilyana Bekic

(74) *Attorney, Agent, or Firm* — Quarles & Brady LLP

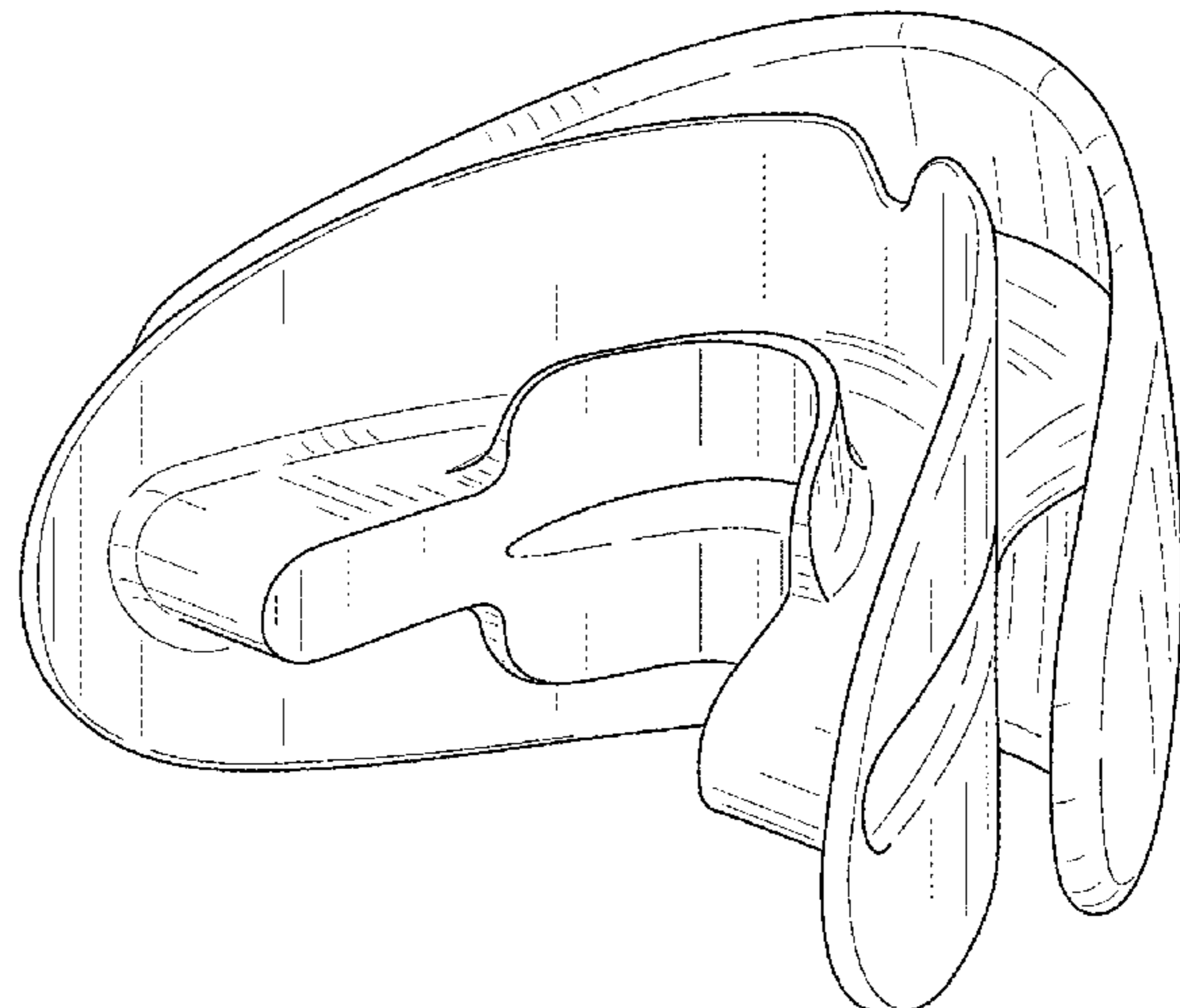
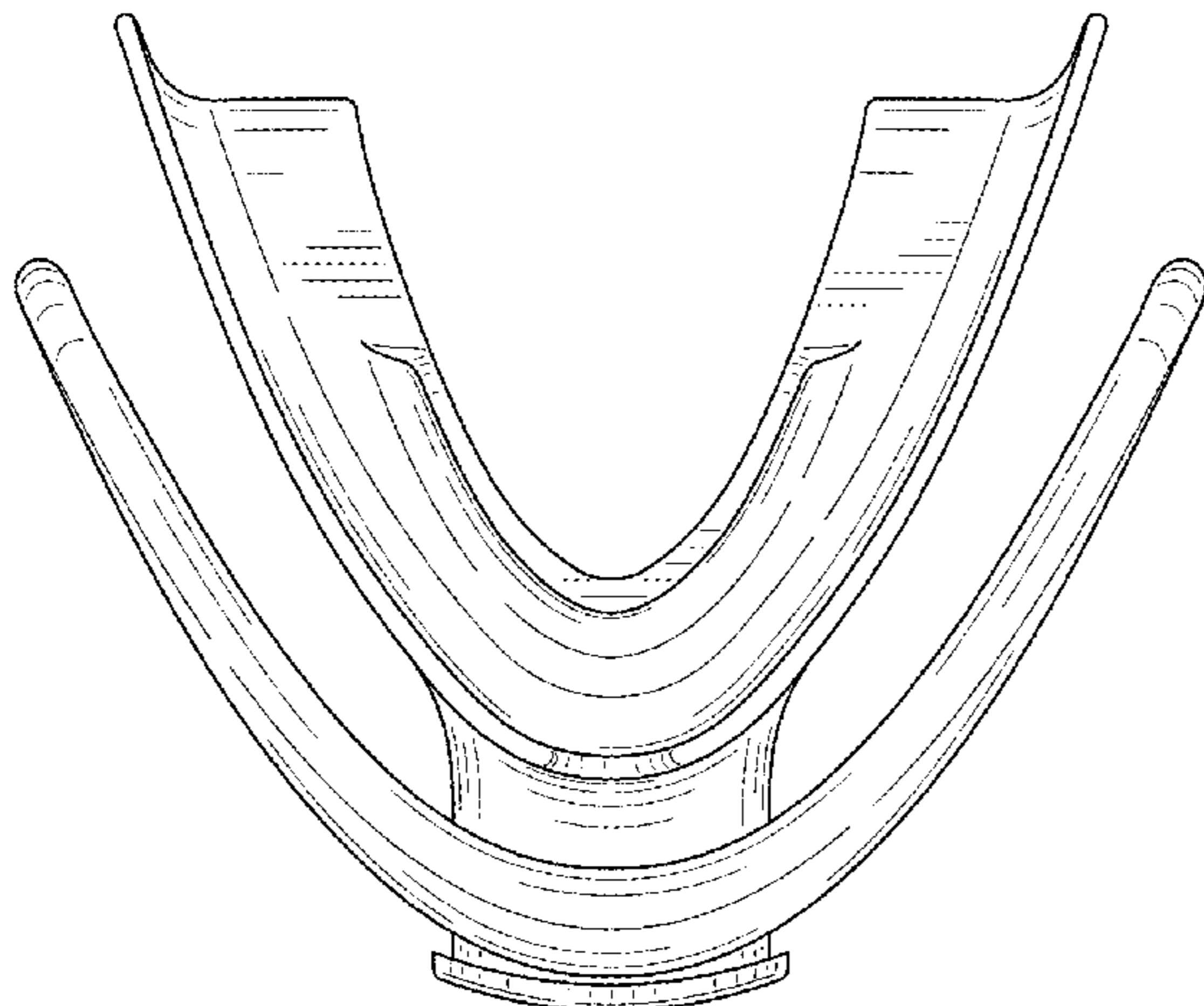
(57) **CLAIM**

The ornamental design for a device for treating sleep apnea, as shown and described.

DESCRIPTION

FIG. 1 is a top plan view of a device for treating sleep apnea; FIG. 2 is a left elevation view of the device of FIG. 1; FIG. 3 is a right elevation view of the device of FIG. 1; FIG. 4 is a bottom plan view of the device of FIG. 1; and, FIG. 5 is an isometric view of rear, left, and top sides of the device of FIG. 1.

1 Claim, 3 Drawing Sheets



(56)

References Cited

U.S. PATENT DOCUMENTS

2017/0296901 A1* 10/2017 Evans A63B 71/085
2017/0312118 A1* 11/2017 De Heer A61F 5/566

* cited by examiner

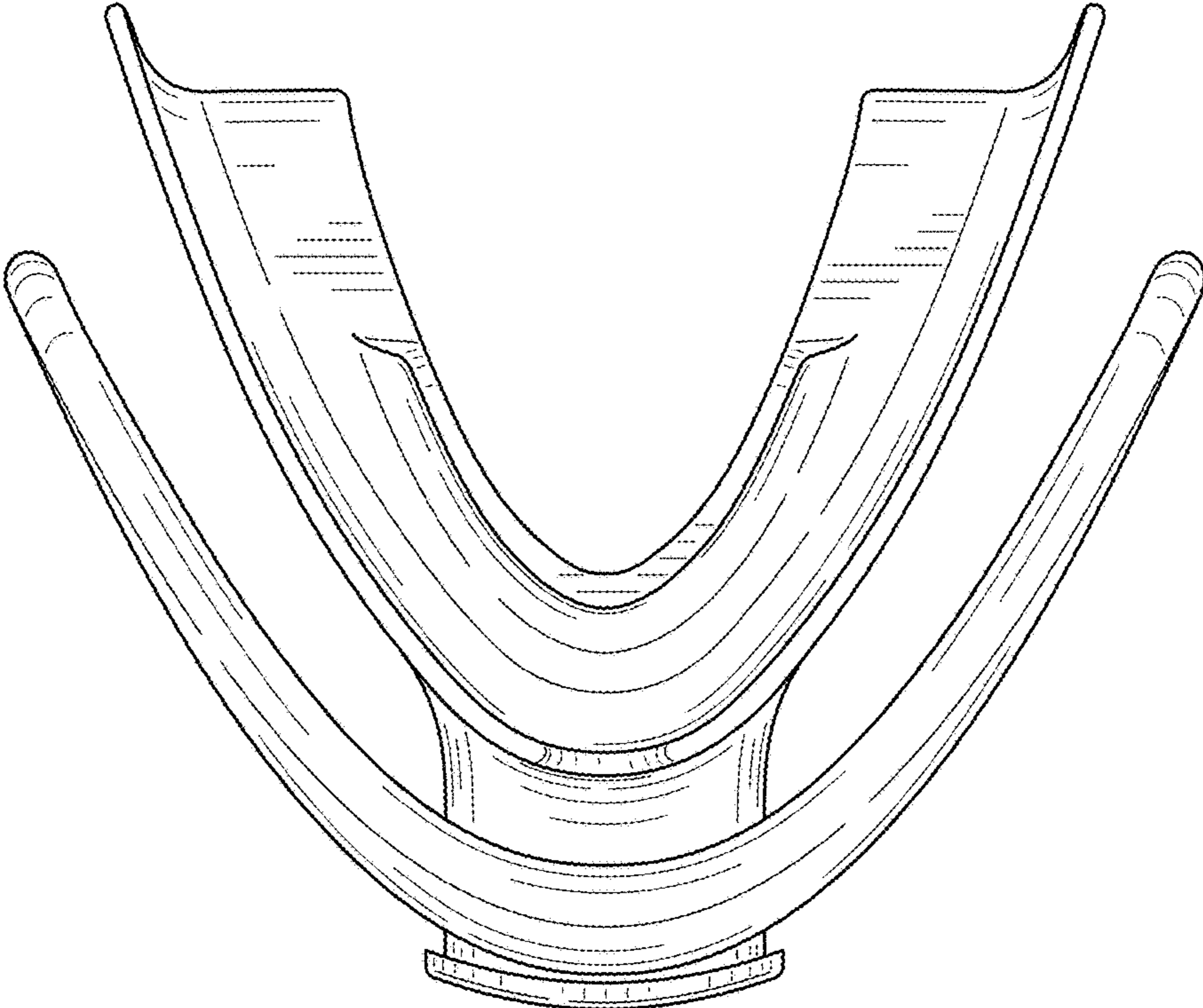


Figure 1

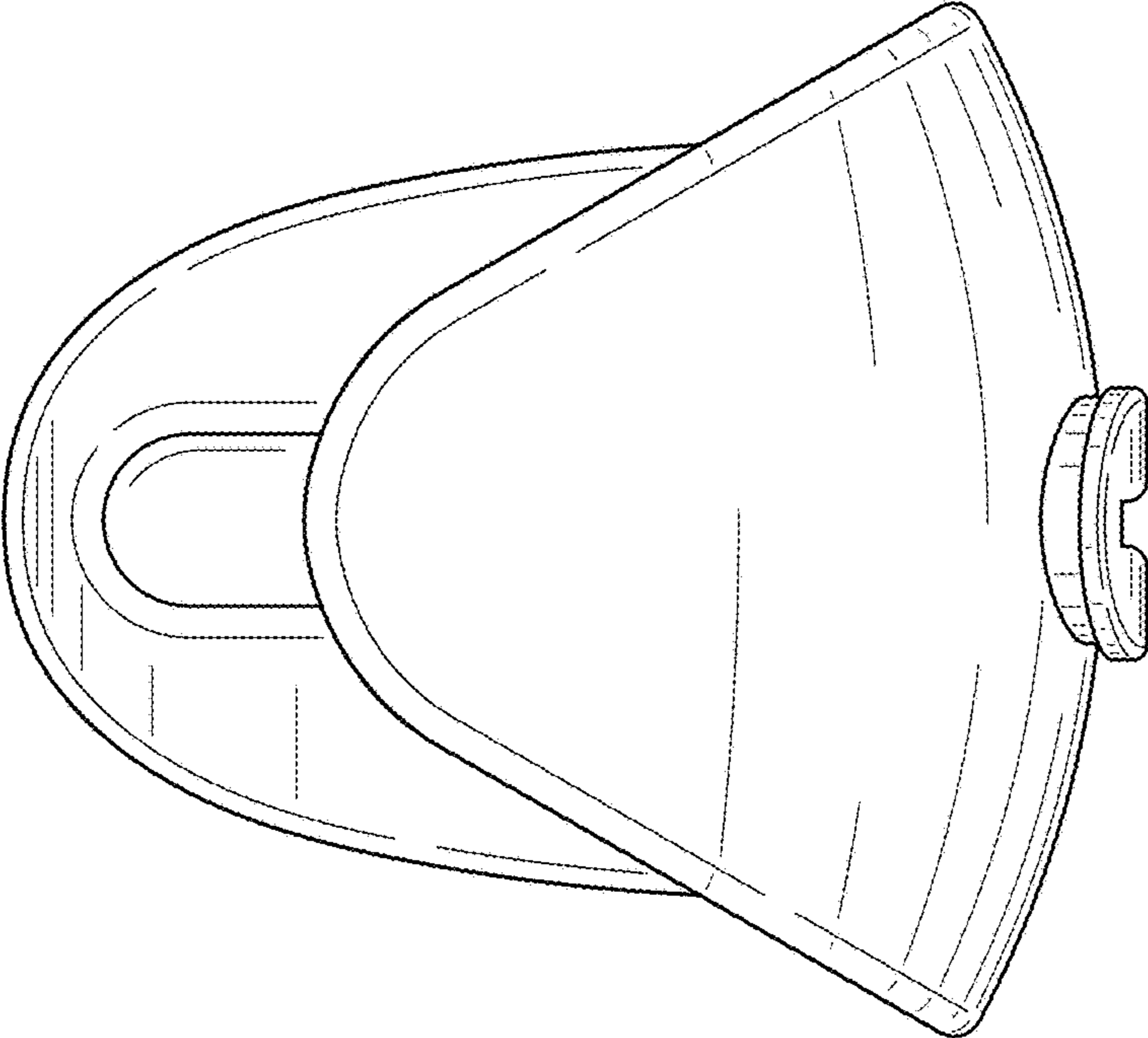


Figure 2

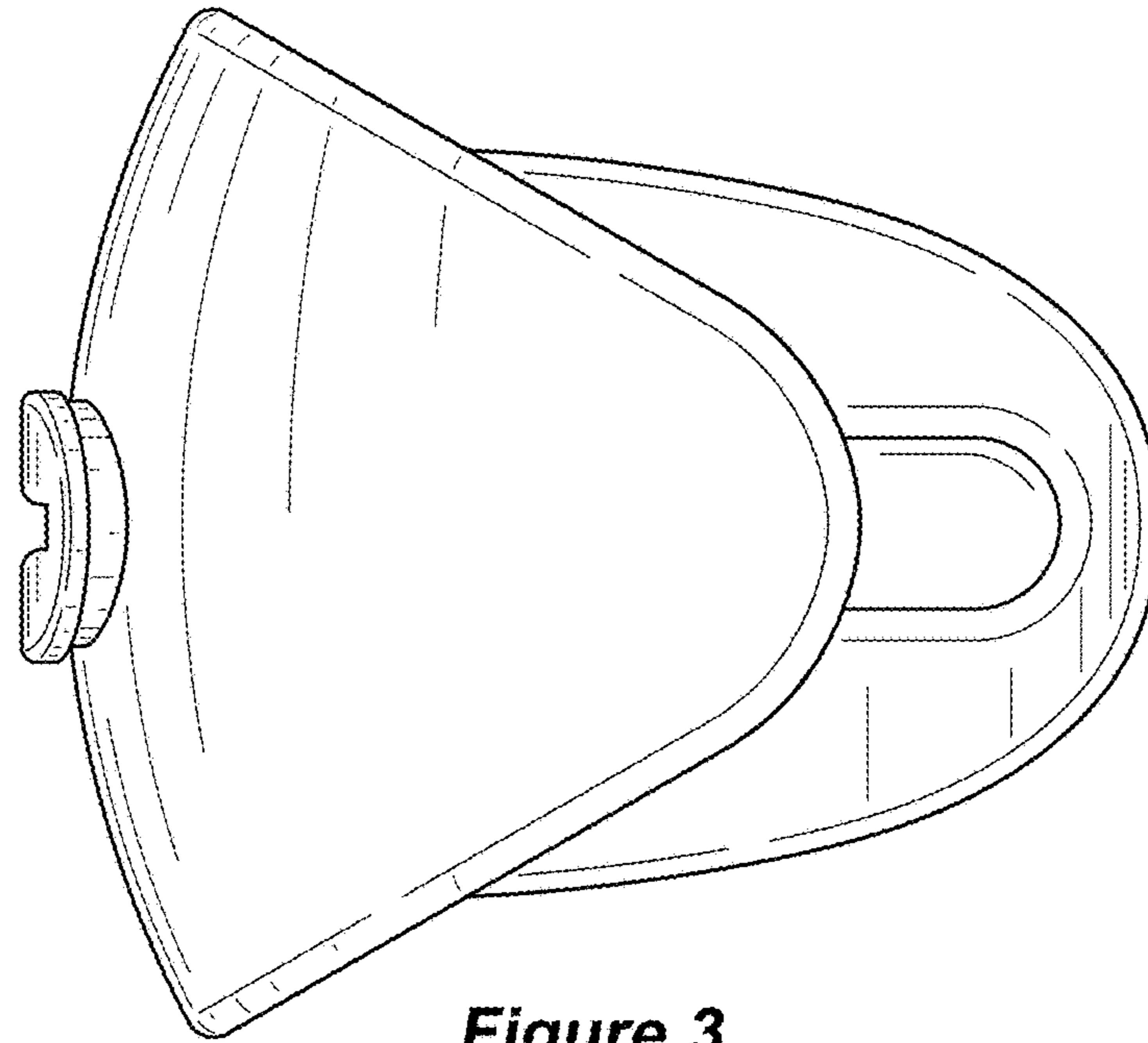


Figure 3

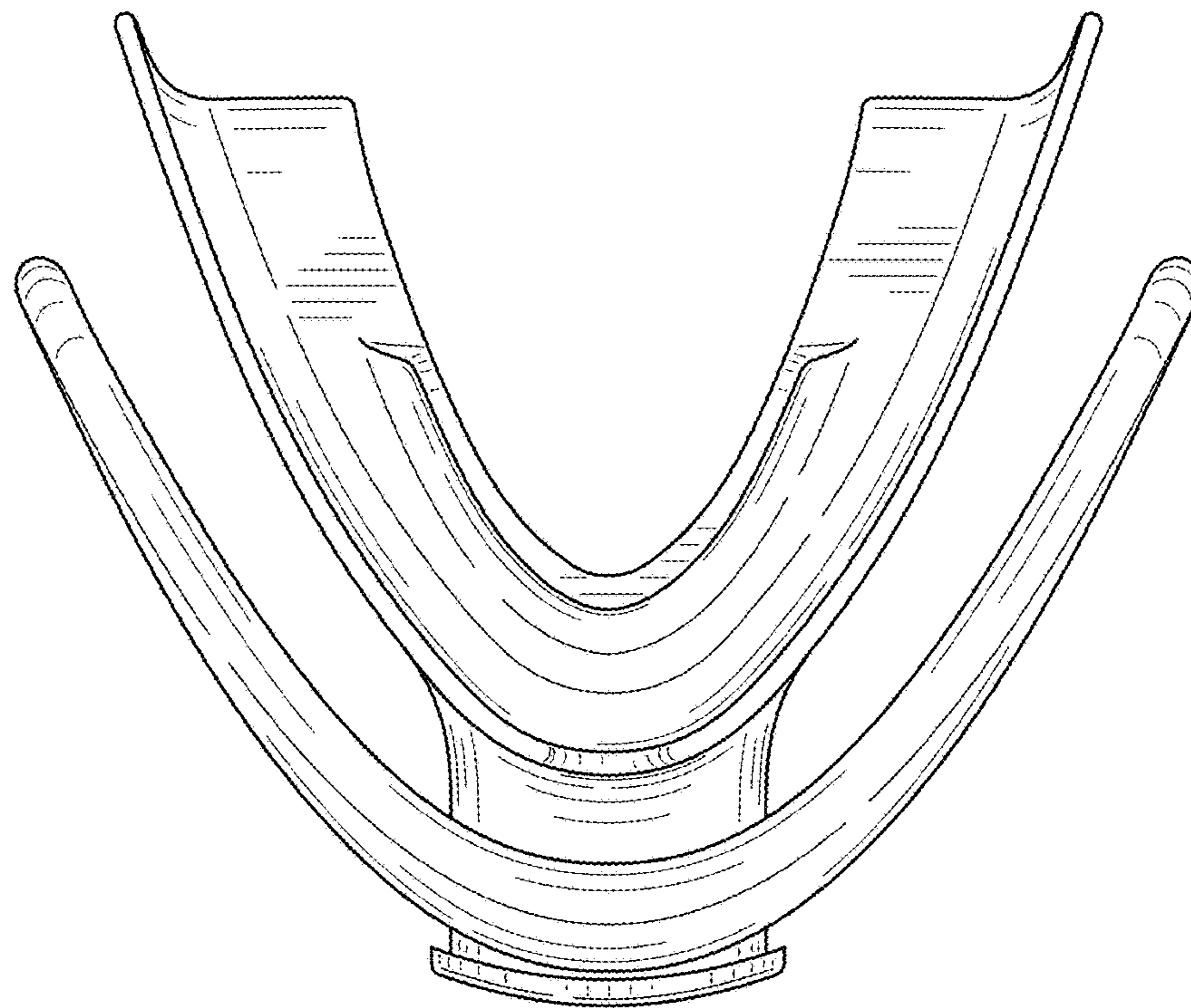


Figure 4

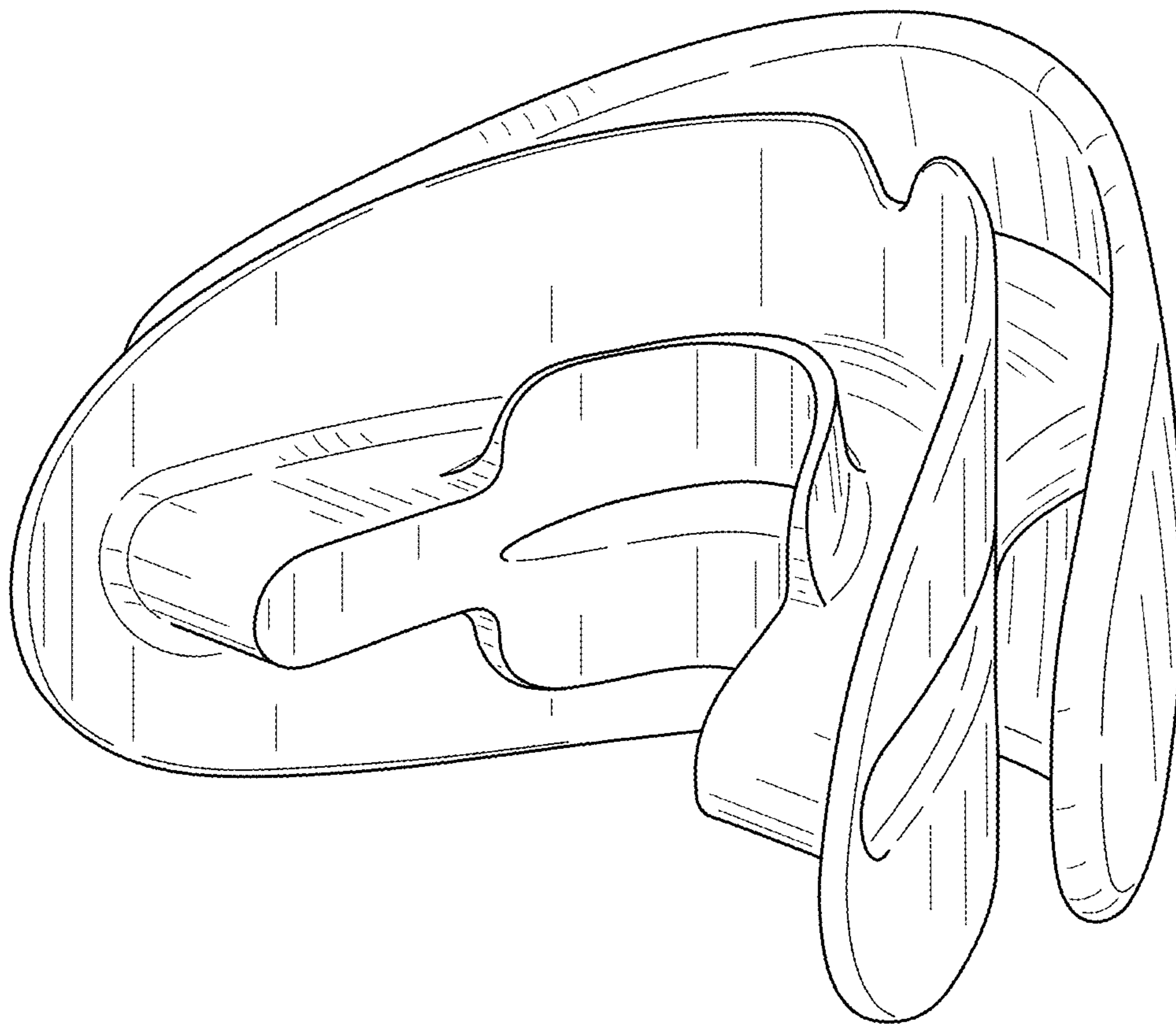


Figure 5