



US00D816209S

(12) **United States Design Patent**
Castiglione

(10) **Patent No.:** **US D816,209 S**
(45) **Date of Patent:** **** Apr. 24, 2018**

(54) **RESPIRATOR INLET PORT CONNECTION SEAL**

2,235,624 A 3/1941 Schwartz
2,787,333 A 4/1957 Boone
3,167,070 A 1/1965 Silverman
3,232,290 A 2/1966 Nicolai
3,594,816 A 7/1971 Webb
(Continued)

(71) Applicant: **3M INNOVATIVE PROPERTIES COMPANY**, St. Paul, MN (US)

(72) Inventor: **David M. Castiglione**, Hudson, WI (US)

(73) Assignee: **3M Innovative Properties Company**, St. Paul, MN (US)

(**) Term: **15 Years**

(21) Appl. No.: **29/559,371**

(22) Filed: **Mar. 28, 2016**

(51) **LOC (11) Cl.** **29-02**

(52) **U.S. Cl.**
USPC **D24/110.1**

(58) **Field of Classification Search**
USPC D24/110.1-110.4, 110.6, 127, 162;
D29/105, 107, 108, 110; D23/332, 335,
D23/355, 356, 366, 388, 412; D7/667;
D14/451, 250, 388, 399, 217-219,
D14/138 AA, 138 AB, 138 AC; D3/255,
D3/319, 320; D21/324; D18/6, 7, 11,
D18/12, 12.2; D12/209
CPC A62B 18/00; A62B 18/02; A62B 18/025;
A62B 18/08; A62B 18/10; A62B 23/00;
A62B 23/02; A62B 23/025; A62B 23/06;
A41D 13/11; A61M 16/0622; A61M
16/0616; A61M 16/0816; A61M 16/08;
A61M 16/0633; A61M 16/0666; A61M
2210/0618; A61M 16/0683

See application file for complete search history.

(56) **References Cited**

U.S. PATENT DOCUMENTS

2,055,853 A 9/1936 Schwartz
2,062,834 A 12/1936 Schwartz

FOREIGN PATENT DOCUMENTS

AU 2008202095 6/2008
CA 2402743 10/2001
(Continued)

OTHER PUBLICATIONS

“Chemical Cartridge Respirators,” Koken Website, 2007 [retrieved from the Internet on Feb. 19, 2016], URL<<http://www.koken/lt.d.co.jp/english/chemicalcartridgerespirators.htm>>, 5 pages.
(Continued)

Primary Examiner — Randall H Gholson

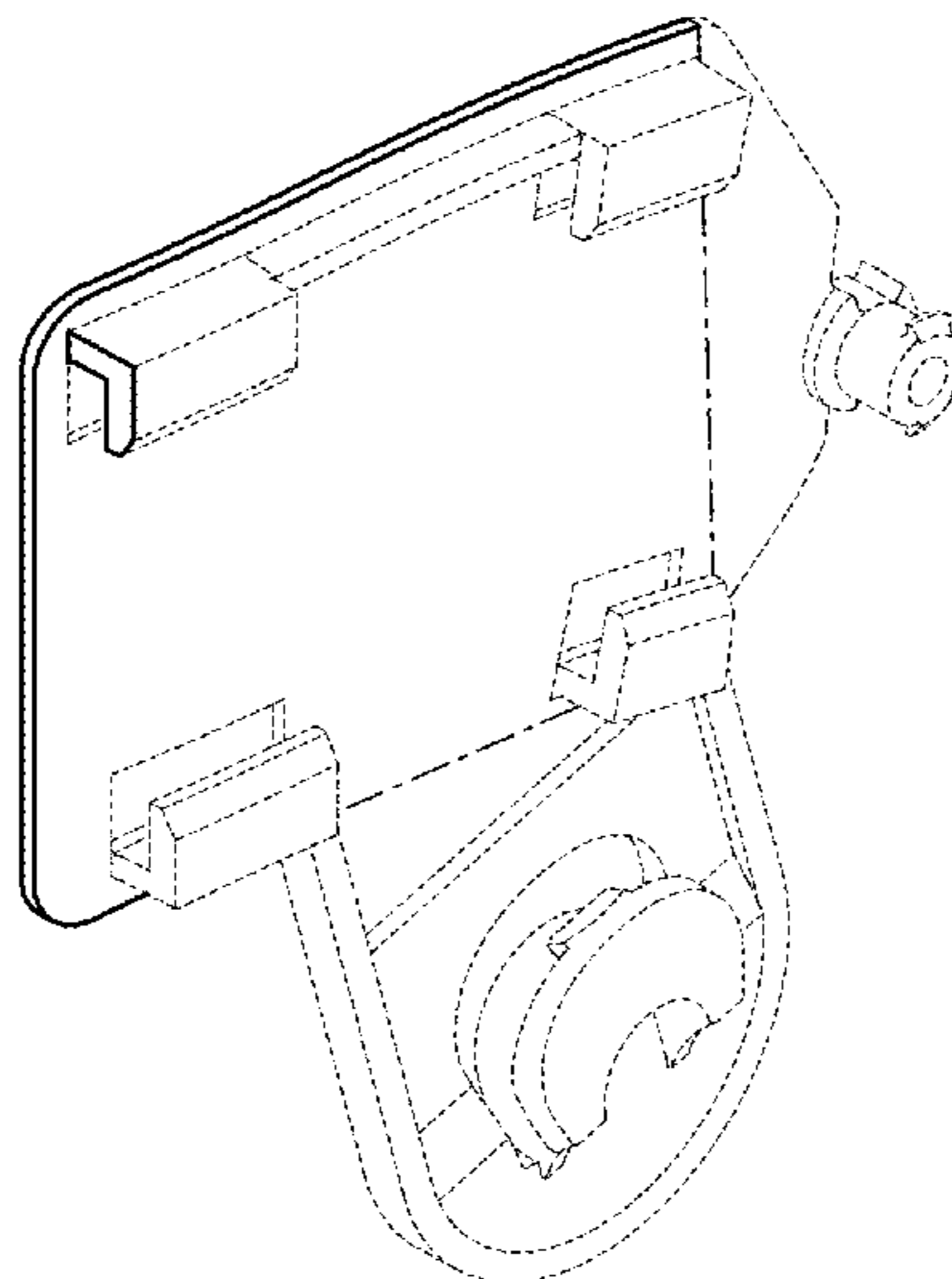
(57) **CLAIM**

The ornamental design for a respirator inlet port connection seal, as shown and described.

DESCRIPTION

FIG. 1 is a front perspective view showing a new design for a respirator inlet port connection seal;
FIG. 2 is a front view thereof;
FIG. 3 is a side view thereof;
FIG. 4 is a back view thereof;
FIG. 5 is a second side view thereof;
FIG. 6 is a top view thereof; and,
FIG. 7 is a bottom view thereof.
The broken lines shown in the drawings show unclaimed features of the respirator inlet port connection seal and form no part of the claimed design. The dot-dash broken lines form a boundary of the claimed design and do not form a part of the claimed design.

1 Claim, 2 Drawing Sheets



(56)

References Cited

U.S. PATENT DOCUMENTS

3,605,204 A	9/1971	Amundsen	6,874,499 B2	4/2005	Viner	
3,703,750 A	11/1972	Irwin, Jr.	6,883,518 B2	4/2005	Mittelstadt	
3,879,586 A	4/1975	DuRocher	6,886,559 B2	5/2005	McDonald	
3,898,700 A	8/1975	Davison	6,928,657 B2	8/2005	Bell	
4,224,694 A	9/1980	Palmaer	6,997,206 B1	2/2006	Klockseth	
4,276,657 A	7/1981	Montesi	7,025,060 B1	4/2006	Nicholson	
4,390,765 A	6/1983	Sado	7,059,326 B2	6/2006	Heidmann	
4,414,973 A	11/1983	Matheson	7,100,608 B2	9/2006	Brewer	
4,464,797 A	8/1984	Glassman	7,101,412 B2	9/2006	Gossweiler	
4,555,815 A	12/1985	Walther	7,114,496 B1	10/2006	Resnick	
4,562,837 A	1/1986	Schlobohm	7,118,608 B2	10/2006	Lovell	
4,574,799 A	3/1986	Warncke	7,121,279 B2	10/2006	Dennis	
4,604,509 A	8/1986	Clancy	7,158,822 B2	1/2007	Payne, Jr.	
4,764,989 A	8/1988	Bourgeois	RE39,493 E	2/2007	Yuschak	
4,790,306 A	12/1988	Braun	7,171,966 B2	2/2007	Schrader	
4,817,596 A	4/1989	Gallet	7,188,622 B2	3/2007	Martin	
4,905,683 A	3/1990	Cronjaeger	7,213,595 B2	5/2007	Capon	
4,921,512 A	5/1990	Maryyanek	7,296,568 B2	11/2007	Capon	
4,932,399 A	6/1990	Cappa	7,302,951 B2	12/2007	Mittelstadt	
4,981,134 A	1/1991	Courtney	7,320,722 B2	1/2008	Mittelstadt	
5,062,421 A	11/1991	Burns	7,353,826 B2	4/2008	Sleeper	
5,086,768 A	2/1992	Niemeyer	7,419,526 B2	9/2008	Greer	
5,148,803 A	9/1992	Schlobohm	7,464,705 B2	12/2008	Tanizawa	
5,154,168 A	10/1992	Schlobohm	7,543,584 B2	6/2009	Brookman	
5,299,448 A	4/1994	Maryyanek	7,559,323 B2	7/2009	Hacke	
5,372,130 A	12/1994	Stern	7,584,751 B1	9/2009	Brooks, Jr.	
RE35,062 E	10/1995	Brostrom	7,587,929 B2	9/2009	Zielinski	
5,501,213 A	3/1996	Jackson	7,650,884 B2	1/2010	Flannigan	
5,505,197 A	4/1996	Scholey	7,669,599 B2	3/2010	Gunaratnam	
5,515,846 A	5/1996	Drews	7,762,258 B2	7/2010	Zollinger	
5,540,218 A	7/1996	Jones	7,827,990 B1	11/2010	Melidis	
5,555,569 A	9/1996	Lane	7,836,886 B2	11/2010	McDonald	
5,579,761 A	12/1996	Yuschak	7,849,856 B2	12/2010	Mittelstadt	
5,592,935 A	1/1997	Elstran	7,866,010 B2	1/2011	Schmidtke	
5,611,925 A	3/1997	Yasue	7,866,319 B2	1/2011	Penton	
5,647,356 A	7/1997	Osendorf	7,908,668 B2	3/2011	Folkesson	
5,647,357 A	7/1997	Barnett	7,997,275 B2	8/2011	Quinn	
5,659,296 A	8/1997	Debe	8,006,691 B2	8/2011	Kenyon	
5,666,663 A	9/1997	Bolle	8,011,368 B2	9/2011	Crutchfield	
5,666,949 A	9/1997	Debe	8,015,626 B2	9/2011	Grassl	
5,669,375 A	9/1997	Dahrendorf	8,066,006 B2	11/2011	Daugaard	
5,687,767 A	11/1997	Bowers	8,069,853 B2	12/2011	Tilley	
5,732,695 A	3/1998	Metzger	8,104,472 B2	1/2012	Henderson	
5,803,076 A	9/1998	Myers	8,118,026 B2	2/2012	Gebrewold	
5,937,439 A	8/1999	Barthold	8,176,918 B2	5/2012	Teng	
5,937,857 A	8/1999	Caterini	8,266,724 B2	9/2012	Grilliot	
5,940,891 A	8/1999	Lane	8,267,088 B2	9/2012	Steindorf	
5,967,142 A	10/1999	Dorcheh	8,272,382 B2	9/2012	Howard	
5,975,079 A	11/1999	Hellings	8,291,906 B2	10/2012	Kooij	
6,016,802 A	1/2000	Jackson	8,297,283 B2 *	10/2012	Hitchcock	A61M 16/06 128/200.24
6,016,804 A	1/2000	Gleason				
6,167,882 B1	1/2001	Almqvist	8,312,876 B2	11/2012	Mutze	
6,196,223 B1	3/2001	Belfer	8,327,850 B2	12/2012	Ng	
6,206,003 B1	3/2001	Burch	8,336,547 B1	12/2012	Ritchie	
6,216,693 B1	4/2001	Rekow	8,342,180 B2	1/2013	Martin	
6,269,814 B1	8/2001	Blaszczkiewicz	8,365,771 B2	2/2013	Xue	
6,298,849 B1	10/2001	Scholey	8,402,966 B2	3/2013	Morgan, III	
6,345,620 B2	2/2002	Salapow	8,402,971 B2	3/2013	Scheiner	
6,408,845 B1	6/2002	Pereira	8,443,806 B2	5/2013	Morelli	
6,418,928 B1	7/2002	Bordewick	8,460,423 B2	6/2013	Legare	
6,460,539 B1	10/2002	Japuntich	8,496,005 B2	7/2013	McDonald	
6,470,886 B1	10/2002	Jestrabek-Hart	8,505,536 B2	8/2013	Kielow	
6,490,729 B1	12/2002	Dondero	8,528,559 B2	9/2013	Crutchfield	
6,550,479 B1	4/2003	Duxbury	8,550,084 B2	10/2013	Ng	
6,575,165 B1	6/2003	Cook	8,573,201 B2	11/2013	Rummery	
6,584,976 B2	7/2003	Japuntich	8,631,792 B2	1/2014	Ho	
6,659,102 B1	12/2003	Sico	8,678,003 B2	3/2014	Darkin	
6,701,925 B1	3/2004	Resnick	8,708,708 B1	4/2014	Carideo	
6,712,072 B1	3/2004	Lang	8,720,443 B2	5/2014	Kooij	
6,732,733 B1	5/2004	Brostrom	8,770,195 B2	7/2014	Stone	
D492,992 S *	7/2004	Guney	9,095,800 B2	8/2015	Symons	
6,761,169 B2	7/2004	Eswarappa	9,149,669 B2	10/2015	Cowell	
6,793,702 B2	9/2004	Eswarappa	D759,807 S *	6/2016	Blomberg	D24/110.1
6,817,362 B2	11/2004	Gelinas	9,642,403 B2 *	5/2017	Welch	A41D 13/1161
6,854,464 B2	2/2005	Mukaiyama	2001/0013347 A1	8/2001	Rekow	
			2002/0195108 A1	12/2002	Mittelstadt	
			2002/0195109 A1	12/2002	Mittelstadt	
			2003/0200969 A1	10/2003	Kintzel	
			2003/0217752 A1	11/2003	Muller	

(56)

References Cited

U.S. PATENT DOCUMENTS

2004/0003810 A1 1/2004 Templeton
 2005/0085799 A1 4/2005 Luria
 2005/0126572 A1 6/2005 Gosweiler
 2006/0076012 A1 4/2006 Tanizawa
 2006/0225738 A1 10/2006 Afentoulopoulos
 2006/0283453 A1 12/2006 Haddad
 2006/0283455 A1 12/2006 Walker
 2007/0272169 A1 11/2007 Barney
 2008/0135050 A1 6/2008 Hitchcock
 2008/0178884 A1 7/2008 Gerson
 2009/0000624 A1 1/2009 Lee
 2009/0044808 A1 2/2009 Guney
 2009/0065729 A1 3/2009 Worboys
 2009/0078264 A1 3/2009 Martin
 2009/0107515 A1 4/2009 Gavriely
 2009/0139526 A1 6/2009 Melidis
 2009/0188506 A1 7/2009 Duke
 2009/0217926 A1 9/2009 Hine
 2009/0235934 A1 9/2009 Martin
 2009/0250060 A1 10/2009 Hacke
 2009/0266361 A1 10/2009 Bilger
 2009/0268153 A1 10/2009 Wang-Lee
 2010/0108067 A1 5/2010 Walker
 2010/0132714 A1 6/2010 Morelli
 2010/0206311 A1 8/2010 Flannigan
 2010/0218761 A1 9/2010 Flannigan
 2010/0224194 A1 9/2010 Walker
 2010/0269833 A1 10/2010 Gillotin
 2010/0307506 A1 12/2010 Kielow
 2010/0313891 A1 12/2010 Veliss
 2010/0319701 A1 12/2010 Connell
 2011/0000481 A1 1/2011 Gumaste
 2011/0100372 A1 5/2011 Betz
 2011/0240027 A1 10/2011 Billingsley
 2011/0290253 A1 12/2011 McAuley
 2011/0314595 A1 12/2011 Kobayashi
 2012/0000465 A1 1/2012 Cavaliere
 2012/0024289 A1 2/2012 Johnstone
 2012/0042878 A1 2/2012 Woo
 2012/0080035 A1 4/2012 Guney
 2012/0167890 A1 7/2012 Insley
 2012/0168658 A1 7/2012 Insley
 2012/0174922 A1 7/2012 Virr
 2012/0199130 A1 8/2012 Euvrard
 2012/0204879 A1 8/2012 Cariola
 2012/0234326 A1 9/2012 Mazzone
 2012/0260920 A1 10/2012 Choi
 2013/0004358 A1 1/2013 Underwood, Jr.
 2013/0104900 A1 5/2013 Tobias
 2013/0125896 A1 5/2013 Dwyer
 2013/0133628 A1 5/2013 Fornara
 2013/0133664 A1 5/2013 Startare
 2013/0180523 A1 7/2013 Huggins
 2013/0186394 A1 7/2013 Hallett
 2013/0199520 A1 8/2013 Dhuper
 2013/0228184 A1 9/2013 Lee
 2013/0239972 A1 9/2013 McAuley
 2013/0269513 A1 10/2013 Estirado Vera
 2013/0298775 A1 11/2013 Fiet
 2013/0319420 A1 12/2013 Danford
 2013/0327323 A1 12/2013 Rubin
 2014/0007888 A1 1/2014 Sanchez Talero
 2014/0076325 A1 3/2014 Rosert
 2014/0096768 A1 4/2014 Lee
 2014/0096774 A1 4/2014 Olsen
 2014/0190476 A1 7/2014 Stinton
 2014/0216447 A1 8/2014 Kihlberg
 2014/0216472 A1 8/2014 Brace
 2014/0216473 A1 8/2014 Dwyer
 2014/0216474 A1 8/2014 Mittelstadt

2014/0216475 A1 8/2014 Blomberg
 2014/0216476 A1 8/2014 Brace
 2014/0251327 A1 9/2014 Mittelstadt
 2014/0261437 A1 9/2014 Catanzarite
 2014/0345607 A1 11/2014 Skov
 2015/0107596 A1 4/2015 Mashiko
 2015/0136142 A1 5/2015 Blomberg

FOREIGN PATENT DOCUMENTS

CN 1040508 3/1990
 CN 2800855 8/2006
 CN 102233160 11/2011
 CN 202364901 8/2012
 CN 203194645 9/2013
 CN 203235112 10/2013
 CN 203290282 11/2013
 CN 203467742 3/2014
 CN 104544685 4/2015
 CN 204306113 5/2015
 DE 2645008 4/1978
 DE 10057473 5/2002
 DE 202014105242 6/2015
 EP 2017508 1/2009
 FR 2607916 6/1988
 FR 2854575 11/2004
 FR 2903864 1/2008
 FR 2906670 4/2008
 GB 591531 8/1947
 GB 861574 2/1961
 GB 1048258 11/1966
 GB 1511303 5/1978
 GB 2388787 11/2003
 GB 2472835 2/2011
 JP 4-18581 4/1992
 JP 6099947 4/1994
 JP 11151312 6/1999
 JP 2001-104364 4/2001
 JP 2001-104501 4/2001
 JP 2006-346269 12/2006
 JP 2011-055896 3/2011
 JP 2011-246860 12/2011
 JP 5610274 12/2011
 JP 2012-040336 3/2012
 KR 10-0773460 11/2007
 KR 2012-0000355 1/2012
 WO WO 2002/093045 11/2002
 WO WO 2003/090873 11/2003
 WO WO 2003/099385 12/2003
 WO WO 2006/114505 11/2006
 WO WO 2006/129028 12/2006
 WO WO 2006/135231 12/2006
 WO WO 2008/082415 7/2008
 WO WO 2008/134905 11/2008
 WO WO 2010/095168 8/2010
 WO WO 2012/100116 7/2012
 WO WO 2013/187278 12/2013
 WO WO 2013/187279 12/2013
 WO WO 2014/120500 8/2014
 WO WO 2014/120527 8/2014
 WO WO 2014/120597 8/2014
 WO WO 2015/073414 5/2015

OTHER PUBLICATIONS

“Particulate Respirators,” Koken Website, 2007 [retrieved from the Internet on Feb. 19, 2016] URL <<http://www.koken/ltd.co.jp/english/particulatesrespirators.htm>>, 4 pages.
 “Respirator Set / Options,” Koken Website, 2007 [retrieved from the Internet on Jun. 28, 2016] URL <<http://www.koken/ltd.co.jp/english/respiratorset.htm>>, 2 pages.

* cited by examiner

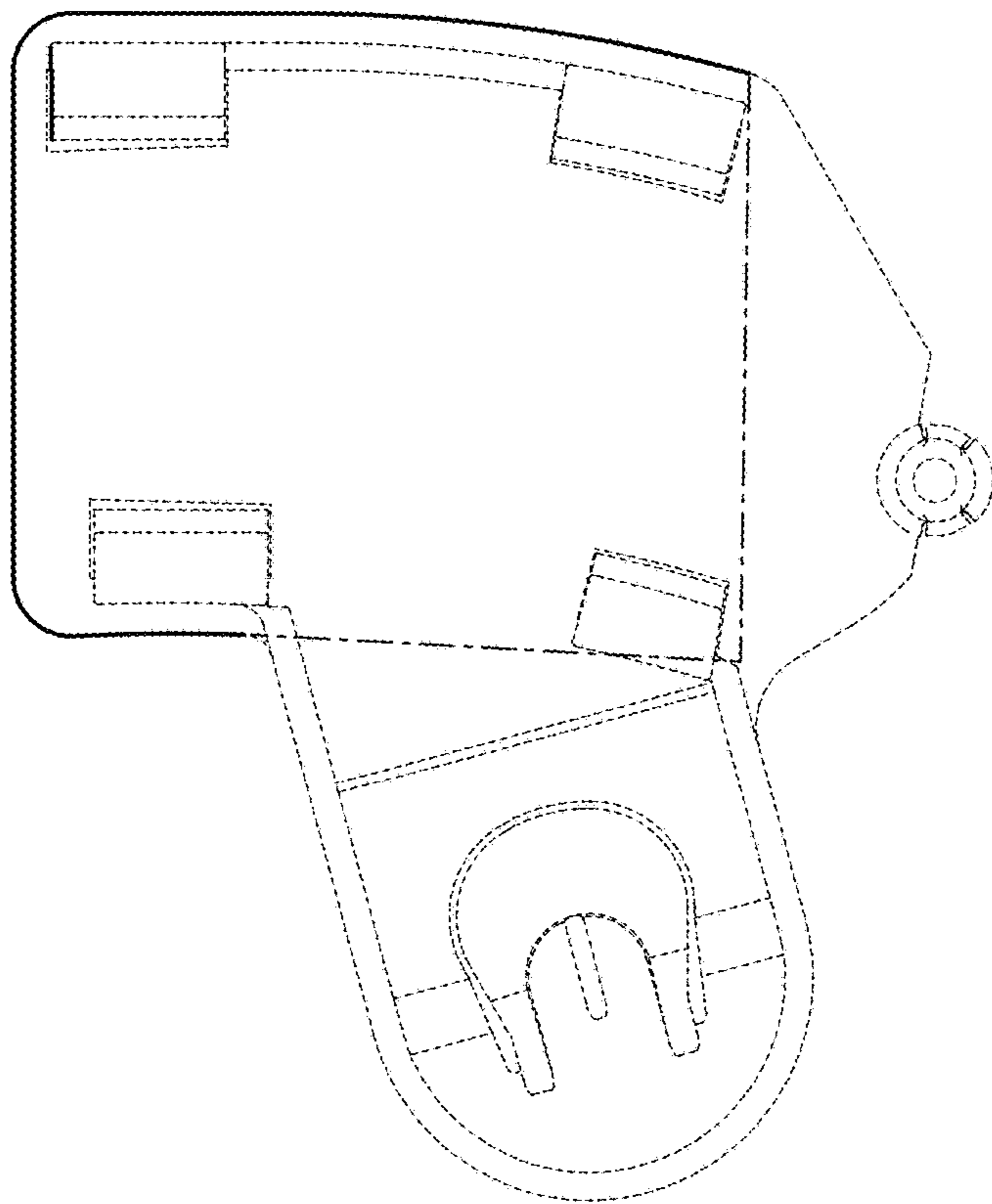
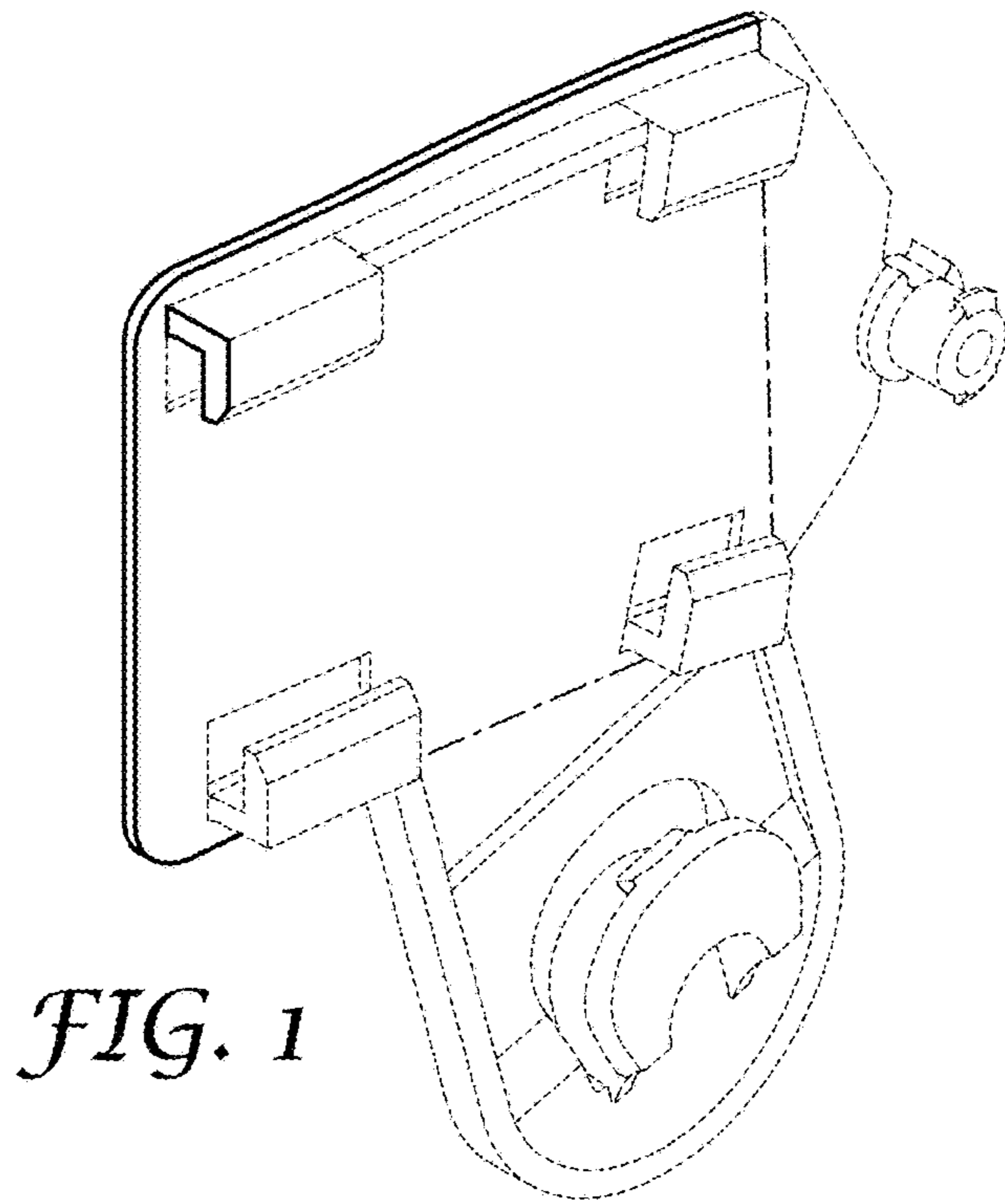


FIG. 2

FIG. 3

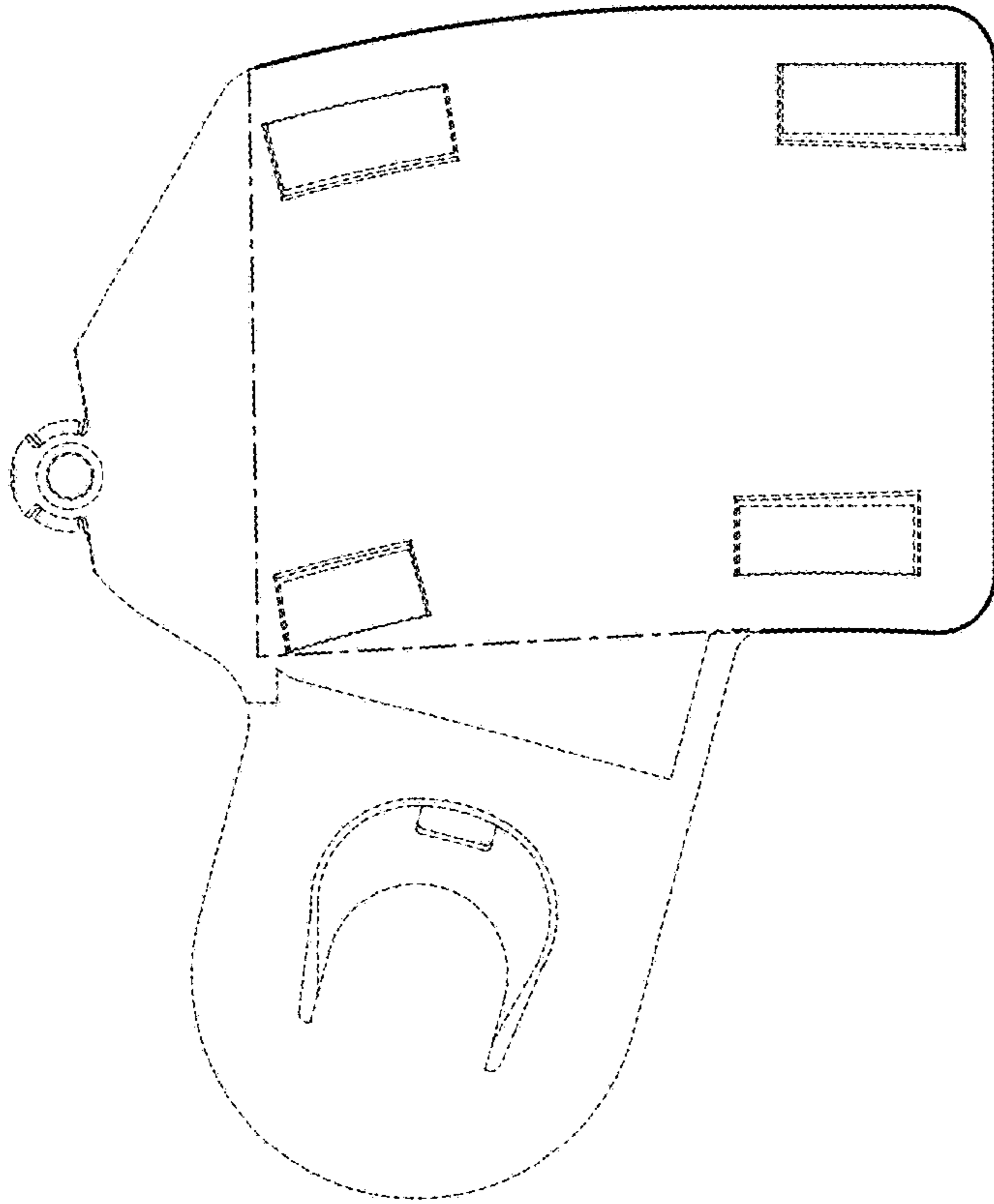


FIG. 4

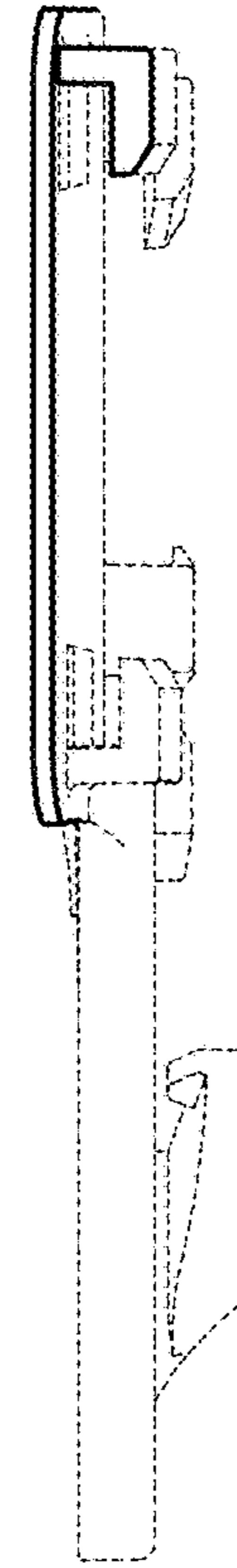


FIG. 5

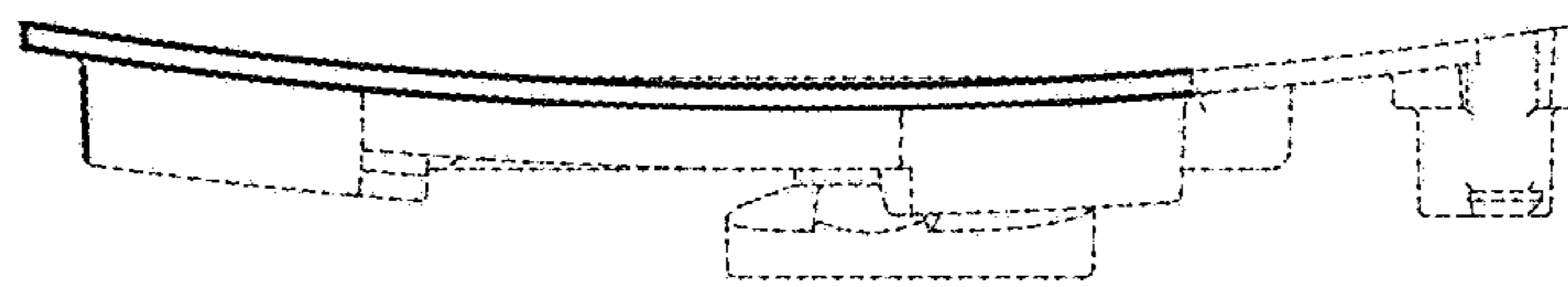


FIG. 6

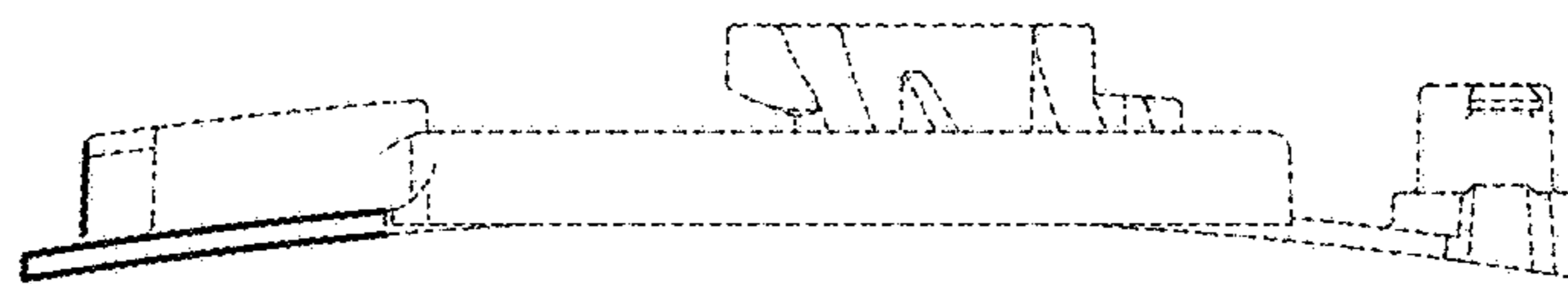


FIG. 7