



US00D816207S

(12) **United States Design Patent**  
**Sandberg**

(10) **Patent No.:** **US D816,207 S**

(45) **Date of Patent:** **\*\* Apr. 24, 2018**

(54) **ELECTRICAL BREAST PUMP**

(71) Applicant: **KONINKLIJKE PHILIPS N.V.**,  
Eindhoven (NL)

(72) Inventor: **Emma Stina Katarina Sandberg**,  
Shanghai (CN)

(73) Assignee: **KONINKLIJKE PHILIPS N.V.**,  
Eindhoven (NL)

(\*\*) Term: **15 Years**

(21) Appl. No.: **35/501,275**

(22) Filed: **Jan. 25, 2016**

(80) **Hague Agreement Data**

Int. Filing Date: **Jan. 25, 2016**  
Int. Reg. No.: **DM/089103**  
Int. Reg. Date: **Jan. 25, 2016**  
Int. Reg. Pub. Date: **Jul. 29, 2016**

(30) **Foreign Application Priority Data**

Aug. 3, 2015 (EM) ..... 002747709-0001

(51) **LOC (11) Cl.** ..... **24-02**

(52) **U.S. Cl.**  
USPC ..... **D24/109**  
CPC ..... **A61M 1/06 (2013.01)**

(58) **Field of Classification Search**  
USPC ..... D24/108, 109, 185, 186; 604/73, 74  
CPC ..... A61M 1/06; A61M 1/062; A61M 1/064  
See application file for complete search history.

(56) **References Cited**

**U.S. PATENT DOCUMENTS**

D496,723 S \* 9/2004 Myers ..... D24/109  
D540,939 S \* 4/2007 Pukall ..... D24/109

7,223,255 B2 \* 5/2007 Myers ..... A61M 1/06  
604/74  
D565,174 S \* 3/2008 Pukall ..... D24/109  
7,789,865 B2 \* 9/2010 Myers ..... A61M 1/062  
604/327  
8,142,393 B2 \* 3/2012 Myers ..... A61M 1/06  
604/74  
D683,843 S \* 6/2013 Cudworth ..... D24/109  
D695,885 S \* 12/2013 Thomas ..... D24/109  
D744,086 S \* 11/2015 Yamashita ..... D24/109  
D791,955 S \* 7/2017 Gilbert ..... D24/109  
2005/0080376 A1 \* 4/2005 Myers ..... A61M 1/06  
604/74  
2007/0161947 A1 \* 7/2007 Pfenniger ..... A61M 1/06  
604/74

\* cited by examiner

*Primary Examiner* — Richard E Chilcot

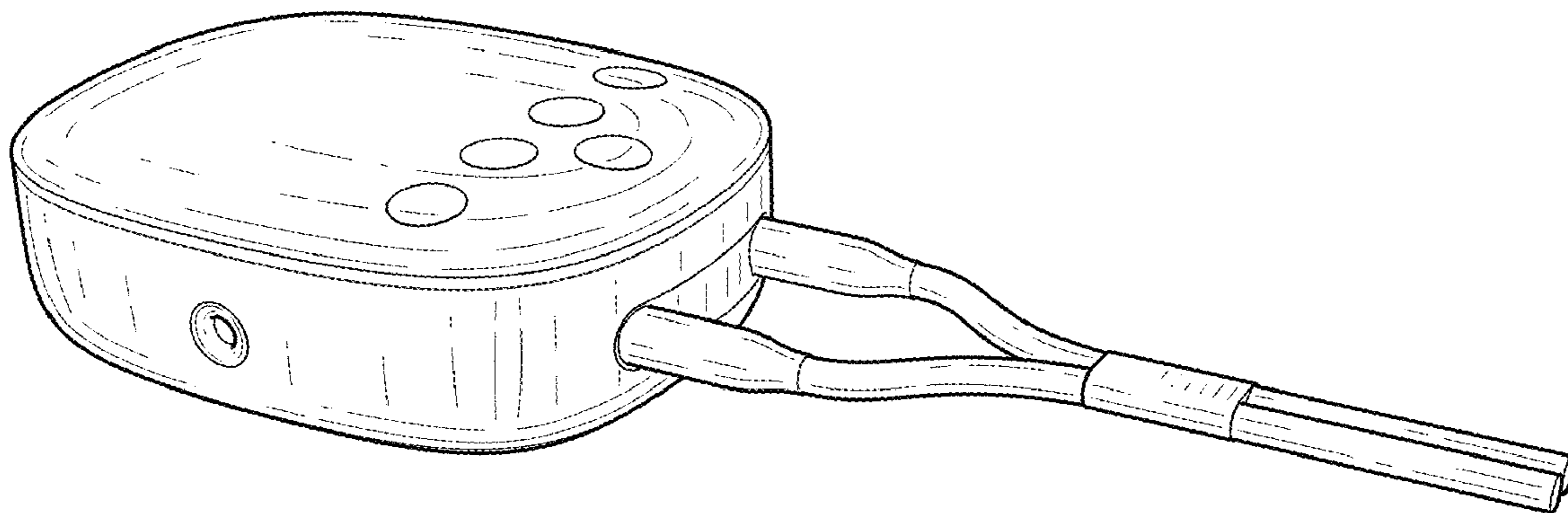
(57) **CLAIM**

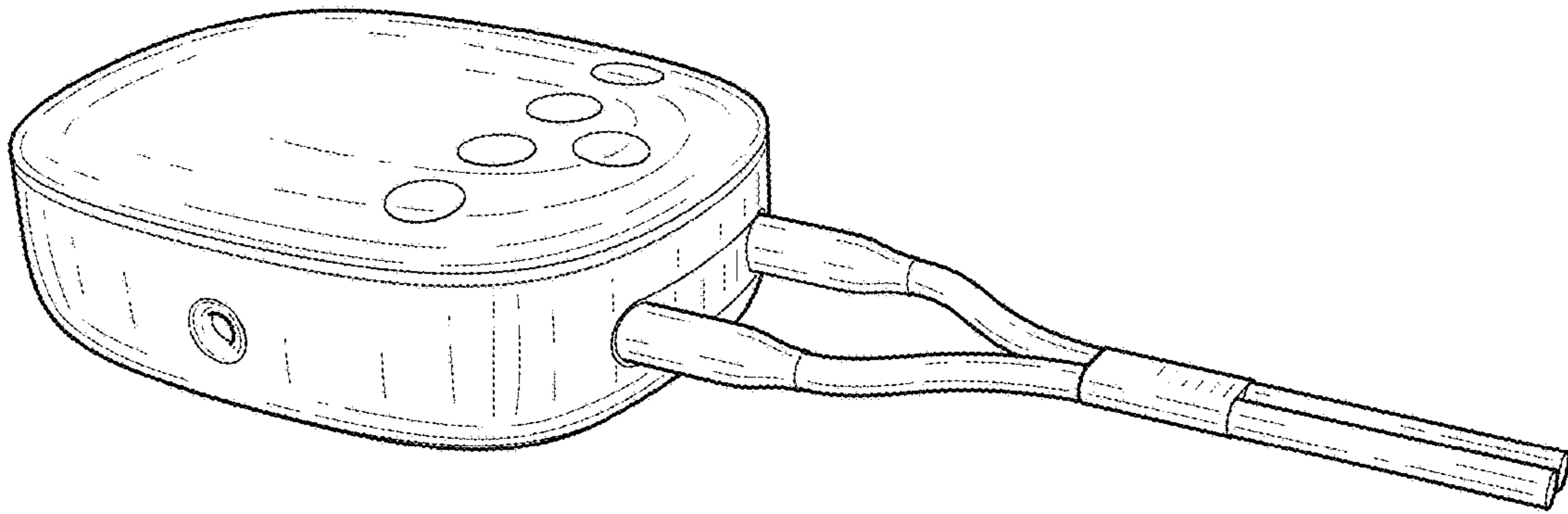
The ornamental design for electrical breast pump, as shown and described.

**DESCRIPTION**

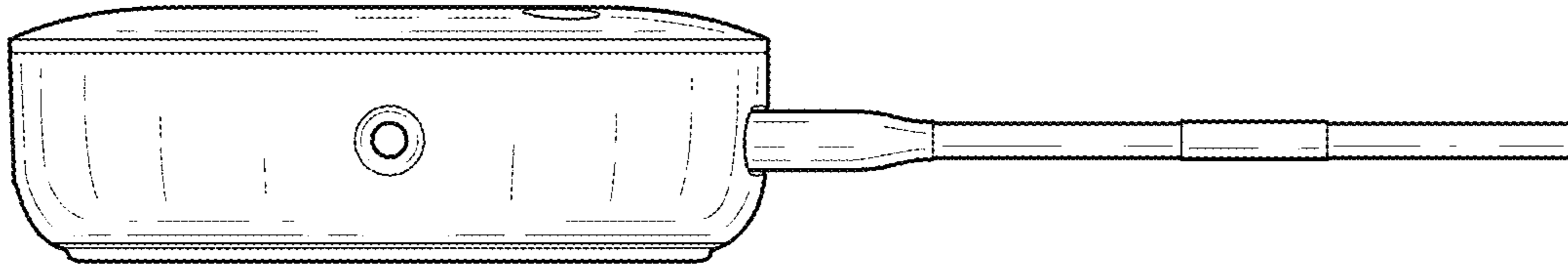
- 1. Electrical breast pump
- 1.1 is a perspective view showing the electrical breast pump of my design;
- 1.2 is a front elevational view thereof;
- 1.3 is a rear elevational view thereof;
- 1.4 is a left side elevational view thereof;
- 1.5 is a right side elevational view thereof;
- 1.6 is a top plan view thereof; and
- 1.7 is a bottom plan view thereof.

**1 Claim, 4 Drawing Sheets**

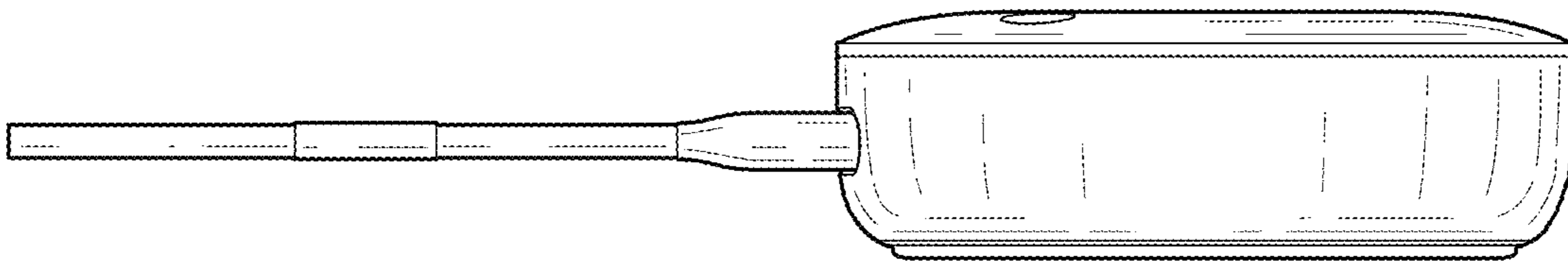




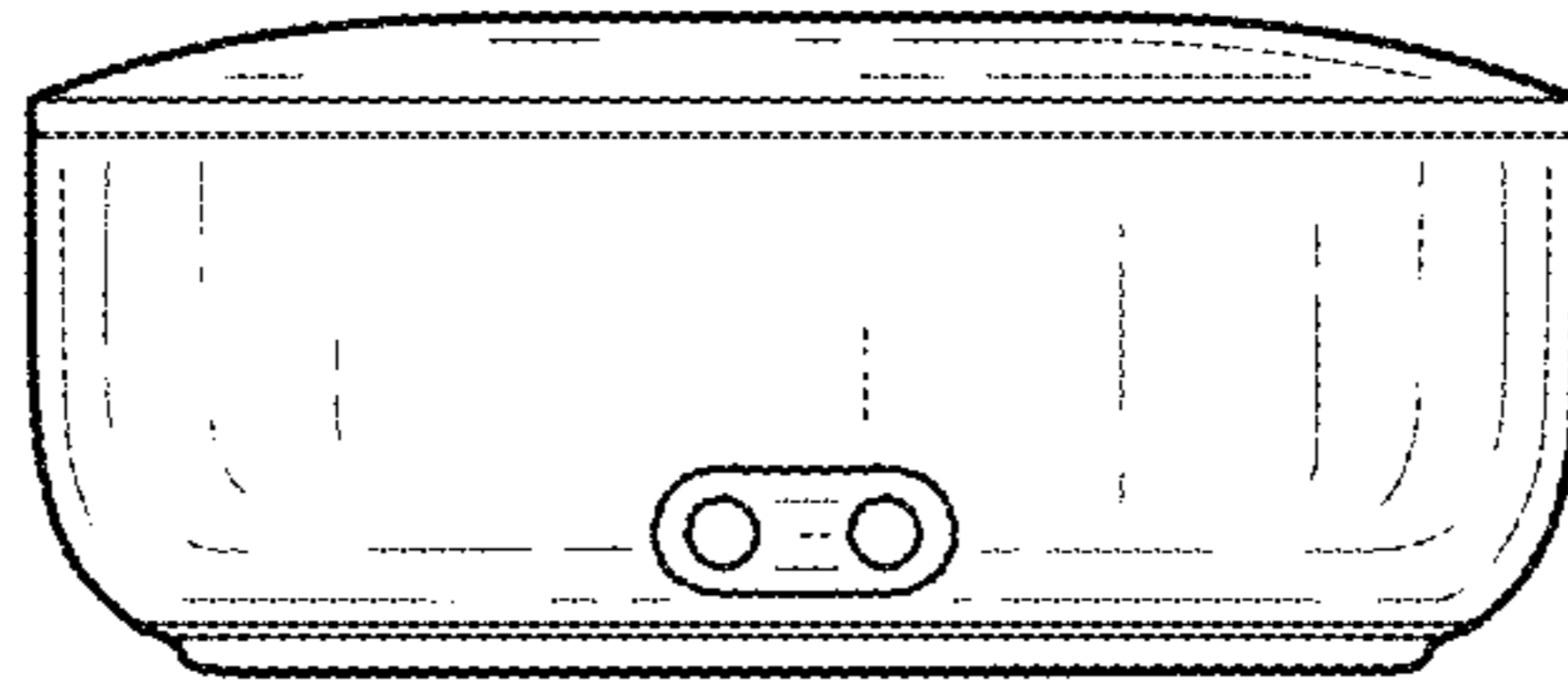
1.1



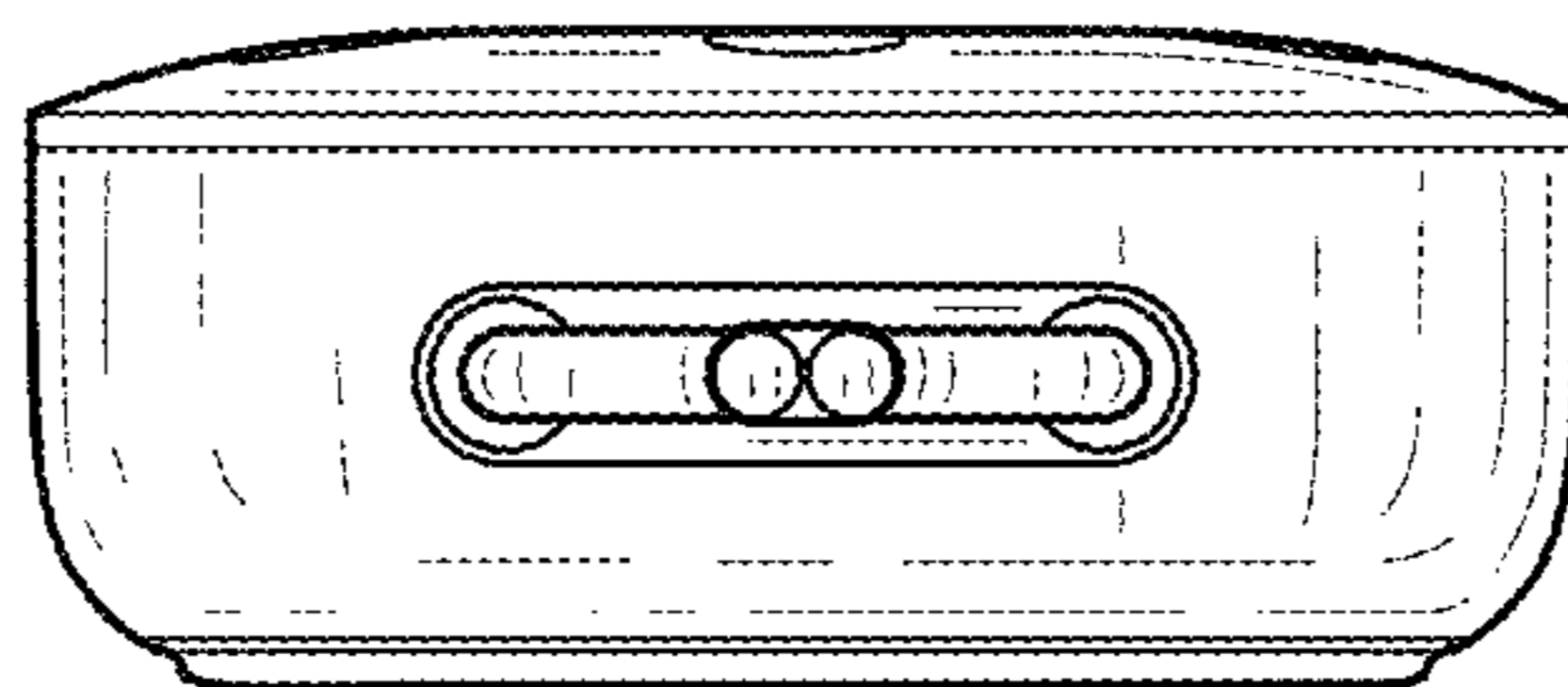
1.2



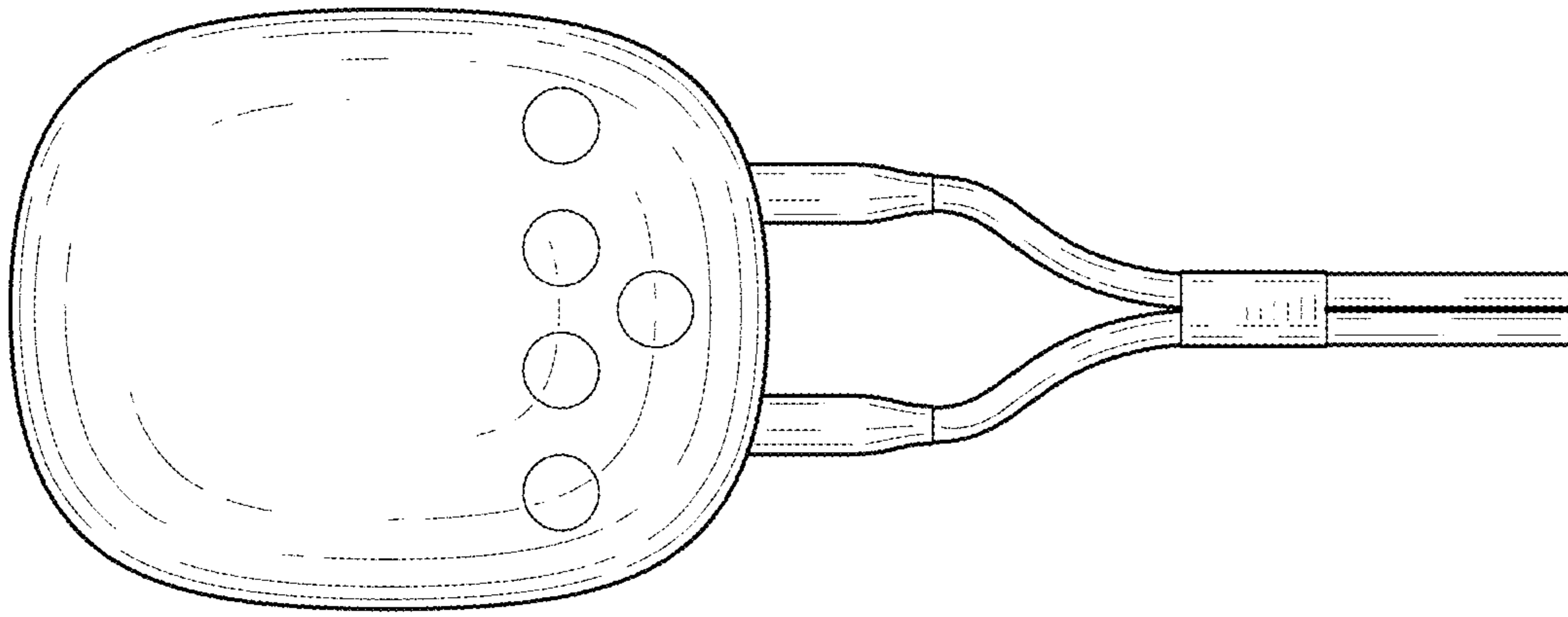
1.3



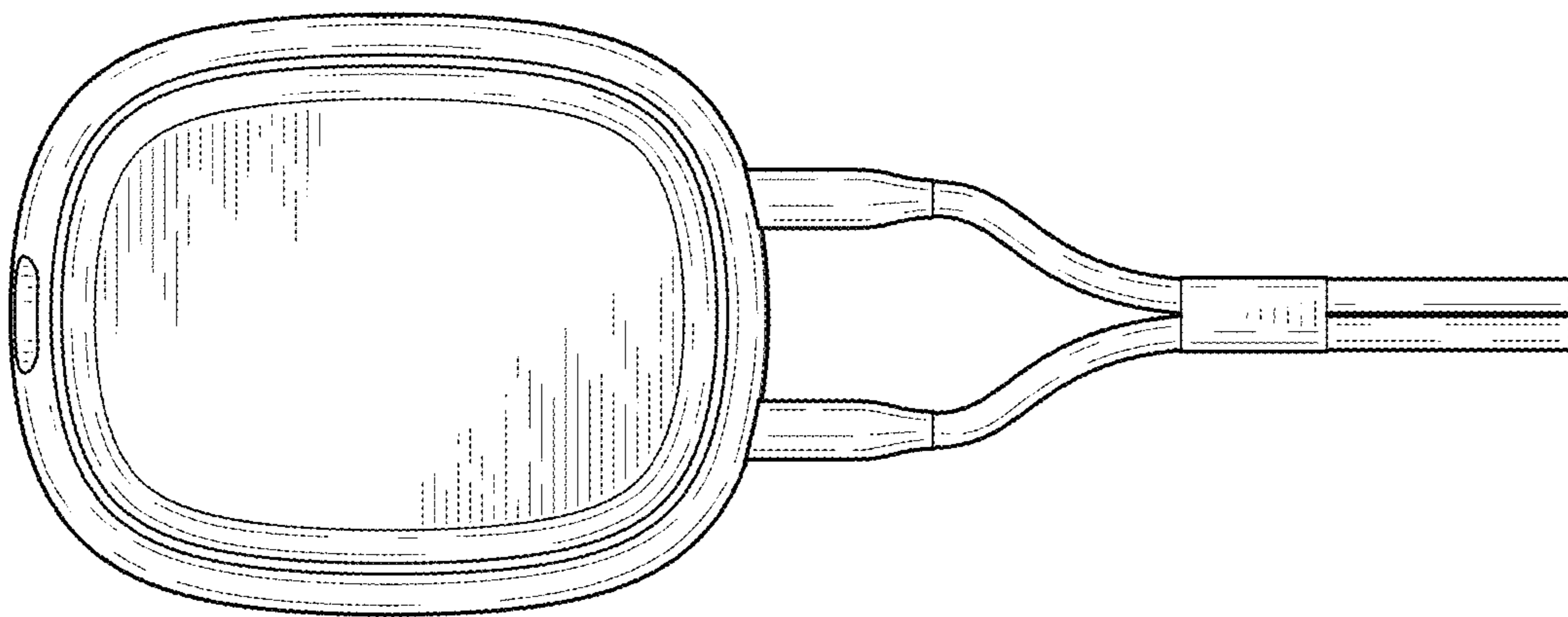
1.4



1.5



1.6



1.7