



US00D816206S

(12) **United States Design Patent** (10) **Patent No.:** **US D816,206 S**
Jonas et al. (45) **Date of Patent:** **** Apr. 24, 2018**

(54) **VENTILATION GRILL**
(71) Applicant: **Broan-NuTone LLC**, Hartford, WI (US)
(72) Inventors: **Kenneth John Jonas**, Mequon, WI (US); **Corey Scott Jacak**, West Bend, WI (US); **Benjamin Thorpe Puffer**, Hartford, WI (US); **Michael J. Alevan**, West Bend, WI (US)

2,103,283 A 2/1938 Drew et al.
D109,887 S 5/1938 Fordyce
2,182,690 A 12/1939 Cole
D118,359 S 1/1940 Arenberg
D120,266 S 4/1940 Kurth et al.
D120,772 S 5/1940 Arenberg
D120,773 S 5/1940 Arenberg
2,220,127 A 11/1940 Slayter

(Continued)

(73) Assignee: **Broan-NuTone LLC**, Hartford, WI (US)

BE 648597 9/1994
CA 108550 1/2006

(Continued)

(**) Term: **15 Years**

FOREIGN PATENT DOCUMENTS

(21) Appl. No.: **29/539,412**

OTHER PUBLICATIONS

(22) Filed: **Sep. 14, 2015**

“U.S. Appl. No. 29/539,391, Notice of Allowance mailed Mar. 1, 2017”, 8 pgs.

(51) **LOC (11) Cl.** **23-04**

(Continued)

(52) **U.S. Cl.**
USPC **D23/385**; D23/412

(58) **Field of Classification Search**
USPC D23/370, 371, 377-379, 381, 382, D23/385-388, 411, 412; D26/59
CPC F04D 25/088; F04D 29/005; F04D 29/601; F04D 29/324; F21V 33/0096; F21V 33/0092; F24F 13/078

See application file for complete search history.

Primary Examiner — Janice Hallmark

(74) *Attorney, Agent, or Firm* — McDermott Will & Emery LLP

(57) **CLAIM**

The ornamental design for a ventilation grill, as shown and described.

(56) **References Cited**

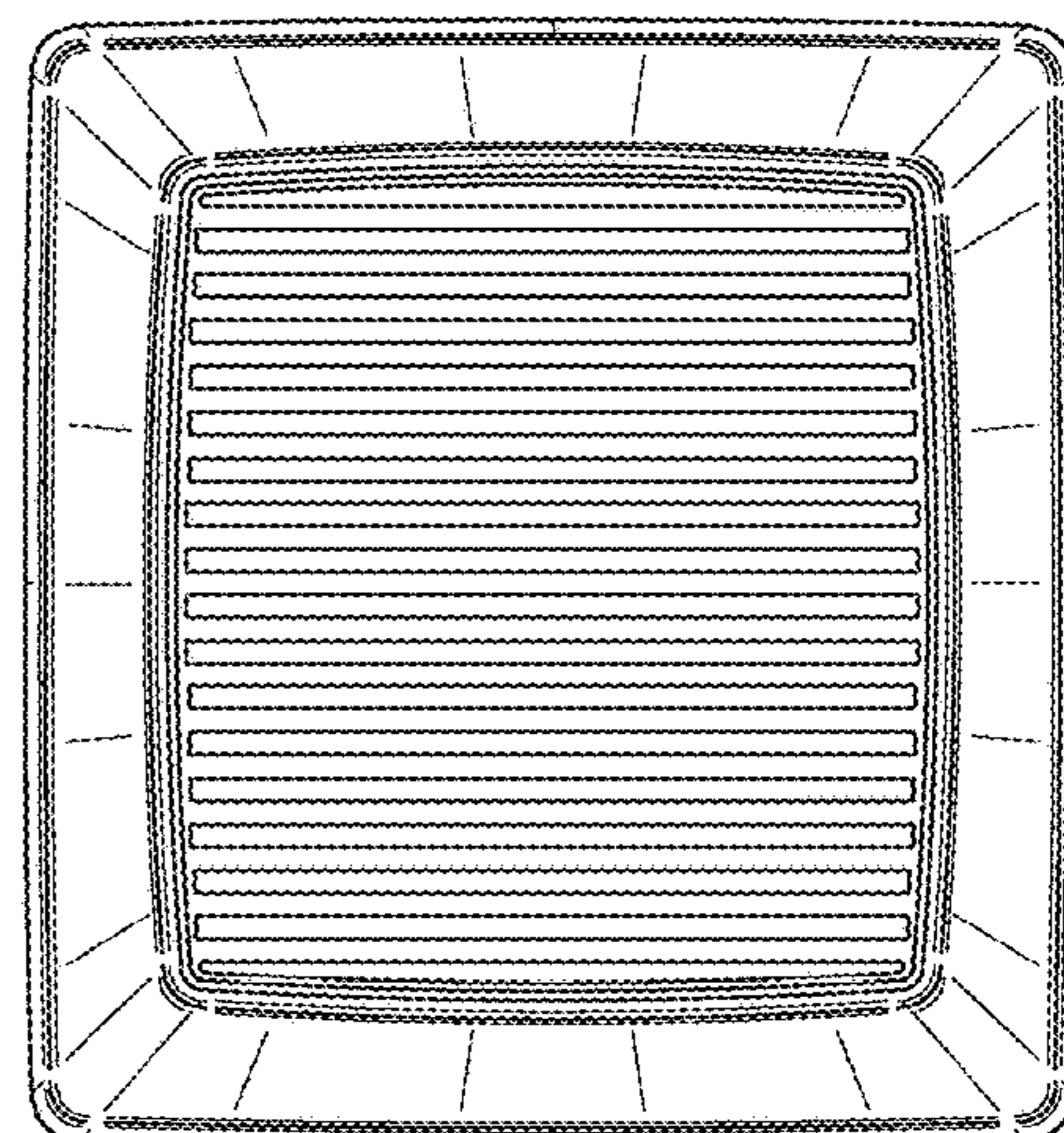
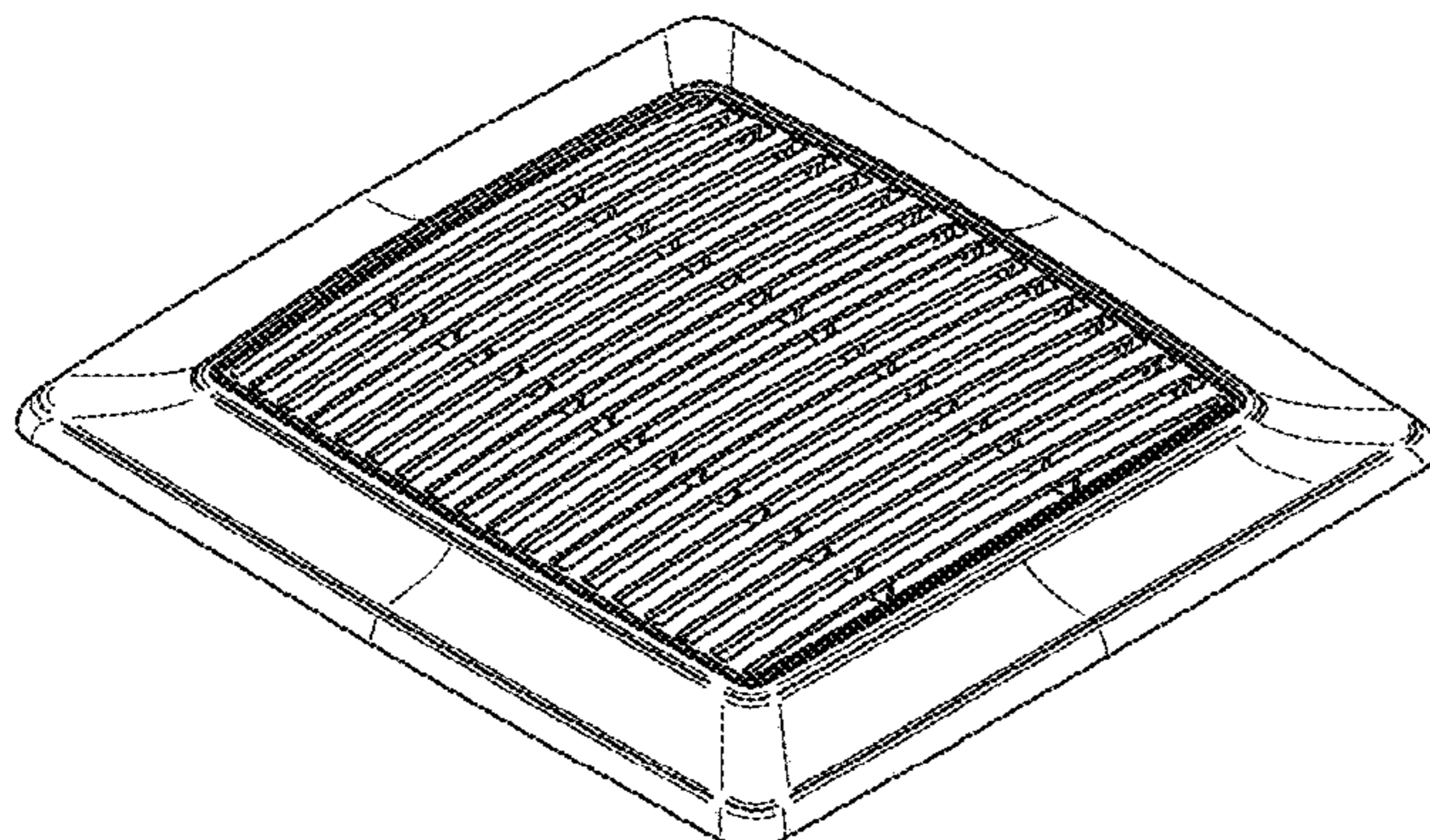
DESCRIPTION

U.S. PATENT DOCUMENTS

1,030,028 A 6/1912 Kstampaher et al.
1,395,833 A 11/1921 Kling et al.
1,532,635 A 4/1925 Osbun
1,713,101 A 5/1929 Starrett
1,886,841 A 11/1932 Searles
1,895,642 A 1/1933 Livingston
1,941,450 A 1/1934 Sylvan
2,019,867 A 11/1935 Nelson
2,021,086 A 11/1935 Oskamp
D107,399 S 12/1937 Broadwin

FIG. 1 is a perspective view of a ventilation grill showing our new design;
FIG. 2 is a top plan view thereof;
FIG. 3 is a bottom view thereof;
FIG. 4 is a side view thereof; and,
FIG. 5 is a front view, the rear view being exactly the same in appearance, thereof.
The broken lines depict environmental subject matter only and form no part of the claimed design.

1 Claim, 4 Drawing Sheets



(56)

References Cited

U.S. PATENT DOCUMENTS

2,222,081 A	11/1940	Leigh	3,875,678 A	4/1975	Vits
D126,128 S	3/1941	Hellman	3,926,537 A	12/1975	Piper
2,240,617 A	5/1941	Harrigan	3,952,638 A	4/1976	Felter et al.
2,278,581 A	4/1942	Dexter	D244,764 S	6/1977	Grubauer
D132,865 S	6/1942	Drollinger	D244,854 S	6/1977	Salamone
2,325,657 A	8/1943	Burkness	4,073,597 A	2/1978	Barnhart et al.
D153,313 S	4/1949	Phillips	4,115,082 A	9/1978	Newell et al.
2,472,748 A	6/1949	Labus	4,141,703 A	2/1979	Mulchi
2,483,377 A	9/1949	Young	4,203,332 A	5/1980	Corsetti
D157,014 S	1/1950	Walker	D256,047 S	7/1980	Wormington
2,576,860 A	11/1951	Shapiro	D257,060 S	9/1980	Mann
D165,982 S	2/1952	Kennedy	D258,083 S	1/1981	Gammell
D166,324 S	4/1952	Kurth	4,252,547 A	2/1981	Johnson
D171,505 S	2/1954	Kruger	D261,803 S	11/1981	Bohanon, Jr.
2,668,491 A	2/1954	Gerlitz	D262,457 S	12/1981	Swales
2,673,514 A	3/1954	Hanks	4,319,898 A	3/1982	Maierhofer
D173,120 S	9/1954	Levenhagen	4,335,647 A	6/1982	Timmons
2,689,906 A	9/1954	Corbett	4,336,749 A	6/1982	Barnhart et al.
2,697,163 A	12/1954	Spear	D267,828 S	2/1983	Cohen
2,710,573 A	6/1955	Marker	D268,952 S	5/1983	Anderson
2,780,981 A	2/1957	Miller	4,382,440 A	5/1983	Kapp et al.
2,790,375 A	4/1957	Broberg	4,385,550 A	5/1983	Steiner et al.
2,799,213 A	7/1957	Hansen	4,385,911 A	5/1983	Popeil et al.
2,800,069 A	7/1957	Smith	4,406,216 A	9/1983	Hott et al.
D180,727 S	8/1957	Bourner	D271,984 S	12/1983	Nelson et al.
2,811,094 A	10/1957	Auer	D275,988 S	10/1984	Walker
2,824,429 A	2/1958	Zucker	D276,282 S	11/1984	Burg
2,831,550 A	4/1958	Bub	D277,298 S	1/1985	Nelson
D133,117 S	7/1958	Coleman et al.	D277,299 S	1/1985	Nelson
2,875,678 A	3/1959	Shepherd	4,510,851 A	4/1985	Samosky et al.
2,911,900 A	11/1959	Emil	D282,275 S	1/1986	Price
2,939,377 A	6/1960	Stach	D282,972 S	3/1986	Castor et al.
2,963,956 A	12/1960	Hill	4,594,940 A	6/1986	Wolbrink et al.
2,987,258 A	6/1961	North	4,610,705 A	9/1986	Sarnosky et al.
2,996,972 A	8/1961	Ake	D286,446 S	10/1986	Caroli et al.
3,001,056 A	9/1961	Spear	4,628,802 A	12/1986	Steiner et al.
3,002,676 A	10/1961	Papsdorf	D287,888 S	1/1987	Caroli et al.
D192,312 S	2/1962	Hart	D288,007 S	1/1987	Jonas et al.
3,028,475 A	4/1962	Nash	D288,396 S	2/1987	Ritman
3,045,579 A	7/1962	Jenn et al.	4,681,024 A	7/1987	Ivey
D193,868 S	10/1962	Bloomfield et al.	4,722,266 A	2/1988	Deckert
3,064,548 A	11/1962	Field	D295,675 S	5/1988	Demarest
3,068,341 A	12/1962	Ortiz et al.	4,754,697 A	7/1988	Asselbergs
3,075,335 A	1/1963	Bandlow et al.	4,776,798 A	10/1988	Crawford
3,097,287 A	7/1963	Knoll et al.	D300,777 S	4/1989	Bales et al.
3,101,662 A	8/1963	Alldritt	D300,847 S	4/1989	Lin
D196,618 S	10/1963	Hammes	4,862,334 A	8/1989	Ivey et al.
D199,045 S	9/1964	Everts	D303,436 S	9/1989	Clyde-Mason
3,211,080 A	10/1965	Rader	4,867,640 A	9/1989	Penlesky et al.
3,212,425 A	10/1965	Hazen et al.	4,991,496 A	2/1991	Kuno et al.
3,215,828 A	11/1965	Bonvallet et al.	D315,790 S	3/1991	Koessler
3,249,037 A	5/1966	Stalker	D322,667 S	12/1991	Fukuda et al.
3,250,063 A	5/1966	Andrews	D323,209 S	1/1992	Fukumoto et al.
3,276,597 A	10/1966	Mesek et al.	D323,554 S	1/1992	Hoyt
3,326,112 A	6/1967	Sadlow et al.	D325,434 S	4/1992	Dosmann
3,332,334 A	7/1967	Melzer	D325,651 S	4/1992	Sonneman
3,347,025 A	10/1967	Wiley	D328,650 S	8/1992	Jones
3,391,689 A	7/1968	Roger	D330,585 S	10/1992	Saito et al.
3,438,180 A	4/1969	Klouda	D331,458 S	12/1992	Saito et al.
3,460,322 A	8/1969	Rivers et al.	D331,638 S	12/1992	Vamberszky et al.
3,572,234 A	3/1971	Schoenthaler	D334,053 S	3/1993	Cook
3,577,710 A	5/1971	Feldman	5,197,920 A	3/1993	Ganse
3,606,593 A	9/1971	Steiner	D334,977 S	4/1993	Avari
3,630,007 A	12/1971	Neumann	D336,895 S	6/1993	Rogov
3,636,306 A	1/1972	Bumpus	D338,954 S	8/1993	Brock
3,665,838 A	5/1972	Shepherd	D340,109 S	10/1993	Julien
3,692,977 A	9/1972	Duhamel et al.	D341,442 S	11/1993	Shapiro
3,698,833 A	10/1972	Cann et al.	5,319,942 A	6/1994	Paustian
3,732,030 A	5/1973	Mullings	D349,778 S	8/1994	Johnson et al.
3,743,439 A	7/1973	Cann	D350,191 S	8/1994	Tsuji
D229,181 S	11/1973	Bledsoe	5,333,830 A	8/1994	Millen
3,777,650 A	12/1973	Wenig	D350,409 S	9/1994	Johnson et al.
3,785,271 A	1/1974	Joy	D352,564 S	11/1994	Marischen
3,788,207 A	1/1974	Doherty, II	D357,732 S	4/1995	Spechts
3,861,894 A	1/1975	Marsh	D361,375 S	8/1995	Gallagher et al.
			D362,059 S	9/1995	Wojcik
			D366,521 S	1/1996	Wijaranakula
			D366,522 S	1/1996	Lagace et al.
			D367,924 S	3/1996	Patel

(56)

References Cited

U.S. PATENT DOCUMENTS

D372,767 S	8/1996	Borges	D464,718 S	10/2002	Wilson
D372,775 S	8/1996	Schuler	6,464,579 B1	10/2002	Salazar
D374,927 S	10/1996	Chabot	D465,565 S	11/2002	Twito
D375,350 S	11/1996	Patel et al.	6,488,579 B2	12/2002	Larson et al.
D376,214 S	12/1996	Pinchuk	D469,172 S	1/2003	Warren et al.
D376,639 S	12/1996	Moore	6,503,060 B1	1/2003	Kamada
D376,842 S	12/1996	Franklin et al.	D470,233 S	2/2003	Sarkinen et al.
D377,535 S	1/1997	Shulman	D470,482 S	2/2003	Ikeda
5,601,485 A	2/1997	Gigola	6,537,146 B1	3/2003	Haynes
D378,698 S	4/1997	Ukai et al.	D474,299 S	5/2003	Lecluze
5,632,334 A	5/1997	Grinbergs et al.	D475,131 S	5/2003	Pilger
D382,549 S	8/1997	Yoshimoto	D476,073 S	6/2003	Bourgeois
D386,186 S	11/1997	Schnetzer et al.	D480,712 S	10/2003	Noro
D386,209 S	11/1997	Firestone et al.	D480,791 S	10/2003	Phillips
D387,859 S	12/1997	Ukai et al.	D481,822 S	11/2003	Wang
D388,353 S	12/1997	Desborough et al.	D482,350 S	11/2003	Noro et al.
D393,708 S	4/1998	Assadi	D482,778 S	11/2003	Shapiro
D395,494 S	6/1998	Becker	6,651,454 B1	11/2003	Spiegel
D396,275 S	7/1998	Pearson	6,653,566 B2	11/2003	Petak et al.
D398,417 S	9/1998	Fritzsche	6,723,428 B1	4/2004	Foss et al.
5,820,247 A	10/1998	Schuler	D490,147 S	5/2004	Miura
D401,682 S	11/1998	Galezzi et al.	D490,509 S	5/2004	Negrao et al.
D403,442 S	12/1998	Joss	6,750,760 B2	6/2004	Albritton et al.
D403,787 S	1/1999	Van Belle	D493,447 S	7/2004	Noro et al.
D404,508 S	1/1999	Marischen	D493,516 S	7/2004	Harbutt et al.
D405,207 S	2/1999	Mora	D493,907 S	8/2004	Benensohn
D407,473 S	3/1999	Winbock	D496,487 S	9/2004	Rhee
D407,521 S	3/1999	Crosby	D496,992 S	10/2004	Lafond
5,879,232 A	3/1999	Luter, II et al.	D499,505 S	12/2004	Benensohn
D409,449 S	5/1999	Cornelissen	D503,689 S	4/2005	Saucier
5,918,972 A	7/1999	Van Belle	6,889,948 B2	5/2005	Melancon et al.
D412,566 S	8/1999	Taras et al.	D510,151 S	9/2005	Rashidi
D414,253 S	9/1999	Kobayashi et al.	D510,432 S	10/2005	Bargiel
5,971,847 A	10/1999	Webb	D510,996 S	10/2005	Vladika
D416,315 S	11/1999	Nanjo	D511,379 S	11/2005	Penlesky et al.
D416,349 S	11/1999	Pahl	D512,503 S *	12/2005	Roland D23/370
D417,307 S	11/1999	Pahl	D513,072 S	12/2005	Berg
D418,909 S	1/2000	Mockett	6,979,169 B2	12/2005	Penlesky et al.
D420,121 S	2/2000	Felix-Flender	D514,221 S	1/2006	Vladika
6,027,406 A	2/2000	Yazici	D514,732 S	2/2006	Benensohn
D424,672 S	5/2000	Nanjo	D521,145 S	5/2006	Craw et al.
D425,974 S	5/2000	Esty et al.	D530,808 S	10/2006	Sinur et al.
D426,292 S *	6/2000	Nanjo D23/351	D531,301 S	10/2006	Sinur et al.
D426,657 S	6/2000	Joss	D532,095 S	11/2006	Calkins
D427,009 S	6/2000	Iyengar et al.	D532,247 S	11/2006	Copeland
D427,303 S	6/2000	Brown	D533,956 S	12/2006	Vladika
D428,645 S	7/2000	Rossmann et al.	D534,301 S	12/2006	Roland
D431,075 S	9/2000	Barracough	D535,431 S	1/2007	Roland
D433,116 S	10/2000	Han et al.	D535,433 S	1/2007	Craw et al.
D434,126 S	11/2000	Caronna et al.	D535,434 S	1/2007	Fischer et al.
D435,124 S	12/2000	Yuen	D536,778 S	2/2007	O'Hagin
D435,705 S	12/2000	Powers et al.	D538,422 S	3/2007	Hooijmaaijers
D436,926 S	1/2001	Lew	D539,404 S	3/2007	Nagahori
D437,077 S	1/2001	Minissi et al.	D539,887 S	4/2007	Kato et al.
D437,405 S	2/2001	Schrank	D539,888 S	4/2007	Tsuji
D438,328 S	2/2001	Pan	D541,405 S	4/2007	Snyder
D438,948 S	3/2001	Schrank	7,203,416 B2	4/2007	Craw et al.
6,227,962 B1	5/2001	Orendorff	D541,689 S	5/2007	Meyers et al.
D443,924 S	6/2001	Renella	D541,927 S	5/2007	Yamanaka et al.
6,261,175 B1	7/2001	Larson et al.	D543,270 S	5/2007	Miura et al.
D446,850 S	8/2001	Arlotta et al.	D544,618 S	6/2007	Coushaine
D448,462 S	9/2001	Nanjo	D545,487 S	6/2007	Bynum
D449,680 S	10/2001	Arlotta et al.	D547,853 S	7/2007	Pilon et al.
D451,187 S	11/2001	Webb	D550,043 S	9/2007	Brattoli
D452,904 S	1/2002	Peng	D550,344 S	9/2007	Weggelaar
D452,905 S	1/2002	Peng	D550,660 S	9/2007	Noro et al.
D452,906 S	1/2002	Peng	D551,750 S	9/2007	Wefler
D453,375 S	2/2002	Peng	D553,235 S	10/2007	Herbst et al.
D453,564 S	2/2002	Schrank	D553,727 S	10/2007	Kato et al.
D454,391 S	3/2002	Schrank	D553,905 S	10/2007	Orr, Jr.
D457,232 S	5/2002	Miura	D555,777 S	11/2007	Aveldson
D457,616 S	5/2002	Yamanaka et al.	D561,887 S	2/2008	Friedman et al.
D461,235 S	8/2002	Arlotta et al.	7,328,478 B2	2/2008	Jenkins
D461,995 S	8/2002	Massaloux et al.	D563,539 S	3/2008	Sinur et al.
D464,418 S	10/2002	Goncalves et al.	D565,716 S	4/2008	Jacak
			D565,717 S	4/2008	Jacak et al.
			D565,722 S	4/2008	Hollingsworth et al.
			D566,257 S	4/2008	Deng
			D566,262 S	4/2008	Zakula et al.

(56)

References Cited

U.S. PATENT DOCUMENTS

D566,912 S	4/2008	Reick-Mitrisin et al.	D658,604 S	5/2012	Egawa et al.
D567,352 S	4/2008	Hollingsworth et al.	D662,648 S	6/2012	Whiting et al.
D567,353 S	4/2008	Hollingsworth et al.	D663,880 S	7/2012	Janssen
D567,354 S *	4/2008	Jacak D23/388	D663,881 S	7/2012	Janssen
D567,355 S	4/2008	Zakula et al.	D664,369 S	7/2012	Duma
D567,434 S	4/2008	Itiravivong	D665,225 S	8/2012	Zakula et al.
D567,435 S	4/2008	Kim et al.	8,256,241 B2	9/2012	Ikeda et al.
D567,692 S	4/2008	Meyers et al.	D672,079 S	12/2012	Kong
D567,931 S	4/2008	Hollingsworth et al.	D678,010 S	3/2013	Sudmalis
D567,932 S	4/2008	Hollingsworth et al.	D678,497 S	3/2013	Tom
D567,933 S	4/2008	Hollingsworth et al.	D678,995 S	3/2013	Hoshino et al.
D568,460 S	5/2008	Jacak et al.	D679,046 S	3/2013	Hoshino et al.
D569,492 S	5/2008	Zakula et al.	D681,794 S	5/2013	Lin et al.
D570,465 S	6/2008	Miyake et al.	D682,455 S	5/2013	Apetauer et al.
D571,453 S	6/2008	Hsu et al.	D685,947 S	7/2013	Pyle
D574,478 S	8/2008	Miyake et al.	D690,869 S	10/2013	Katz et al.
D575,386 S	8/2008	Jacak et al.	D701,952 S *	4/2014	Hoshino D23/388
D575,387 S	8/2008	Zakula et al.	D702,827 S	4/2014	Mase et al.
D575,389 S	8/2008	Lazzara	D704,318 S	5/2014	Martel
D577,431 S *	9/2008	Miyake D23/385	D705,409 S	5/2014	Hagiwara
D577,805 S	9/2008	Adrian et al.	D705,417 S	5/2014	Lin et al.
D578,811 S	10/2008	Gervasi	D706,404 S	6/2014	Tsuji
D581,508 S	11/2008	Miyake et al.	D706,916 S	6/2014	Penlesky et al.
D581,516 S *	11/2008	Koury D23/412	D709,170 S	7/2014	Tsuji
D581,517 S *	11/2008	Koury D23/412	D710,000 S	7/2014	Moreno
D584,393 S	1/2009	Miyake et al.	D713,952 S	9/2014	Jepson
D584,394 S	1/2009	Miyake et al.	8,864,447 B1	10/2014	Humphrey
D585,129 S	1/2009	Huang	D716,772 S	11/2014	Cavero et al.
D587,797 S	3/2009	Blanchard	D717,933 S	11/2014	McClelland et al.
D588,257 S	3/2009	Reedy	D718,086 S	11/2014	Lewis et al.
D588,688 S	3/2009	Lablaine	D718,434 S	11/2014	Diamond
D589,605 S	3/2009	Reedy et al.	D718,762 S	12/2014	Aarrestad et al.
7,537,647 B2	5/2009	Adair et al.	D720,442 S	12/2014	Kosuge
D595,402 S *	6/2009	Miyake D23/385	D725,624 S	3/2015	Carney et al.
D595,830 S	7/2009	Deng	D728,772 S	5/2015	Santeler et al.
D601,281 S	9/2009	Howard et al.	D730,510 S	5/2015	Schanzenbach
7,581,717 B1	9/2009	Thurkill	9,022,846 B1	5/2015	Tom
D602,146 S	10/2009	Olesen	9,028,212 B1	5/2015	Tom
D602,193 S	10/2009	Soderman et al.	D732,156 S	6/2015	Penlesky et al.
7,596,960 B2	10/2009	Bae	D733,861 S	7/2015	Haaf et al.
D604,834 S	11/2009	Ungar	D733,863 S	7/2015	Funnell, II et al.
D606,696 S	12/2009	Chen et al.	9,103,104 B1	8/2015	Tom
D607,600 S	1/2010	Keith	D738,482 S	9/2015	Lin et al.
D609,321 S	2/2010	Tomasulo	D738,538 S	9/2015	Lillejord
D609,803 S	2/2010	Ungar	D739,928 S	9/2015	Raisanen
D609,840 S	2/2010	Tang	D739,977 S	9/2015	Boyer et al.
D617,441 S *	6/2010	Koury D23/385	9,131,814 B2	9/2015	Nakamura
D617,889 S	6/2010	Miyake	D741,463 S	10/2015	Hauville et al.
D618,782 S	6/2010	Zakula et al.	D741,648 S	10/2015	Wahl
D621,491 S	8/2010	Tsuji	D742,494 S	11/2015	Kouketsu et al.
D622,033 S	8/2010	Lambertz	D743,520 S	11/2015	Sinur et al.
D628,737 S	12/2010	Van Den Akker	9,182,138 B2	11/2015	Foreman et al.
D629,561 S	12/2010	Kim et al.	9,188,132 B1	11/2015	Tom
7,850,513 B1	12/2010	Parker et al.	D744,628 S	12/2015	Alexander
D631,144 S	1/2011	Tsuji	D745,652 S	12/2015	Berkman et al.
D631,188 S	1/2011	Lovegrove	D746,424 S	12/2015	Takahashi et al.
D632,380 S	2/2011	Kim et al.	D746,427 S	12/2015	Mecker
D635,238 S	3/2011	Zakula et al.	9,212,668 B2	12/2015	Deng et al.
D636,482 S	4/2011	LeMay	D747,141 S	1/2016	Wahl
D636,611 S	4/2011	Duma	D747,576 S	1/2016	Fjellman
D638,925 S	5/2011	Charlebois et al.	D751,189 S	3/2016	Suzuki et al.
D642,667 S	8/2011	Irwin et al.	D751,247 S	3/2016	Reynolds
D646,417 S	10/2011	Wauters	D752,201 S	3/2016	Herbst
D648,135 S	11/2011	Lee	D753,869 S	4/2016	Prijic
D648,471 S	11/2011	Wauters	D754,319 S	4/2016	Park et al.
D653,323 S	1/2012	Jacak	9,303,859 B2	4/2016	Horng et al.
D654,998 S	2/2012	Zakula et al.	9,303,888 B2	4/2016	Karst et al.
D655,403 S	3/2012	Zakula et al.	D755,942 S	5/2016	Kim
D655,804 S	3/2012	Platt	D759,800 S	6/2016	Adrian et al.
D655,850 S	3/2012	Sabernig	D771,231 S *	11/2016	Chen D23/388
D655,855 S	3/2012	Sabernig	D778,424 S	2/2017	Jonas et al.
D656,264 S	3/2012	Janssen	D778,425 S	2/2017	Jonas et al.
D657,036 S	4/2012	Vetu et al.	D779,050 S	2/2017	Jonas et al.
D657,858 S	4/2012	Platt	D784,511 S	4/2017	Jonas et al.
D658,603 S	5/2012	Egawa et al.	D784,512 S	4/2017	Jonas et al.
			2003/0220069 A1	11/2003	Orendortf
			2005/0095979 A1	5/2005	Moreno
			2005/0111840 A1	5/2005	Craw et al.

(56)

References Cited

U.S. PATENT DOCUMENTS

2007/0167128	A1 *	7/2007	Popowitz	F24F 13/084 454/284
2009/0130970	A1	5/2009	Jacak et al.	
2009/0170421	A1	7/2009	Adrian et al.	
2009/0280737	A1	11/2009	Jacak et al.	
2012/0087132	A1	4/2012	Zakula et al.	
2013/0088855	A1	4/2013	Ye et al.	
2014/0063796	A1 *	3/2014	Zakula	F24F 13/078 362/231
2015/0117034	A1	4/2015	Horng et al.	
2015/0125292	A1	5/2015	Karst et al.	
2015/0140923	A1	5/2015	Penlesky	
2015/0219118	A1	8/2015	Zakula et al.	
2016/0029109	A1	1/2016	Liu et al.	
2016/0069561	A1	3/2016	Jonas et al.	

FOREIGN PATENT DOCUMENTS

CA	108557	1/2006
CA	2636643	12/2012
CA	163016	5/2016
CA	163017	5/2016
CA	163018	5/2016
CN	303580220	2/2016
CN	303580221	2/2016
CN	303580222	2/2016
CN	303580223	2/2016
CN	303580224	2/2016
EP	1248048	10/2002
FR	1324767	10/1960

OTHER PUBLICATIONS

“U.S. Appl. No. 29/539,392, Notice of Allowance mailed Mar. 3, 2017”, 8 pgs.
 “U.S. Appl. No. 29/539,396, Notice of Allowance mailed Feb. 27, 2017”, 9 pgs.
 “U.S. Appl. No. 29/539,401, Notice of Allowance mailed Feb. 27, 2017”, 8 pgs.
 “U.S. Appl. No. 29/539,405, Notice of Allowance mailed Mar. 1, 2017”, 9 pgs.
 “U.S. Appl. No. 29/539,409, Notice of Allowance mailed Mar. 2, 2017”, 8 pgs.
 “U.S. Appl. No. 29/539,414, Notice of Allowance mailed Mar. 13, 2017”, 8 pgs.
 “U.S. Appl. No. 29/539,415, Notice of Allowance mailed Mar. 9, 2017”, 8 pgs.
 “Canadian Application Serial No. 163,015, Response filed Mar. 10, 2016 to Office Action dated Nov. 10, 2015”, 7 pgs.
 “U.S. Appl. No. 29/521,663, Corrected Notice of Allowance dated Mar. 30, 2016”, 4 pgs.
 “U.S. Appl. No. 29/514,061, Non Final Office Action dated May 19, 2016”, 19 pgs.
 “U.S. Appl. No. 29/514,063, Non Final Office Action dated May 19, 2016”, 22 pgs.
 “U.S. Appl. No. 29/514,067, Non Final Office Action dated May 20, 2016”, 21 pgs.
 “U.S. Appl. No. 29/514,073, Non Final Office Action dated May 20, 2016”, 21 pgs.
 “U.S. Appl. No. 29/514,070, Non Final Office Action dated May 27, 2016”, 26 pgs.
 “Chinese Application Serial No. 201630055109.5, Office Action dated Jun. 1, 2016”, 1 pg.
 “Canadian Application Serial No. 165,307, Response filed Jun. 15, 2016 to Office Action dated Feb. 15, 2016”, 9 pgs.
 “Canadian Application Serial No. 165,355, Response filed Jun. 15, 2016 to Office Action dated Feb. 15, 2016”, 6 pgs.
 “Canadian Application Serial No. 165,366, Response filed Jun. 15, 2016 to Office Action dated Feb. 15, 2016”, 18 pgs.

“Canadian Application Serial No. 167,117, Office Action dated Jul. 14, 2016”, 3 pgs.
 “U.S. Appl. No. 29/514;061, Response filed Aug. 17, 2016 to Non Final Office Action dated May 19, 2016”, 6 pgs.
 “U.S. Appl. No. 29/514,063, Response filed Aug. 17, 2016 to Non Final Office Action dated May 19, 2016”, 8 pgs.
 “U.S. Appl. No. 29/514,067, Response filed Aug. 22, 2016 to Non Final Office Action dated May 20, 2016”, 6 pgs.
 “U.S. Appl. No. 29/514,073, Response filed Aug. 22, 2016 to Non Final Office Action dated May 20, 2016”, 6 pgs.
 “U.S. Appl. No. 29/514,970, Response filed Aug. 29, 2016 to Non Final Office Action dated May 27, 2016”, 6 pgs.
 “U.S. Appl. No. 29/538,019, Restriction Requirement dated Sep. 1, 2016”, 7 pgs.
 “Chinese Application Serial No. 201630055109.5, Response filed Sep. 18, 2016 to Office Action dated Jun. 1, 2016”, 5 pgs.
 “U.S. Appl. No. 29/514,061, Final Office Action dated Sep. 19, 2016”, 9 pgs.
 “U.S. Appl. No. 29/514;073, Notice of Allowance dated Sep. 19, 2016”, 8 pgs.
 “U.S. Appl. No. 29/514,067, Notice of Allowance dated Sep. 20, 2016”, 9 pgs.
 “U.S. Appl. No. 29/514,070, Notice of Allowance dated Sep. 21, 2016”, 6 pgs.
 “Canadian Application Serial No. 165,355, Response filed Sep. 22, 2016 to Office Action dated Jun. 28, 2016”, 2 pgs.
 “U.S. Appl. No. 29/514,070, Corrected Notice of Allowance dated Oct. 5, 2016”, 2 pgs.
 “U.S. Appl. No. 29/514,073, Corrected Notice of Allowance dated Oct. 5, 2016”, 2 pgs.
 “U.S. Appl. No. 29/538,019, Examiner Interview Summary dated Oct. 11, 2016”, 7 pgs
 “U.S. Appl. No. 29/514,063, Response Filed Oct. 24, 2016 to Non-Final Office Action dated May 19, 2016”, 8 pgs.
 “Canadian Application Serial No. 169,274, Office Action dated Oct. 25, 2016”, 2 pgs.
 “Canadian Application Serial No. 169,275, Office Action dated Oct. 25, 2016”, 2 pgs.
 “U.S. Appl. No. 29/538,019, Response filed Nov. 1, 2016 to Restriction Requirement dated Sep. 1, 2016”, 4 pgs.
 “Canadian Application Serial No. 167, 117, Response filed Nov. 3, 2016 to Office Action dated Jul. 14, 2016”, 10 pgs.
 “U.S. Appl. No. 29/514,061, Response Filed Nov. 21, 2016 Final Office Action dated Sep. 19, 2016”, 16 pgs.
 “U.S. Appl. No. 29/538,019, Notice of Allowance dated Nov. 23, 2016”, 9 pgs.
 “U.S. Appl. No. 29/539,396, Notice of Allowance dated Feb. 27, 2017”, 9 pgs.
 “U.S. Appl. No. 29/539,401, Notice of Allowance dated Feb. 27, 2017”, 8 pgs.
 “U.S. Appl. No. 29/539,391, Notice of Allowance dated Mar. 1, 2017”, 8 pgs.
 “U.S. Appl. No. 29/539,405, Notice of Allowance dated Mar. 1, 2017”, 9 pgs.
 “U.S. Appl. No. 29/539,409, Notice of Allowance dated Mar. 2, 2017”, 8 pgs.
 “U.S. Appl. No. 29/539,392, Notice of Allowance dated Mar. 3, 2017”, 8 pgs.
 “U.S. Appl. No. 29/539,415, Notice of Allowance dated Mar. 9, 2017”, 8 pgs.
 “U.S. Appl. No. 29/539,414, Notice of Allowance dated Mar. 13, 2017”, 8 pgs.
 “Broan QTX110SL Media Gallery, Broan QTX110SL Combintation Fan, Light, Night-Light, 110 CFM, 0.9 Sones, Humidity Sensing, Ventingdirect.com, p. 1. ”.
 Nutone/Sterling Lighting Catalog NS103 .COPYRGT.1980, p. 57, Downlight #87, and p. 81, Recessed Square Light #XT-210 (Cited on face of previous patent).
 Thomas Lighting Catalog .COPYRGT.1980, p. 145, Ceiling Lamp #R213, and p. 149, Fan-Light Unit #T342.(Cited on face of previous patent).

(56)

References Cited

OTHER PUBLICATIONS

Thomas Industries Starlight Lighting Catalog. COPYRGT.1982, p. 61, Combined Fan-Light Heater T-305.(Cited on face of previous patent).

Emerson Environmental Products, Whole House Fan and Shutter System Owners Manual, Dec. 1982. cited by other. (Cited on face of previous patent).

Photographs of Panasonic Ventilating Fan, Model FV-11,VHL1, available prior to Jan. 2, 2008, 3 pages.(Cited on face of previous patent).

Spartan Electric Company, Direct Drive Whole House Fans Publication, available prior to Jan. 2, 2008. (Cited on face of previous patent).

“Direct Drive Whole House Fans Publication”, Spartan Electric Company, Fayetteville, N.C., (Feb. 4, 2008), 4 pgs. (Cited on face of previous patent).

“Whole House Fan and Shutter System Owners Manual”, Emerson Environmental Products, Model No. WH20WS, Bennettsville, S. C., (Feb. 4, 2008), 12 pgs. (Cited on face of previous patent).

“Whirlpool 30” and 36” Range Hood Models UXT3030AY/UXT3036AY”, Installation Instructions and Use & Care Guide, [online] Retrieved from the Internet: <http://www.whirlpool.ca/digitalassets/UXT3030AYB/Use%20and%20Care_EN.pdf>, (2011),28 pgs.” (Cited on face of previous patent).

“Maytag 30 in. Non-Vented Range Hood in Stainless Steel”, Model# UXT4030AYS, Home Depot, [online] [retrieved on Sep. 23, 2013]. Retrieved from the Internet:<http://www.homedepot.com/p/Maytag-30-in-Non-Vented-Range-Hood-in-1Stainiess-Steel-UXT_4030AYS/202832999#customer_reviews>, (Jul. 9, 2011), 5 pgs. (Cited on face of previous patent).

“Finnleo Steam Sauna Ventilation Wood grill”, [Online]. Retrieved from the Internet: <<https://www.tineye.com/search/8ff8db465e46f58bcad482160583c-b539dc23fa4/>>, (Jun. 6, 2012). (Cited on face of previous patent).

“U.S. Appl. No. 11/968,250, Non Final Office Action dated Sep. 20, 2012”, 21 pgs.

“U.S. Appl. No. 11/968,250, Response filed Dec. 20, 2012 to Non Final Office Action dated Sep. 20, 2012”, 26 pgs.

“U.S. Appl. No. 11/968,250, Final Office Action dated Mar. 26, 2013”, 20 pgs.

“U.S. Appl. No. 11/968,250, Response filed May 24, 2013 to Final Office Action dated Mar. 26, 2013”, 34 pgs.

“U.S. Appl. No. 11/968;250, Advisory Action dated Jun. 24, 2013”, 3 pgs.

“U.S. Appl. No. 11/968,250, Non Final Office Action dated Aug. 22, 2013”, 18 pgs. cited by applicant.

“U.S. Appl. No. 29/458,592, Non Final Office Action dated Sep. 27, 2013”, 7 pgs.

“U.S. Appl. No. 11/968,250, Response filed Nov. 8, 2013 to Non Final Office Action dated Aug. 22, 2013”, 23 pgs. cited by applicant. Grille Images, image post date Nov. 23, 2013, site visited May 14, 2016, (online), <<https://www.tineye.com/search/ea95b48bdc1fce15b6d68e4fbc33c-0e4e7566460/>>. cited by examiner in previous patent.

“U.S. Appl. No. 29/458,592, Response filed Dec. 27, 2013 to Non Final Office Action dated Sep. 27, 2013”, 8 pgs.”.

“U.S. Appl. No. 11/968,250, Final Office Action dated Jan. 22, 2014”, 18 pgs.

“U.S. Appl. No. 29/458,592, Notice of Allowance dated Mar. 4, 2014”, 6 pgs.

Napoleon Prestige Pro 450--Natural Gas, image post date Apr. 5, 2014, site visited May 15, 2016, (online), <<http://web.archive.org/web/20140405111728/http://www.bbgworld.co.uk/napoleon/napoleon-prestige-pro-450-natural-gas.asp>>. cited by examiner in previous patent.

“Ultra Green series”, [Online]. Retrieved from the Internet: <<http://web.archive.org/web/20140416053348/http://www.broan.com/products/filter/ultra-406c-abf1-ed72241eb706>>, (Apr. 16, 2014). (Cited on face of previous patent).

“Airvent 435103 Kitchen Extractor Fan”, [Online]. Retrieved from the Internet: <<https://www.amazon.co.uk/Airvent-435103-Kitchen-Extractor-1-5Omrn/dp/B0085TQ75U/ref=pd.sub.--cp.sub.--107.sub.--3?ie=UTF8&refRID=1XMRP1-Q1QR5H6NZ1MR7C>>, (May 14, 2014). (Cited on face of previous patent).

“U.S. Appl. No. 11/968,250, Response filed May 22, 2014 to Final Office Action dated Jan. 22, 2014”, 12 pgs.

“U.S. Appl. No. 11/968,250, Non Final Office Action dated Jun. 19, 2014”, 18 pgs. cited by applicant.

“U.S. Appl. No. 11/968,250, Response filed Sep. 19, 2014 to Non Final Office Action dated Jun. 19, 2014”, 11 pgs. cited by applicant. Air Vent Grille Cover, image post date Nov. 9, 2014, site visited May 14, 2016, (online), <<https://www.tineye.com/search/232b8f674998285163e7a3de47a03ed0ef9b1dc-6/>>. (Cited on face of previous patent).

GDL Air Distribution Grilles, image post date Nov. 23, 2014, site visited May 14, 2016, (online), <<https://www.tineye.com/search/d0efdc23f3887a1bdc58adaa3fef15c33f2b486-b/>>. cited by examiner in previous patent.

“U.S. Appl. No. 11/968,250, Final Office Action dated Nov. 26, 2014”, 20 pgs.

“Manrose FF100P Bathroom Fan”, [Online]. Retrieved from the Internet: <<https://www.tineye.com/search/63988ff8b950dad9cb1aacc5119050bdd00cf2-1/?pluginver=>>>, (Dec. 12, 2014). cited by applicant . (Cited on face of previous patent).

“U.S. Appl. No. 29/458,589, Restriction Requirement dated Apr. 9, 2015”, 7 pgs.

“U.S. Appl. No. 29/458,589, Response filed Apr. 27, 2015 to Restriction Requirement dated Apr. 9, 2015”, 4 pgs.

“Canadian Application Serial No. 163,017, Office Action dated Nov. 9, 2015”, 3 pgs.

“Canadian Application Serial No. 163,018, Office Action dated Nov. 9, 2015”, 2 pgs.

“Canadian Application Serial No. 163,019, Office Action dated Nov. 9, 2015”, 2 pgs.

“Canadian Application Serial No. 163,015, Office Action dated Nov. 10, 2015”, 5 pgs.

“Canadian Application Serial No. 163,016, Office Action dated Nov. 10, 2017”, 3 pgs.

“U.S. Appl. No. 29/521,663, Restriction Requirement dated Dec. 3, 2015”, 6 pgs.

“U.S. Appl. No. 29/521,663, Response filed Feb. 2, 2016 to Restriction Requirement dated Dec. 3, 2015”, 3 pgs.

U.S. Appl. No. 29/521,663, Notice of Allowance dated Feb. 12, 2016, 7 pgs.

“Canadian Application Serial No. 165,307, Office Action dated Feb. 15, 2016” W/ English Translation, 2 pgs.

“Canadian Application Serial No. 165,355, Office Action dated Feb. 15, 2016”, 2 pgs.

“Canadian Application Serial No. 165,366, Office Action dated Feb. 15, 2016”, with English Translation, 2 pgs.

“Canadian Application Serial No. 163,017, Response filed Mar. 9, 2016 to Office Action dated Nov. 9, 2015”, 8 pgs.

“Canadian Application Serial No. 163,018, Response filed Mar. 9, 2016 to Office Action dated Nov. 9, 2015”, 7 pgs.

“Canadian Application Serial No. 163,019, Response filed Mar. 9, 2016 to Office Action dated Nov. 9, 2015”, 7 pgs. cited by applicant.

* cited by examiner

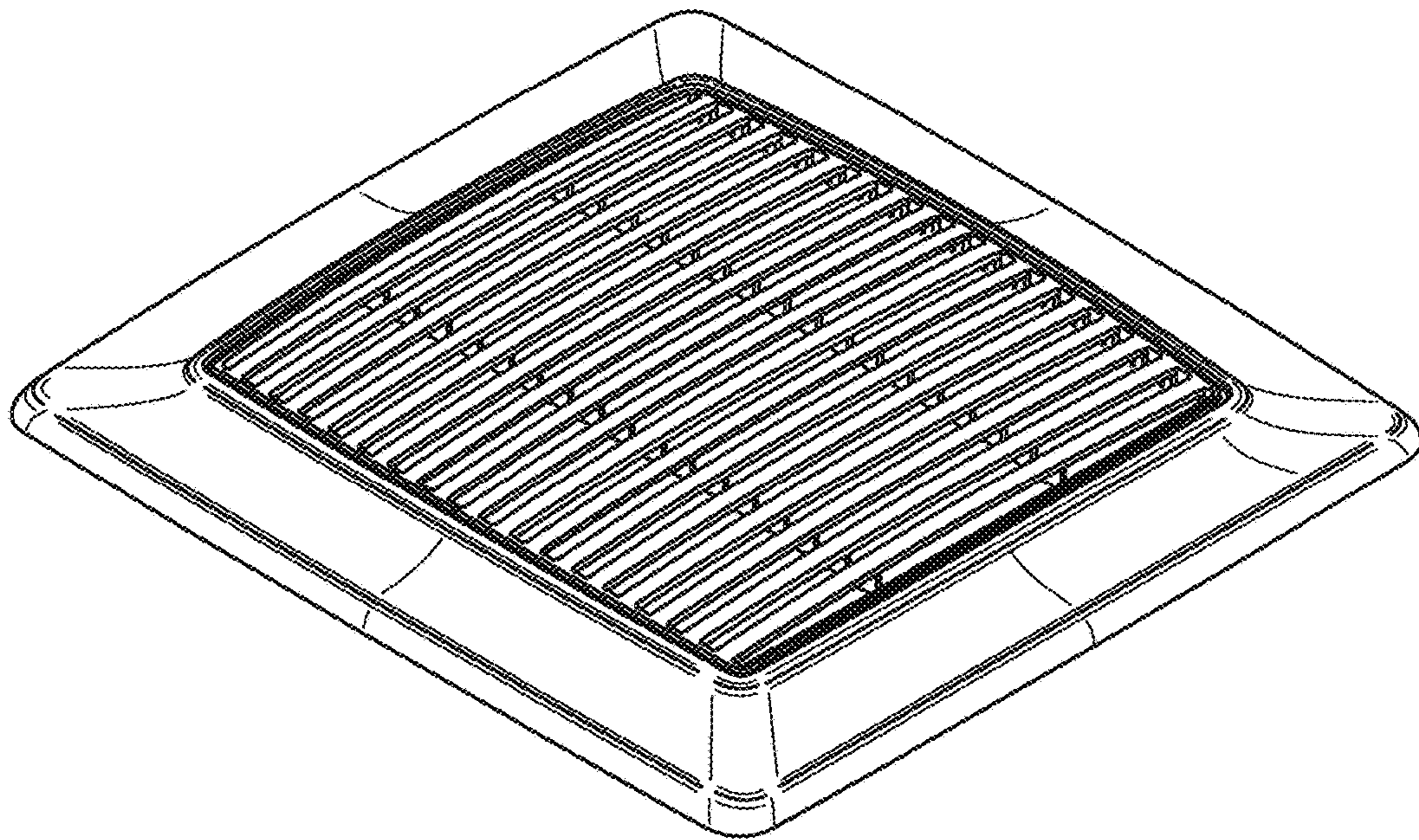


FIG. 1

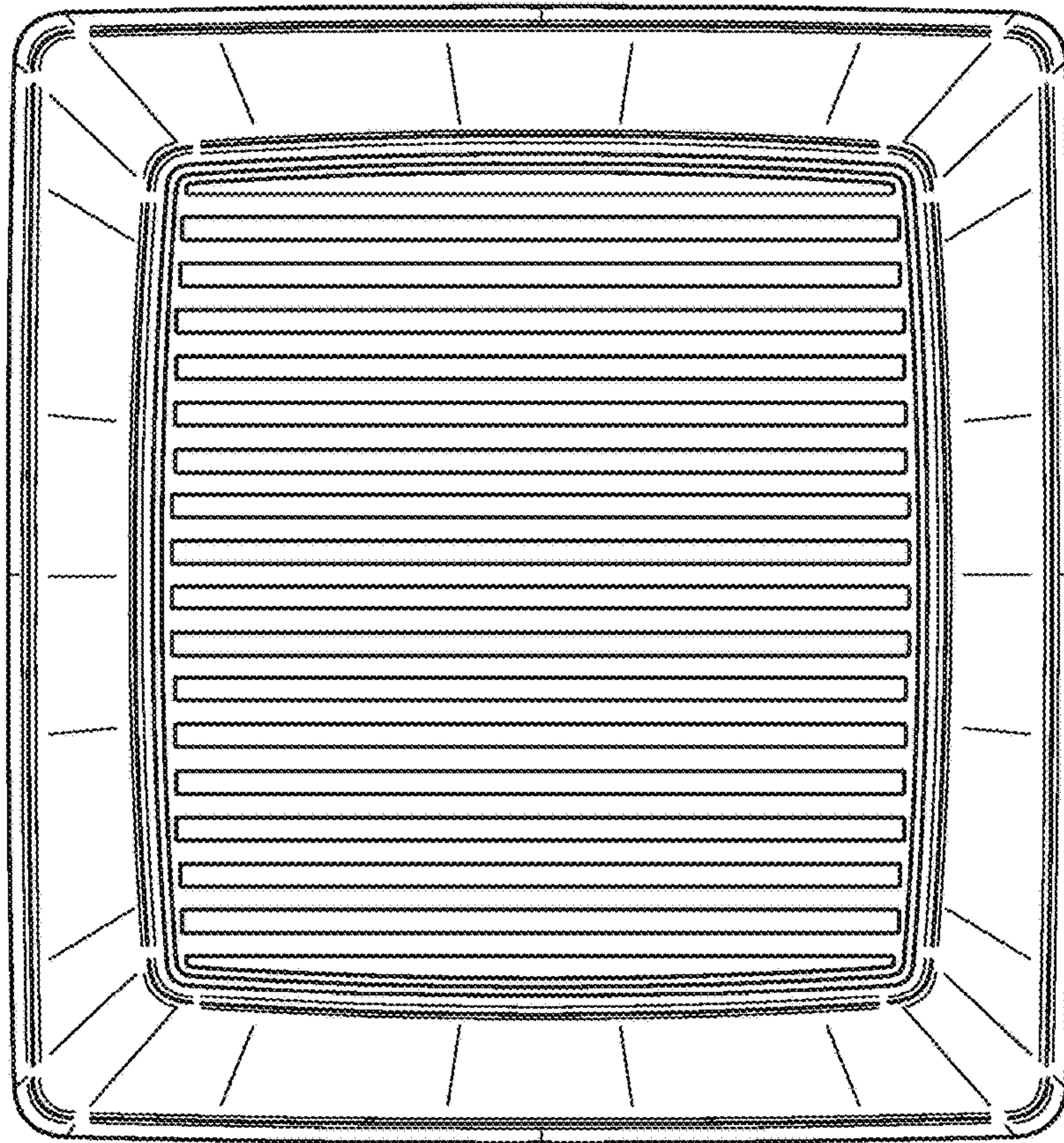


FIG. 2

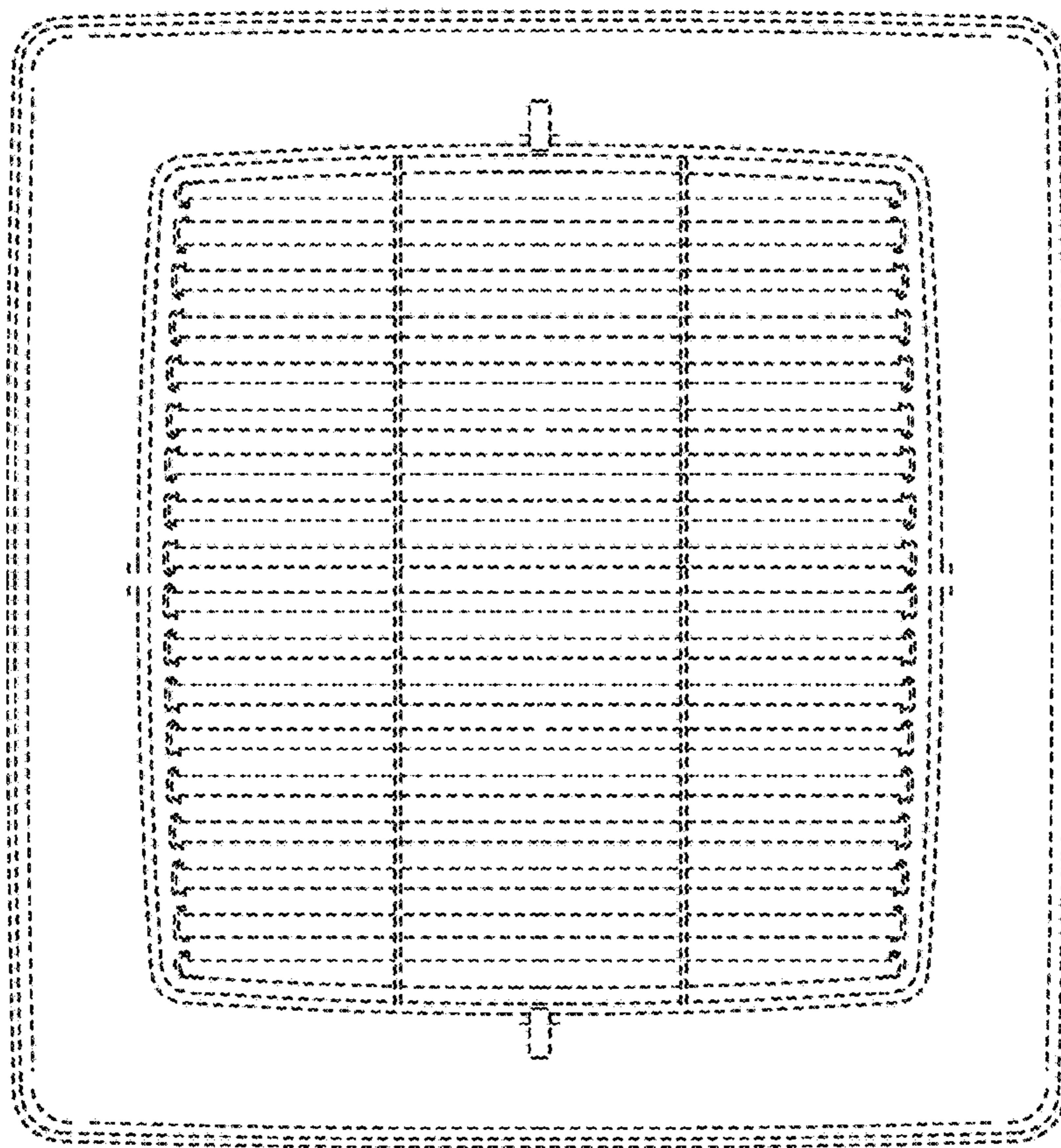


FIG. 3

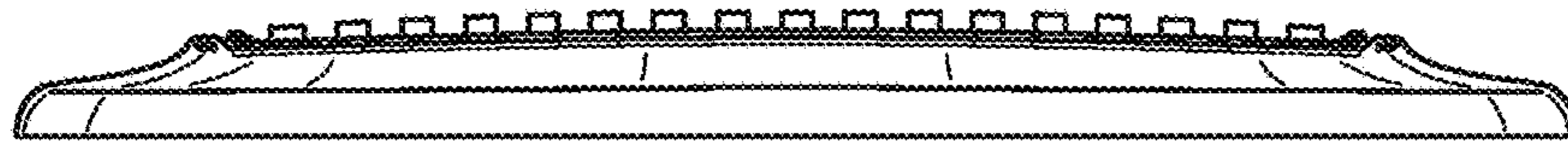


FIG. 4



FIG. 5