



US00D816203S

(12) **United States Design Patent** (10) **Patent No.:** **US D816,203 S**
Valentino et al. (45) **Date of Patent:** **** Apr. 24, 2018**

(54) **FRAGRANCE DIFFUSER BULB**
(71) Applicant: **Bath & Body Works Brand Management, Inc.**, Reynoldsburg, OH (US)

1,605,778 A * 11/1926 Riley F21S 6/002 362/412
D82,481 S * 11/1930 Collins D26/153
D102,532 S 12/1936 Vuilleminot
D143,231 S * 12/1945 Mankki D11/154
D187,244 S 2/1960 Morris
D187,960 S 5/1960 Marina

(72) Inventors: **Heidi Valentino**, New York, NY (US);
Kathryn Ludwig, Brooklyn, NY (US)

(Continued)

(73) Assignee: **Bath & Body Works Brand Management, Inc.**, Reynoldsburg, OH (US)

OTHER PUBLICATIONS

ABA Packaging Corporation Catalog, ABA Packaging Corp., Holtsville, NY, 2004, p. 25.*

(**) Term: **15 Years**

(Continued)

(21) Appl. No.: **29/598,522**

Primary Examiner — Ian Simmons
Assistant Examiner — Keith Frank

(22) Filed: **Mar. 27, 2017**

(74) *Attorney, Agent, or Firm* — Andrus Intellectual Property Law, LLP

Related U.S. Application Data

(62) Division of application No. 29/536,460, filed on Aug. 17, 2015, now Pat. No. Des. 790,051.

(51) **LOC (11) Cl.** **28-99**

(52) **U.S. Cl.**
USPC **D23/366**; D23/386

(58) **Field of Classification Search**
USPC D9/500, 516, 519, 530, 538, 540–542, D9/544–546, 549, 551, 556, 558, 571, D9/715, 719; D28/5, 7; D27/162; D4/114, 116; D23/366, 385, 386; D99/5; D11/152, 153; D26/2
CPC A24F 1/30; B65D 1/0223; B65D 13/02; B65D 11/04; B65D 1/0276; A47G 19/12; A47G 7/06

See application file for complete search history.

(56) **References Cited**

U.S. PATENT DOCUMENTS

D18,685 S 10/1888 Atterbury
D62,399 S 5/1923 Javal

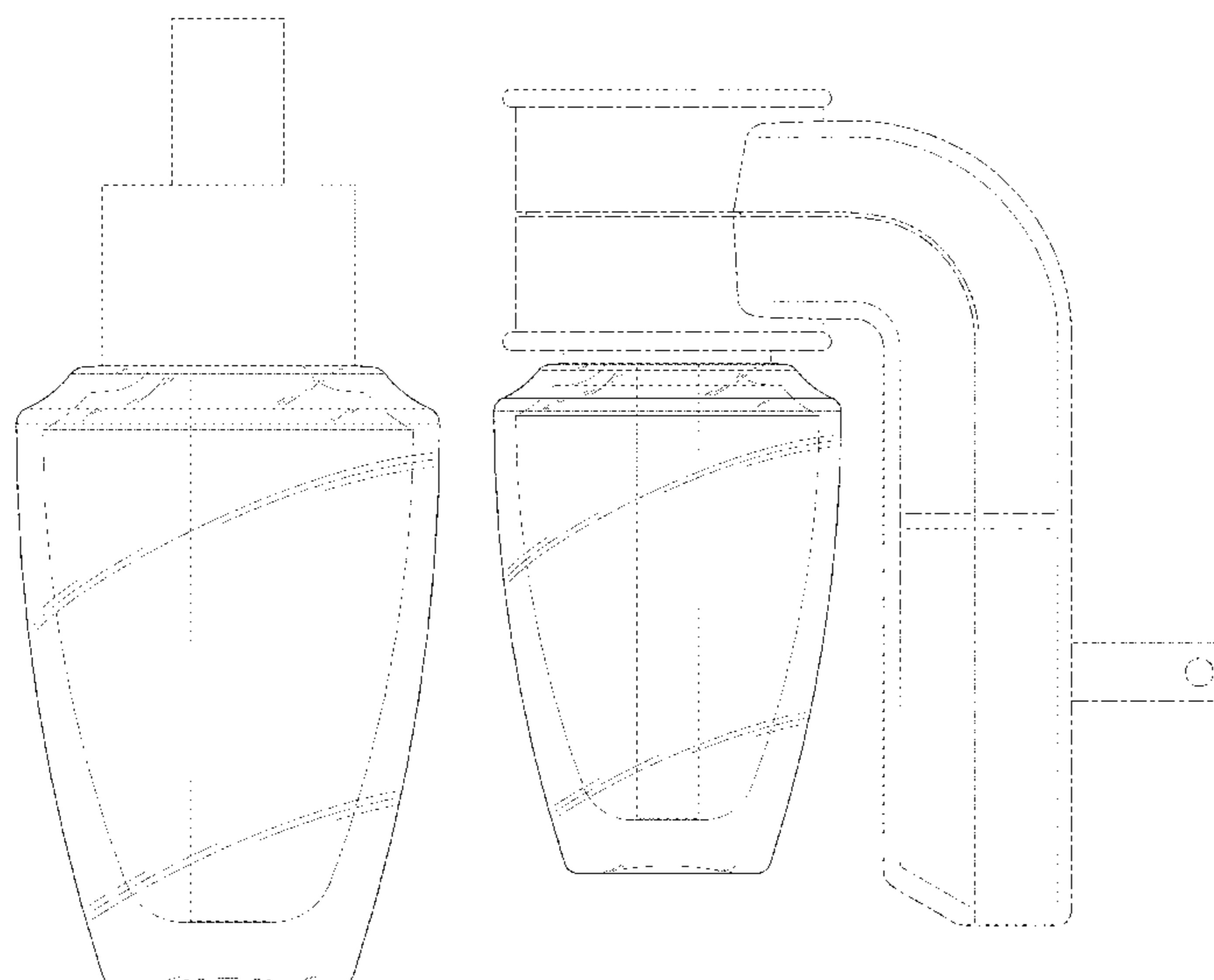
(57) **CLAIM**

The ornamental design for a fragrance diffuser bulb, as shown and described.

DESCRIPTION

FIG. 1 is a perspective view of our new and ornamental design for a fragrance diffuser bulb;
FIG. 2 is a front elevation view thereof, wherein the rear elevation view, the left side elevation view, and the right side elevation view are identical to the front elevation view;
FIG. 3 is a top view thereof;
FIG. 4 is a bottom view thereof; and,
FIG. 5 is a right side view thereof, showing the fragrance diffuser bulb in use with an electrical fragrance diffuser. The evenly dashed broken lines in FIGS. 1-5 illustrate portions of the fragrance diffuser bulb that form no part of the claimed design. The dash-dot-dash broken lines in FIG. 5 illustrate environmental subject matter of the fragrance diffuser bulb that forms no part of the claimed design.

1 Claim, 4 Drawing Sheets



(56)

References Cited

U.S. PATENT DOCUMENTS

3,524,280 A * 8/1970 McKinnon A47G 7/06
220/660
3,965,902 A * 6/1976 Reilly A61M 1/0001
141/59
D283,596 S * 4/1986 Fortuna D7/510
D289,559 S * 4/1987 Manton D26/110
D314,136 S 1/1991 Malvoisin
D326,411 S 5/1992 Wefler
D336,036 S 6/1993 Wacker
D344,236 S 2/1994 Drounau
D362,187 S * 9/1995 Thompson D9/500
D362,646 S * 9/1995 Rahr D11/152
D377,903 S 2/1997 Grenier et al.
D389,944 S * 1/1998 Hutton D26/110
D400,442 S * 11/1998 Nosella D9/500
D430,659 S 9/2000 Zaragoza et al.
6,236,807 B1 5/2001 Ruffolo et al.
D463,290 S 9/2002 Wiggins et al.
D497,422 S 10/2004 Wirthman et al.
D498,780 S 11/2004 Su et al.
D510,271 S 10/2005 Mero et al.
D515,933 S 2/2006 Mero et al.
D522,119 S 5/2006 Baraky et al.
D530,210 S 10/2006 Chisholm
D532,314 S 11/2006 Todd
7,228,981 B2 6/2007 Chisholm
D553,504 S 10/2007 Goto et al.
7,277,626 B2 10/2007 Pesu et al.
D559,694 S 1/2008 Le Bras-Brown et al.
D567,660 S 4/2008 Gautier
D583,038 S 12/2008 Kay et al.
D588,252 S * 3/2009 Conway D11/152
D603,709 S 11/2009 Lepoitevin
RE41,055 E 12/2009 Choke-arpornchai et al.
D606,643 S 12/2009 Butler et al.
D619,464 S 7/2010 Langley et al.
D631,355 S * 1/2011 Barsoumian D9/500
D631,356 S * 1/2011 Barsoumian D9/500
D631,756 S * 2/2011 DeMarco D9/691
D633,192 S 2/2011 Valentino et al.
D642,923 S 8/2011 Newton

D642,924 S 8/2011 Newton
D643,296 S 8/2011 Newton
D643,724 S 8/2011 Donnelly et al.
D647,608 S 10/2011 Young et al.
D649,478 S 11/2011 Kim
D656,681 S 3/2012 Reisler
D657,040 S 4/2012 Young et al.
D662,652 S 6/2012 Browder
8,301,019 B2 10/2012 Smith et al.
D672,861 S 12/2012 Adair et al.
D672,862 S 12/2012 Adair et al.
D683,067 S 5/2013 Wanders
D686,721 S 7/2013 Wirz
D694,587 S 12/2013 Slocumb et al.
D718,182 S * 11/2014 Woltz D11/145
D730,189 S * 5/2015 Haile D4/116
D731,916 S * 6/2015 Kasha A47G 7/06
D11/153
D738,734 S 9/2015 Cripe et al.
D738,779 S * 9/2015 Kasha A47G 7/06
D11/153
D742,234 S 11/2015 Cripe et al.
D747,967 S * 1/2016 Lozano Domenech D9/500
D763,699 S 8/2016 Rasgon
D763,700 S 8/2016 Rasgon
D764,298 S 8/2016 Gordon et al.

OTHER PUBLICATIONS

Shany Cosmetics, "The Cosmopolitan Nail Polish Set", web page, available at least as early as Sep. 19, 2012, available at <https://www.amazon.com/SHANY-Cosmetics-Cosmopolitan-Premium-Quality/dp/B005X2F7JY>, last accessed Oct. 23, 2017.
ABA Packaging Corporation, product catalog, pp. 2-37 and 50-53, download available via <http://www.abapackaging.com/mailling-list.html>, last accessed Oct. 19, 2017.
ABA Packaging Corporation, Renee Bottle, archived web page from Aug. 21, 2004, available at <https://www.web.archive.org/web/20040821071345/http://www.abapackaging.com:80/renee.htm>.
Bath & Body Works, Wallflower Bulb, available at least as early as Aug. 16, 2014.

* cited by examiner

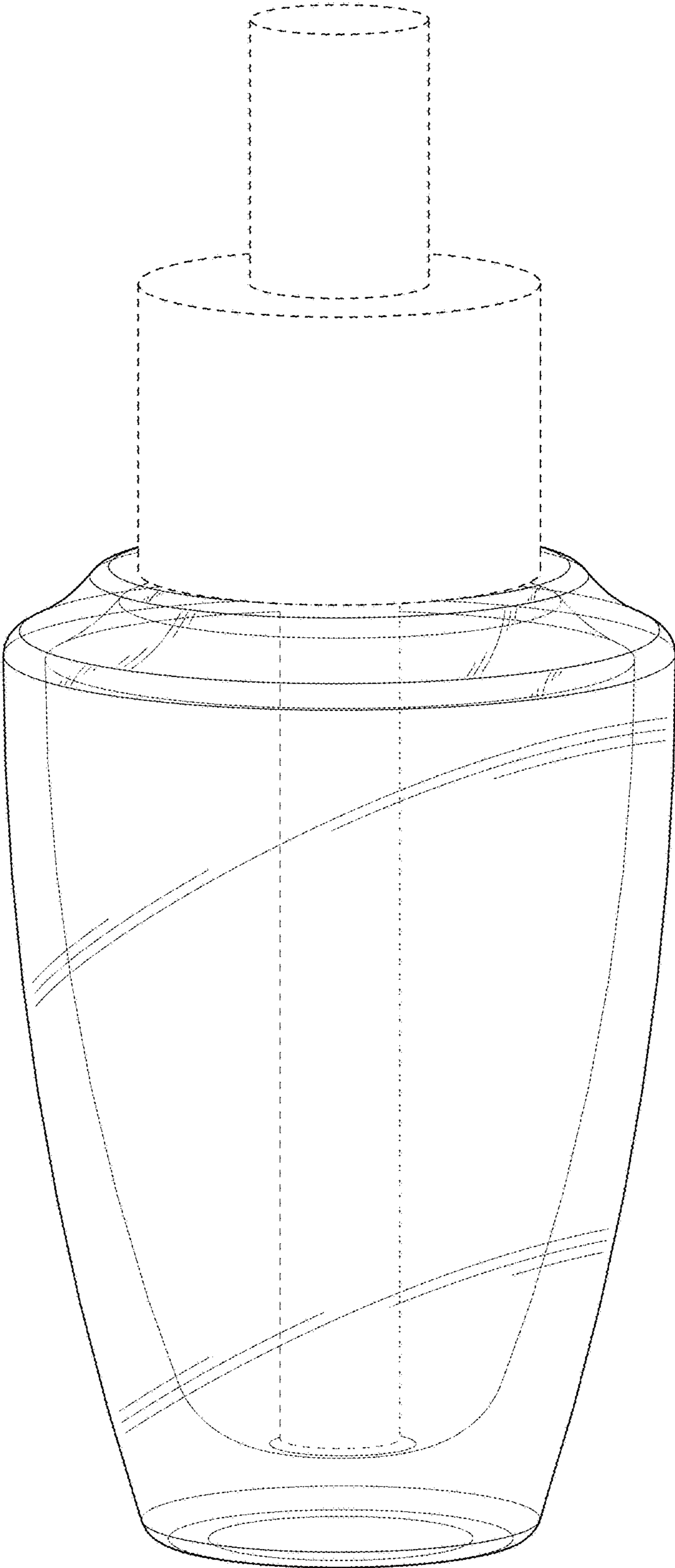


FIG. 1

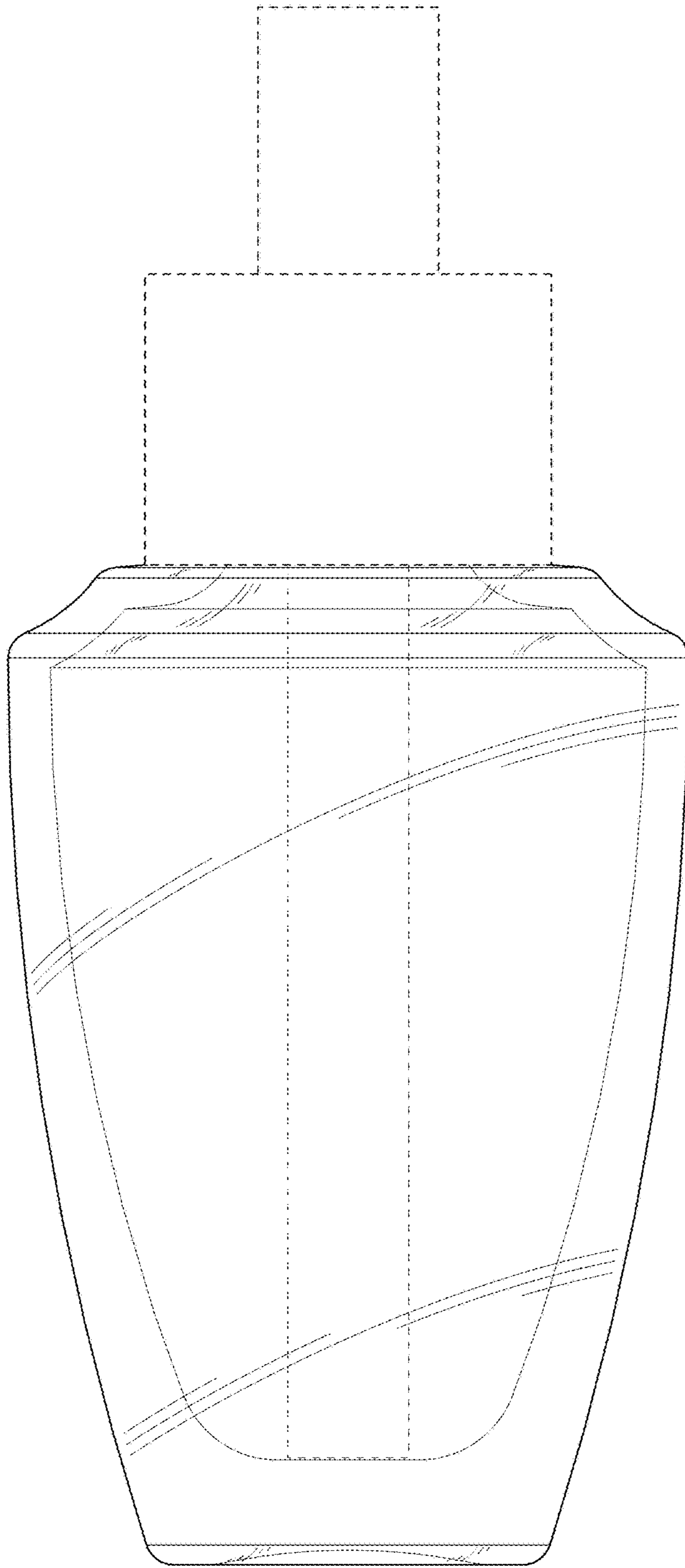


FIG. 2

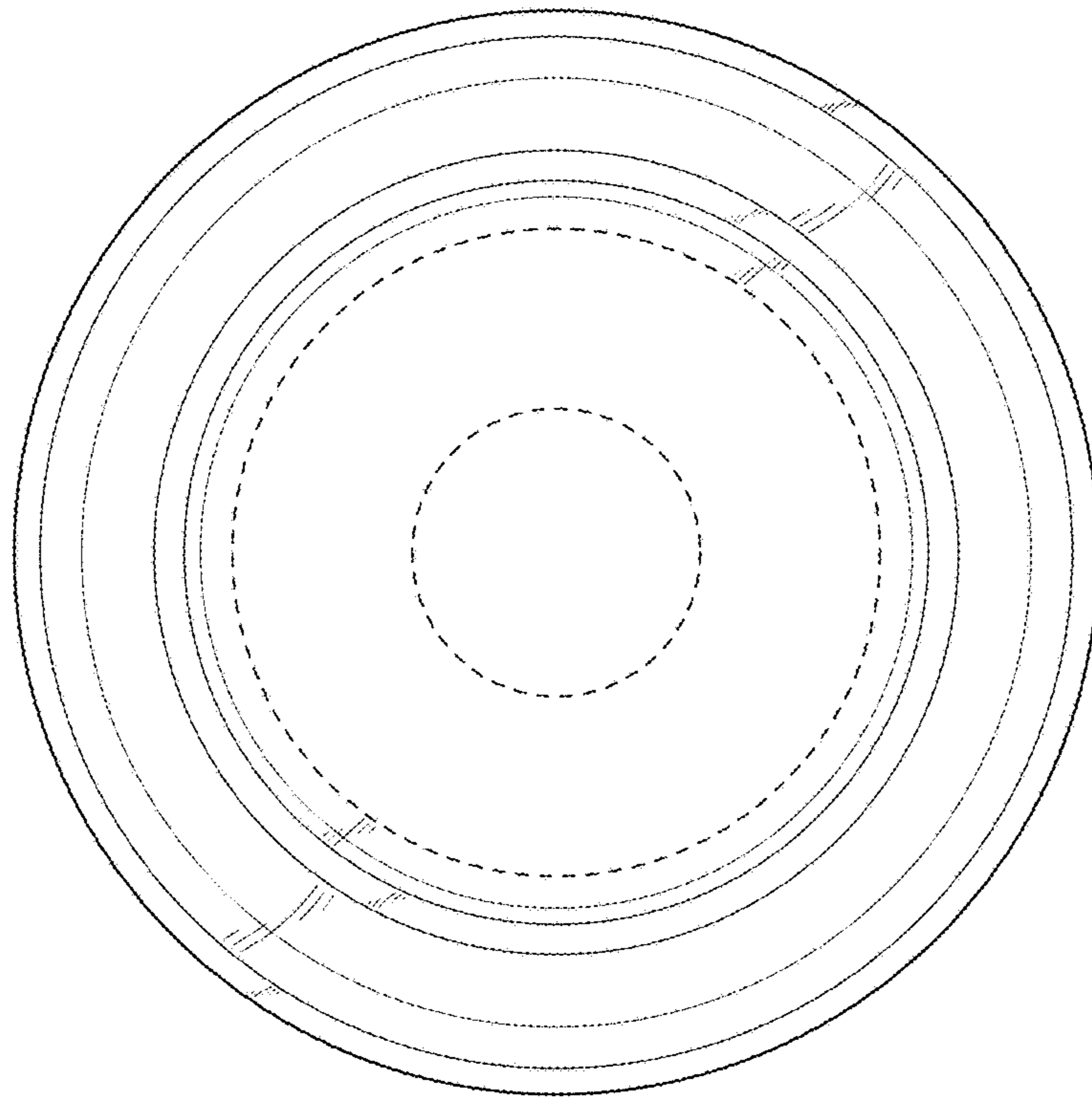


FIG. 3

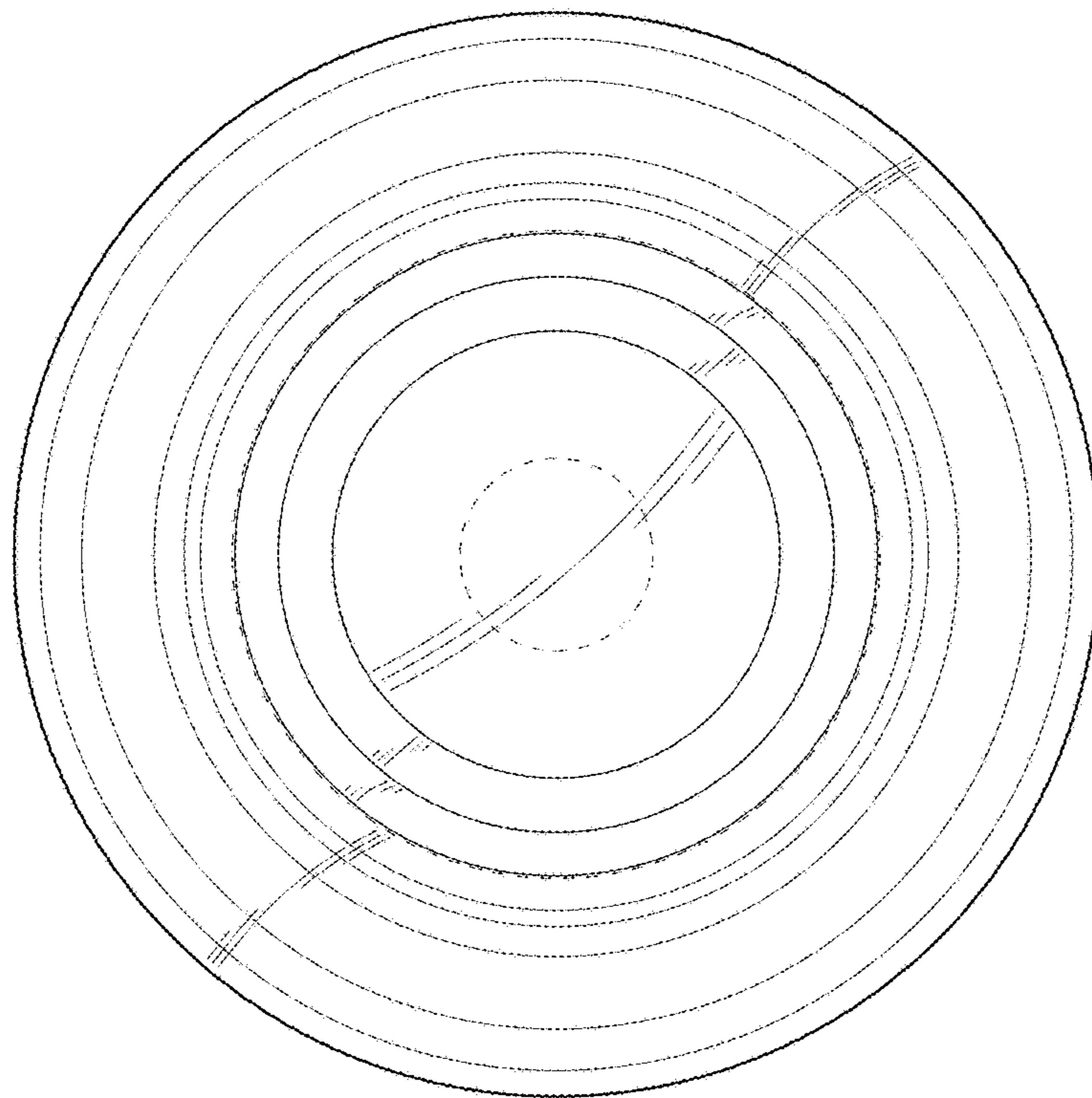


FIG. 4

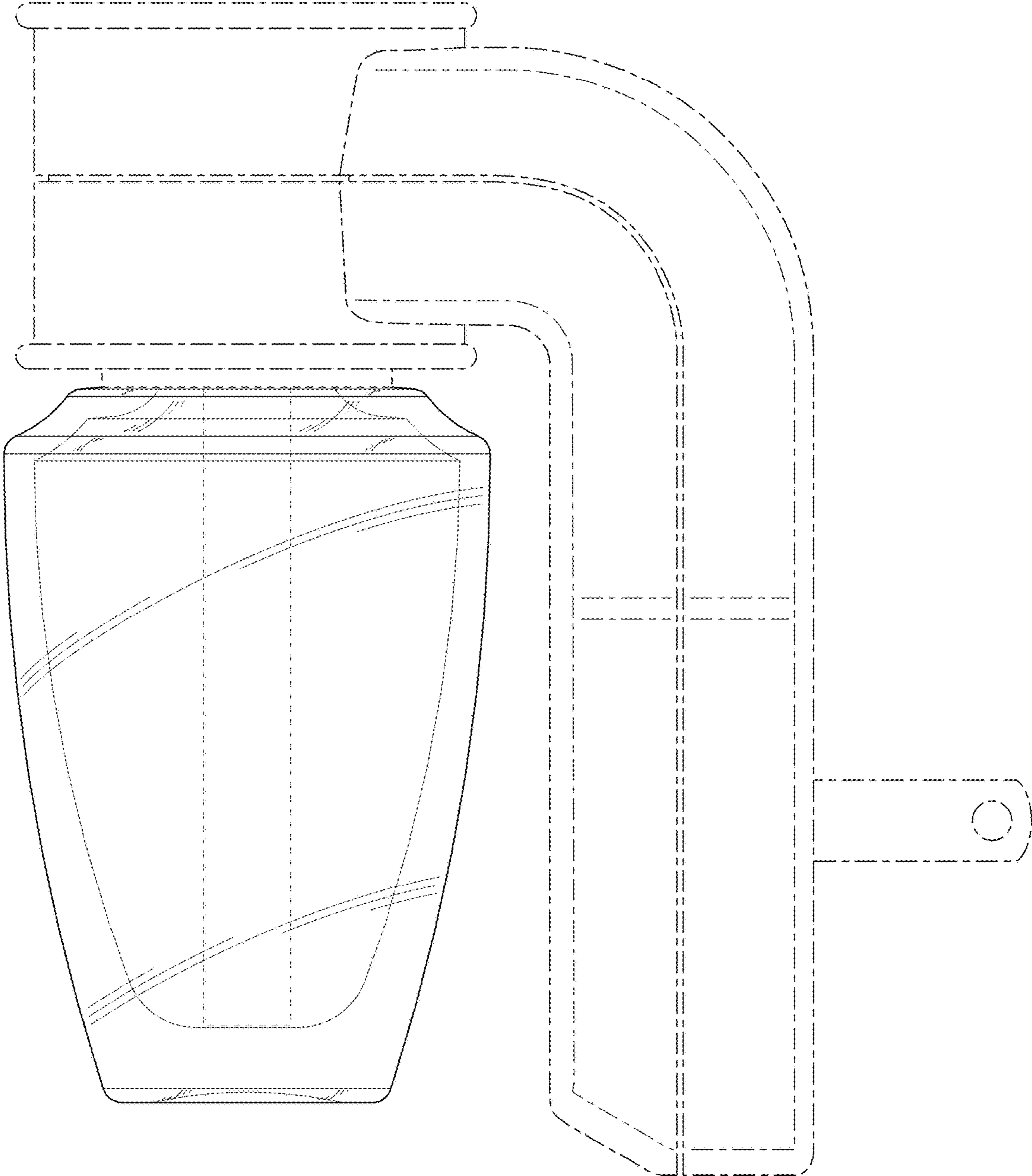


FIG. 5