



US00D816200S

(12) **United States Design Patent**
Hu

(10) **Patent No.:** **US D816,200 S**
(45) **Date of Patent:** **** Apr. 24, 2018**

(54) **HUMIDIFIER**

(71) Applicant: **Yangmin Hu**, Guangzhou (CN)

(72) Inventor: **Yangmin Hu**, Guangzhou (CN)

(**) Term: **15 Years**

(21) Appl. No.: **29/592,027**

(22) Filed: **Jan. 26, 2017**

(30) **Foreign Application Priority Data**

Jan. 18, 2017 (CN) 2017 3 0018623

(51) **LOC (11) Cl.** **23-04**

(52) **U.S. Cl.**
USPC **D23/356**

(58) **Field of Classification Search**

USPC D23/355, 356, 357-366, 352, 369, 332,
D23/333, 335, 336, 342, 351, 367

CPC .. A61L 9/16; A61L 9/22; B01D 47/00; B01D
47/027; B01D 2221/02; B01D 2259/4508;
B03C 3/155; B03C 3/368; F24F 3/16;
F24F 13/20; F24F 13/28; F24F
2001/0096; F24F 3/1405; F24F 3/1603
See application file for complete search history.

(56) **References Cited**

U.S. PATENT DOCUMENTS

D483,458 S * 12/2003 Huang D23/356
D500,847 S * 1/2005 Manke D23/356

D682,406 S * 5/2013 Yeom D23/356
D707,338 S * 6/2014 Ediger D23/356
D732,654 S * 6/2015 Hsiao D23/366
D733,859 S * 7/2015 Hsiao D23/366
D801,503 S * 10/2017 Reed D23/356
2012/0222548 A1* 9/2012 Lev F24F 6/12
95/1

* cited by examiner

Primary Examiner — Rosemary K Tarcza

Assistant Examiner — Christy Nemeth

(74) *Attorney, Agent, or Firm* — Gokalp Bayramoglu

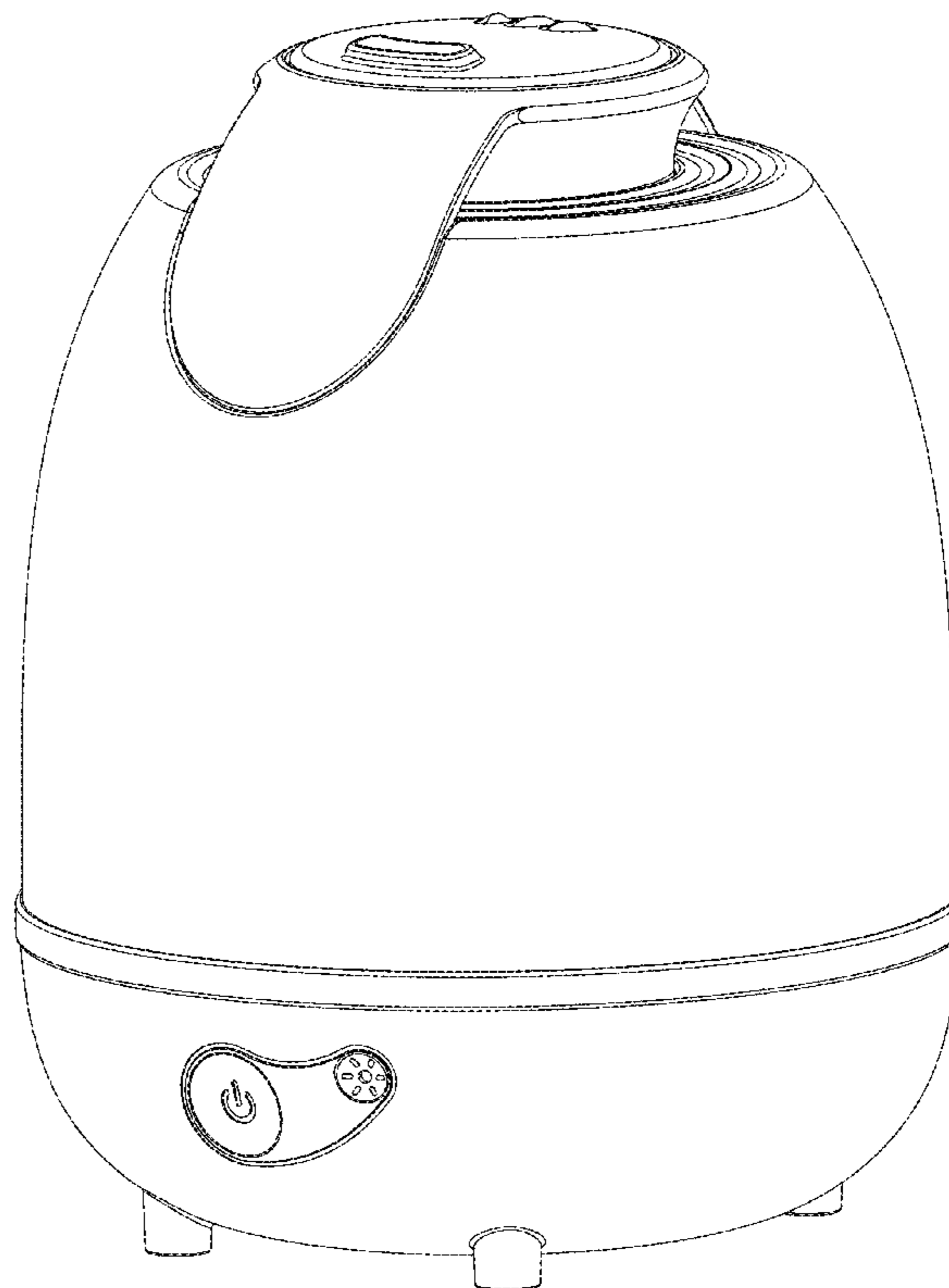
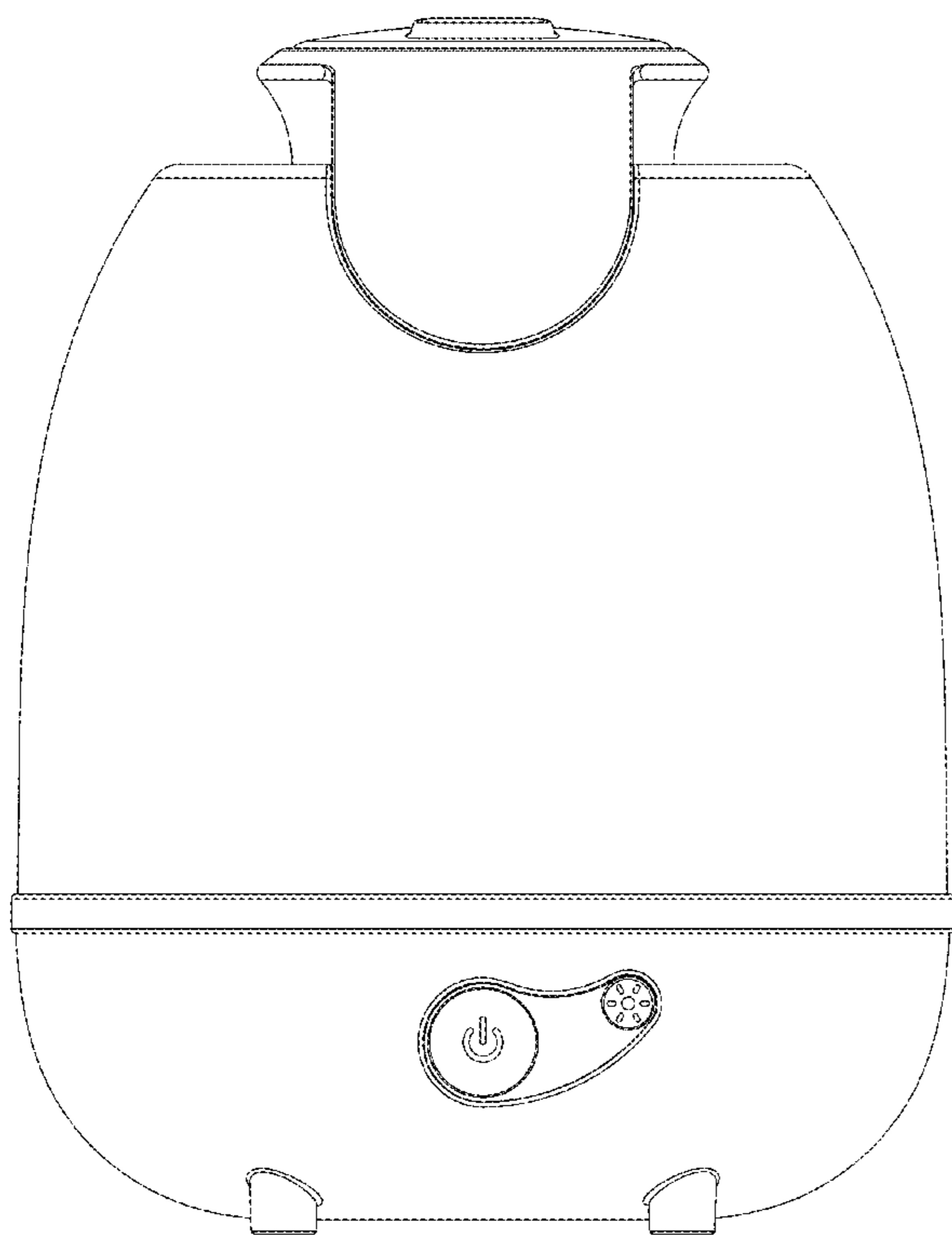
(57) **CLAIM**

The ornamental design for a humidifier, as shown and described.

DESCRIPTION

FIG. 1 is a left side view of a humidifier new design;
FIG. 2 is a front view thereof;
FIG. 3 is a right side view thereof;
FIG. 4 is a rear view thereof;
FIG. 5 is a top view thereof;
FIG. 6 is a bottom view thereof; and,
FIG. 7 is a front perspective view thereof.
The broken lines in the drawings are for the purpose of illustrating portions of the humidifier that form no part of the claimed design.

1 Claim, 7 Drawing Sheets



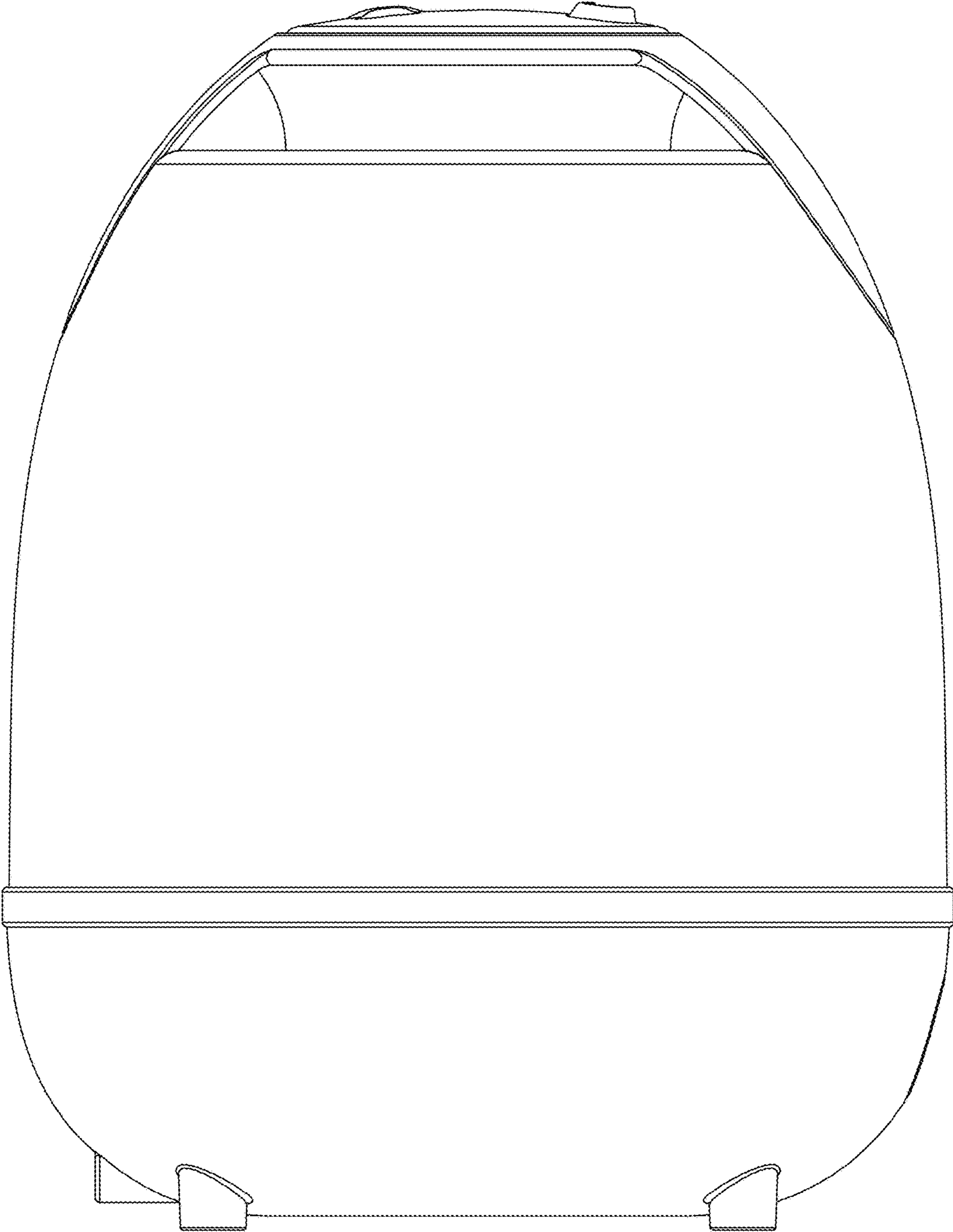


Fig. 1

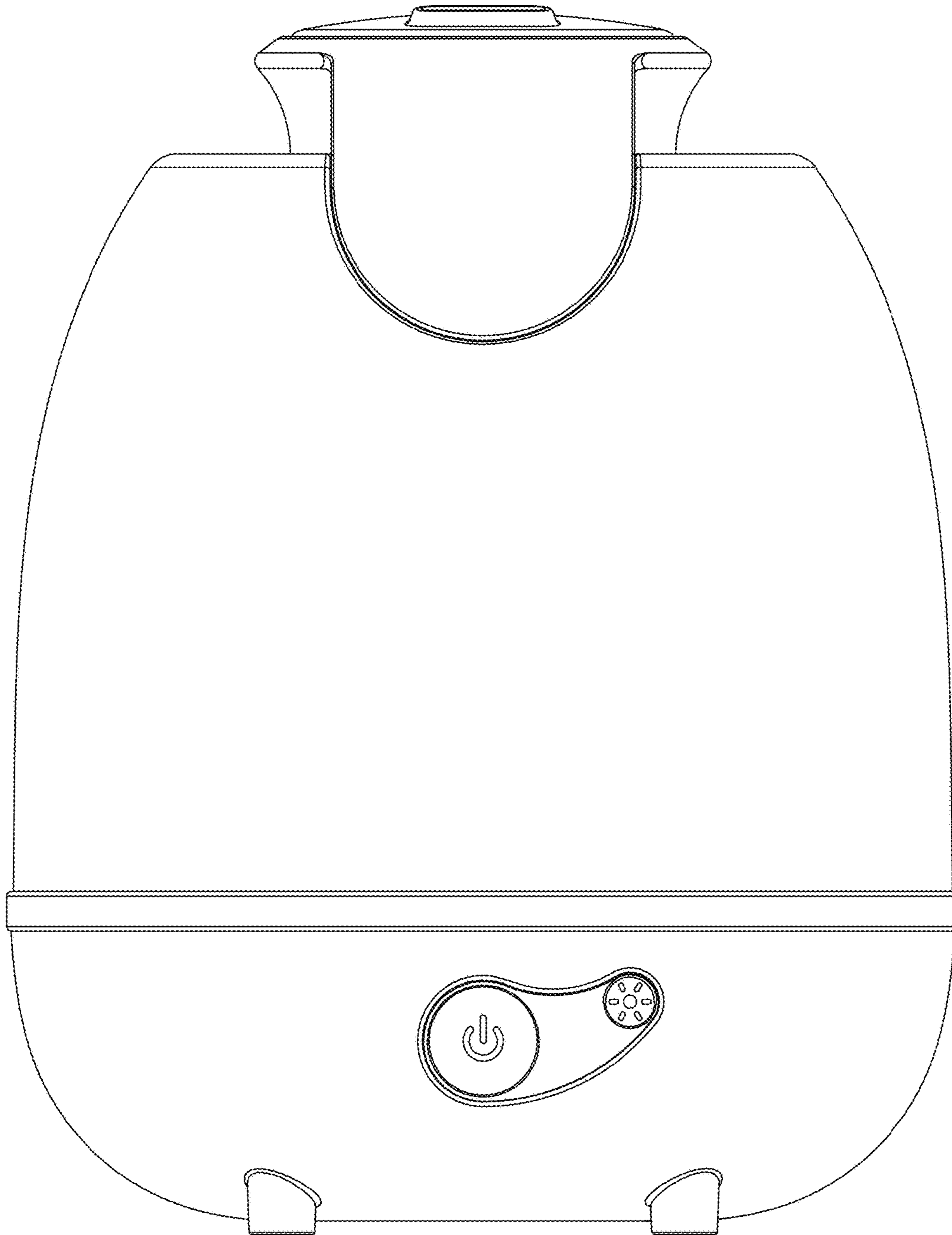


Fig. 2

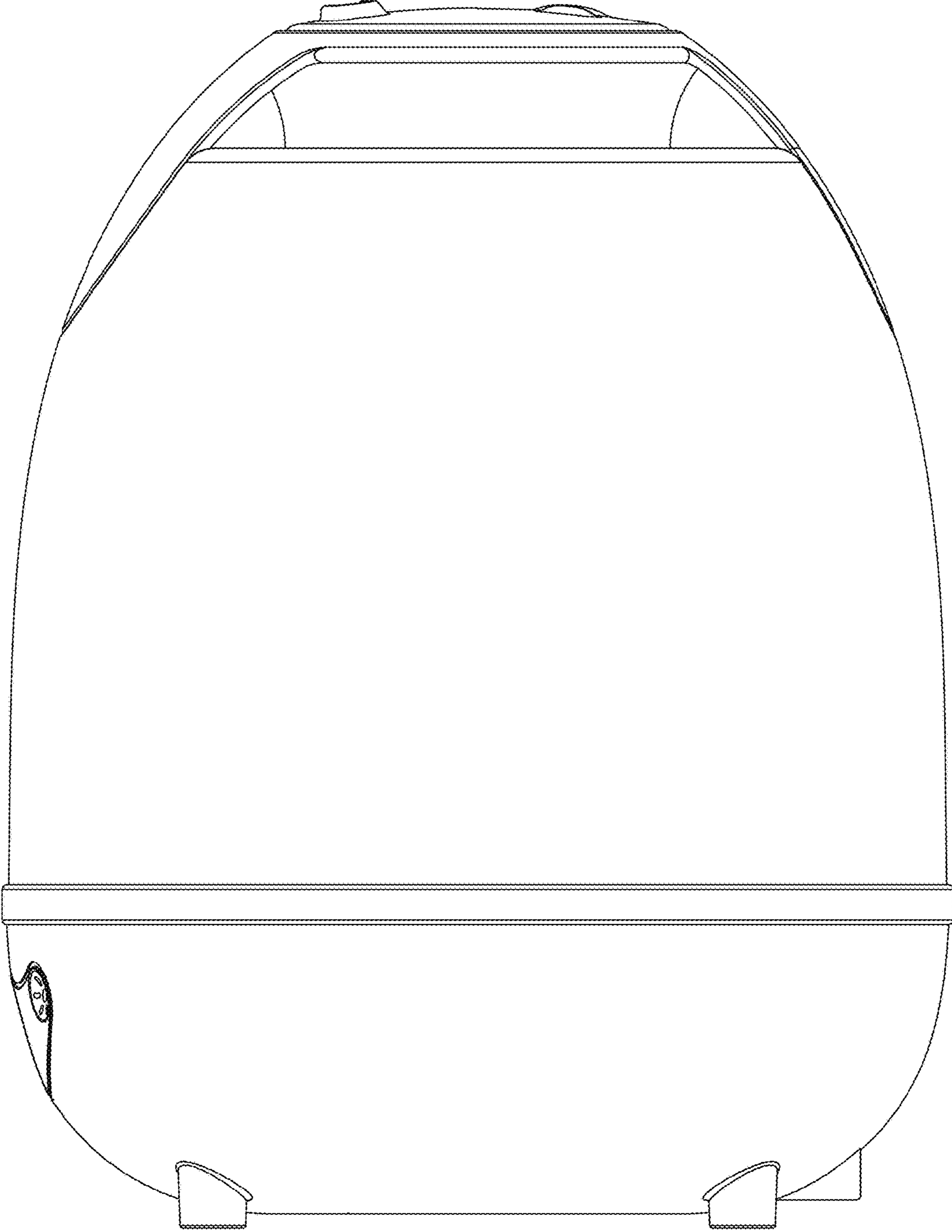


Fig. 3

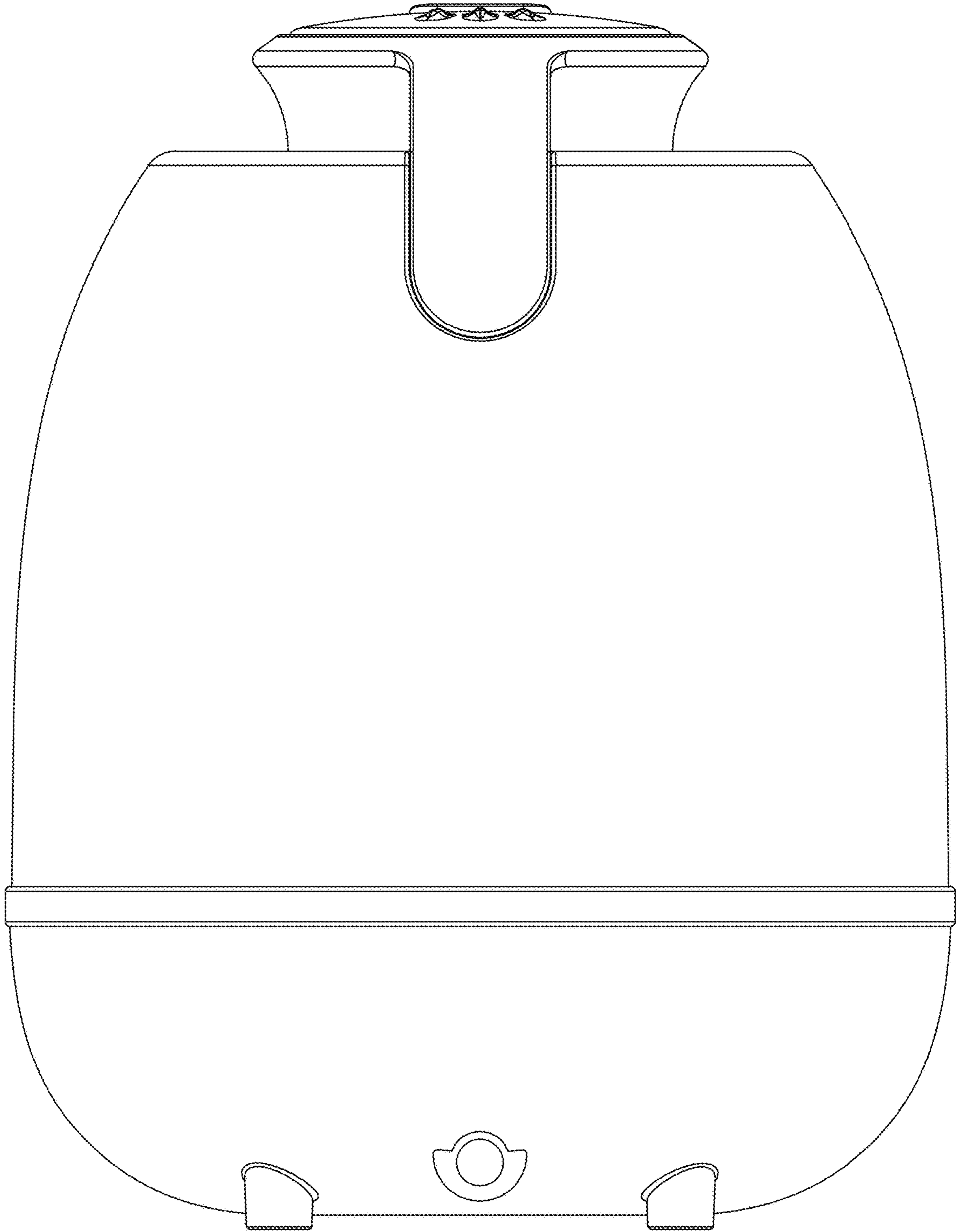


Fig. 4



Fig. 5

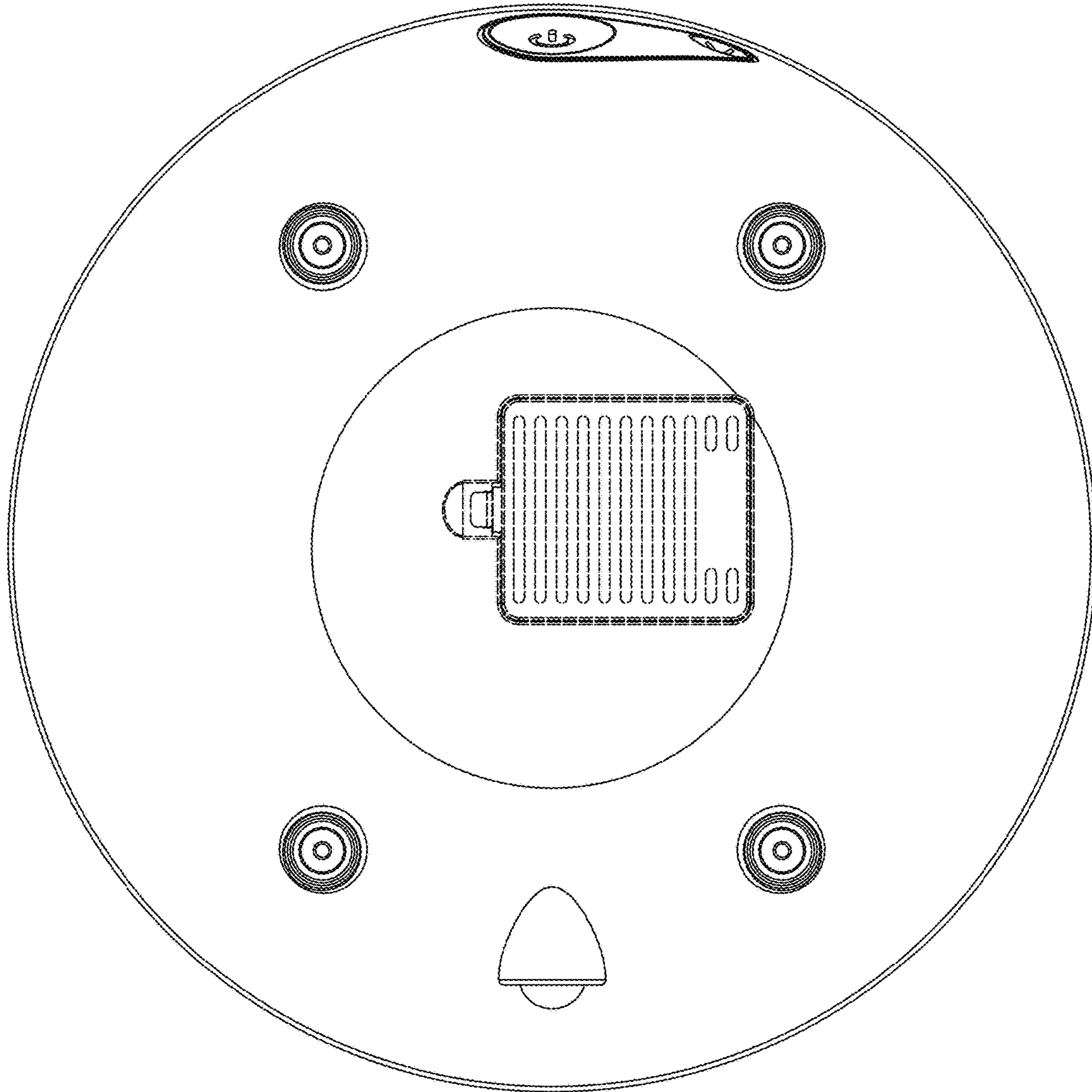


Fig. 6

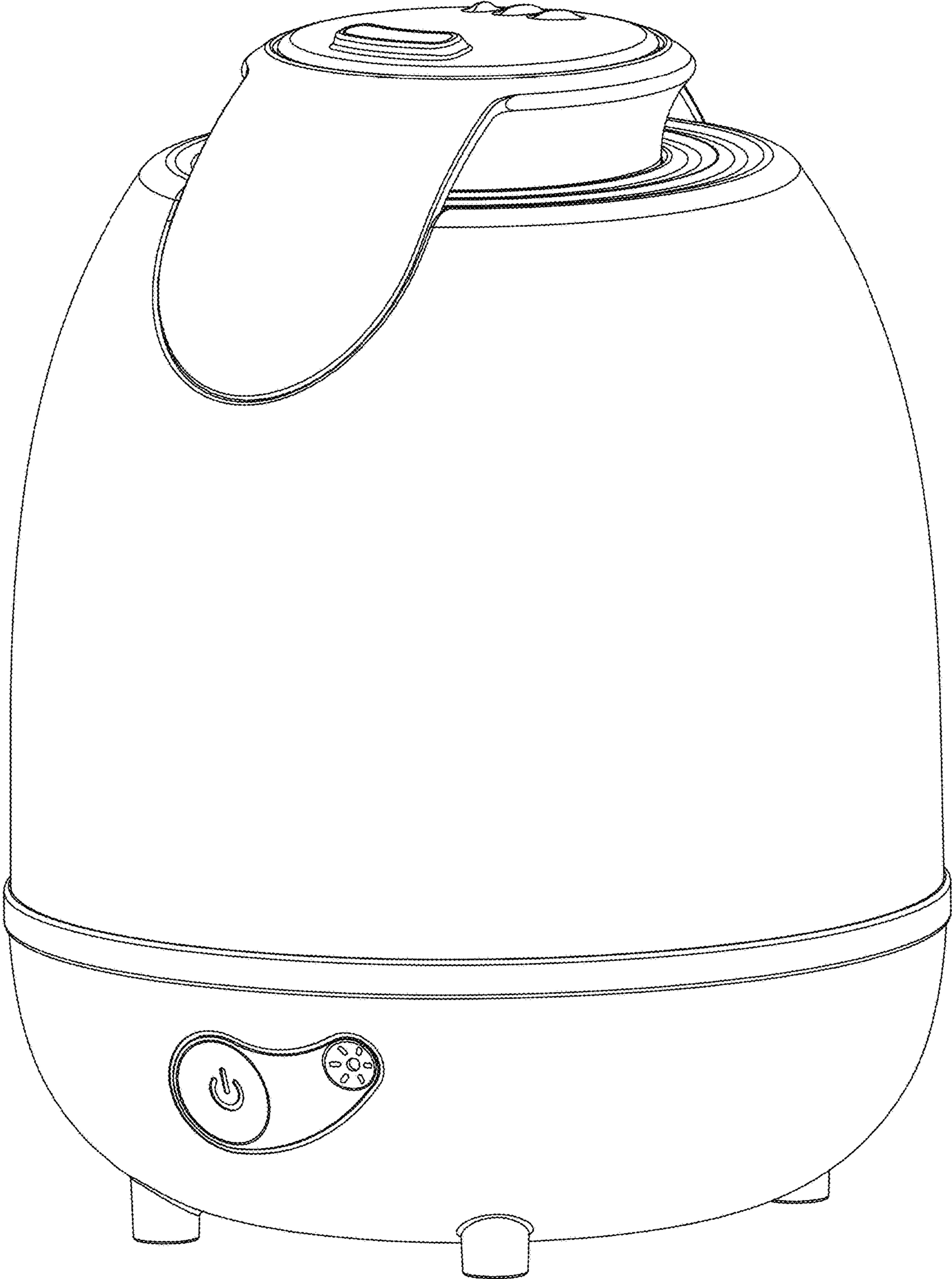


Fig. 7