



US00D816198S

(12) **United States Design Patent**
Newman

(10) **Patent No.:** **US D816,198 S**
(45) **Date of Patent:** **** Apr. 24, 2018**

(54) **THERMOELECTRIC HEAT PUMP**

FOREIGN PATENT DOCUMENTS

(71) Applicant: **Phononic, Inc.**, Durham, NC (US)

JP 09139525 A 5/1997

(72) Inventor: **Devon Newman**, Morrisville, NC (US)

OTHER PUBLICATIONS

(73) Assignee: **Phononic, Inc.**, Durham, NC (US)

Decision of Registration and Notification for Japanese Design Patent Application No. 2015-014832, dated Nov. 10, 2015, 4 pages.

(**) Term: **14 Years**

(Continued)

(21) Appl. No.: **29/515,980**

Primary Examiner — T. Chase Nelson

(22) Filed: **Jan. 28, 2015**

Assistant Examiner — Ania Aman

(51) **LOC (11) Cl.** **23-03**

(74) *Attorney, Agent, or Firm* — Withrow & Terranova, PLLC

(52) **U.S. Cl.**
USPC **D23/314**

(57) **CLAIM**

(58) **Field of Classification Search**
USPC D23/314, 322, 323, 329, 341
CPC H05K 7/20418; H05K 7/20427; H05K
7/20509; H01L 35/32

The ornamental design for a thermoelectric heat pump, as shown and described.

See application file for complete search history.

DESCRIPTION

(56) **References Cited**

FIG. 1 is an upper perspective view of a thermoelectric heat pump showing our new design;

U.S. PATENT DOCUMENTS

2011/0297203	A1*	12/2011	Salvador	H01L 35/34 136/239
2012/0073309	A1*	3/2012	Hung	F25B 21/02 62/3.3
2012/0325280	A1*	12/2012	Akiyama	H01L 35/32 136/200
2013/0032189	A1*	2/2013	Moczygemba	B23K 1/0016 136/224
2013/0087180	A1*	4/2013	Stark	H01L 35/32 136/205
2013/0199593	A1*	8/2013	Higashida	H01L 35/08 136/230
2013/0227966	A1*	9/2013	Ayres	F25B 21/02 62/3.2
2013/0269744	A1*	10/2013	Maeshima	H01L 35/32 136/212

FIG. 2 is a lower perspective view of the thermoelectric heat pump;

FIG. 3 is a top plan view of the thermoelectric heat pump;

FIG. 4 is a bottom plan view of the thermoelectric heat pump;

FIG. 5 is a left side elevation view of the thermoelectric heat pump;

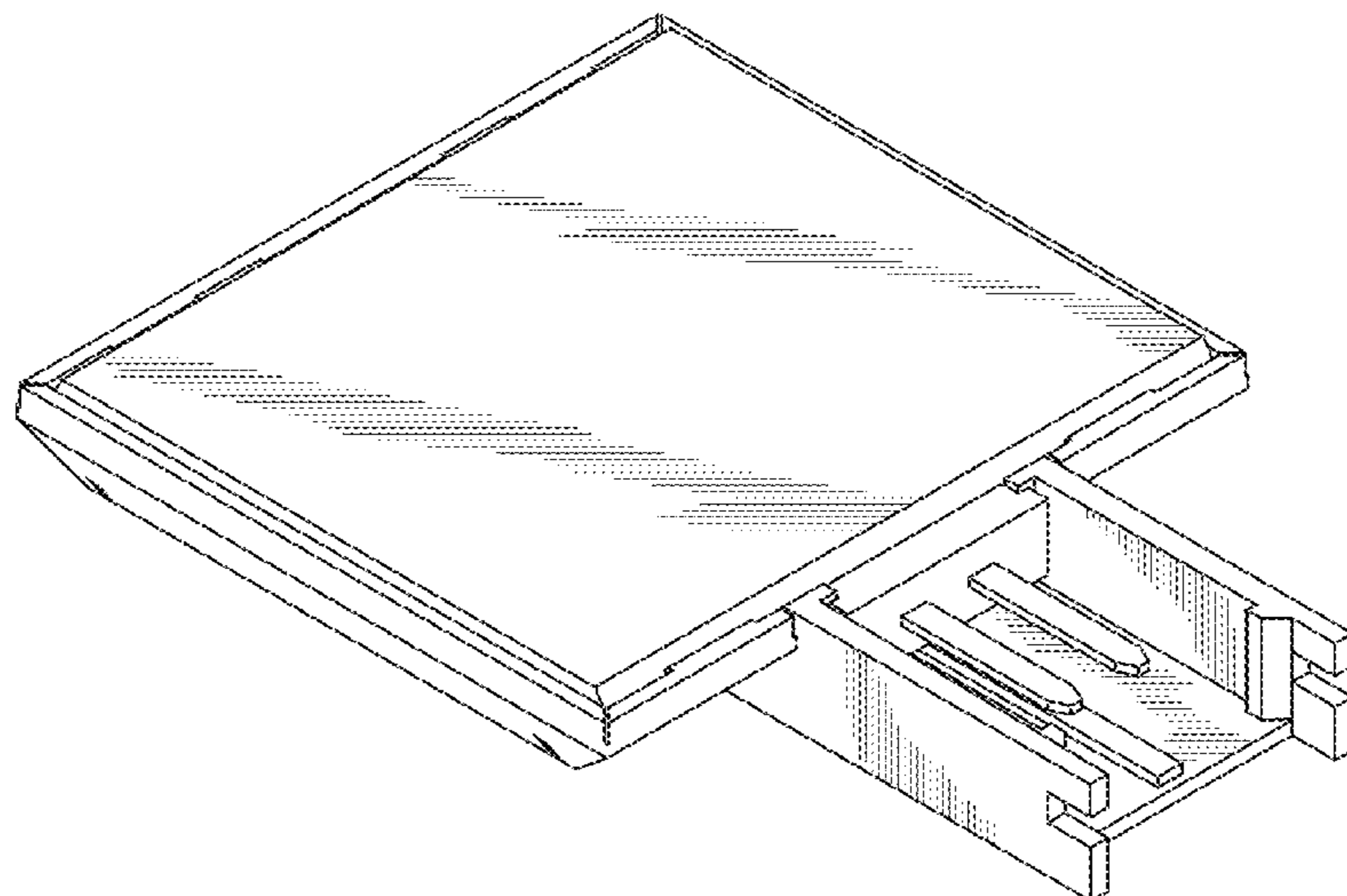
FIG. 6 is a right side elevation view of the thermoelectric heat pump;

FIG. 7 is a rear elevation view of the thermoelectric heat pump; and,

FIG. 8 is a front elevation view of the thermoelectric heat pump.
Throughout the Figures, the dashed broken lines are included for the purpose of illustrating environment of the design and form no part of the claimed design.

(Continued)

1 Claim, 8 Drawing Sheets



(56)

References Cited

U.S. PATENT DOCUMENTS

2013/0284228 A1* 10/2013 Toyota H01L 35/32
 136/225
 2014/0096808 A1* 4/2014 Moczygemba H01L 35/30
 136/205
 2014/0246067 A1* 9/2014 Hoppe H01L 35/08
 136/225
 2014/0338714 A1* 11/2014 Gille H01L 35/32
 136/205
 2015/0013740 A1* 1/2015 Kaibe H01L 35/325
 136/212
 2015/0068575 A1* 3/2015 Komitsu F01N 5/025
 136/212
 2015/0116943 A1* 4/2015 Olsson H01L 35/32
 361/708
 2015/0171302 A1* 6/2015 Himmer H01L 35/32
 136/205
 2015/0204585 A1* 7/2015 Won F25B 21/02
 136/203

2015/0303365 A1* 10/2015 Tominaga H01L 35/30
 136/210
 2016/0156285 A1* 6/2016 Elgezabal Gomez . B64D 41/00
 310/306
 2016/0163947 A1* 6/2016 Lee H01L 35/30
 136/205

OTHER PUBLICATIONS

Decision of Registration and Notification for Japanese Design Patent Application No. 2015-014833, dated Nov. 10, 2015, 4 pages.
 Preliminary Rejection for Korean Patent Application No. 30-2015-0032167, dated Dec. 17, 2015, 3 pages.
 Preliminary Rejection for Korean Patent Application No. 30-2015-0032168, dated Dec. 17, 2015, 3 pages.
 Preliminary Rejection for Korean Patent Application No. 30-2015-0032169, dated Dec. 17, 2015, 3 pages.
 Levine, Milton, "Putting Solid-State Coolers to Work," Machine Design, Tech Briefs: Solid State Coolers, vol. 64, Issue 21, Oct. 22, 1992, 2 pages.

* cited by examiner

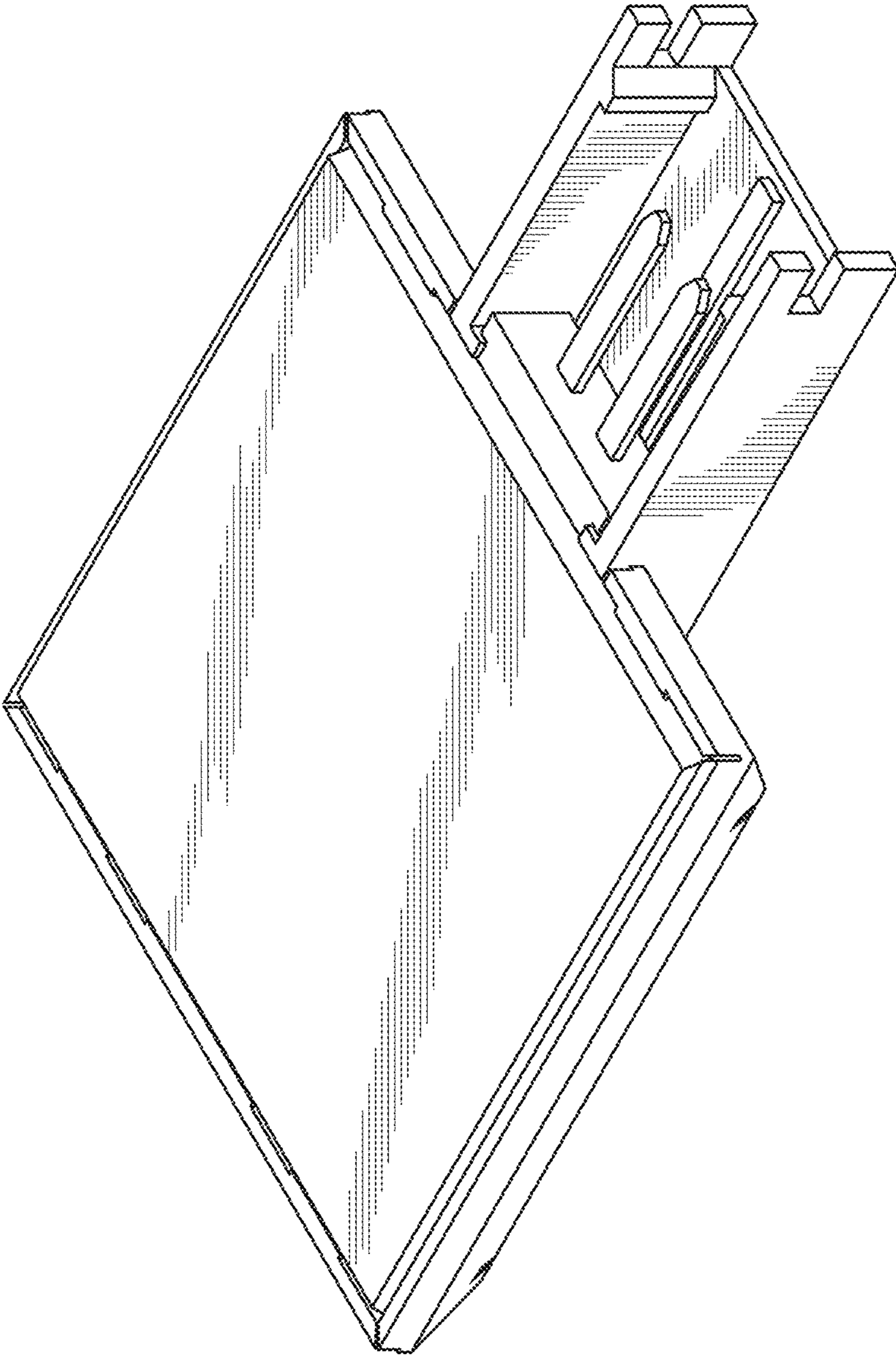


FIG. 1

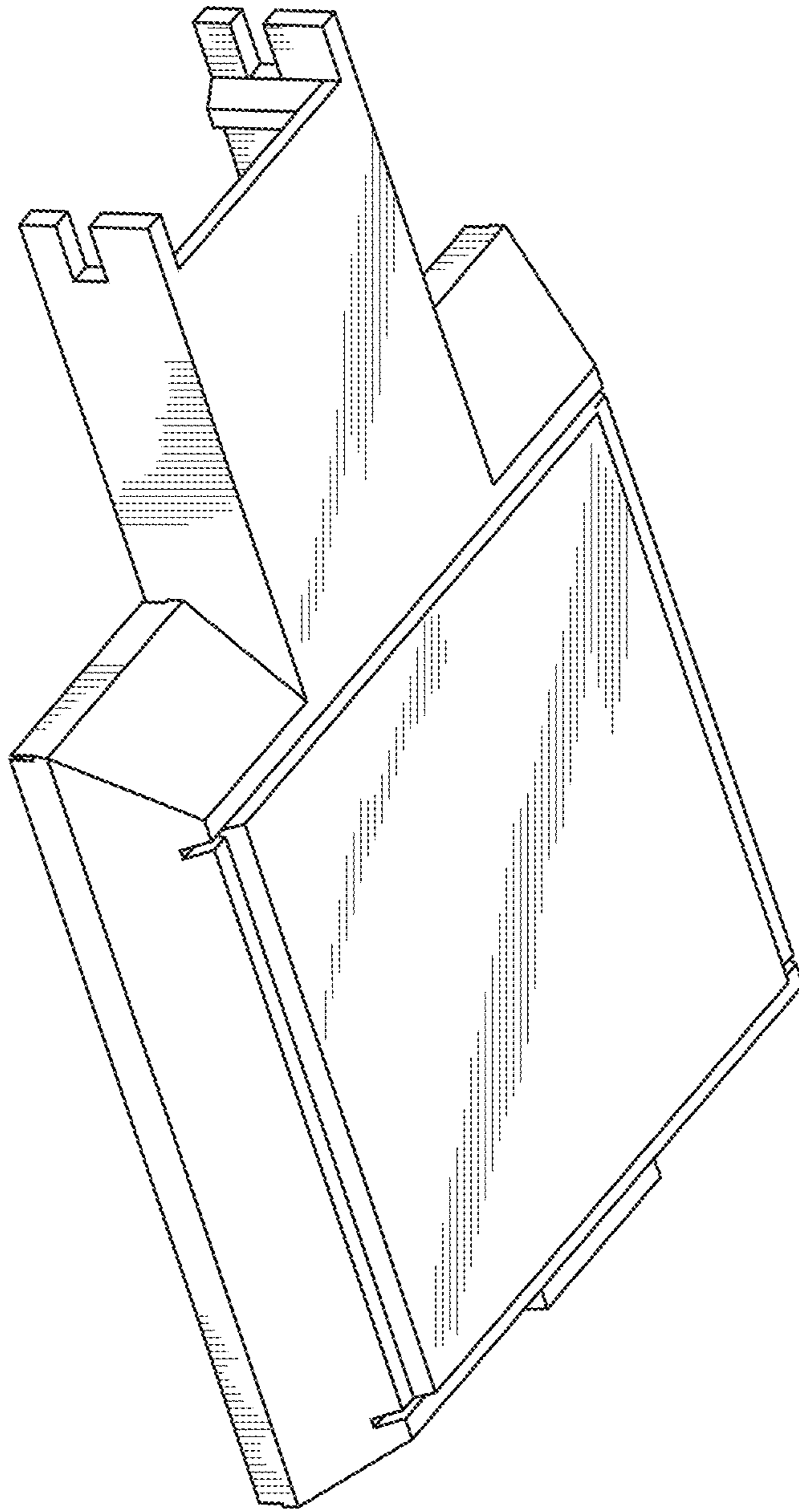


FIG. 2

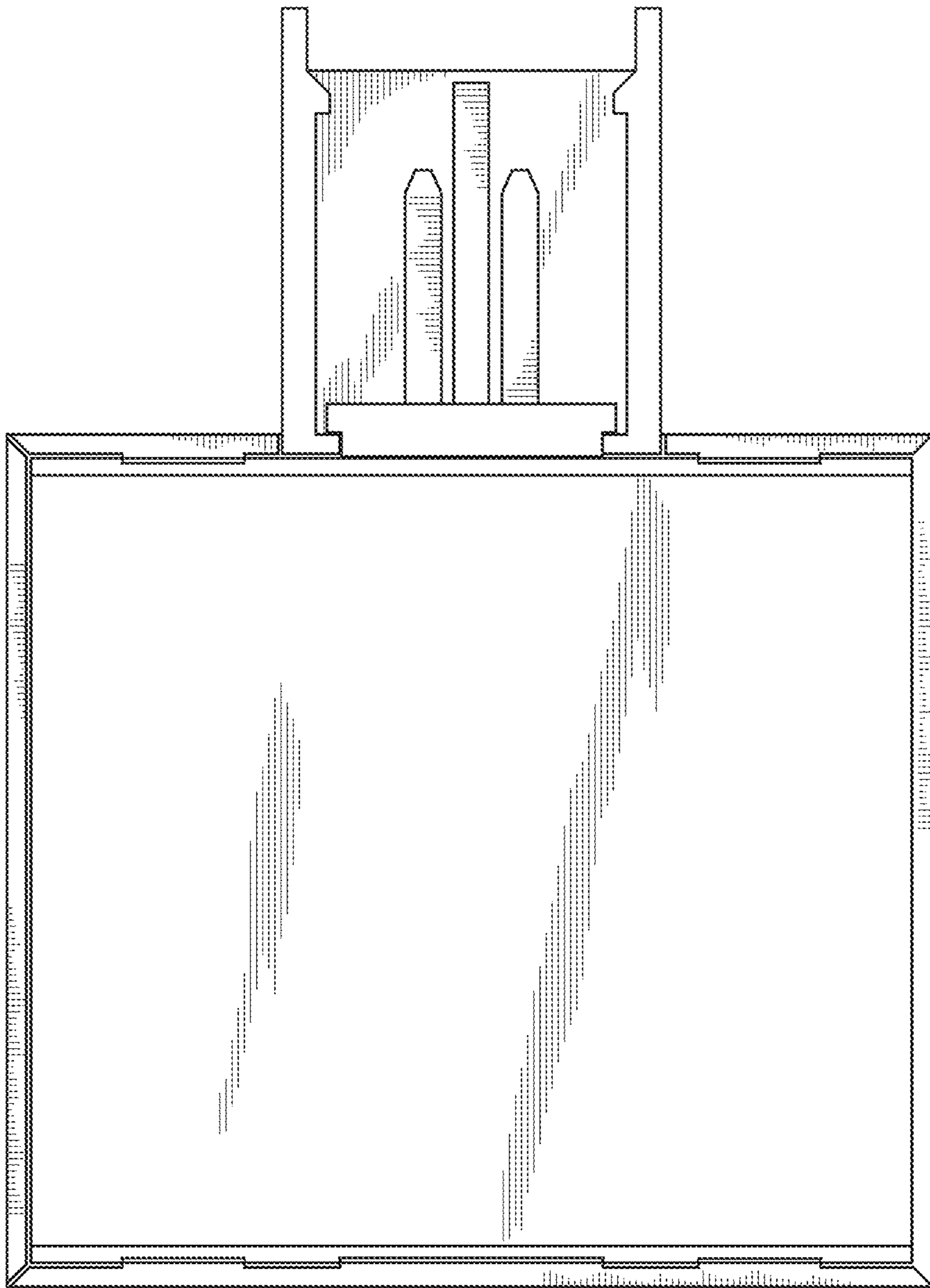


FIG. 3

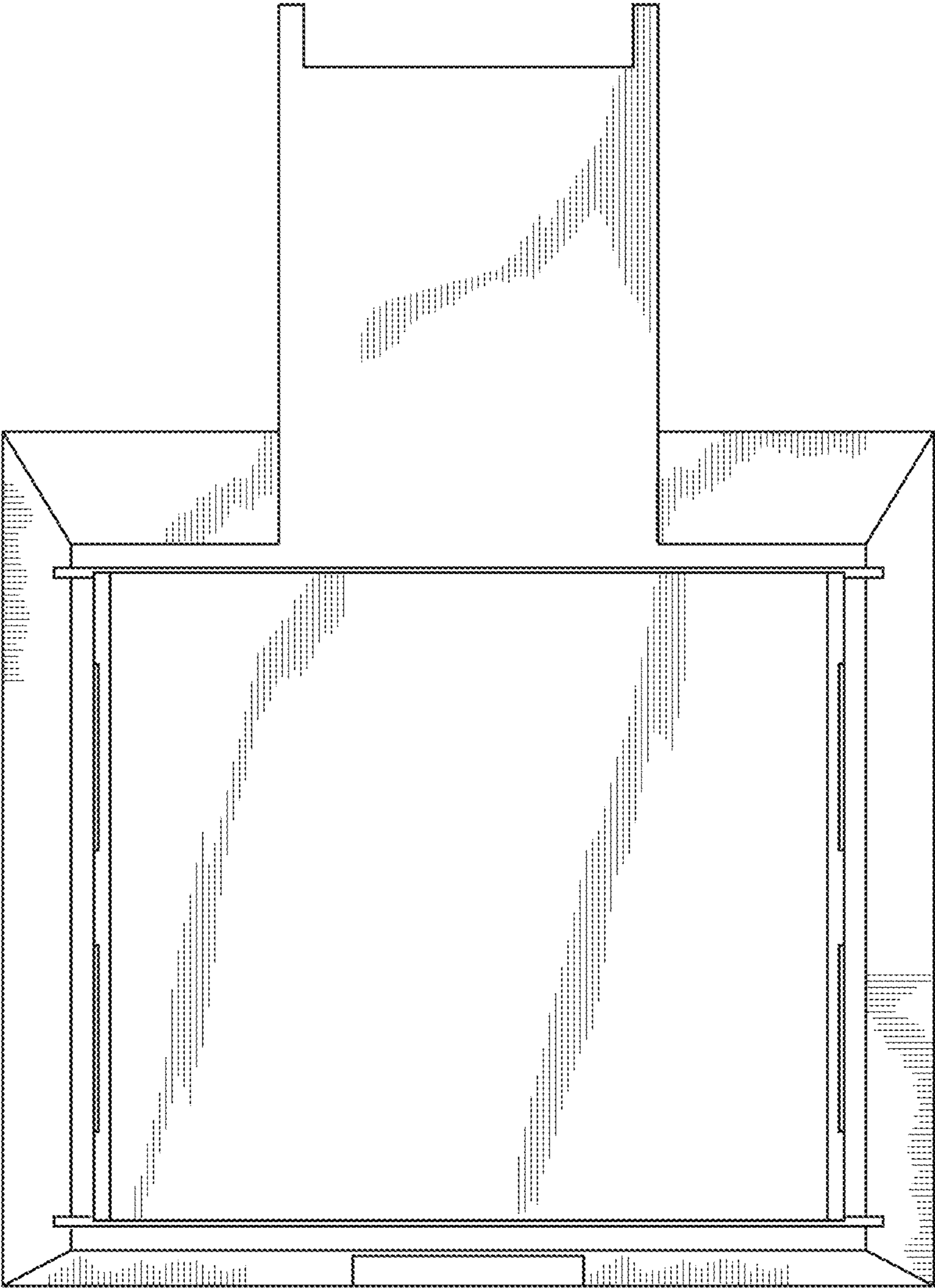


FIG. 4

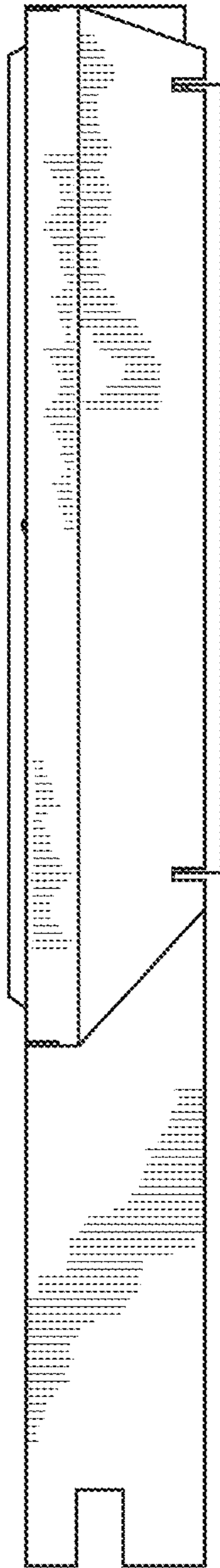


FIG. 5

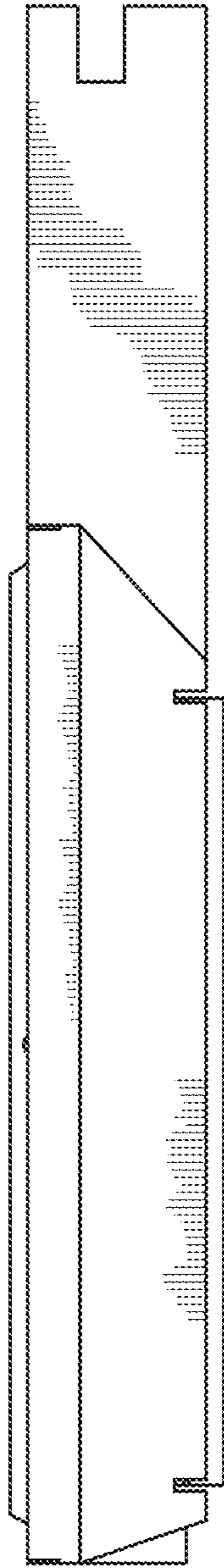


FIG. 6

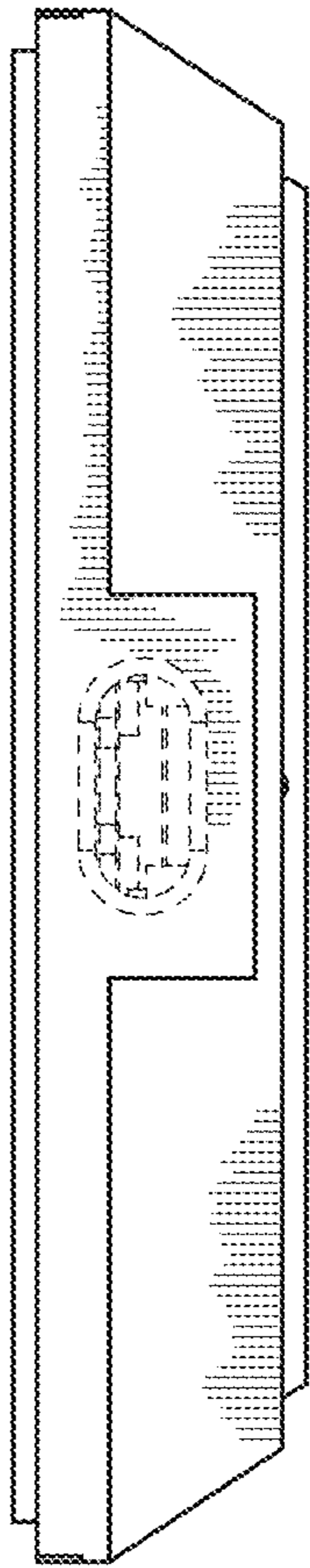


FIG. 7

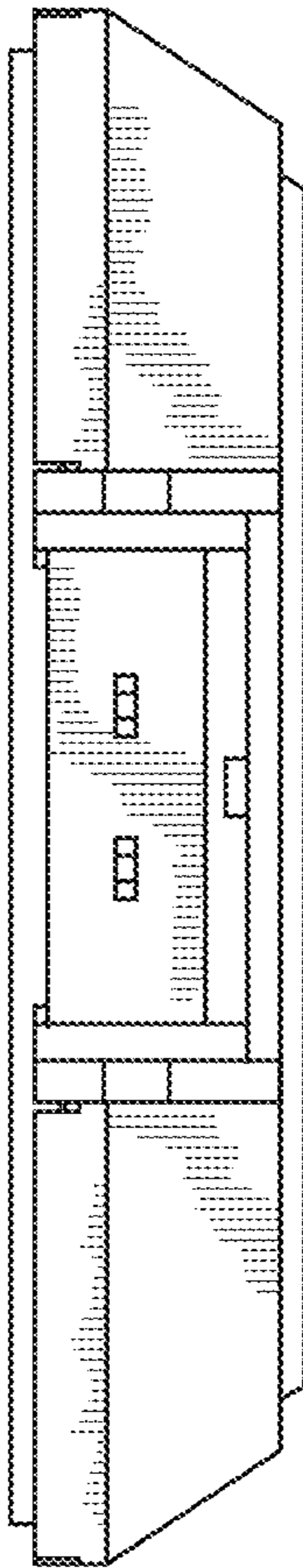


FIG. 8