



US00D816197S

(12) **United States Design Patent**  
**Chong et al.**

(10) **Patent No.:** **US D816,197 S**  
(45) **Date of Patent:** **\*\* Apr. 24, 2018**

(54) **SINK**

(71) Applicant: **Elkay Manufacturing Company**, Oak Brook, IL (US)

(72) Inventors: **Jonathan Chee Yeen Chong**, Chicago, IL (US); **Yanping Zhu**, Oak Brook, IL (US)

(73) Assignee: **ELKAY MANUFACTURING COMPANY**, Oak Brook, IL (US)

(\*\*) Term: **15 Years**

(21) Appl. No.: **29/601,586**

(22) Filed: **Apr. 24, 2017**

(51) **LOC (11) Cl.** ..... **23-02**

(52) **U.S. Cl.**  
USPC ..... **D23/290**

(58) **Field of Classification Search**  
USPC ..... D23/284–293.1, 303, 308; D6/329, 573, D6/657, 663–666, 671, 671.1, 671.4  
(Continued)

(56) **References Cited**

**U.S. PATENT DOCUMENTS**

D297,162 S \* 8/1988 Muck ..... D23/290  
D318,104 S \* 7/1991 Blanc ..... D23/290  
(Continued)

**OTHER PUBLICATIONS**

Sink 1 (2017).

(Continued)

*Primary Examiner* — Robert M. Spear

*Assistant Examiner* — John A Voytek

(74) *Attorney, Agent, or Firm* — Leydig, Voit & Mayer, Ltd.

(57) **CLAIM**

The ornamental design for a sink, as shown and described.

**DESCRIPTION**

FIG. 1 is a perspective view taken from the front, top, and right side of a sink in accordance with our new design.

FIG. 2 is a perspective view taken from the front, top, and left side of the sink of FIG. 1.

FIG. 3 is a perspective view taken from the rear, top, and left side of the sink of FIG. 1.

FIG. 4 is a perspective view taken from the rear, top, and right side of the sink of FIG. 1.

FIG. 5 is a top elevation view of the sink of FIG. 1.

FIG. 6 is a bottom elevation view of the sink of FIG. 1.

FIG. 7 is a front elevation view of the sink of FIG. 1.

FIG. 8 is a rear elevation view of the sink of FIG. 1.

FIG. 9 is a left side elevation view of the sink of FIG. 1.

FIG. 10 is a right side elevation view of the sink of FIG. 1.

FIG. 11 is a perspective view taken from the front, top, and right side of an alternative embodiment for a sink in accordance with our new design.

FIG. 12 is a perspective view taken from the front, top, and left side of the sink of FIG. 11.

FIG. 13 is a perspective view taken from the rear, top, and left side of the sink of FIG. 11.

FIG. 14 is a perspective view taken from the rear, top, and right side of the sink of FIG. 11.

FIG. 15 is a top elevation view of the sink of FIG. 11.

FIG. 16 is a bottom elevation view of the sink of FIG. 11.

FIG. 17 is a front elevation view of the sink of FIG. 11.

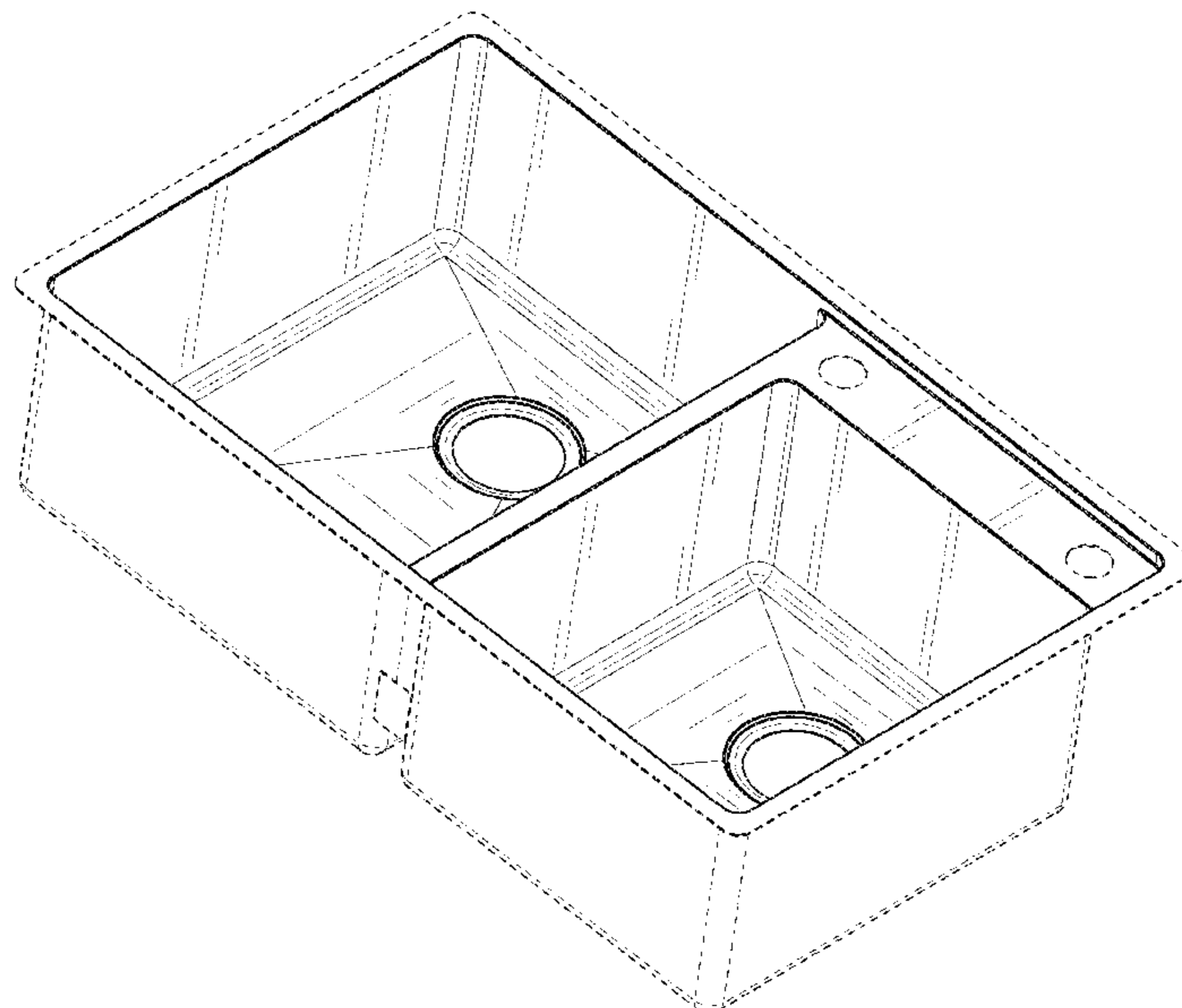
FIG. 18 is a rear elevation view of the sink of FIG. 11.

FIG. 19 is a left side elevation view of the sink of FIG. 11; and,

FIG. 20 is a right side elevation view of the sink of FIG. 11.

The broken lines shown depict portions of the sink that form no part of the claimed design.

**1 Claim, 20 Drawing Sheets**



(58) **Field of Classification Search**

CPC ..... A47K 1/04; A47B 77/06; A47J 47/20  
See application file for complete search history.

(56) **References Cited**

U.S. PATENT DOCUMENTS

D355,023	S	*	1/1995	Kolada	.....	D23/290
D497,415	S	*	10/2004	Arnold	.....	D23/290
D500,357	S	*	12/2004	Bayer	.....	D23/290
D548,311	S	*	8/2007	Mahon	.....	D23/290
D586,444	S	*	2/2009	Ziemann	.....	D23/290
D586,890	S	*	2/2009	Ziemann	.....	D23/290
D610,659	S	*	2/2010	Booth	.....	D23/290
D669,562	S	*	10/2012	Booth	.....	D23/290
D685,892	S	*	7/2013	Dickout	.....	D23/290
D707,802	S	*	6/2014	Jepson	.....	D23/290
D746,420	S	*	12/2015	Kurth	.....	D23/290

OTHER PUBLICATIONS

Sink 2 (2017).

Sink 3 (2017).

Elkay® Catalogue, [www.elkay.com.cn](http://www.elkay.com.cn) (2013).

\* cited by examiner

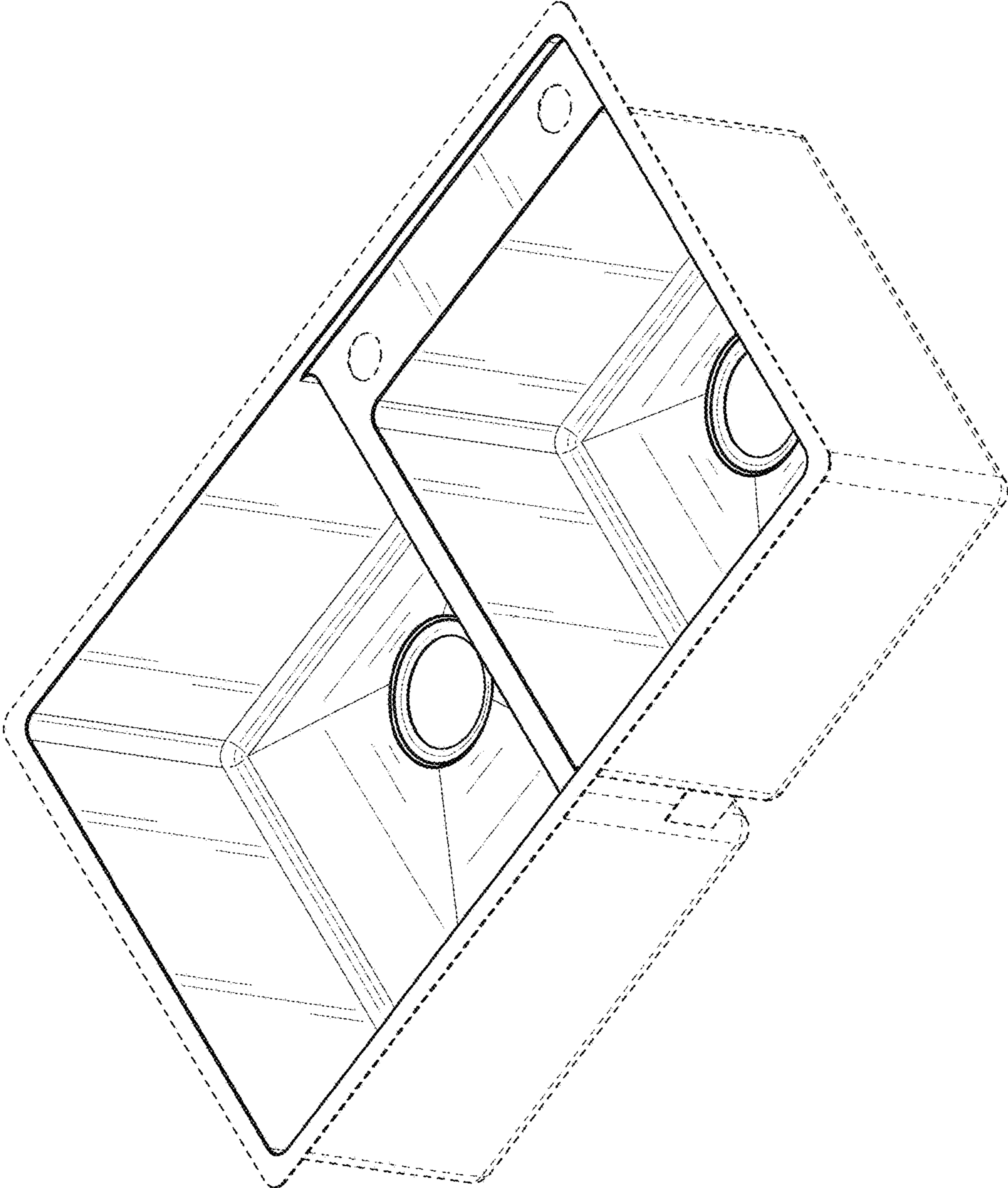


FIG. 1

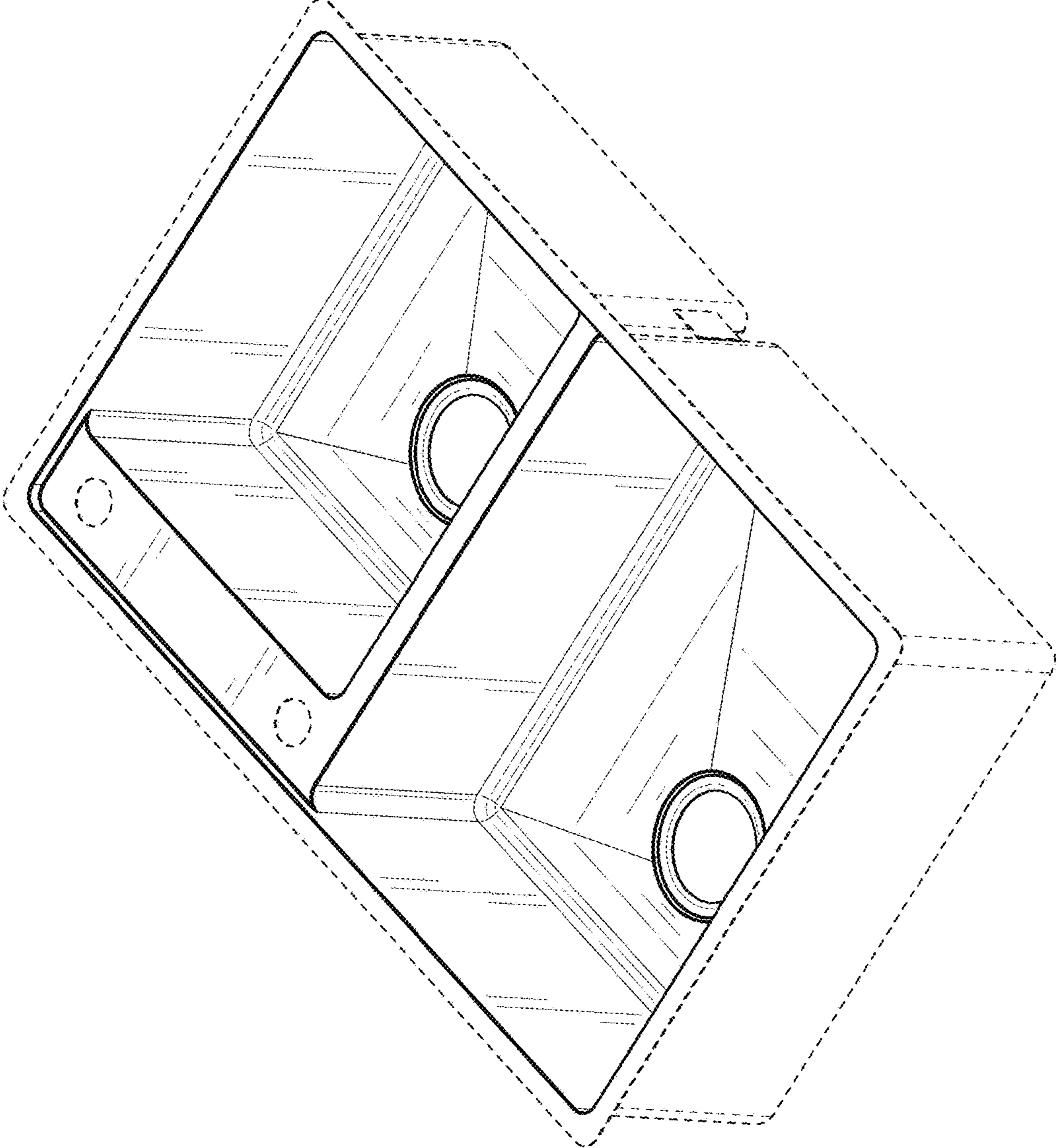


FIG. 2

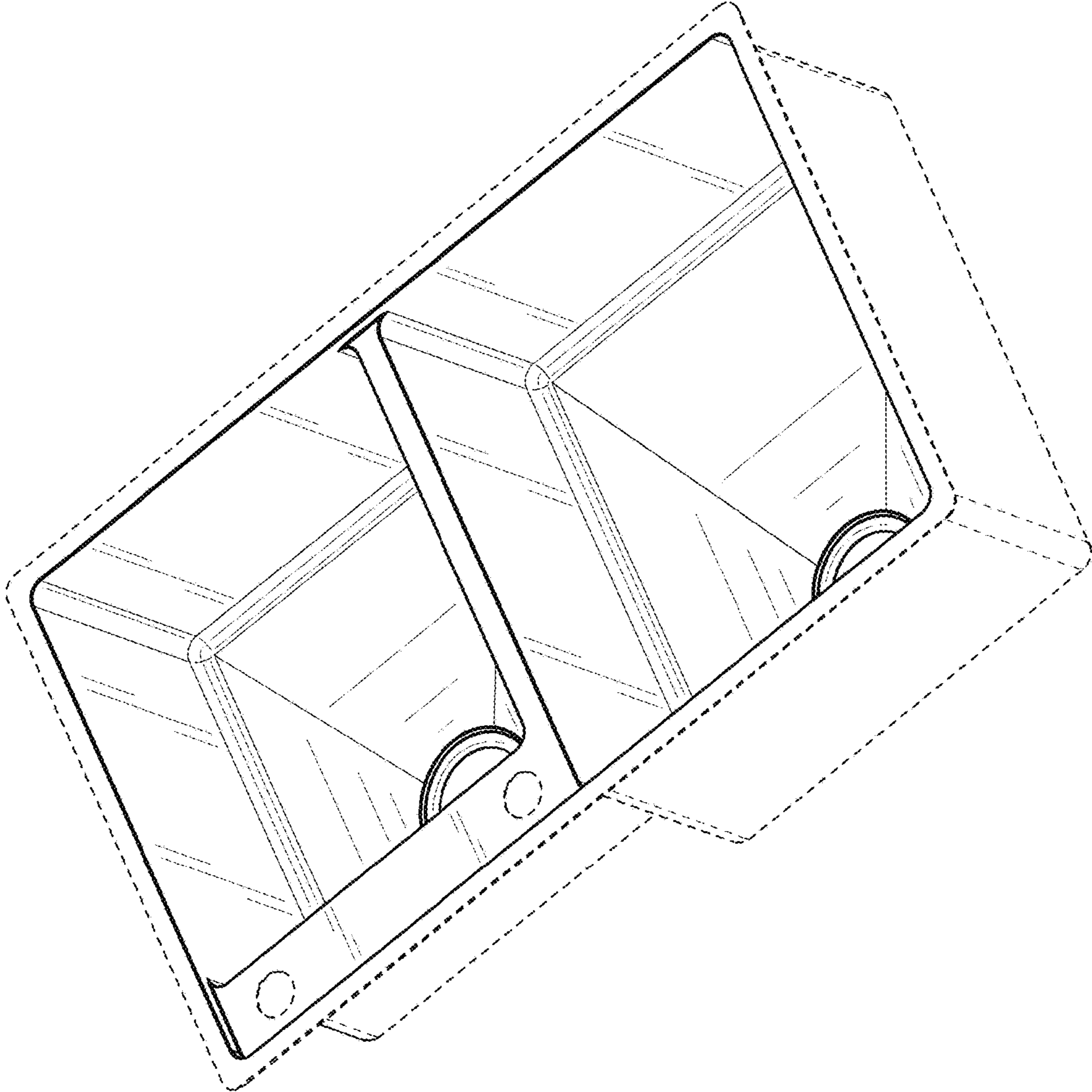


FIG. 3

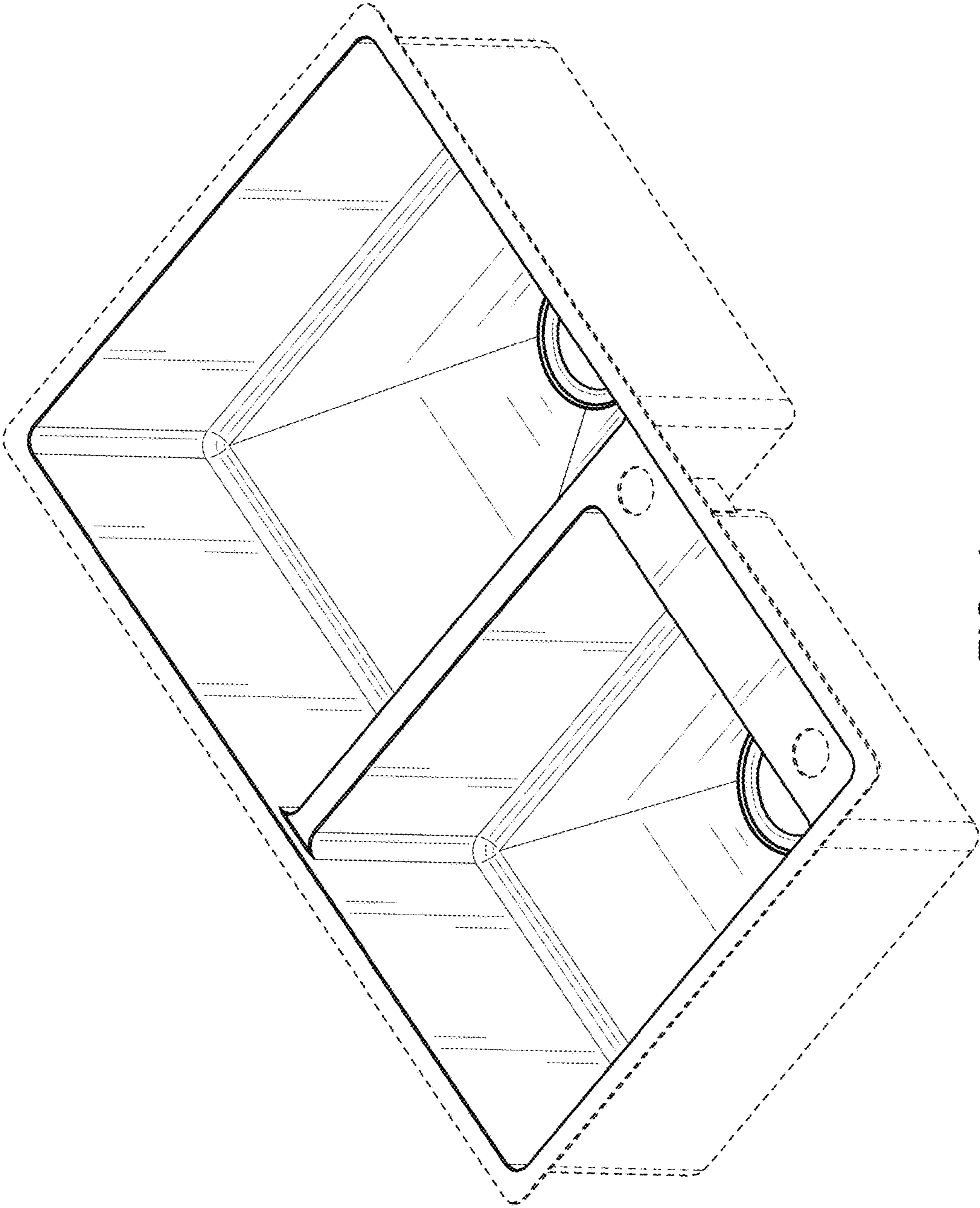


FIG. 4

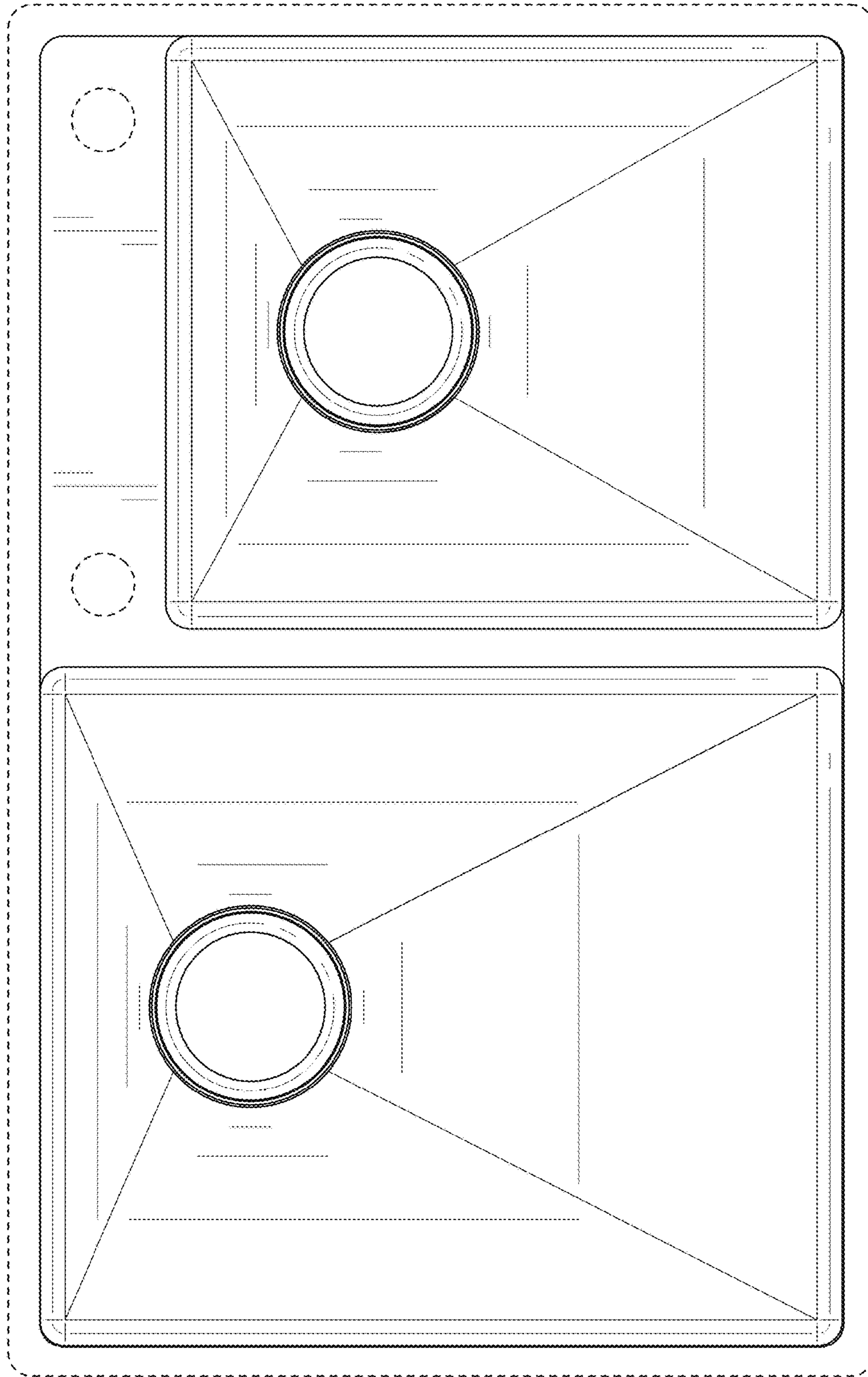


FIG. 5

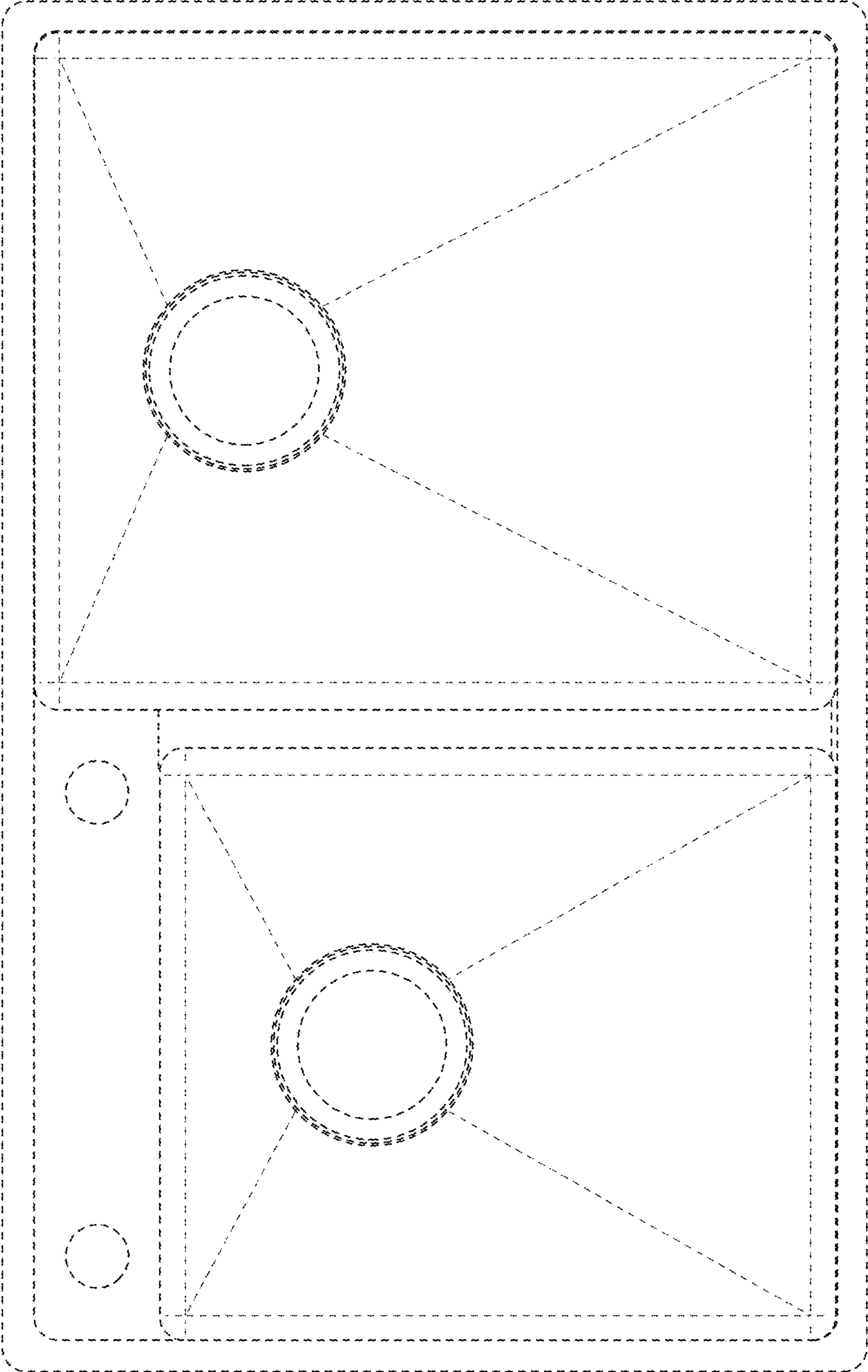


FIG. 6



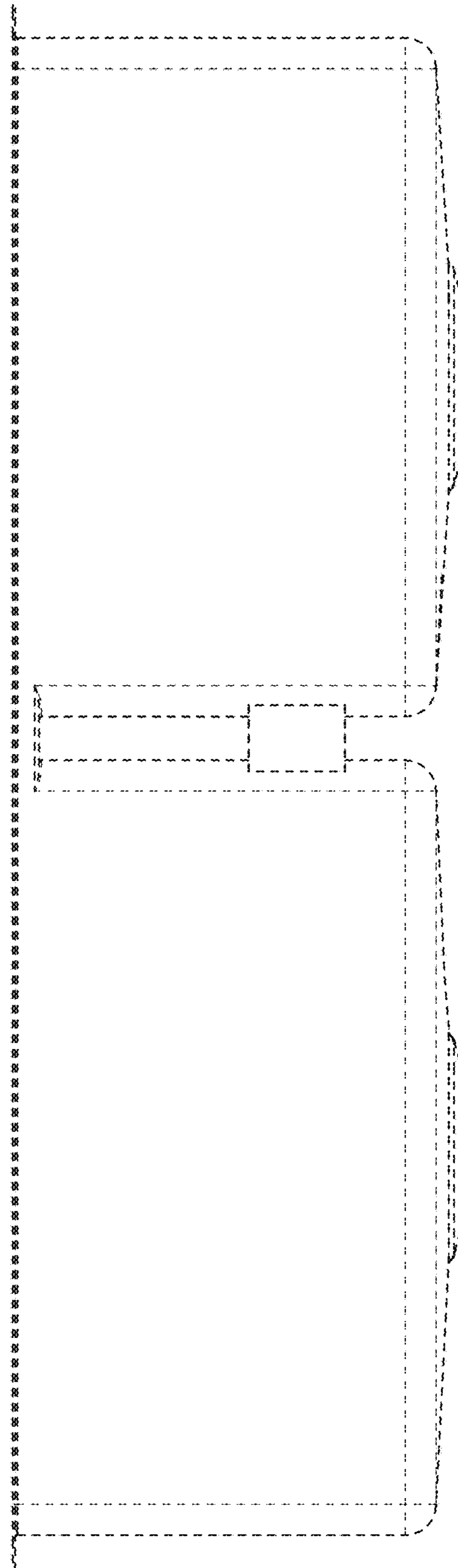


FIG. 7

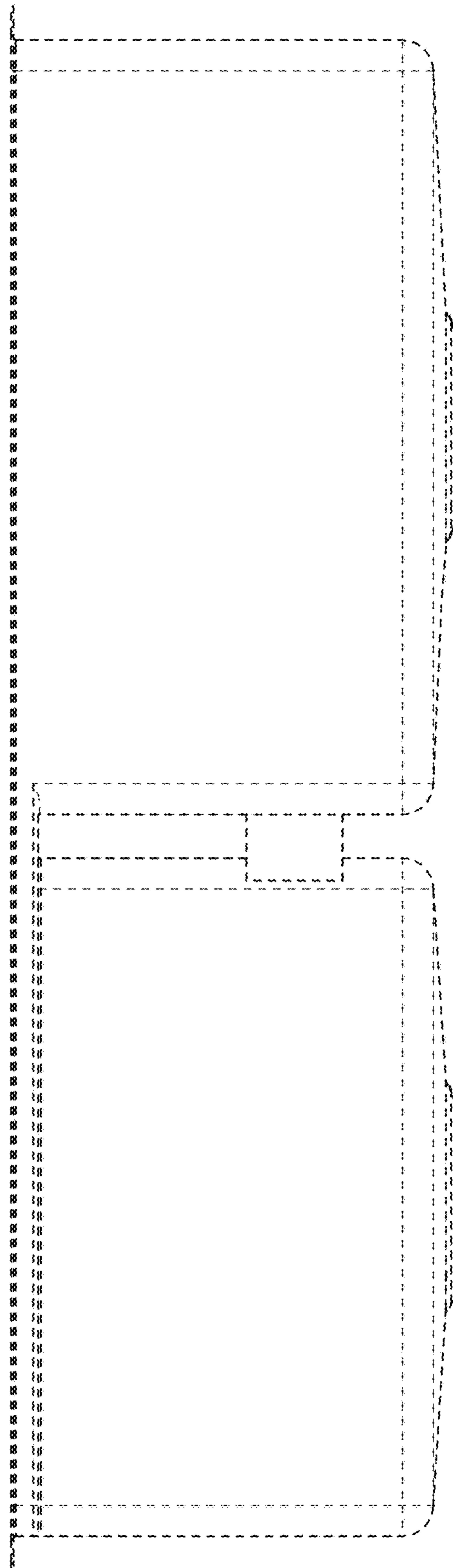


FIG. 8

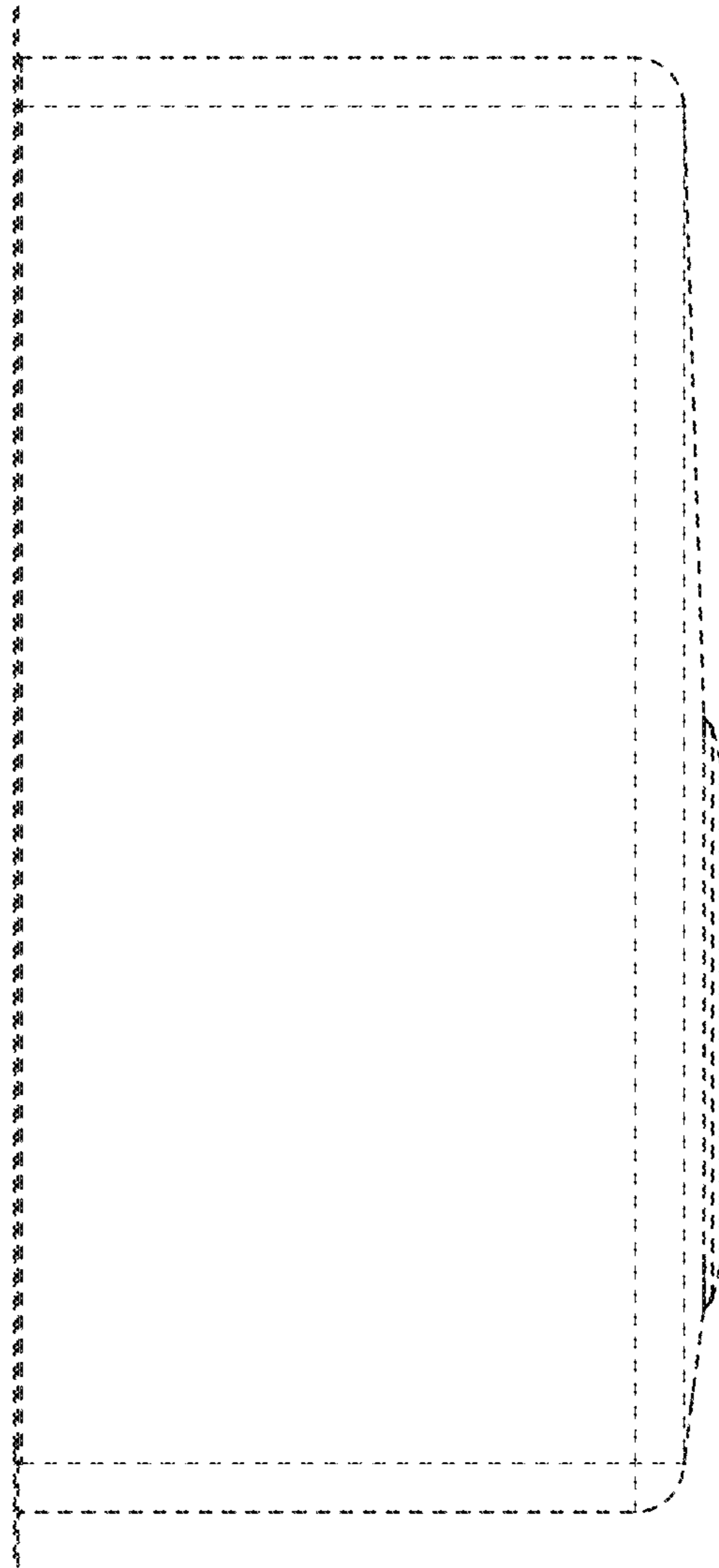


FIG. 9

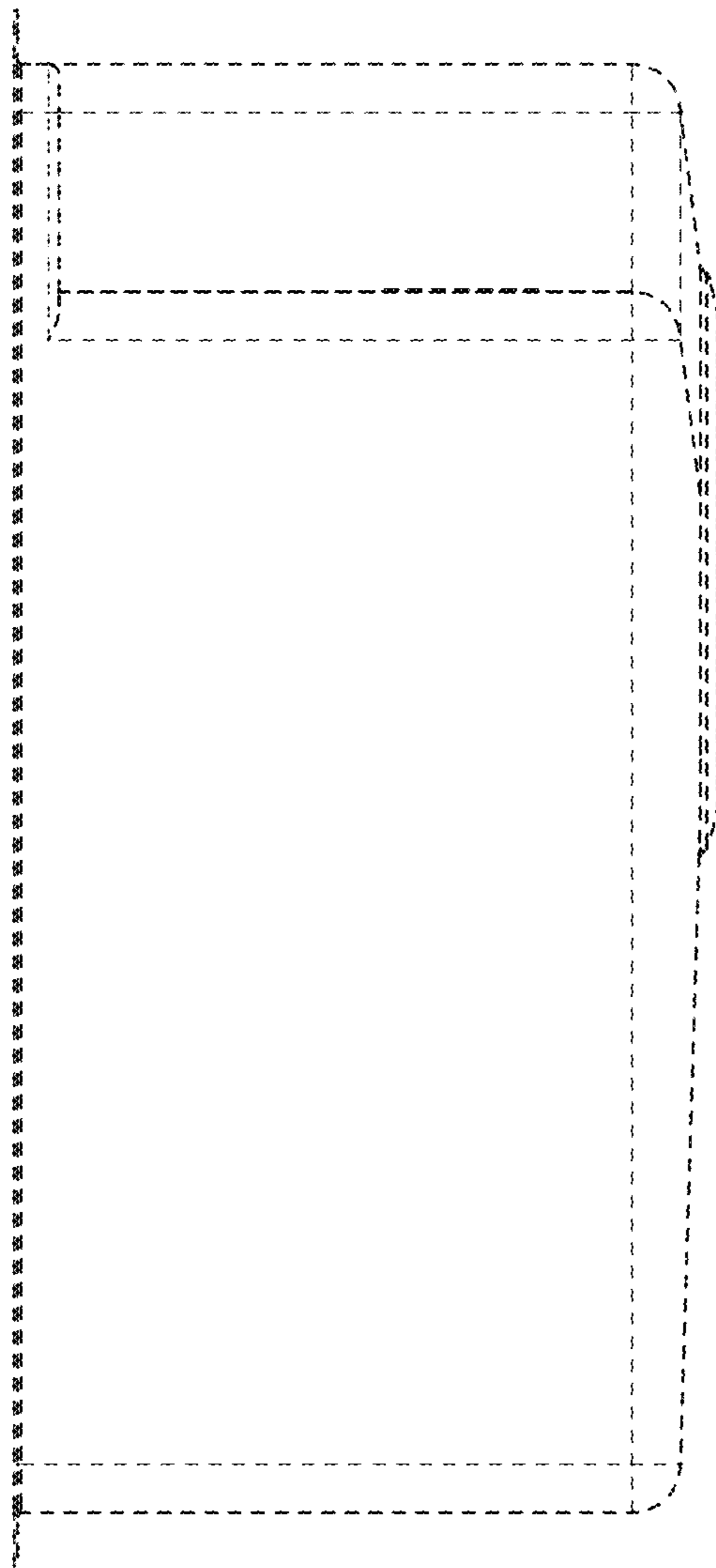


FIG. 10

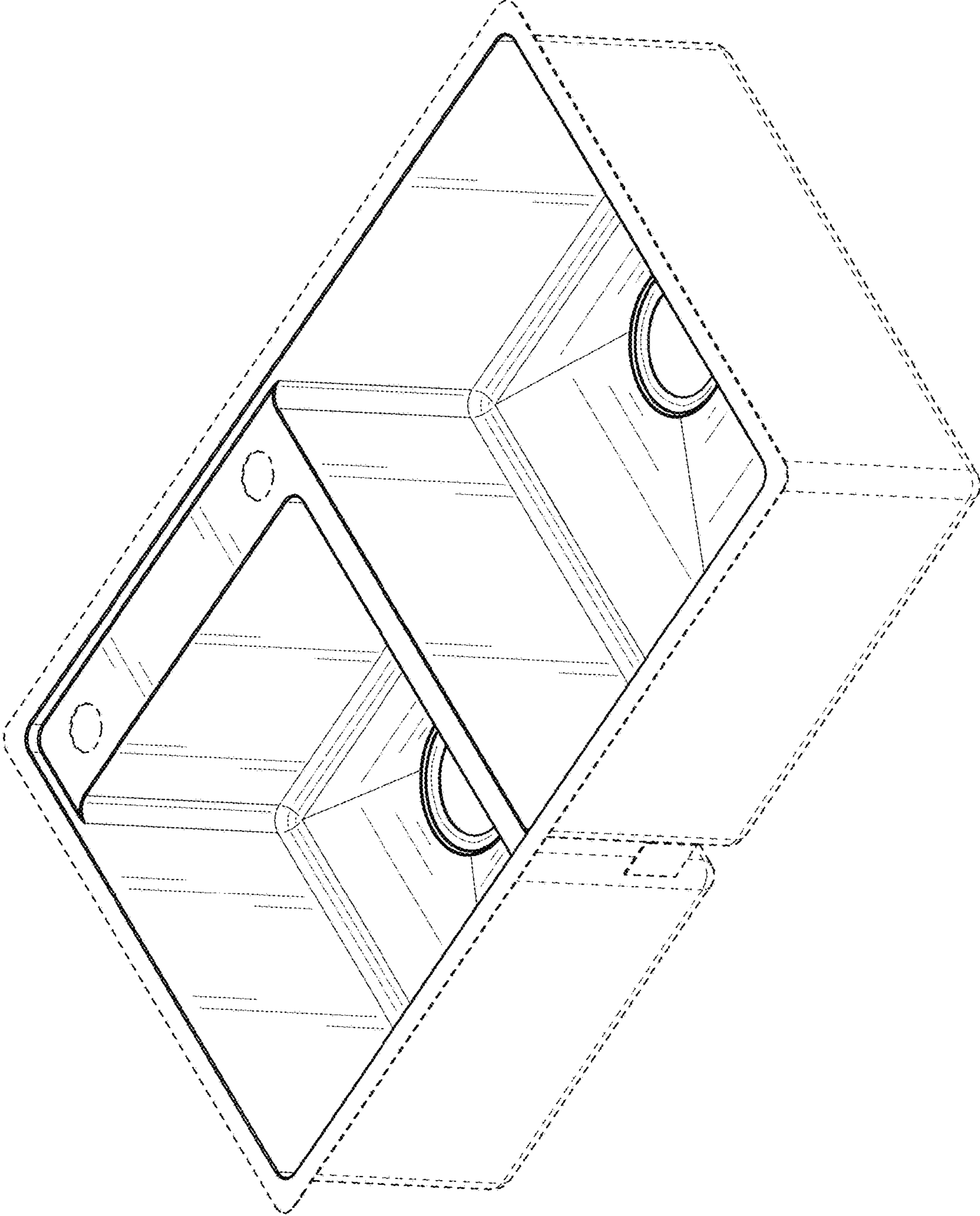


FIG. 11

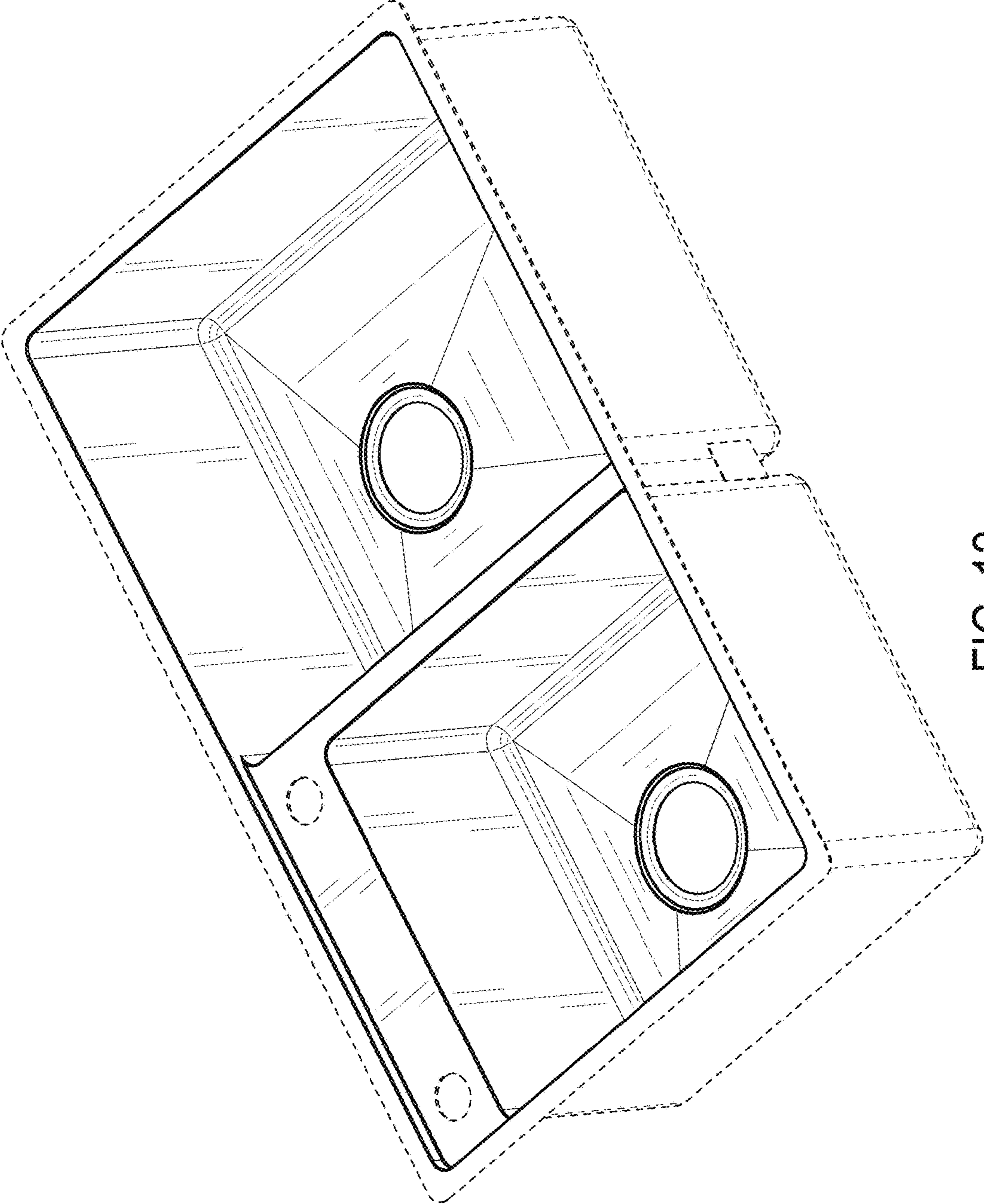


FIG. 12

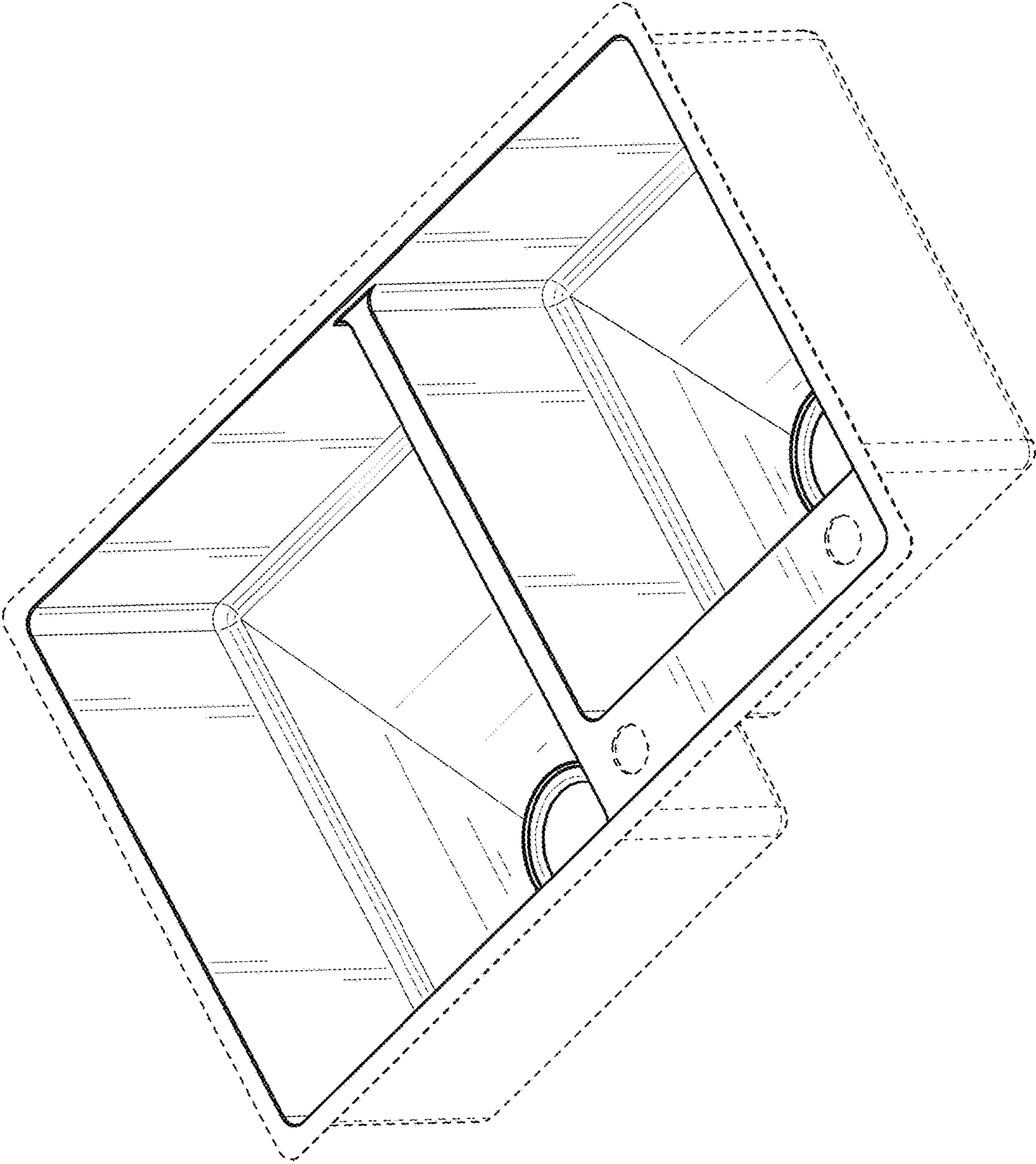


FIG. 13

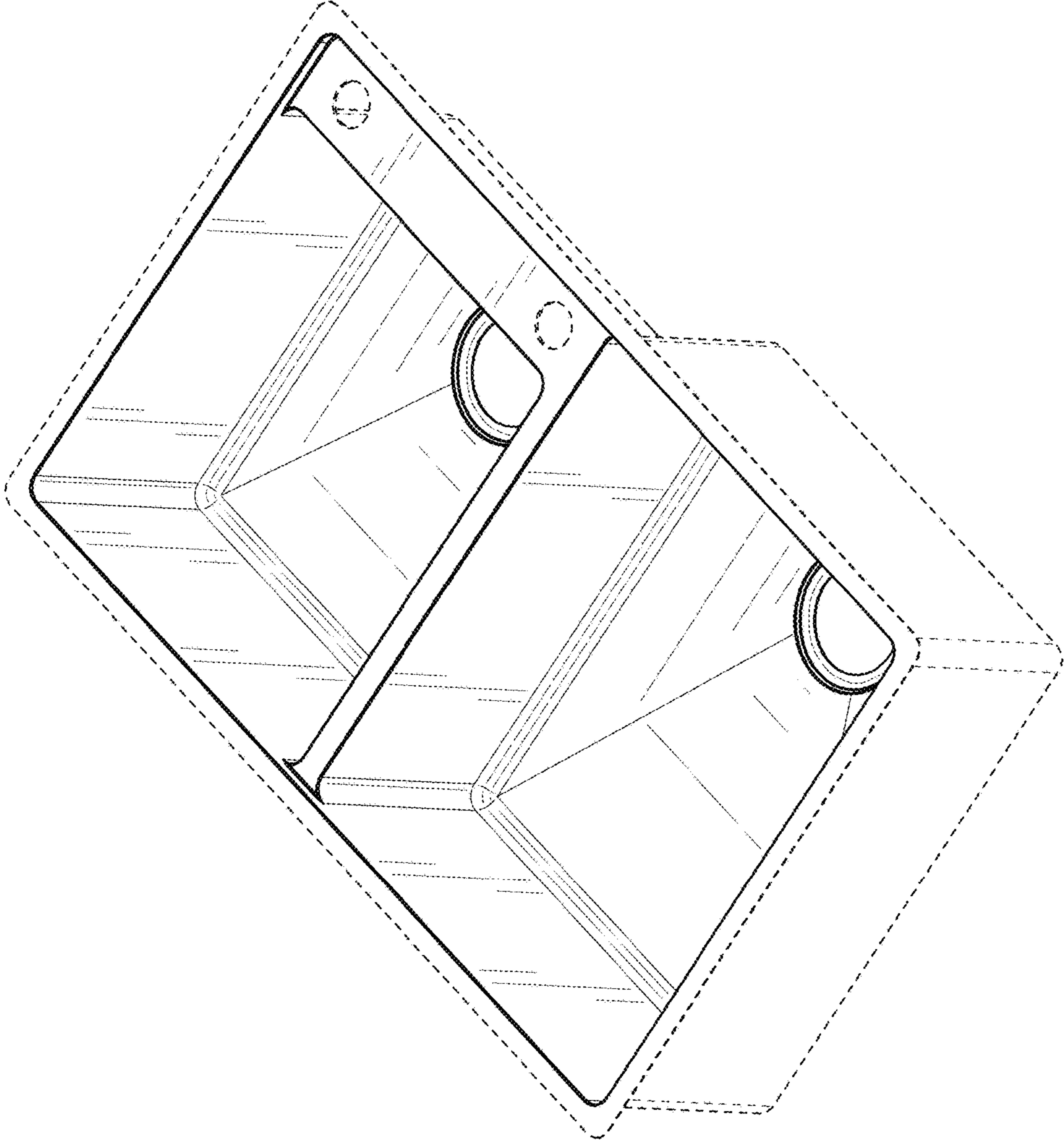


FIG. 14



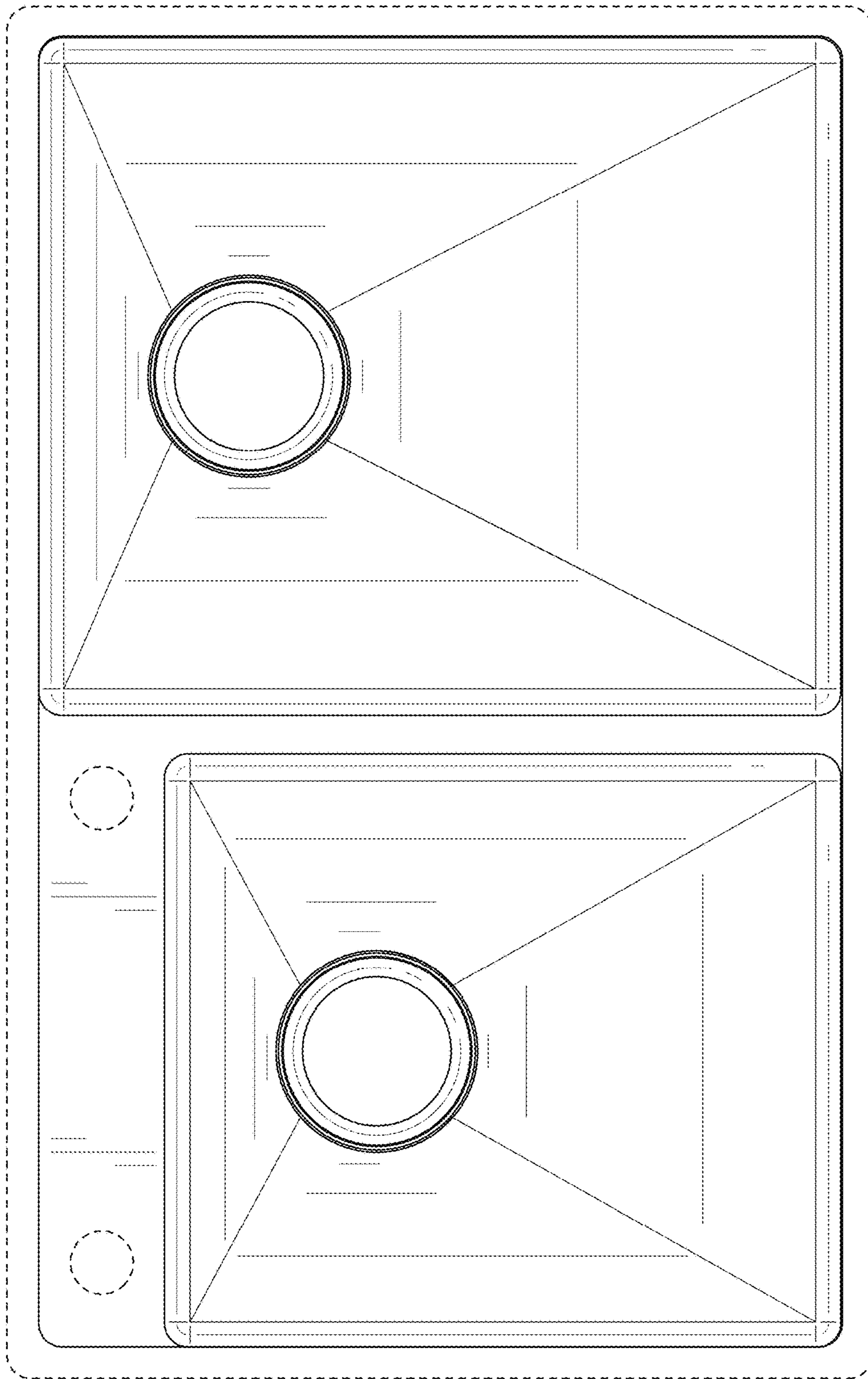


FIG. 15

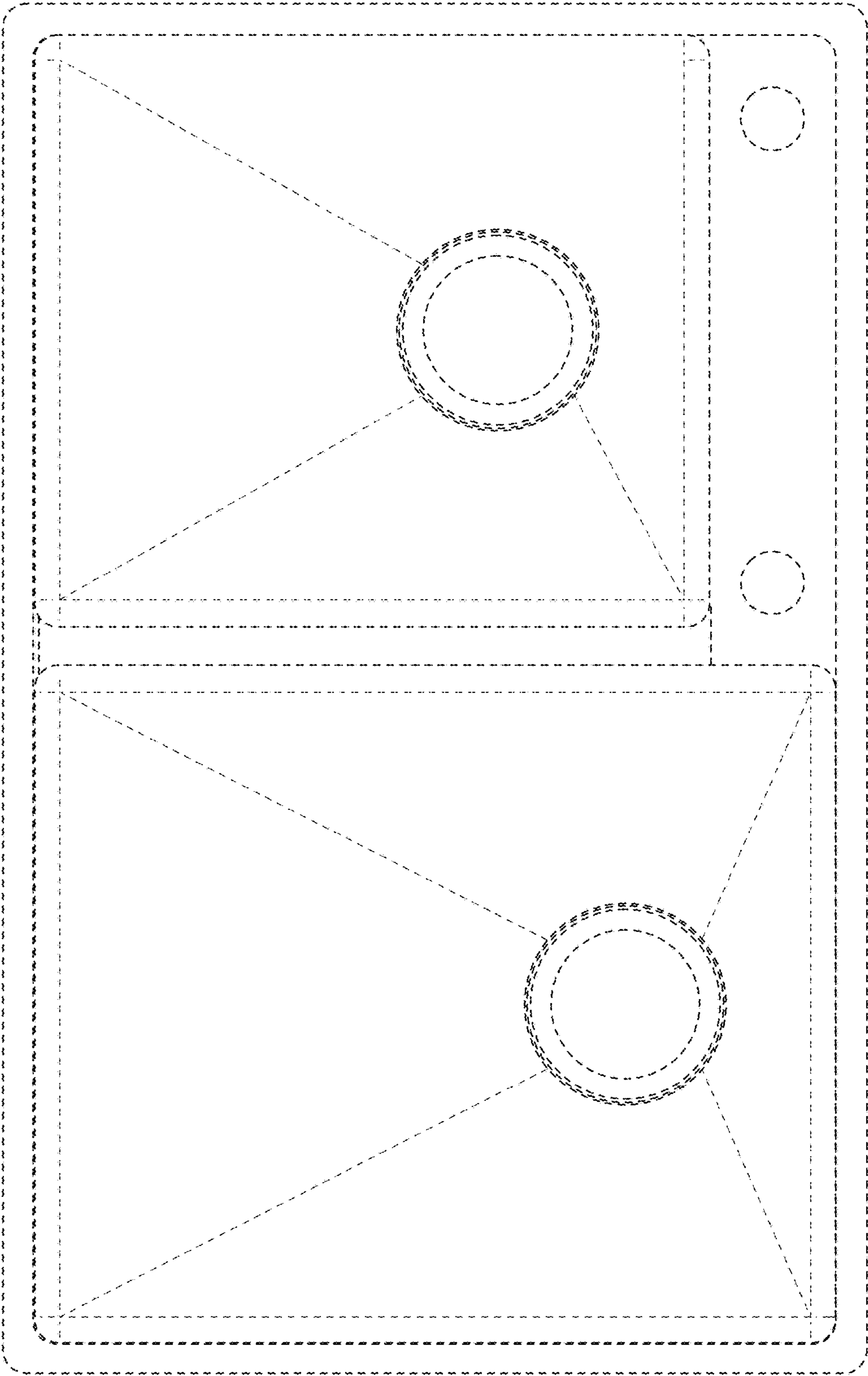


FIG. 16

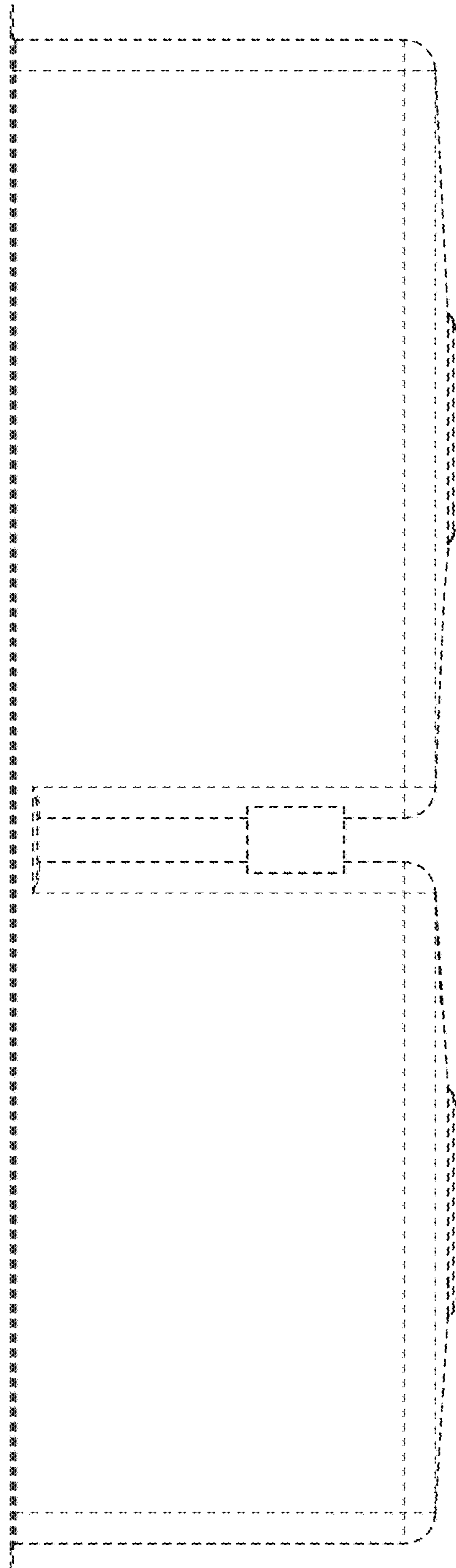


FIG. 17

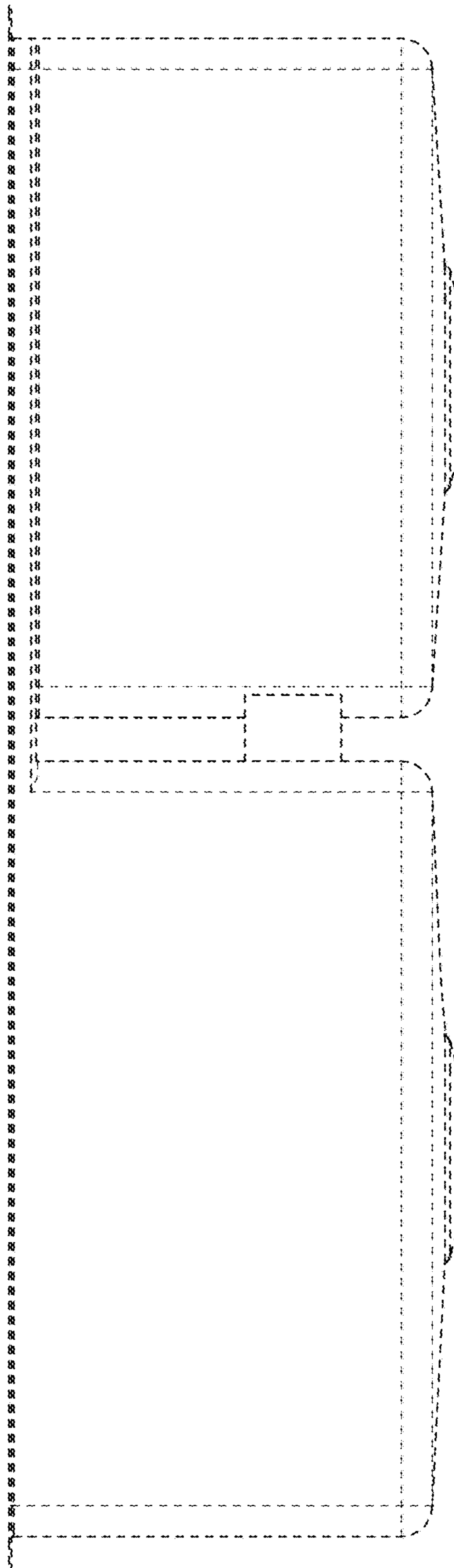


FIG. 18

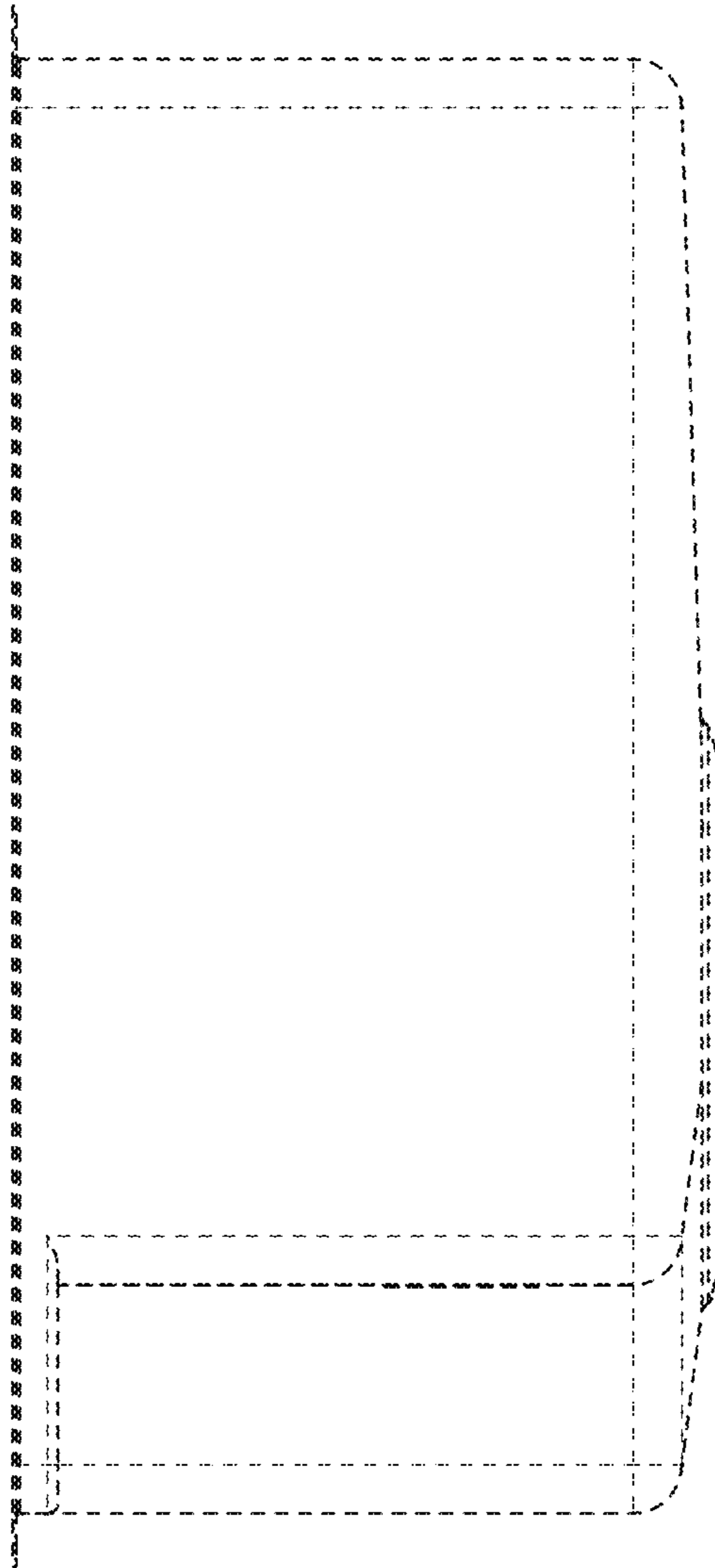


FIG. 19

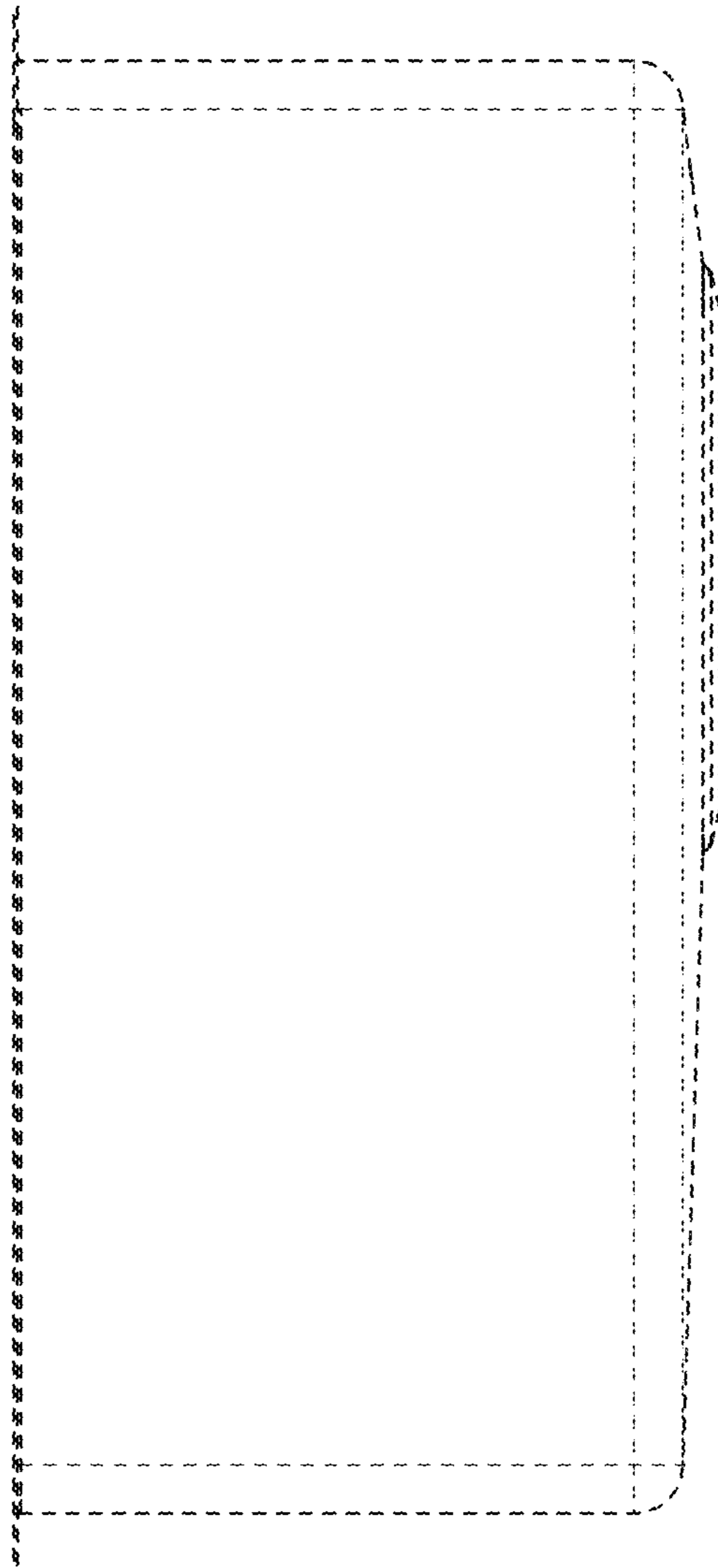


FIG. 20