



US00D816196S

(12) **United States Design Patent**
Sugatani et al.

(10) **Patent No.:** **US D816,196 S**
(45) **Date of Patent:** **** Apr. 24, 2018**

(54) **EXHAUST PIPE FOR WATER HEATER**

7/00; B29D 13/001; E03C 1/20; E03C
1/22; E03C 1/2306; E03C 1/24; E03C
1/28;

(71) Applicants: **NORITZ CORPORATION**, Hyogo
(JP); **Living Engineering Co., Ltd.**,
Tokyo (JP); **Mirai Industry Co., Ltd.**,
Gifu (JP)

(Continued)

(72) Inventors: **Masaki Sugatani**, Akashi (JP);
Takanori Nagano, Kakogawa (JP);
Hironao Matsunaga, Amagasaki (JP);
Takahide Hasegawa, Kakogawa (JP);
Kiyomi Kanamoto, Tokyo (JP);
Yasuhide Satoh, Tokyo (JP); **Shohei**
Matsuda, Ogaki (JP)

(56) **References Cited**

U.S. PATENT DOCUMENTS

3,658,097 A * 4/1972 Martin E02B 11/005
138/121

D307,174 S * 4/1990 Bjorkman 138/121
(Continued)

Primary Examiner — Eric L Goodman

Assistant Examiner — Amy C Wierenga

(74) *Attorney, Agent, or Firm* — Stuebaker & Brackett
PC

(73) Assignee: **NORITZ CORPORATION**, Hyogo
(JP)

(57) **CLAIM**

(**) Term: **15 Years**

The ornamental design for an exhaust pipe for water heater,
as shown and described.

(21) Appl. No.: **29/578,880**

DESCRIPTION

(22) Filed: **Sep. 26, 2016**

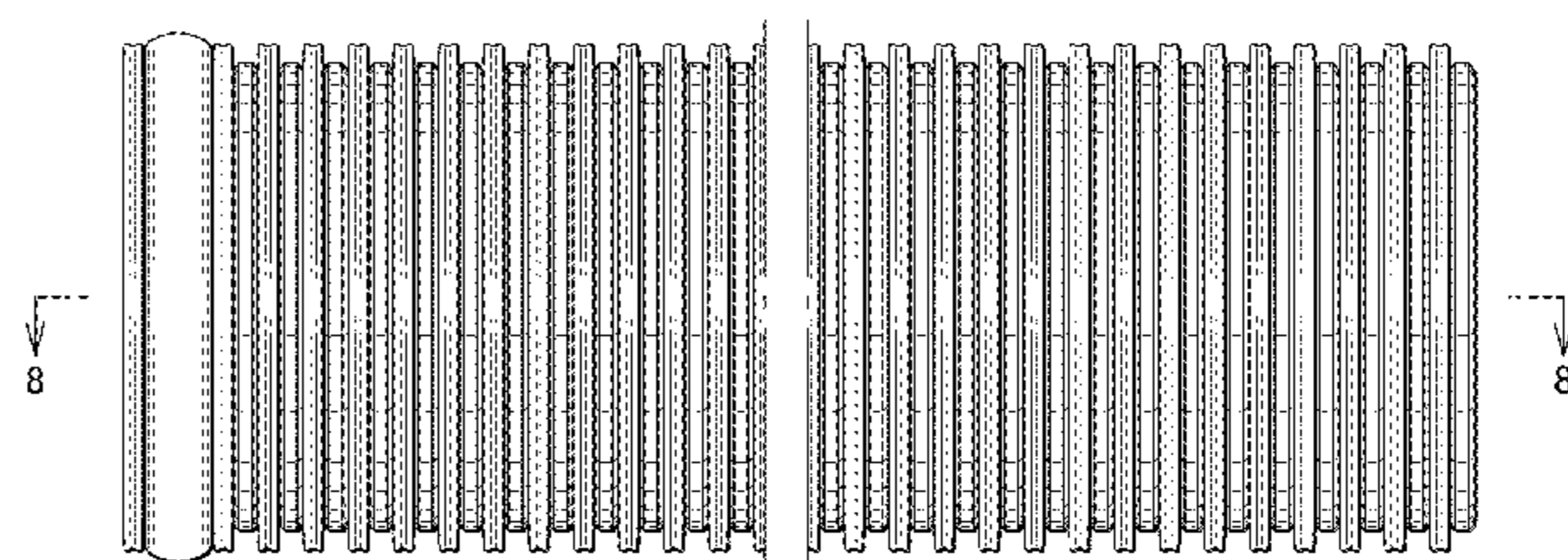
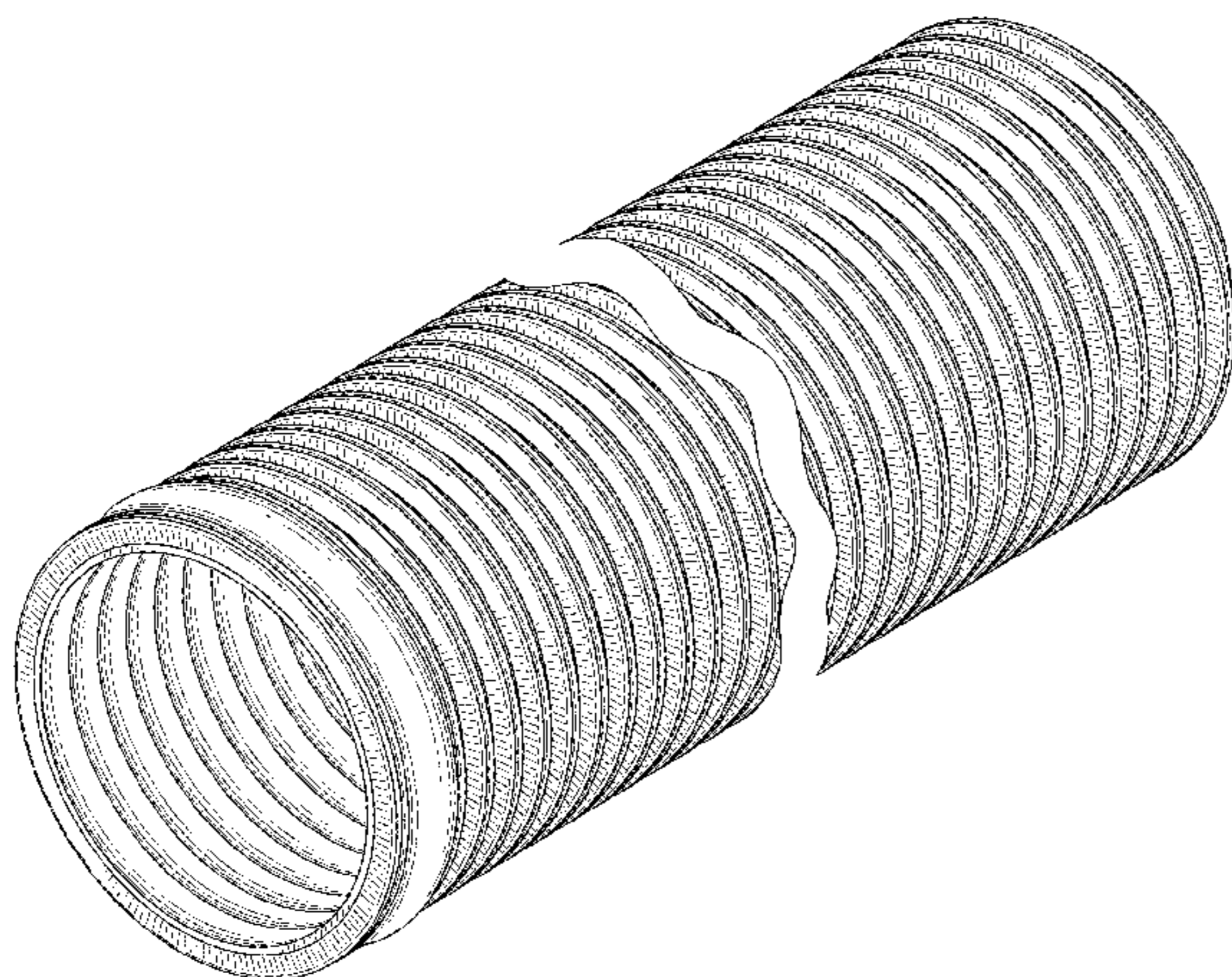
(51) **LOC (11) Cl.** **23-01**

(52) **U.S. Cl.**
USPC **D23/266**

(58) **Field of Classification Search**
USPC D23/259, 262, 266; 285/47, 124.1,
285/124.5, 83, 134.1, 179, 39, 222.1, 242,
285/245–246, 256, 260, 276, 382.4,
285/179.1, 58, 125.1, 128.1, 123.5;
4/679, 680, 686–687; 138/111, 119, 123,
138/155, 158, 167, 177, 39; D13/155;
137/561 A; 210/232, 323.2, 321.72,
210/321.8, 321.88, 321.89, 500.23;
454/47; 122/18.31; 110/147
CPC F16L 11/21; F16L 11/16; F16L 9/22; F16L
39/00; F16L 37/148; F16L 21/06; F16L
43/001; F16L 43/002; F16L 27/00; F16L
27/11; F16L 55/07; F16L 11/10; F16L
11/125; F16L 11/133; F16L 11/121; F16L
57/04; F16L 41/03; F16L 41/02; F16L
55/115; F16L 17/02; F16L 17/04; F16L

FIG. 1 is a perspective view of an exhaust pipe for water
heater showing the present design;
FIG. 2 is a front view thereof;
FIG. 3 is a rear view thereof;
FIG. 4 is a top view thereof;
FIG. 5 is a bottom view thereof;
FIG. 6 is a right side view thereof;
FIG. 7 is a left side view thereof;
FIG. 8 is a cross sectional view taken along line 8-8 of FIG.
2;
FIG. 9 is an enlarged detail view of the portion 9 of FIG. 8;
and,
FIG. 10 is a perspective view shown in a state of use.
The exhaust pipe for water heater is shown with a symbolic
break in its length. The appearance of any portion of the
article between the break lines forms no part of the claim.
The evenly spaced broken lines shown in FIG. 10 depict
environmental subject matter that forms no part of the claim.

1 Claim, 5 Drawing Sheets



(58) **Field of Classification Search**

CPC E03C 1/232; E03C 1/284; E03C 1/023;
F24D 3/1066; F23J 13/02; F23J 13/04;
F24H 9/16

See application file for complete search history.

(56) **References Cited**

U.S. PATENT DOCUMENTS

D307,790	S *	5/1990	Bjorkman	138/121
D356,858	S *	3/1995	Folkman	138/109
D454,942	S *	3/2002	Selby	D23/266
6,410,852	B1 *	6/2002	Schimpf	H02G 3/0468 138/121
D531,708	S *	11/2006	Wagner	D23/266
D591,406	S *	4/2009	Crain	D23/266
D767,737	S *	9/2016	Kuykendall	D23/266
2010/0325861	A1 *	12/2010	Gardner	F16L 9/147 29/428
2016/0059406	A1 *	3/2016	Nagano	F16L 55/165 29/426.2
2016/0060873	A1 *	3/2016	Sugatani	E04D 13/178 29/401.1
2016/0201832	A1 *	7/2016	Barbely	F16L 27/11 285/226

* cited by examiner

FIG.1

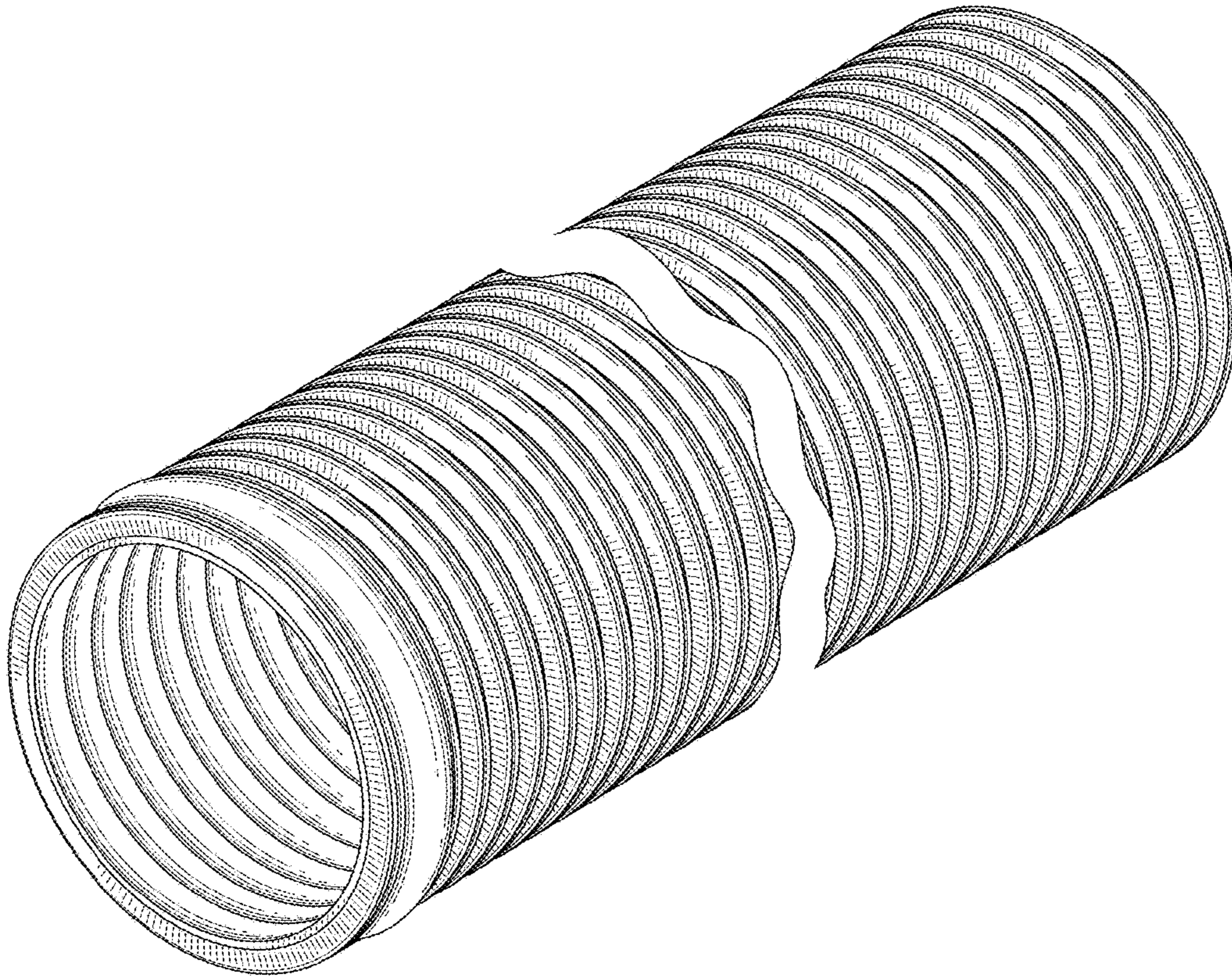


FIG.2

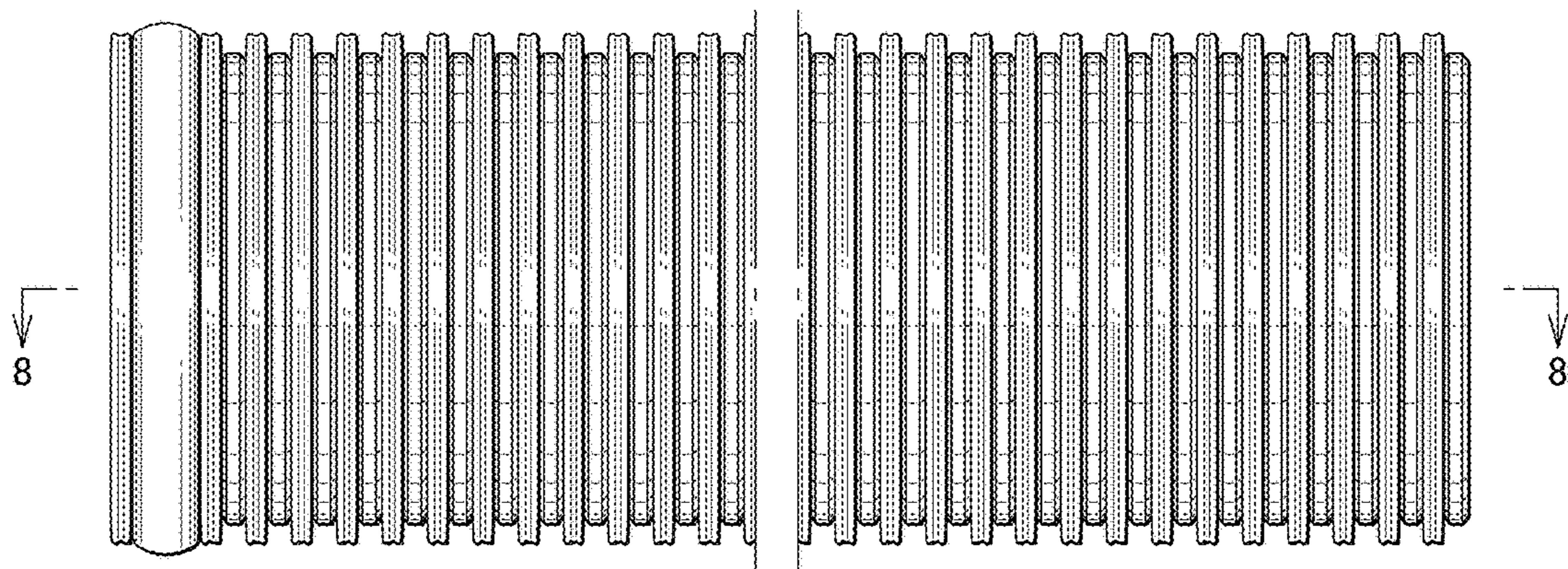


FIG.3

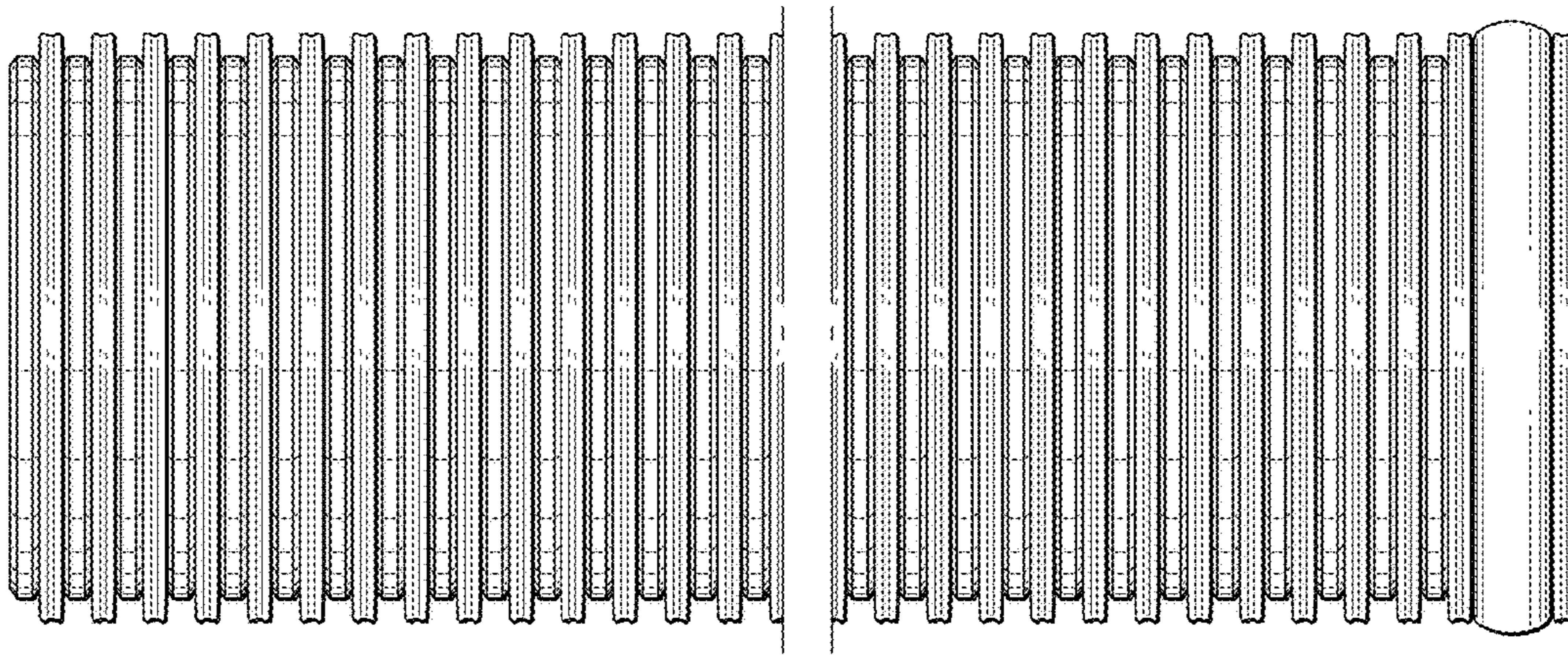


FIG.4

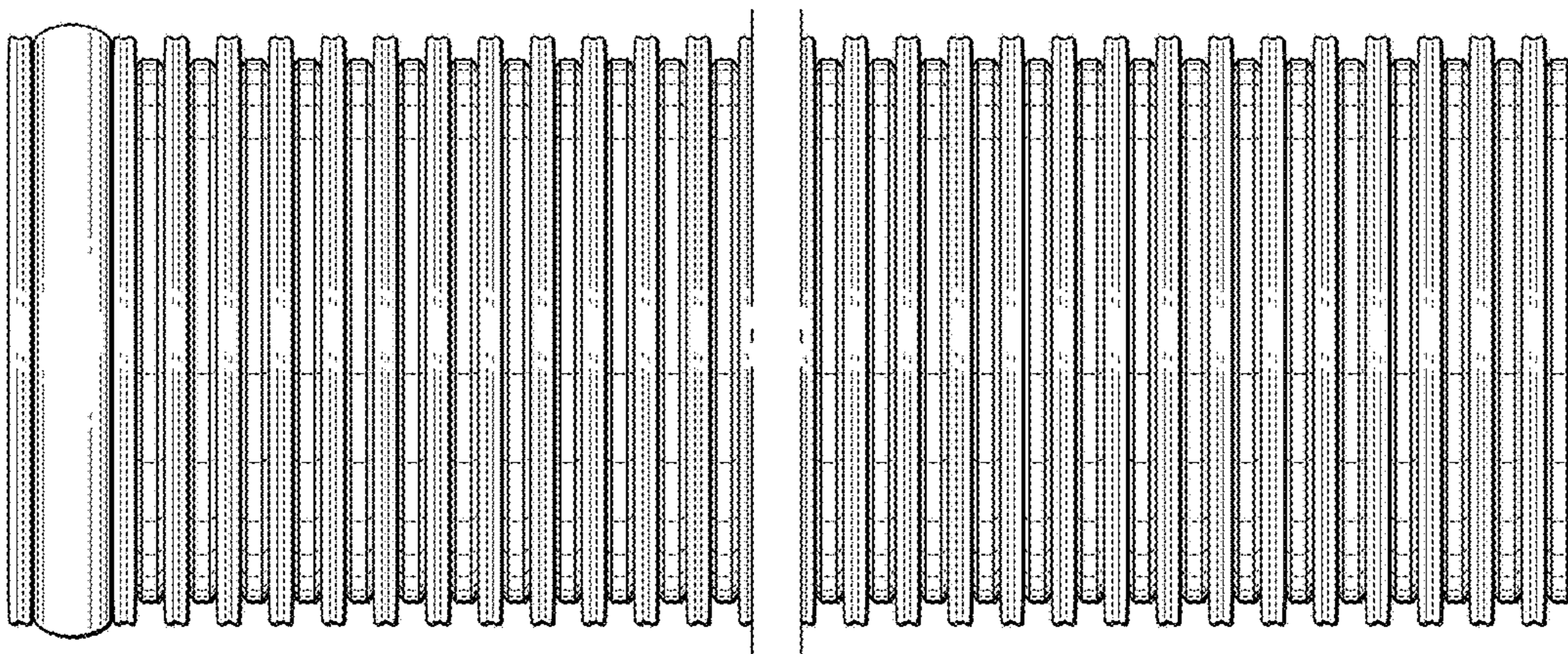


FIG.5

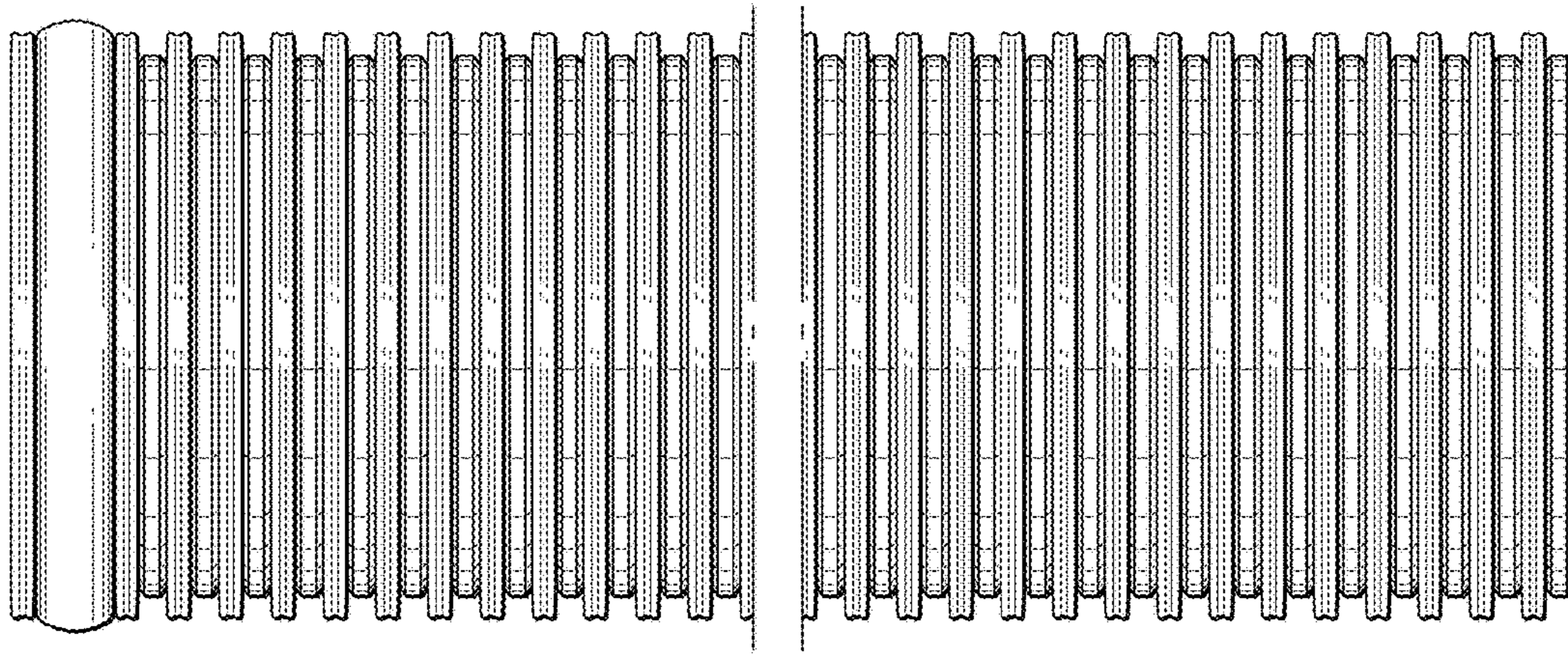


FIG.6

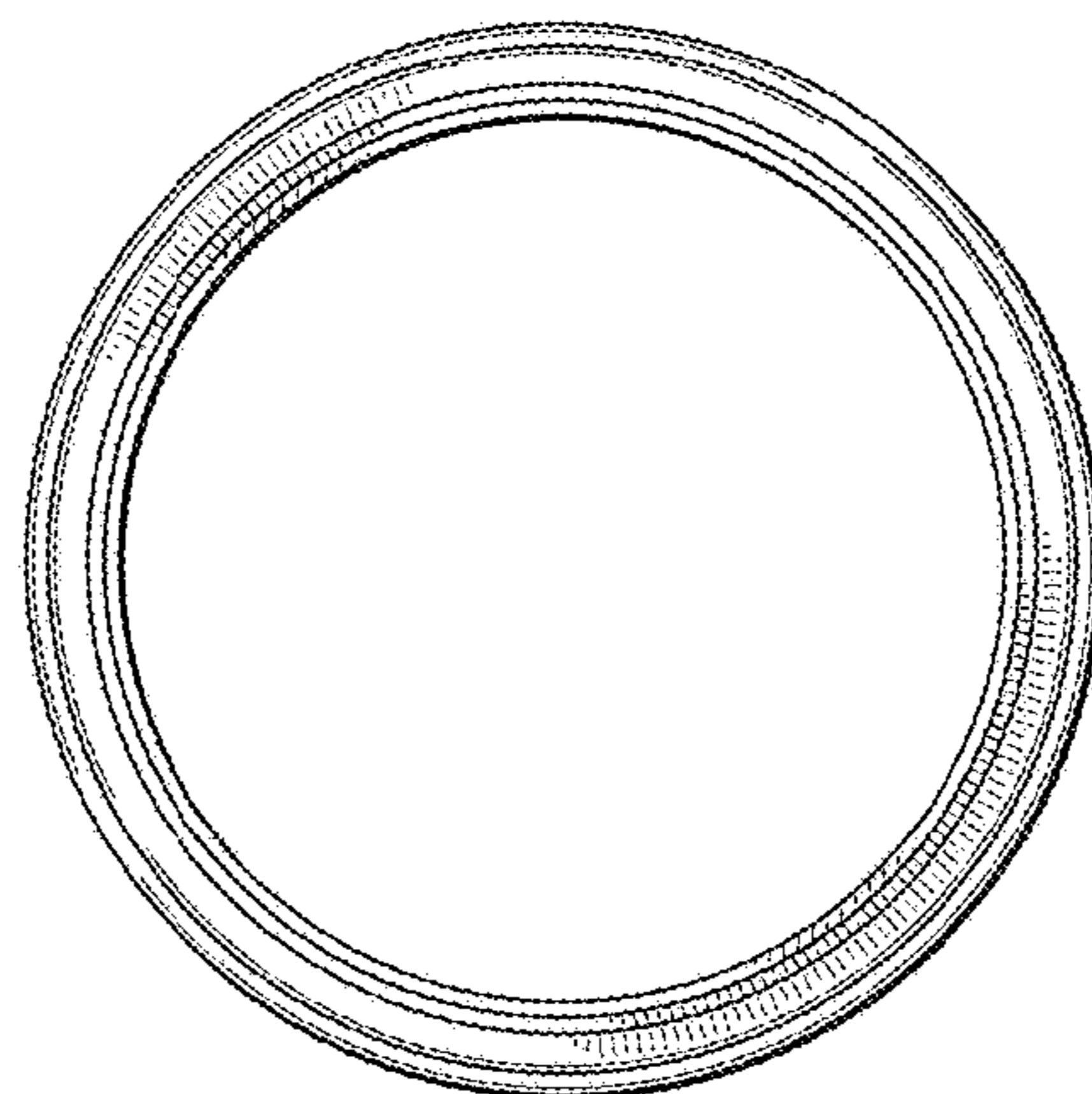


FIG.7

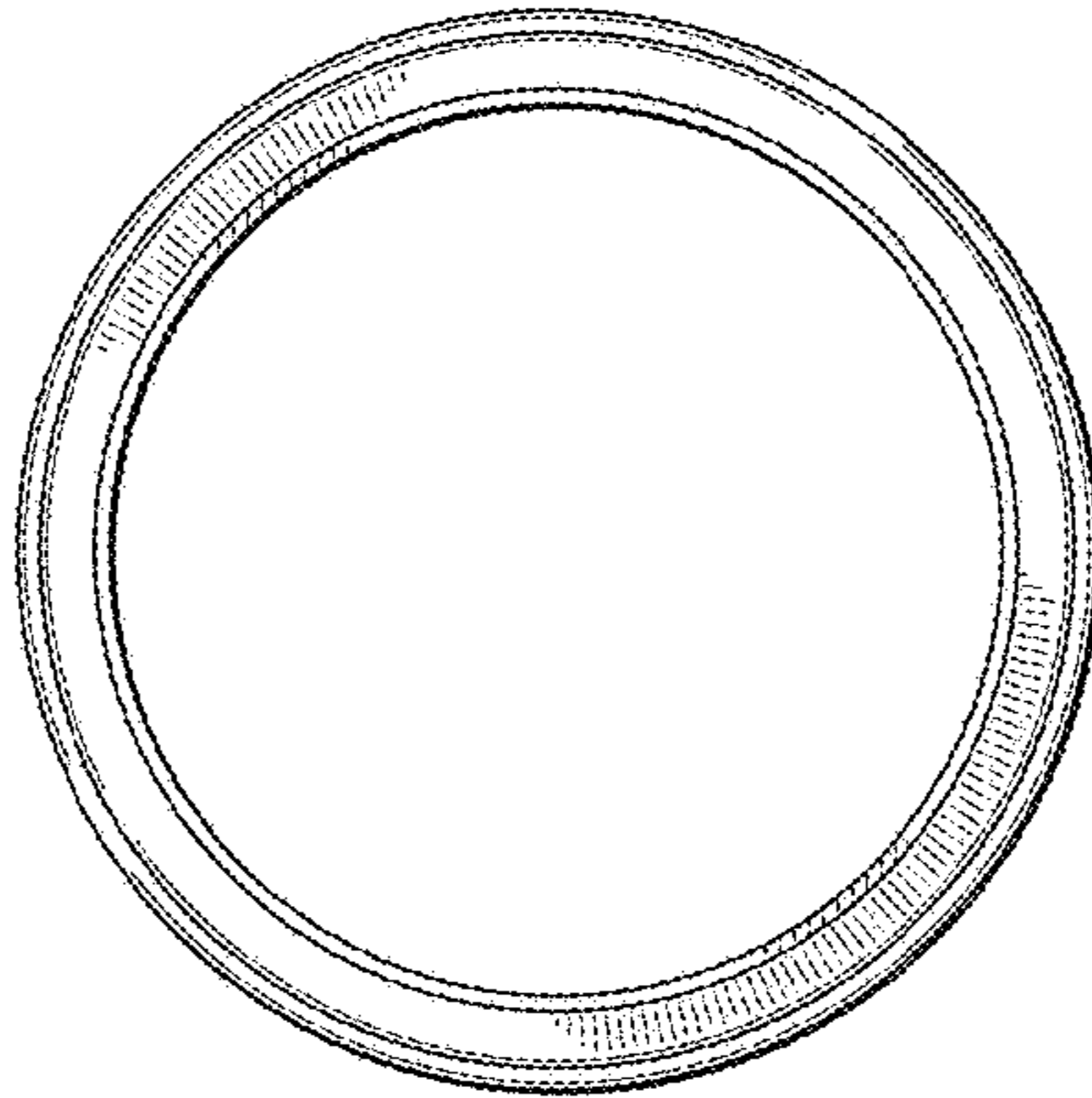


FIG.8

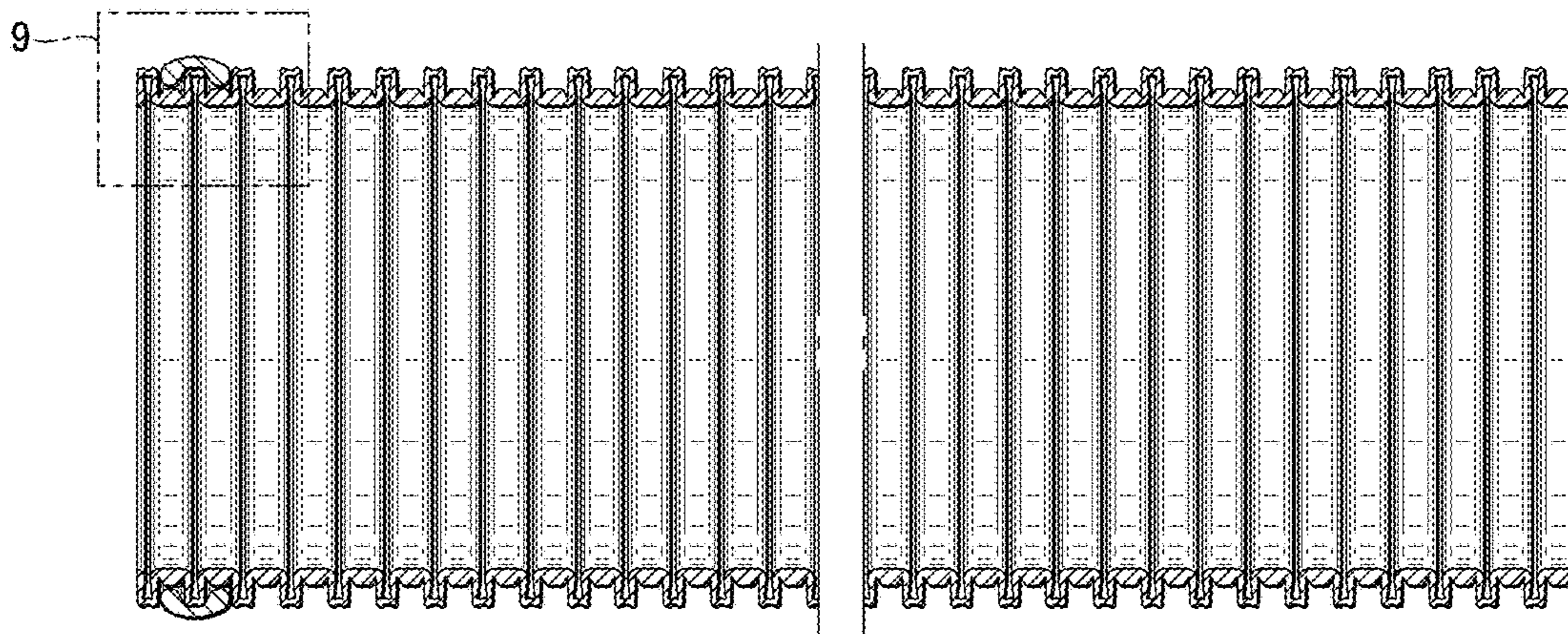


FIG.9

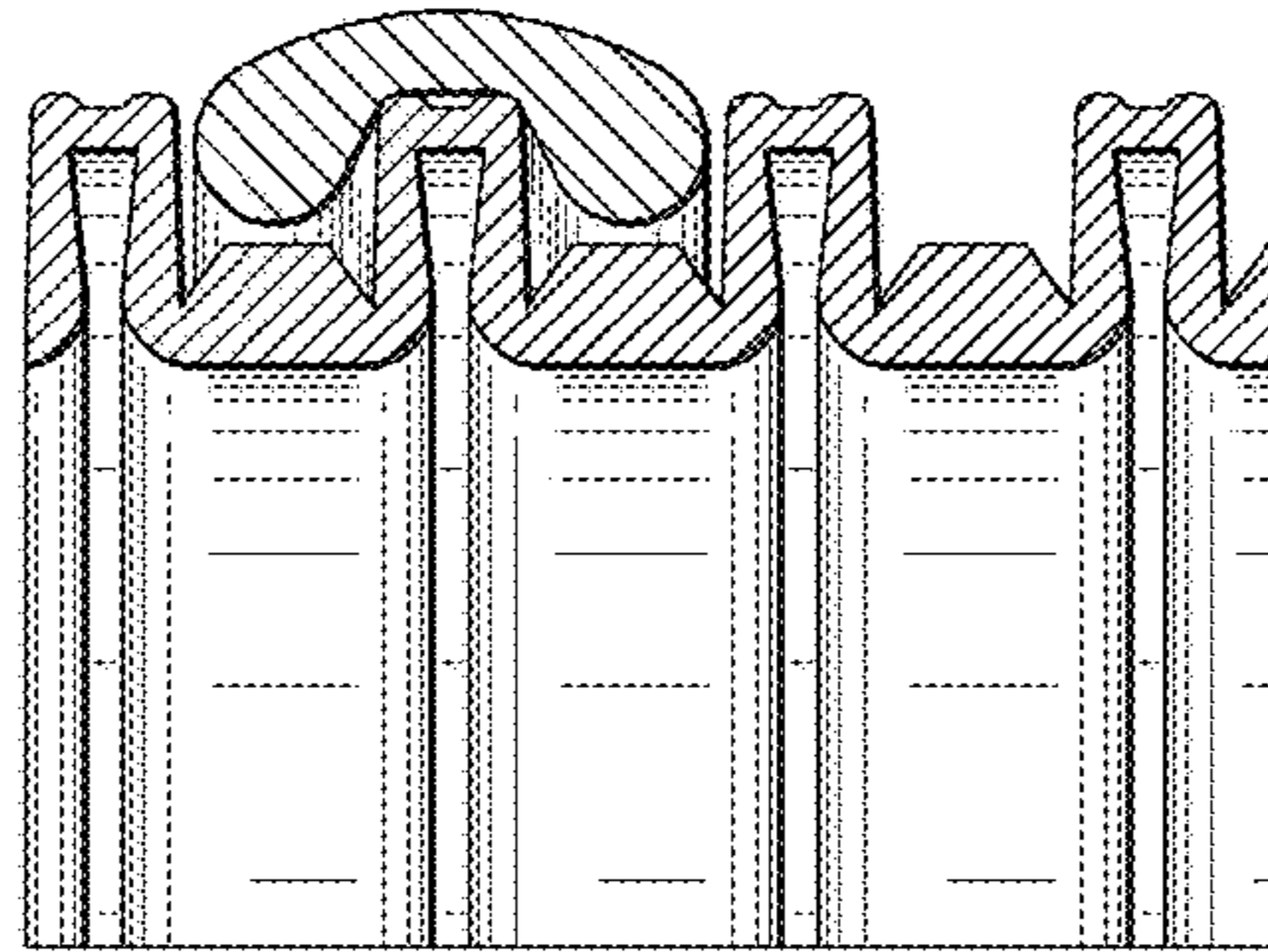
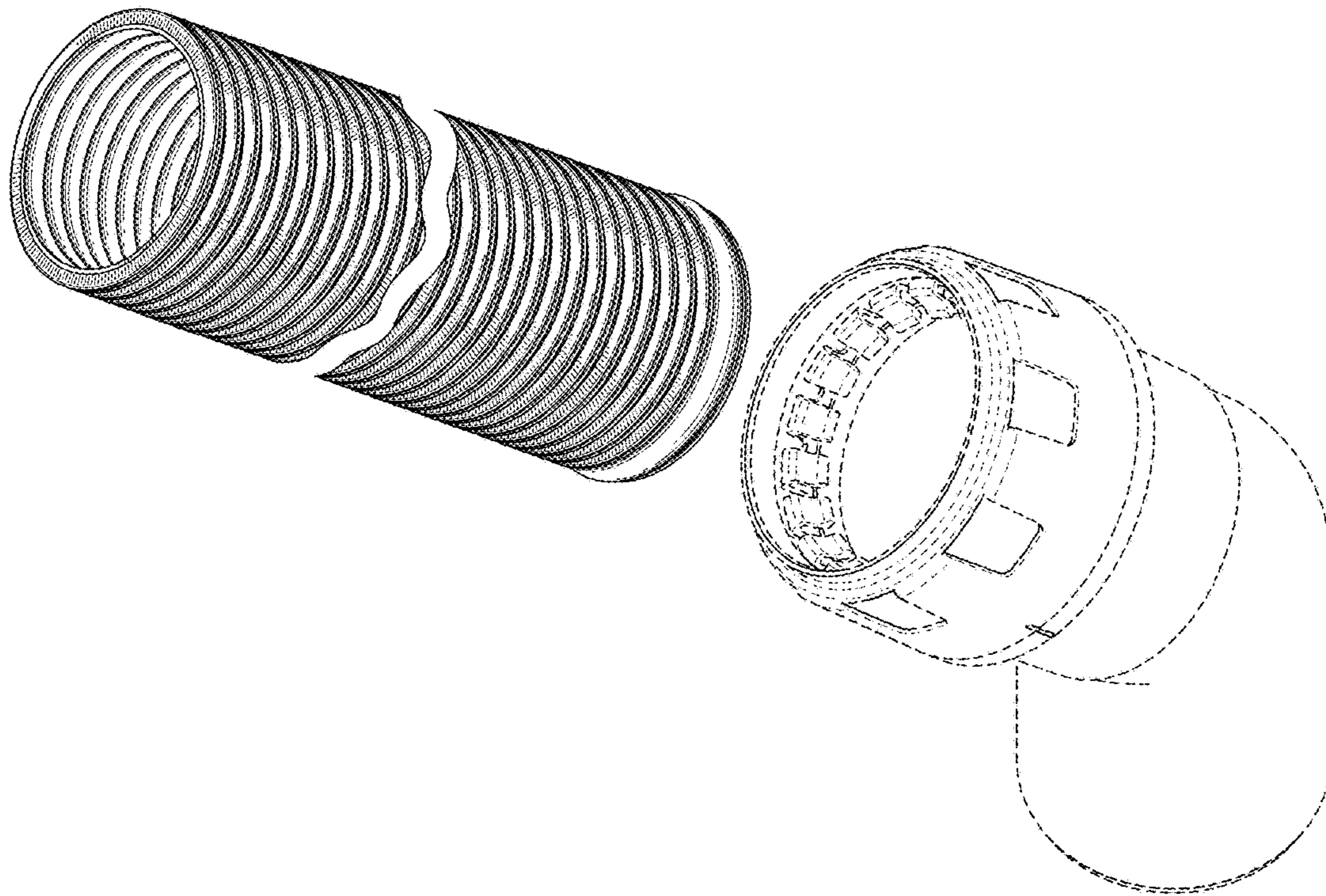


FIG.10



UNITED STATES PATENT AND TRADEMARK OFFICE
CERTIFICATE OF CORRECTION

PATENT NO. : D816,196 S
APPLICATION NO. : 29/578880
DATED : April 24, 2018
INVENTOR(S) : Masaki Sugatani et al.

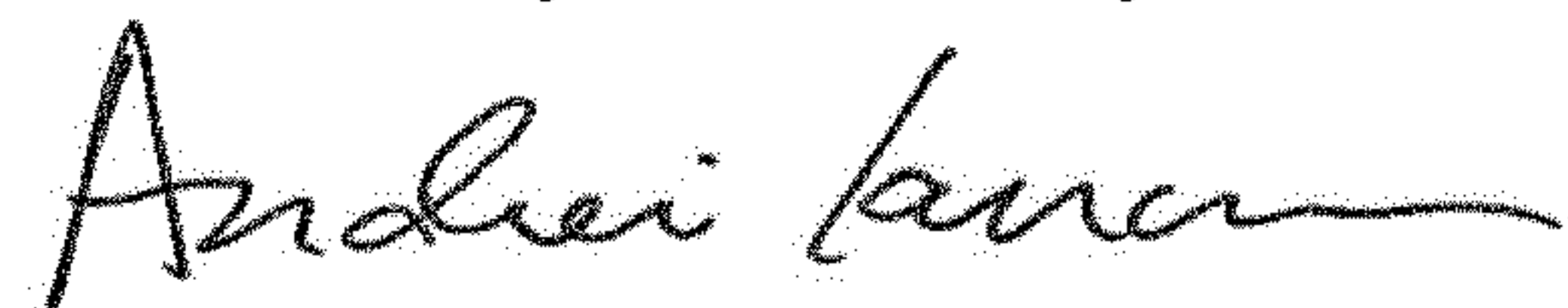
Page 1 of 1

It is certified that error appears in the above-identified patent and that said Letters Patent is hereby corrected as shown below:

On the Title Page

The Assignee, item (73) should read:
-- Assignees:
NORITZ CORPORATION, Hyogo (JP);
Living Engineering Co., Ltd., Tokyo (JP);
Mirai Industry Co., Ltd., Gifu (JP) --

Signed and Sealed this
Fifth Day of February, 2019



Andrei Iancu
Director of the United States Patent and Trademark Office