



US00D816195S

(12) **United States Design Patent**
Li

(10) **Patent No.:** **US D816,195 S**
(45) **Date of Patent:** **** Apr. 24, 2018**

(54) **DRAINAGE CONNECTING PIPE**

(56) **References Cited**

(71) Applicant: **BEIJING RUNDE HONGTU TECHNOLOGY DEVELOPMENT CO. LTD.**, Beijing (CN)

(72) Inventor: **Runfan Li**, Beijing (CN)

(73) Assignee: **BEIJING RUNDE HONGTU TECHNOLOGY DEVELOPMENT CO. LTD.**, Beijing (CN)

(**) Term: **15 Years**

(21) Appl. No.: **29/574,499**

(22) Filed: **Aug. 16, 2016**

(30) **Foreign Application Priority Data**

Feb. 17, 2016 (CN) 2016 3 0045881

(51) **LOC (11) Cl.** **23-01**

(52) **U.S. Cl.**
USPC **D23/266; D23/259**

(58) **Field of Classification Search**
USPC D23/202–203, 238, 259, 262–263, 266, D23/233; 138/40, 44, 109, 140, 38, 39, 138/111; 285/39, 222.1, 242, 245–246, 285/256, 260, 276, 382.4, 58, 124.5, 417, 285/125.1, 127.2, 131.1, 131.2, 152.1, 285/124.1; D24/129; D8/387; 137/54, 137/338, 339; 392/482; 165/172
CPC F16L 37/148; F16L 21/06; F16L 43/001; F16L 43/002; F16L 11/133; F16L 11/16; F16L 11/121; F16L 21/00; E03C 1/20; E03C 1/22; E03C 1/2306

See application file for complete search history.

U.S. PATENT DOCUMENTS

1,629,208	A	*	5/1927	Ernst	E03C 1/22
						138/37
D347,271	S	*	5/1994	Inda	D23/263
D465,012	S	*	10/2002	Tauzer	D23/213
D469,859	S	*	2/2003	Didone	D23/266
D647,598	S	*	10/2011	Matusche	D23/233
D716,417	S	*	10/2014	Harbour	A01K 7/027
						D23/245
D737,409	S	*	8/2015	Waggoner	D23/235
D750,744	S	*	3/2016	Liljeqvist	D23/233
D755,354	S	*	5/2016	Coronado	D23/262
D755,940	S	*	5/2016	Schulze	D23/266
D770,599	S	*	11/2016	Daughters	D23/259

* cited by examiner

Primary Examiner — Eric L Goodman

Assistant Examiner — Amy C Wierenga

(74) *Attorney, Agent, or Firm* — Ohlandt, Greeley, Ruggiero & Perle, LLP

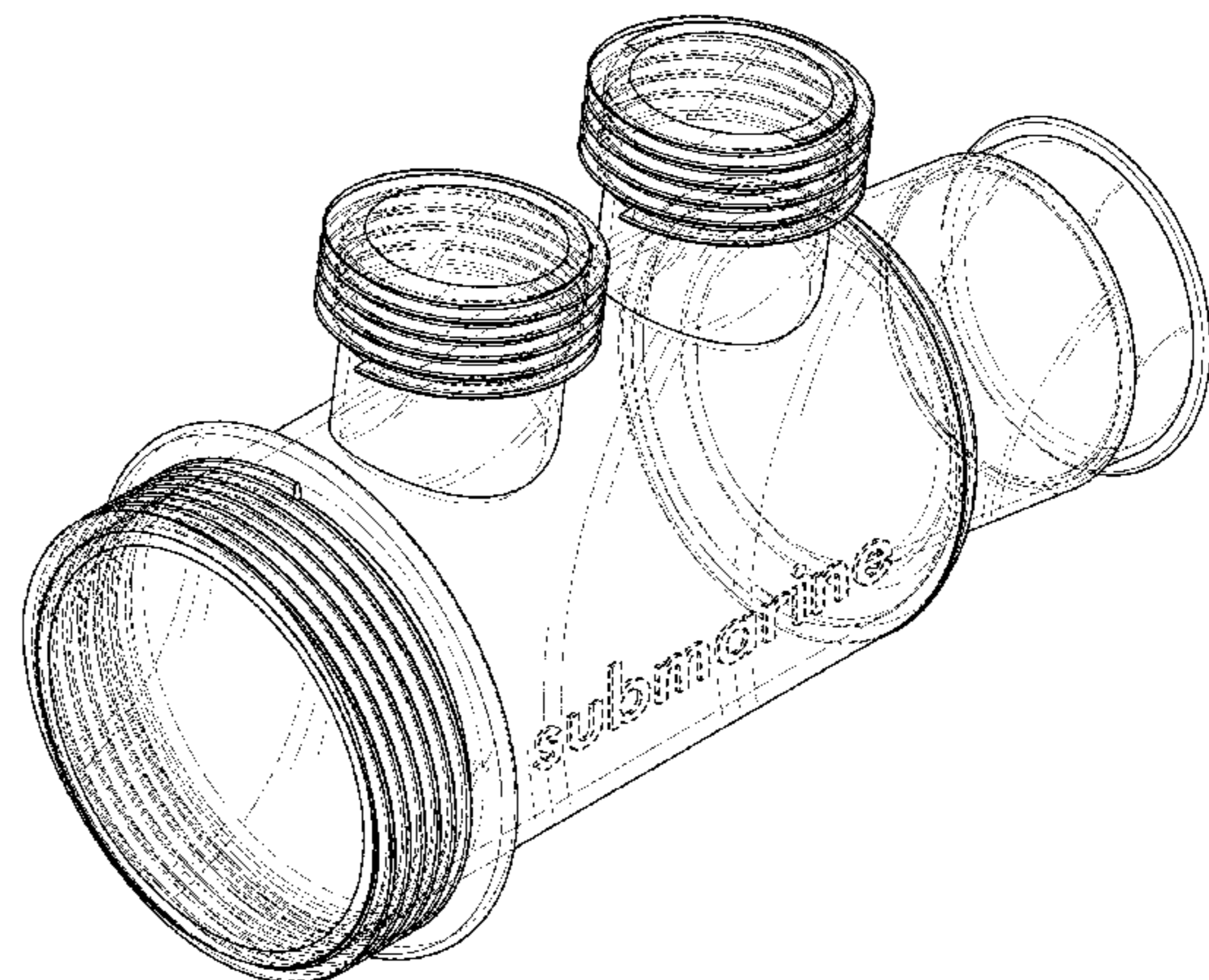
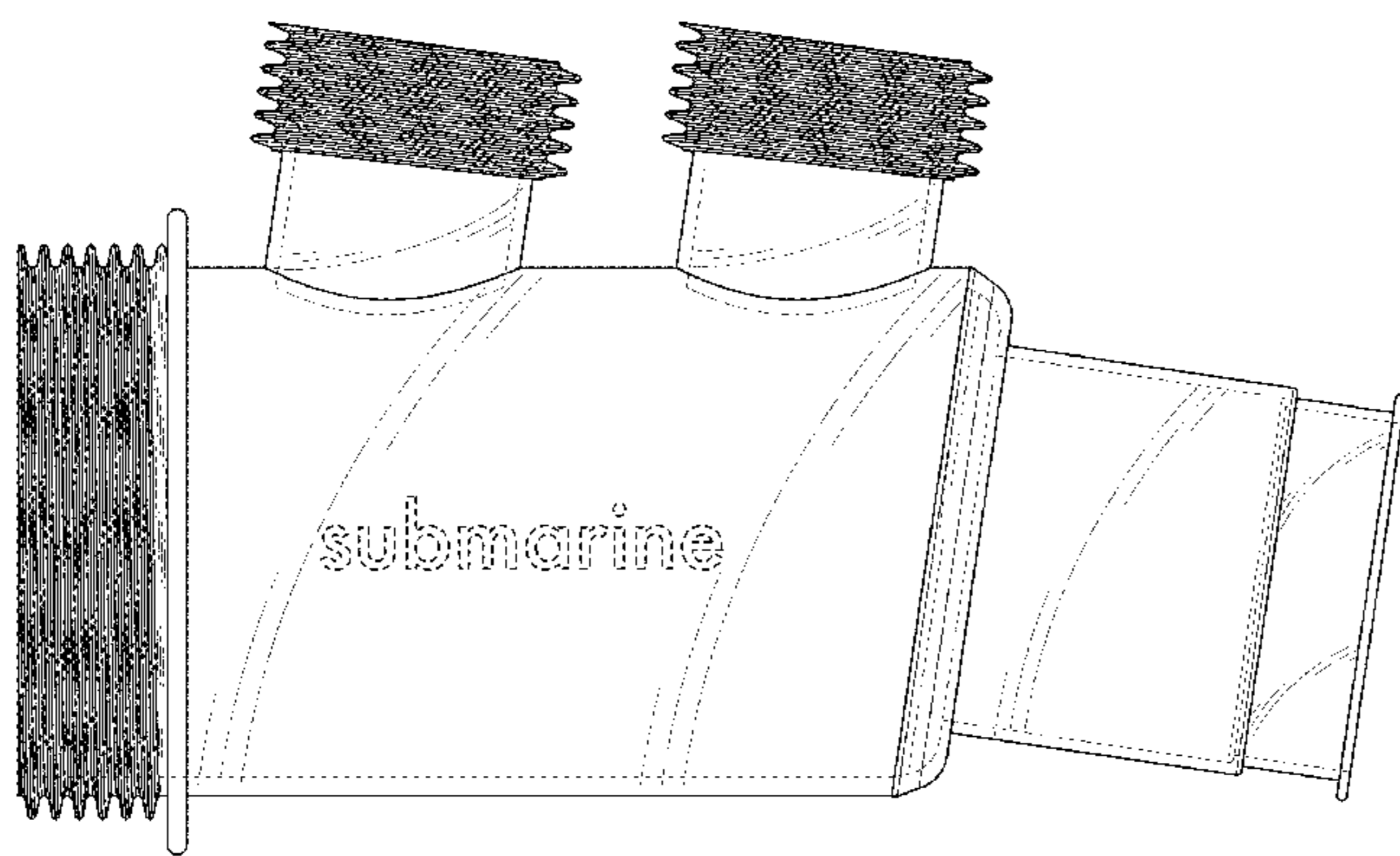
(57) **CLAIM**

The ornamental design for a drainage connecting pipe, as shown.

DESCRIPTION

FIG. 1 is a front view of a drainage connecting pipe according to the present application;
FIG. 2 is a rear view of the drainage connecting pipe;
FIG. 3 is a left view of the drainage connecting pipe;
FIG. 4 is a right view of the drainage connecting pipe;
FIG. 5 is a top view of the drainage connecting pipe;
FIG. 6 is a bottom view of the drainage connecting pipe;
and,
FIG. 7 is a perspective view of the drainage connecting pipe.

1 Claim, 7 Drawing Sheets



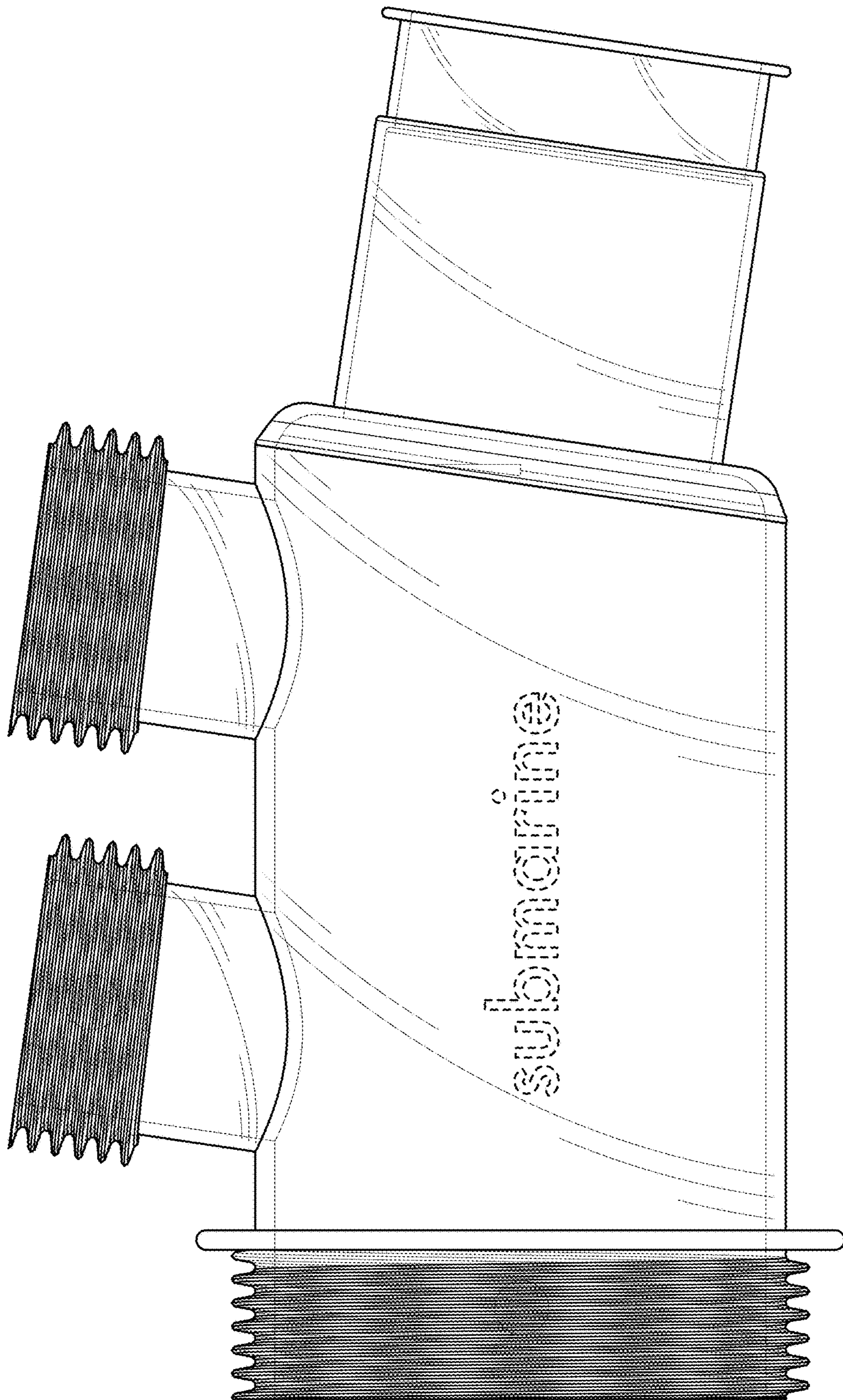


FIG. 1

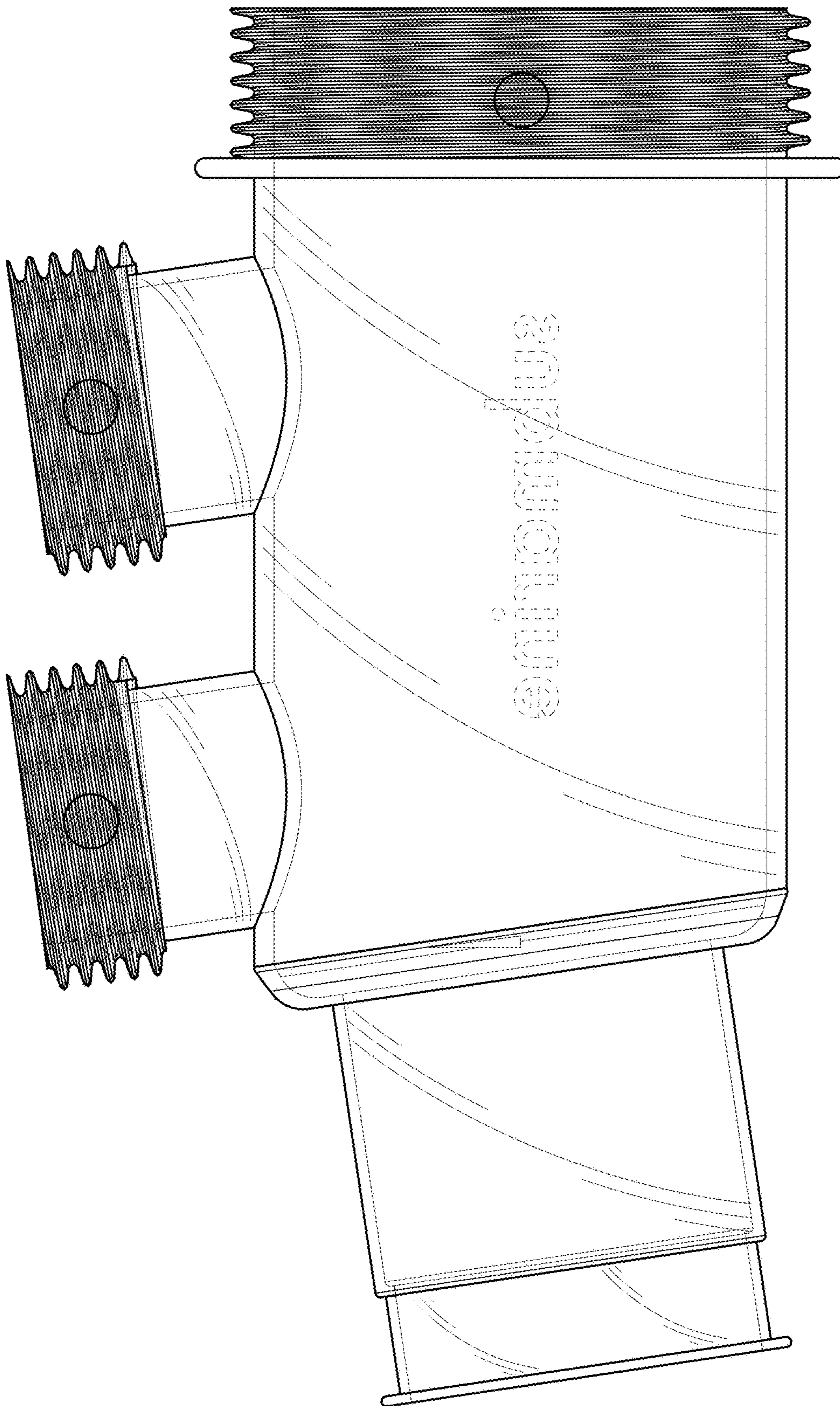


FIG. 2

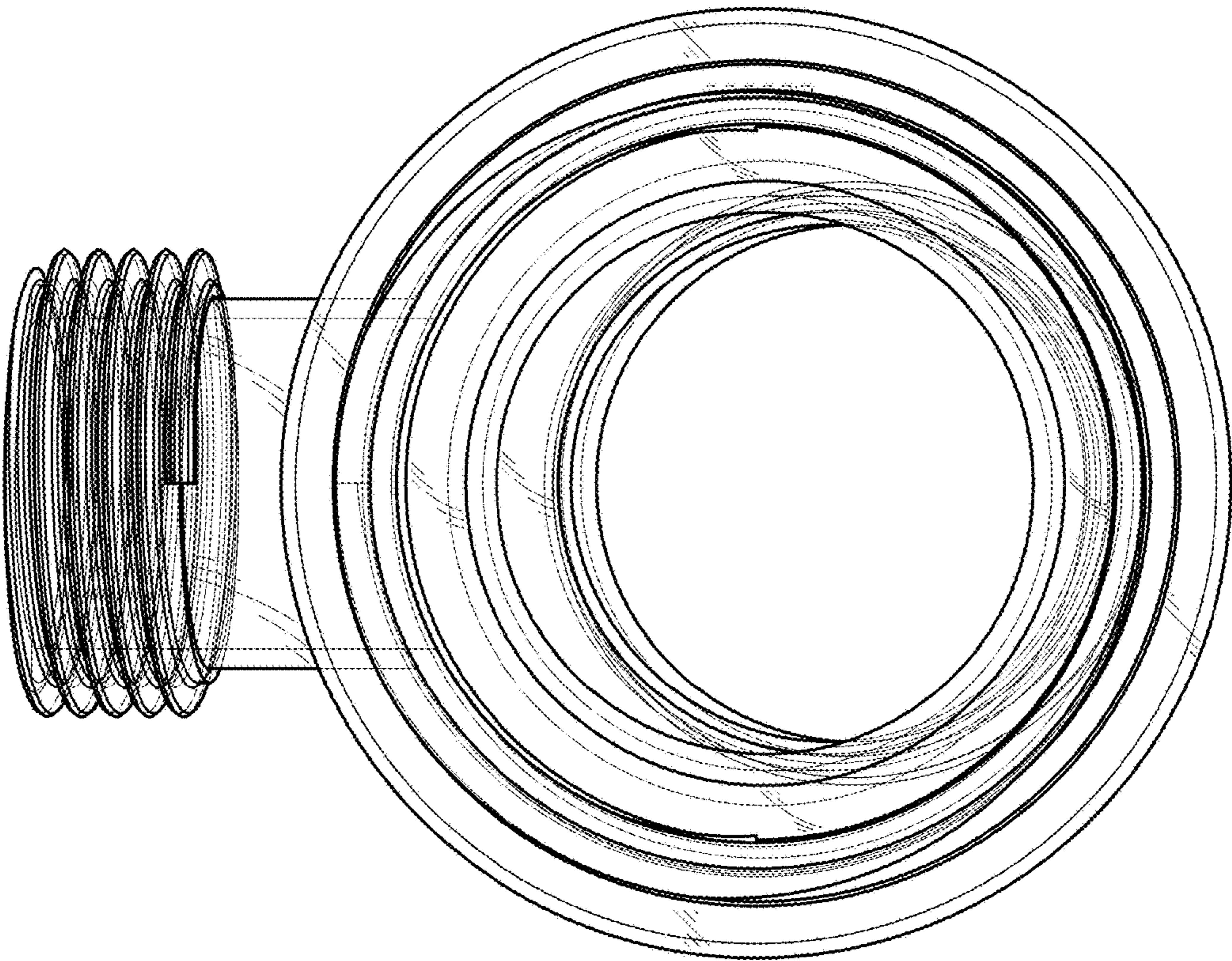


FIG. 3

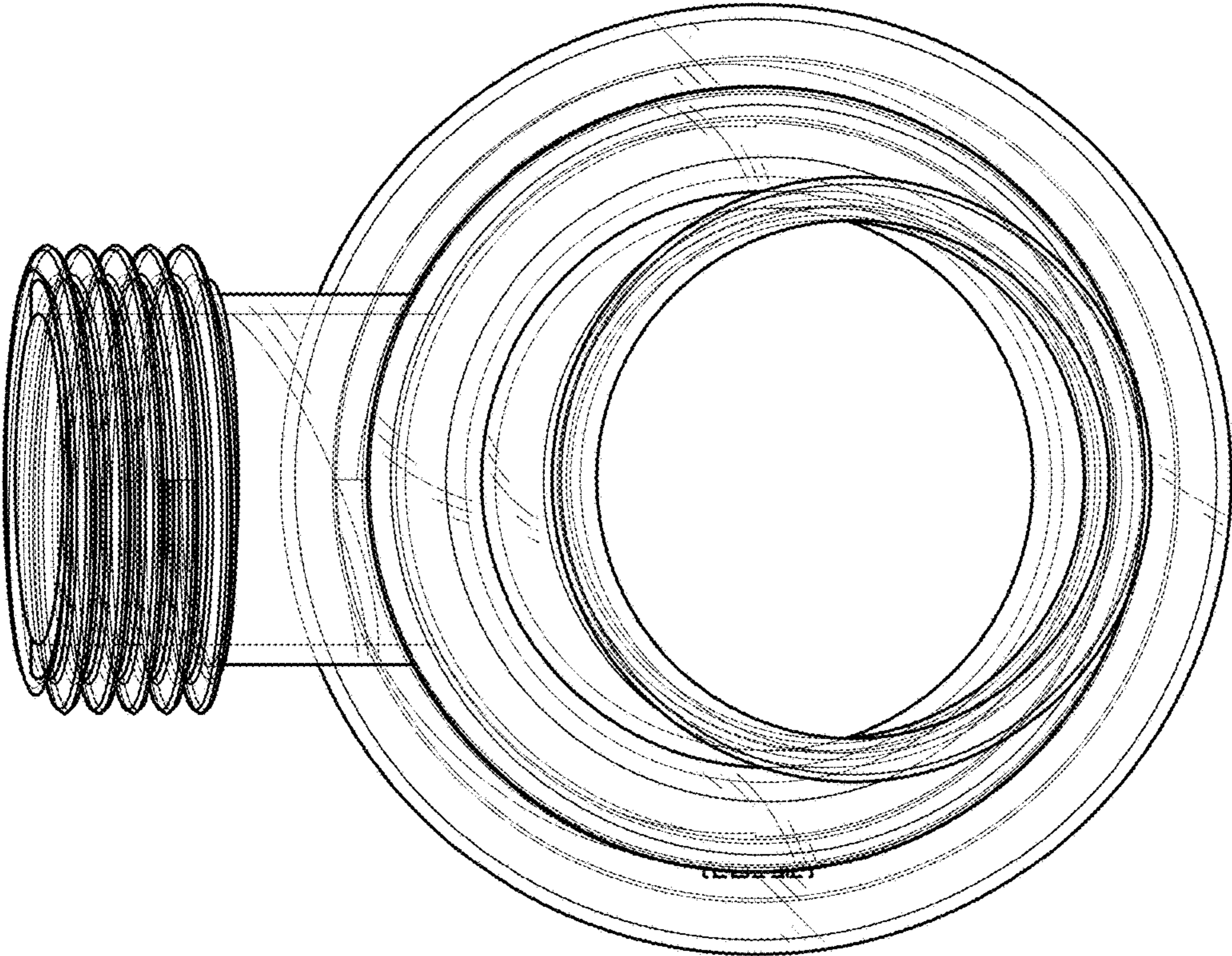


FIG. 4

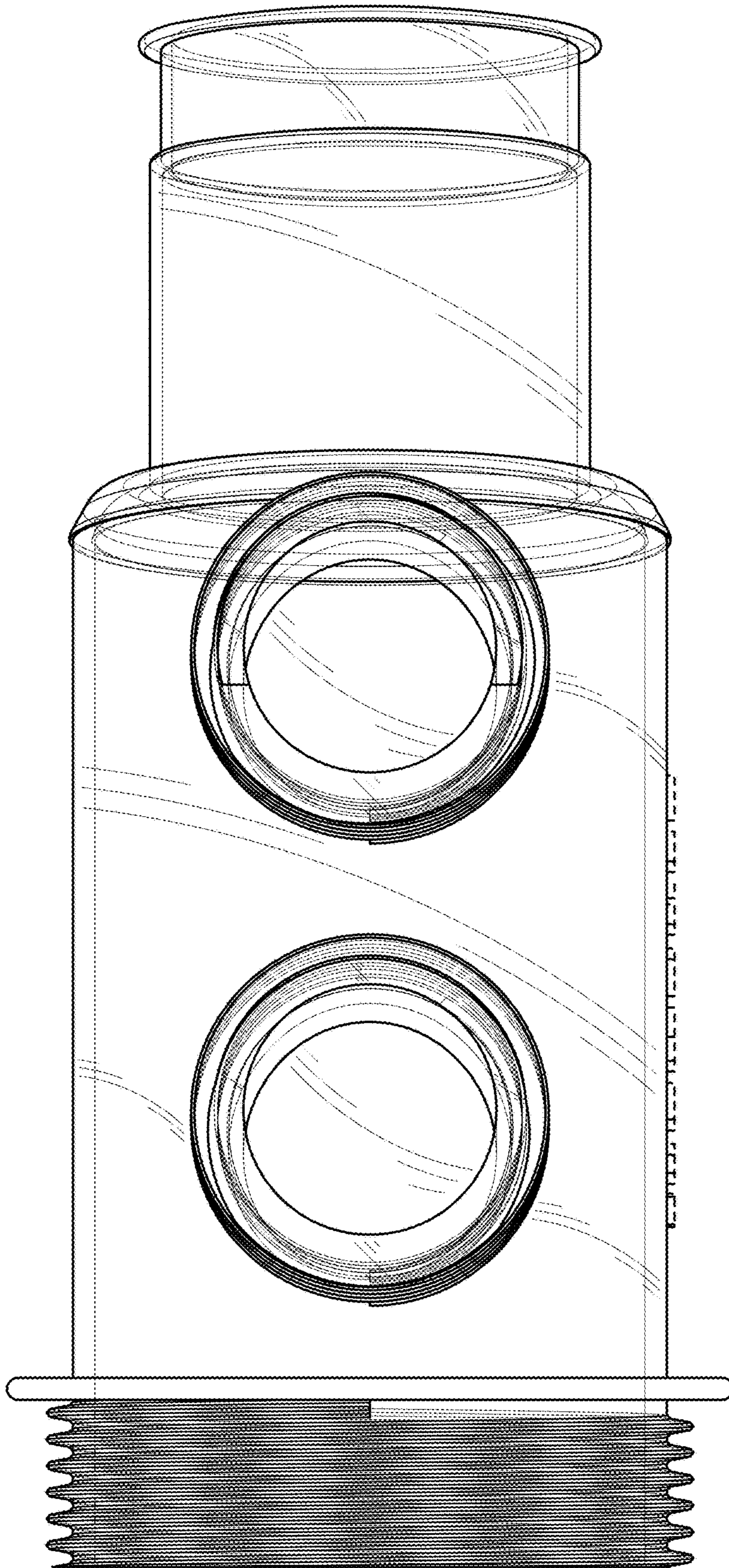


FIG. 5

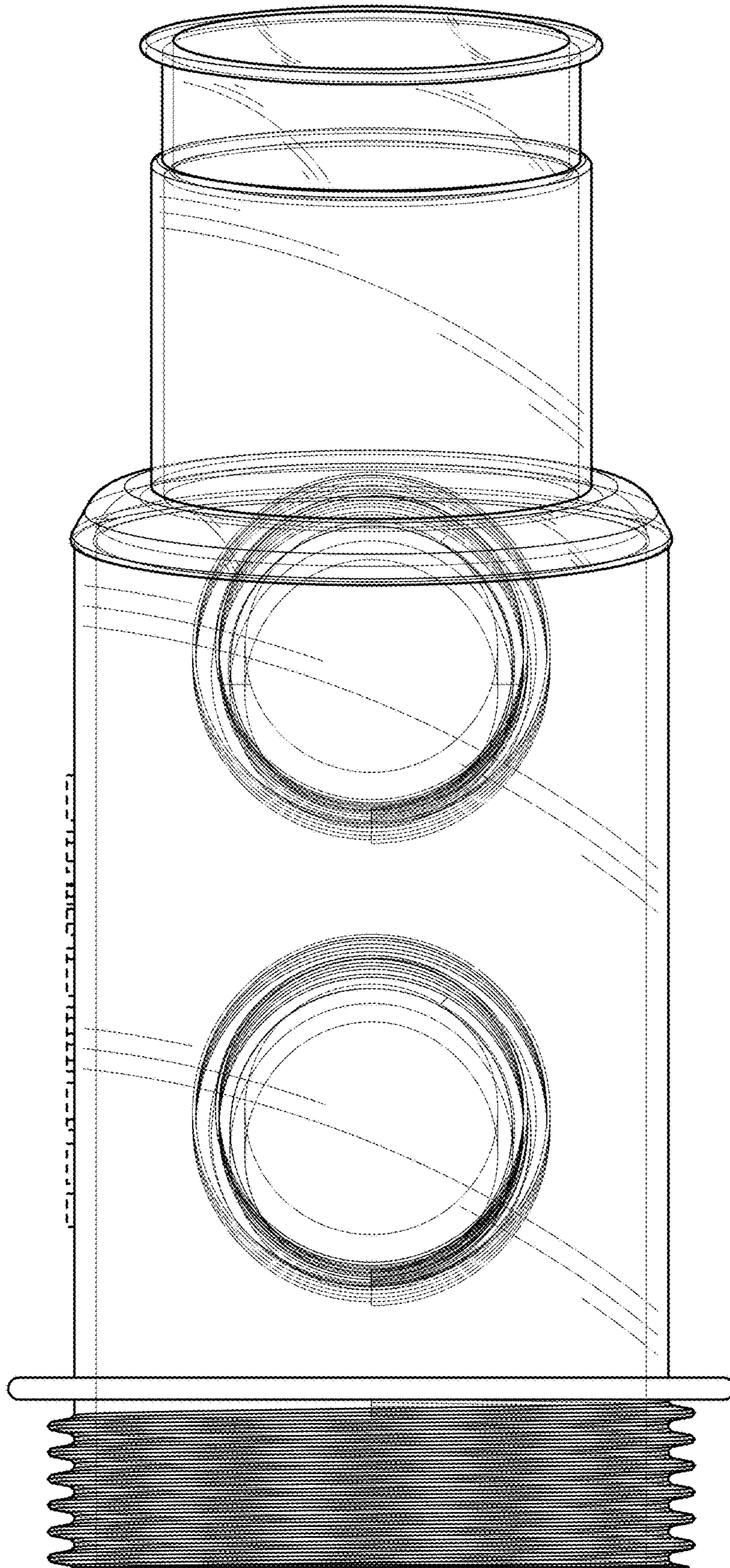


FIG. 6

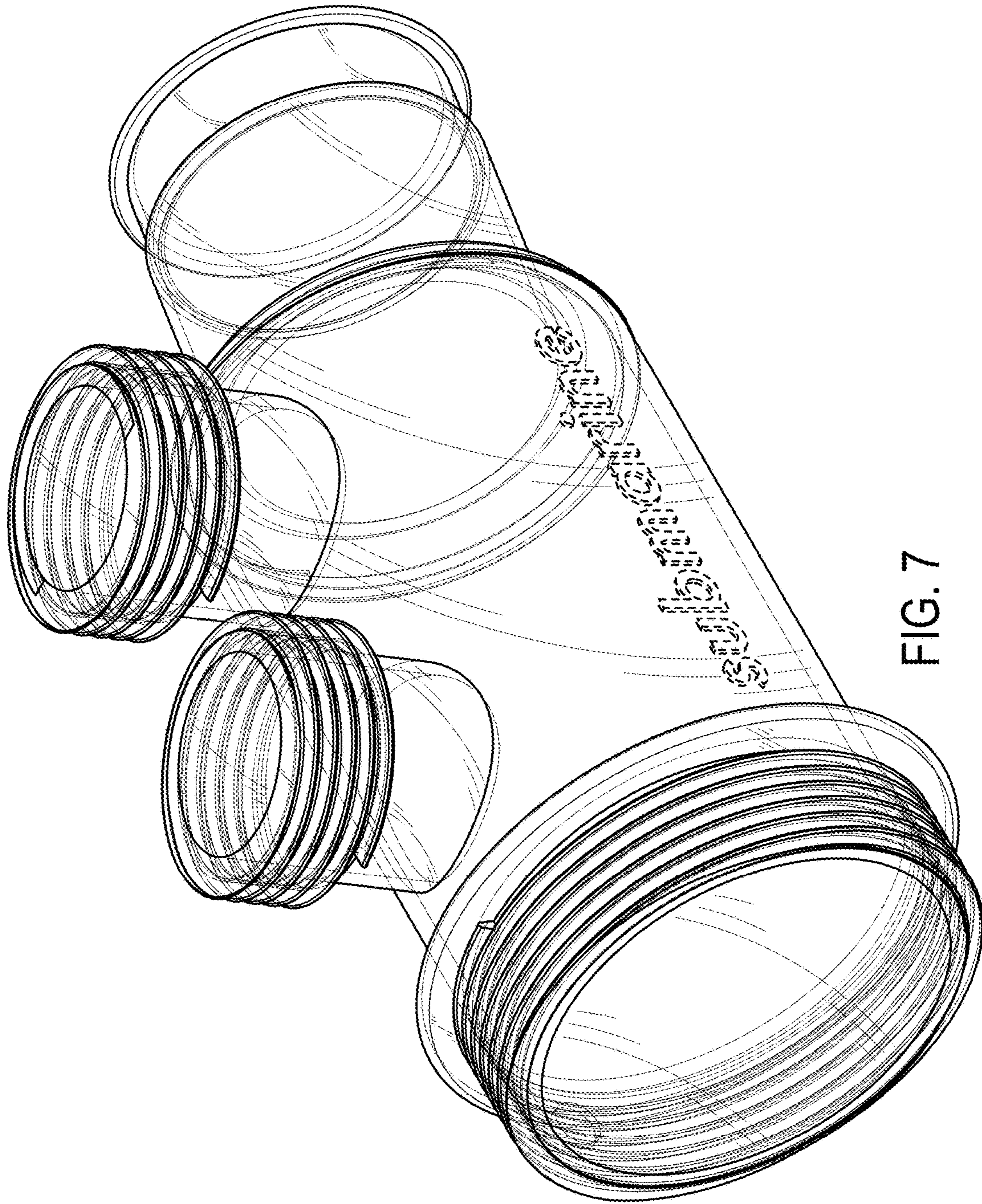


FIG. 7