



US00D816191S

(12) **United States Design Patent**
Cove et al.

(10) **Patent No.:** **US D816,191 S**
(45) **Date of Patent:** **** Apr. 24, 2018**

- (54) **PLUMBING FITTING**
- (71) Applicant: **5132887 Manitoba Ltd.**, Lac du Bonnet (CA)
- (72) Inventors: **Curtis D. Cove**, Lac du Bonnet, CA (US); **Ronald Harry Rueckert**, Lac du Bonnet (CA)
- (**) Term: **15 Years**
- (21) Appl. No.: **29/567,785**
- (22) Filed: **Jun. 13, 2016**
- (51) **LOC (11) Cl.** **23-01**
- (52) **U.S. Cl.**
USPC **D23/259**
- (58) **Field of Classification Search**
USPC D23/259, 262-266; D13/133; 285/24, 285/27, 31, 121.1, 123.3, 148.19, 148.22, 285/347, 199, 369, 372, 373, 417; 137/12, 47, 220, 804; 138/37, 103, 109, 138/113, 120, 140, 155
CPC . F16L 33/23; F16L 33/28; F16L 33/00; F16L 33/01; F16L 41/00; F16L 41/06; F16L 21/005; E03C 1/26; E03C 1/28; E03C 1/262; B29C 33/123
See application file for complete search history.

- (56) **References Cited**
U.S. PATENT DOCUMENTS
3,871,692 A * 3/1975 Brownfield F16L 15/006
285/390
5,139,290 A * 8/1992 Shafer F16L 17/04
285/112
D427,668 S * 7/2000 Stout, Jr. D23/262

- D430,482 S * 9/2000 Stout, Jr. D23/262
- 7,234,732 B2 * 6/2007 Ball F16L 13/161
285/148.19
- D602,128 S * 10/2009 Williams D23/262
- 8,474,878 B2 * 7/2013 Richter F16B 2/246
285/319
- D723,667 S * 3/2015 Locke D23/266
- D788,886 S * 6/2017 Salzer D23/259
- 2006/0266964 A1 * 11/2006 Farley F16L 37/23
251/82
- 2011/0156384 A1 * 6/2011 Hennemann F16L 15/08
285/55
- 2012/0139236 A1 * 6/2012 Novitsky B21D 41/00
285/399

* cited by examiner

Primary Examiner — Eric L Goodman
Assistant Examiner — Amy C Wierenga
(74) *Attorney, Agent, or Firm* — Ryan W. Dupuis; Ade + Company Inc.; Kyle R. Satterthwaite

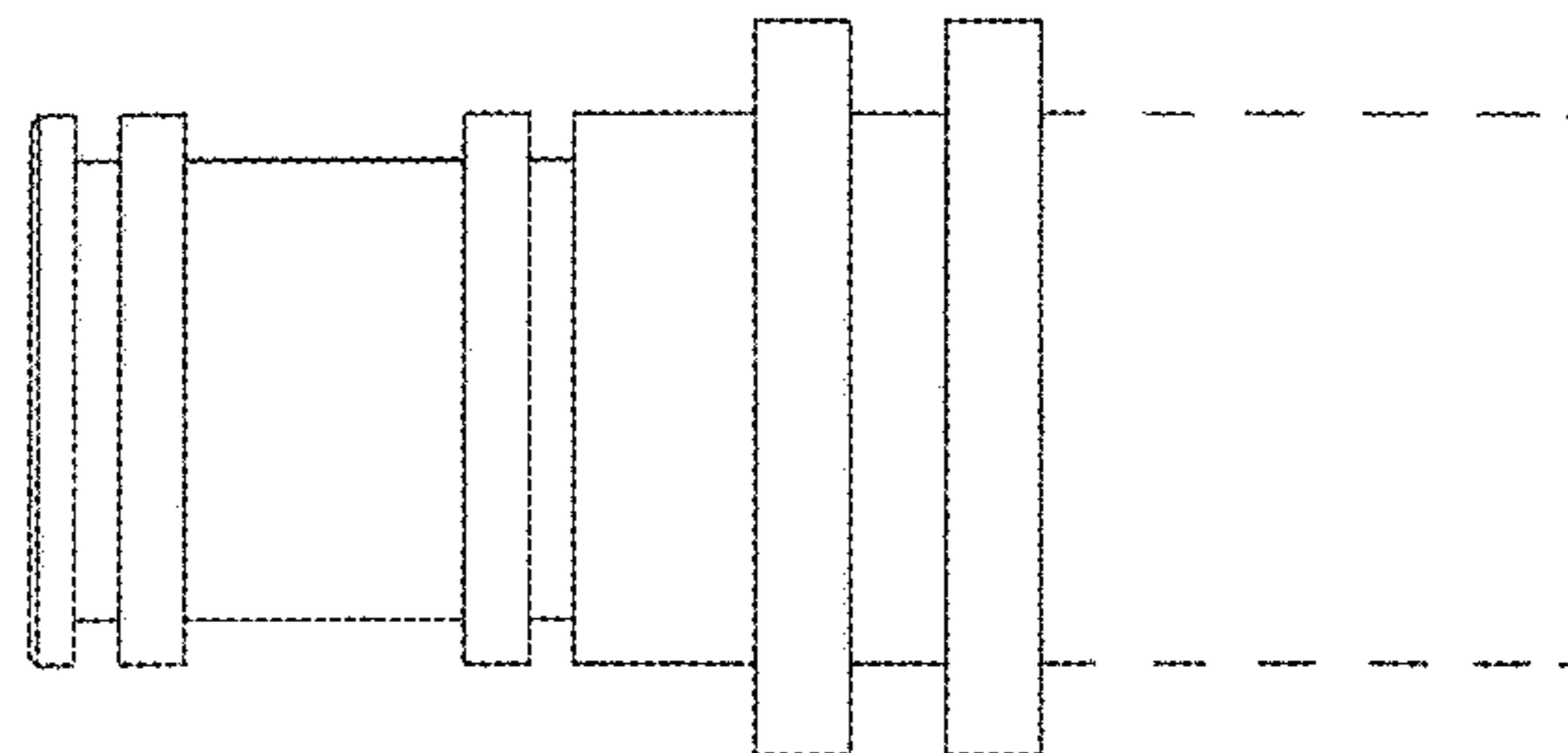
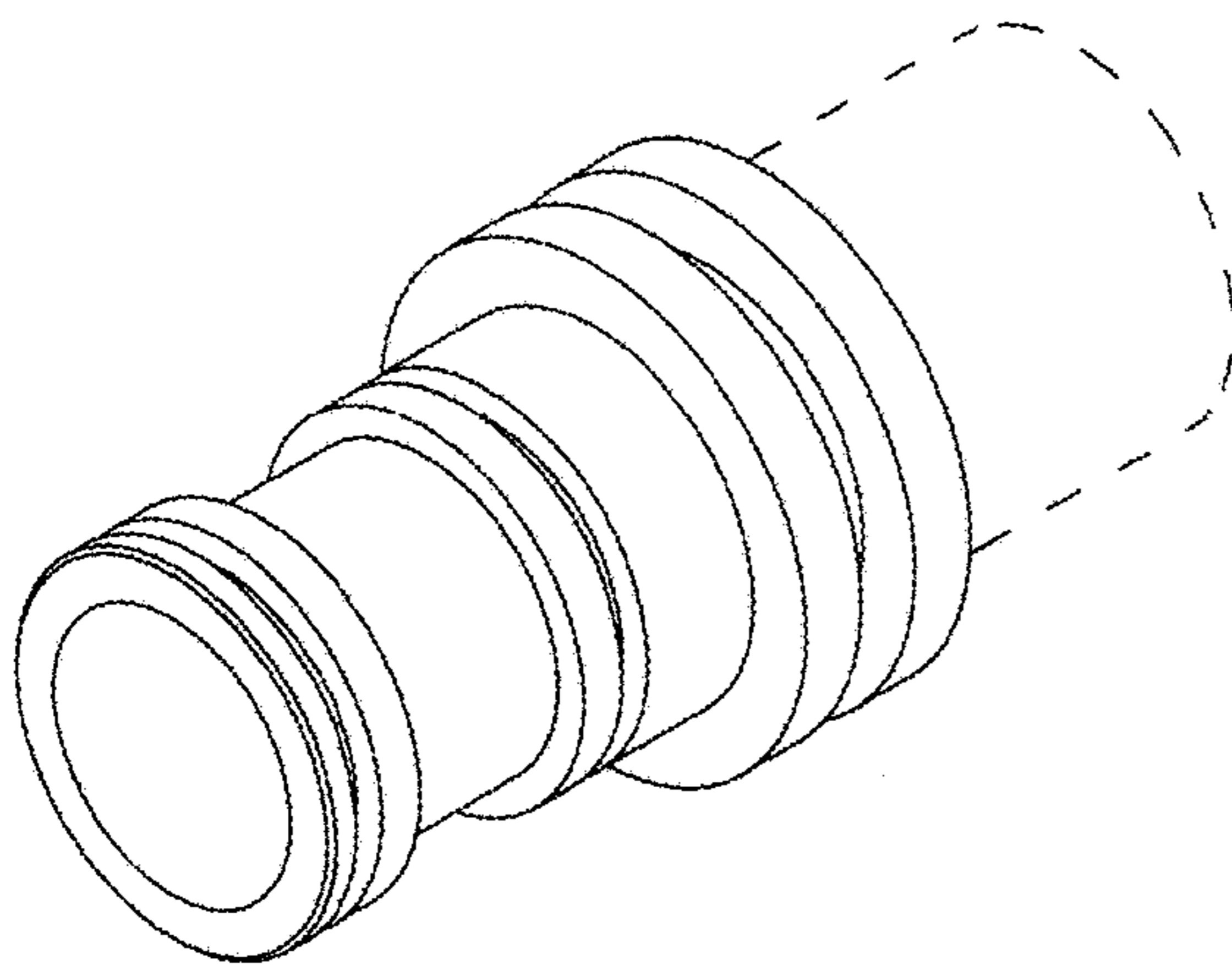
(57) **CLAIM**

The ornamental design for a plumbing fitting, as shown and described.

DESCRIPTION

FIG. 1 is a perspective view of one side and a first end of the plumbing fitting;
FIG. 2 is an end view of the first end of the plumbing fitting; and,
FIG. 3 is a side view of the plumbing fitting in which the opposing side view, the top view, and the bottom view are identical to the side view shown.
The broken lines represent portions of the plumbing which do not form part of the claimed design.

1 Claim, 2 Drawing Sheets



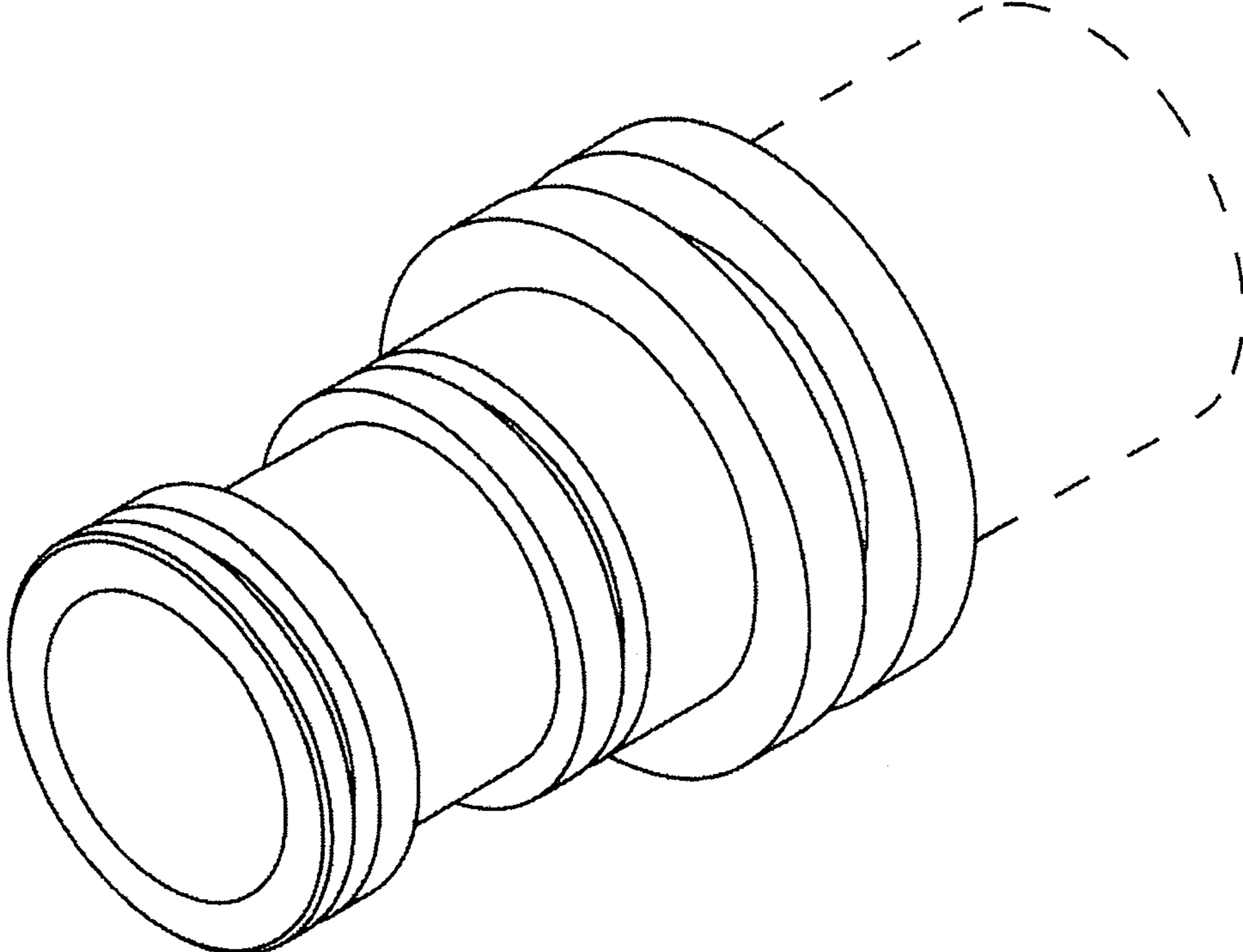


FIG. 1

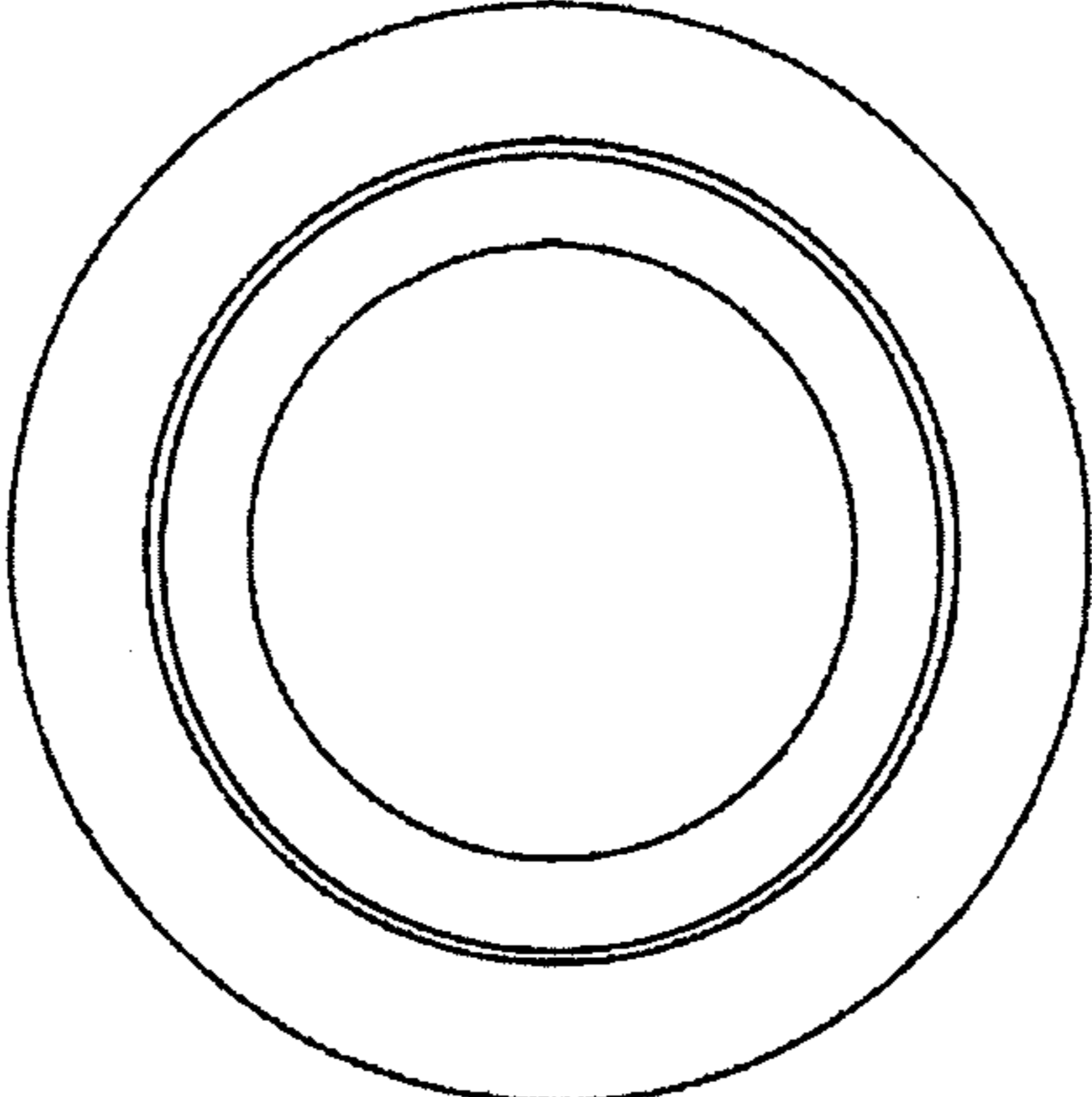


FIG. 2

