



US00D816190S

(12) **United States Design Patent**
Schoenherr et al.

(10) **Patent No.:** **US D816,190 S**
(45) **Date of Patent:** **** Apr. 24, 2018**

(54) **SHOWER CONTROL PANEL**
(71) Applicant: **HANSGROHE SE**, Schiltach (DE)
(72) Inventors: **Tom Schoenherr**, Stuttgart (DE);
Matthias Oesterle, Winterbach (DE)
(**) Term: **15 Years**
(21) Appl. No.: **29/588,104**
(22) Filed: **Dec. 19, 2016**

D764,028 S * 8/2016 Schoenherr D23/254
D772,177 S * 11/2016 Hickok D13/177
D800,672 S * 10/2017 Poulheim D13/164

FOREIGN PATENT DOCUMENTS

EM 001759432-0015 9/2010
EM 001759432-0018 9/2010
EM 001759432-0020 9/2010
EM 001976416-0007 1/2012
EM 002334011-0005 10/2013
EM 002334011-0014 10/2013

* cited by examiner

(30) **Foreign Application Priority Data**

Jun. 21, 2016 (EM) 003231604-0006
(51) **LOC (11) Cl.** **23-01**
(52) **U.S. Cl.**
USPC **D23/254**
(58) **Field of Classification Search**
USPC D23/238-243, 249-250, 252, 254, 304;
D8/353
CPC Y10T 137/9464
See application file for complete search history.

Primary Examiner — Robert A Delehanty

(74) *Attorney, Agent, or Firm* — Lora J. Graenzdoerffer

(57) **CLAIM**

The ornamental design for a shower control panel, as shown and described.

DESCRIPTION

FIG. 1 is a perspective view;
FIG. 2 is a front elevation view;
FIG. 3 is a rear elevation view;
FIG. 4 is a right side elevation view;
FIG. 5 is a left side elevation view;
FIG. 6 is a top plan view; and,
FIG. 7 is a bottom plan view.

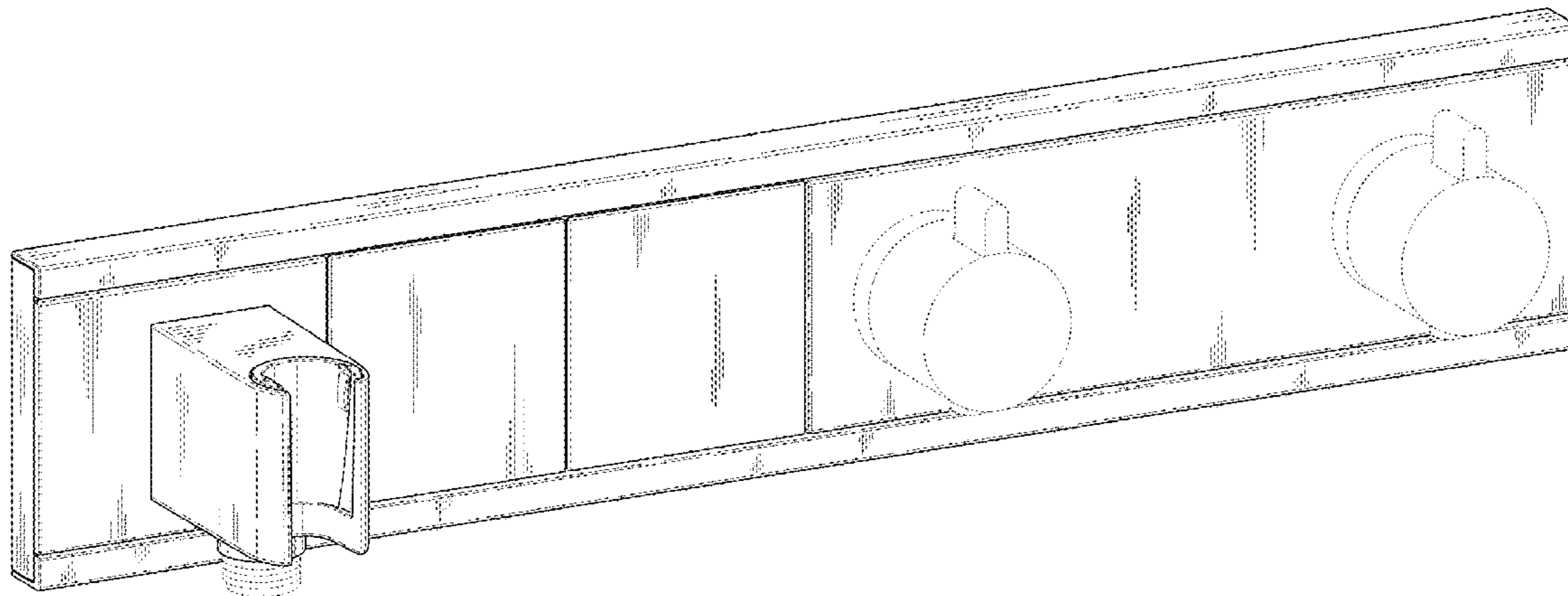
The broken lines indicate portions of the shower control panel that form no part of the claimed design.

1 Claim, 7 Drawing Sheets

(56) **References Cited**

U.S. PATENT DOCUMENTS

D509,564 S * 9/2005 Jorgensen D23/238
D618,082 S * 6/2010 Lambrou D8/353
D700,287 S * 2/2014 Schoenherr D23/239
D746,422 S * 12/2015 Schoenherr D23/304



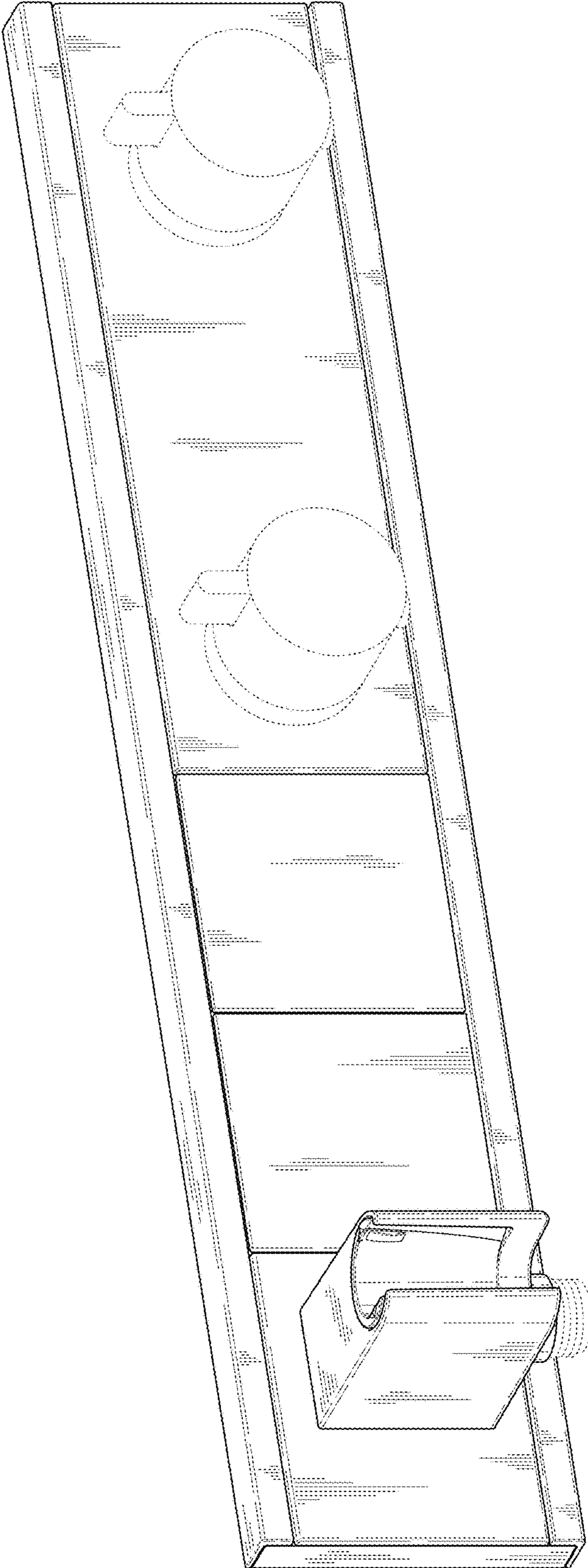
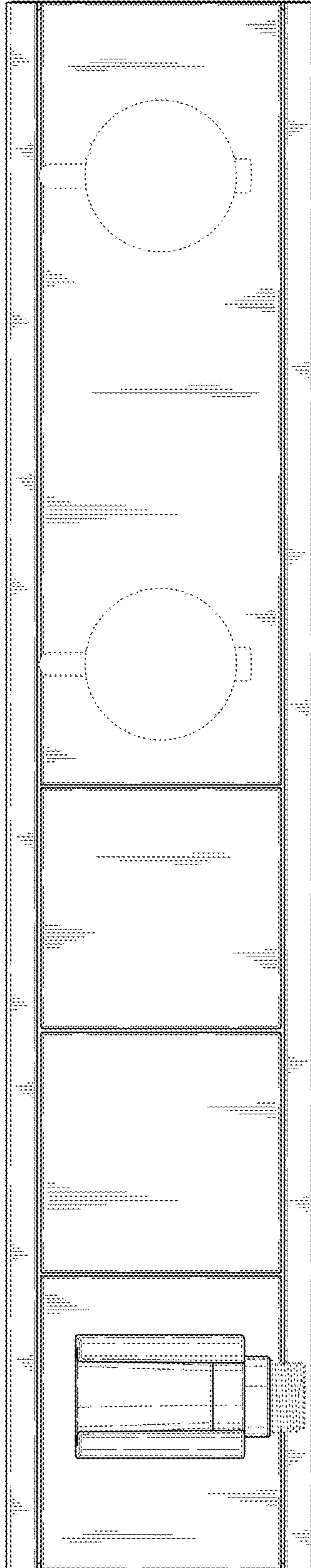


FIG. 1

FIG. 2



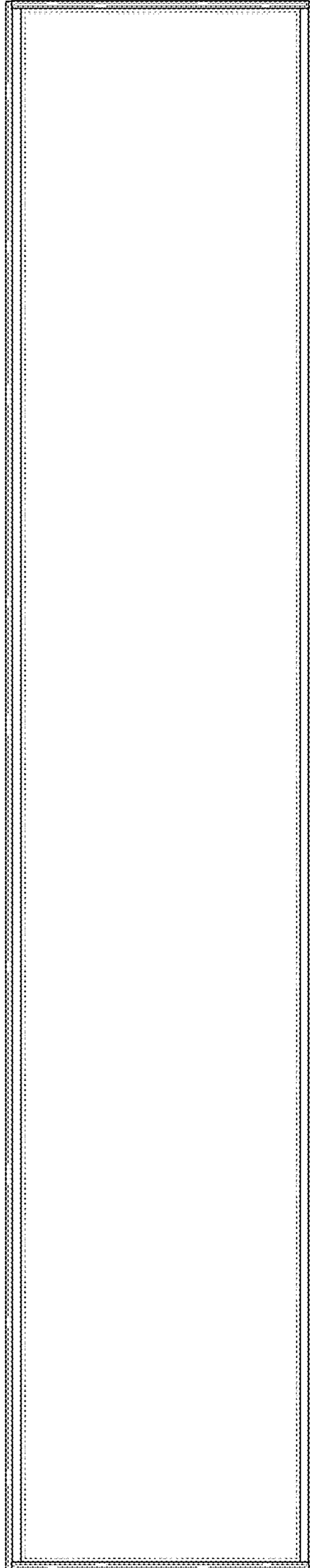


FIG. 3

FIG. 4

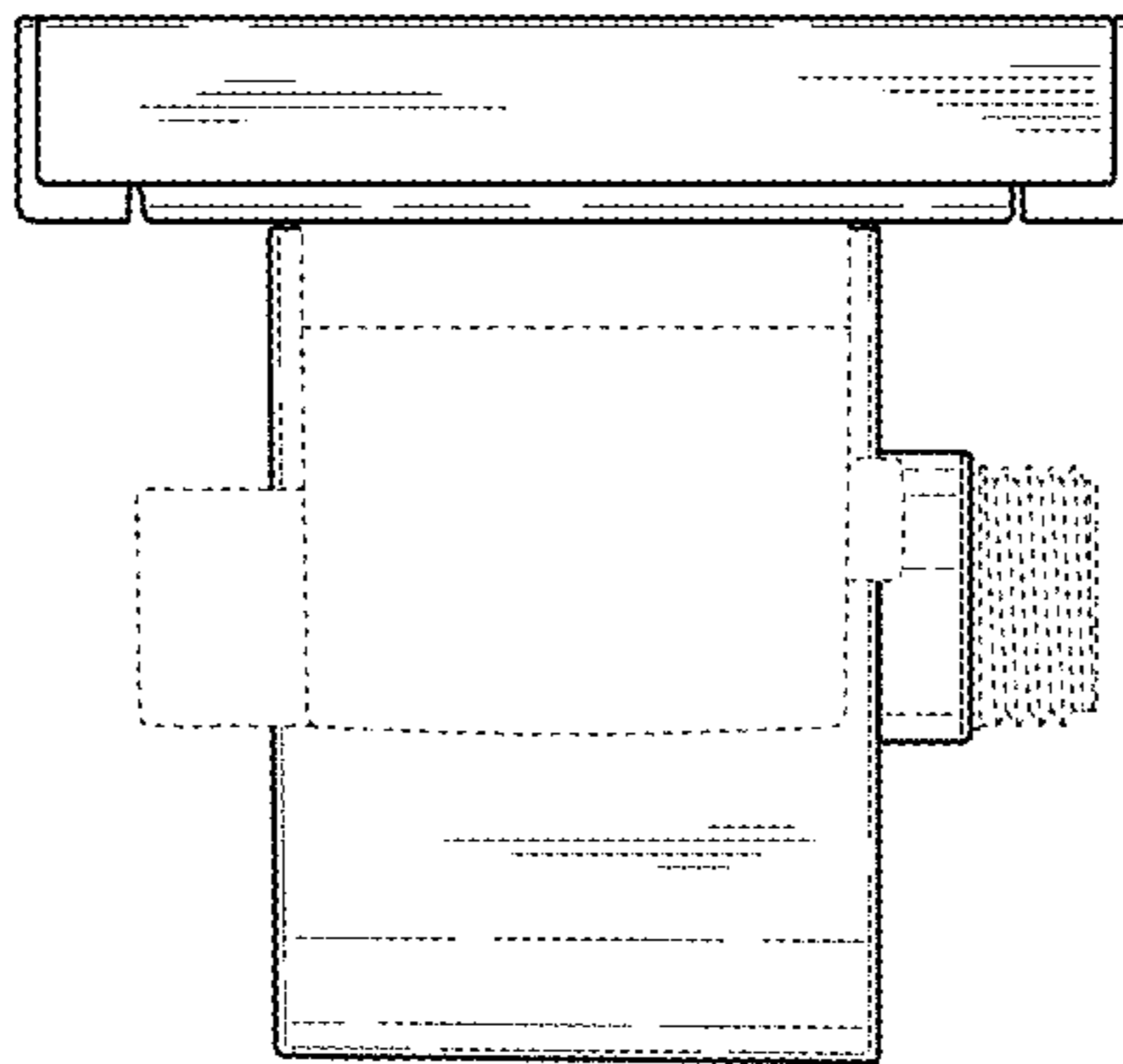


FIG. 5

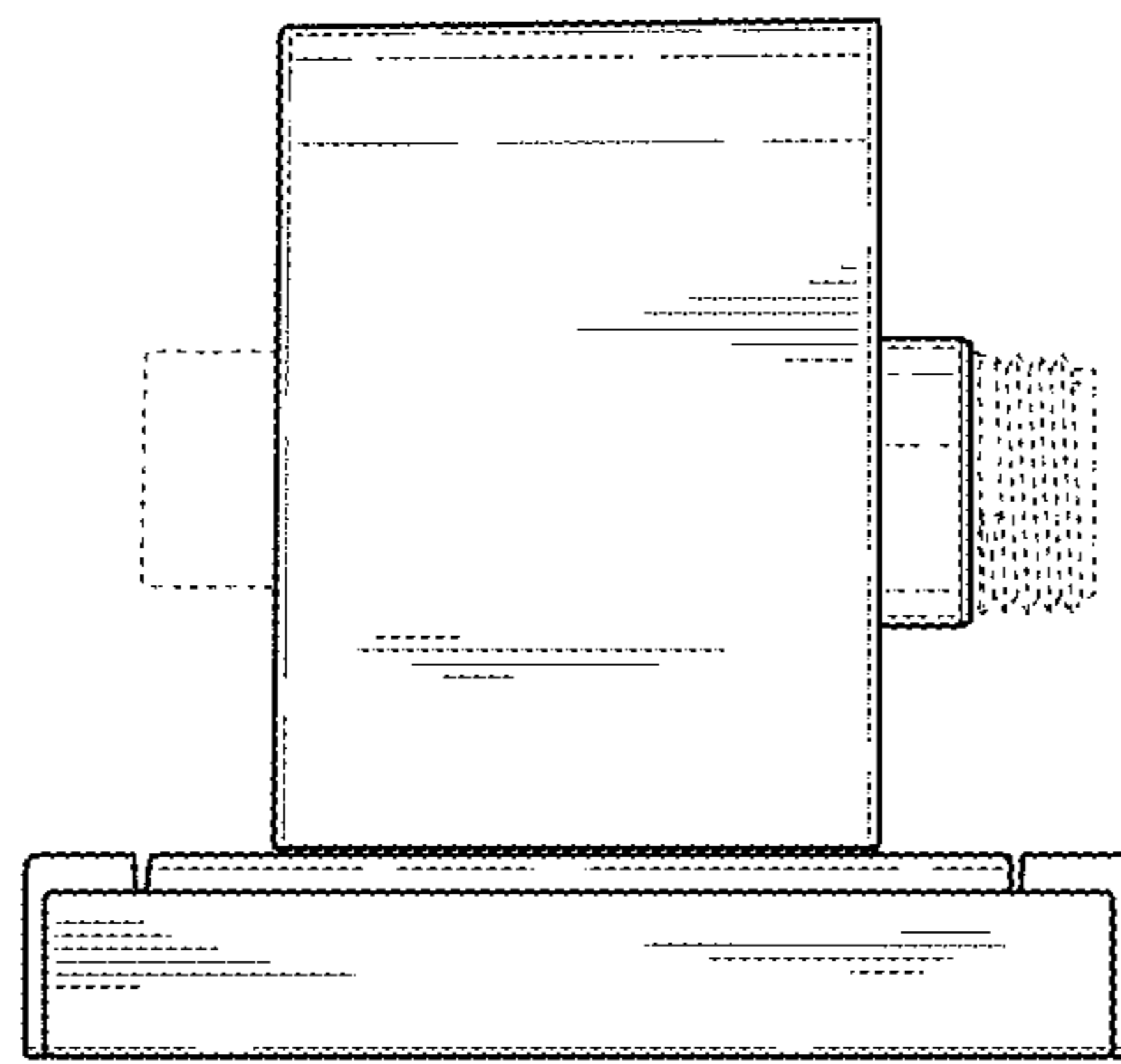
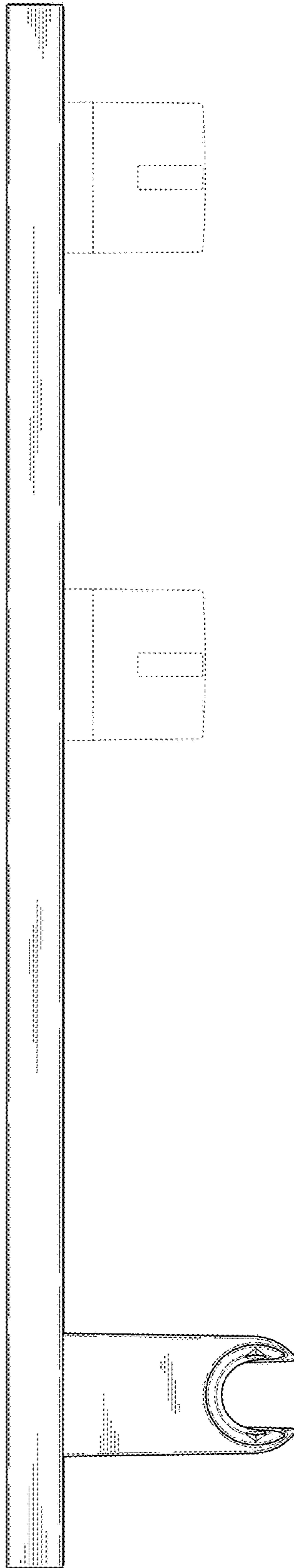


FIG. 6



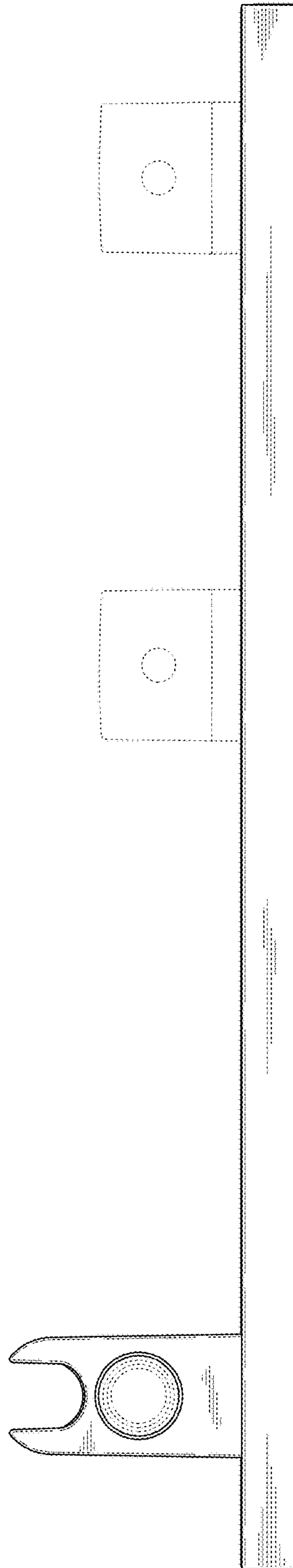


FIG. 7