



US00D816186S

(12) **United States Design Patent**
Hoge et al.

(10) **Patent No.:** **US D816,186 S**

(45) **Date of Patent:** **** Apr. 24, 2018**

- (54) **FISHING FLOAT**
- (71) Applicant: **UNITED PLASTIC MOLDERS, INC.**, Jackson, MS (US)
- (72) Inventors: **William Tucker Hoge**, Jackson, MS (US); **Don S. Norton**, Jackson, MS (US)
- (73) Assignee: **UNITED PLASTIC MOLDERS, INC.**, Jackson, MS (US)
- (**) Term: **15 Years**
- (21) Appl. No.: **29/576,059**
- (22) Filed: **Aug. 31, 2016**
- (51) **LOC (11) Cl.** **22-05**
- (52) **U.S. Cl.**
USPC **D22/146**
- (58) **Field of Classification Search**
USPC D22/115, 134, 145, 146, 199; D9/439;
D21/301, 452, 455, 460
CPC A01K 93/00; A01K 91/03
See application file for complete search history.

(56) **References Cited**

U.S. PATENT DOCUMENTS

| | | | | | |
|-----------|-----|---------|--------------|-------|-------------------------|
| 2,186,281 | A * | 1/1940 | Cochran | | A01K 93/00 43/17 |
| 2,525,067 | A * | 10/1950 | Dungan | | A01K 93/00 43/44.93 |
| 4,458,439 | A * | 7/1984 | Garrett, Sr. | | A01K 93/02 43/17.6 |
| 5,259,151 | A * | 11/1993 | Wicht | | A01K 95/005 43/42.31 |
| D360,828 | S * | 8/1995 | Ball | | D8/14.1 |
| D416,975 | S * | 11/1999 | Haney | | D22/146 |
| D435,626 | S * | 12/2000 | Benini | | D22/100 |
| D452,894 | S * | 1/2002 | Benini | | D22/116 |
| D463,842 | S * | 10/2002 | Gentry | | D22/145 |

| | | | | | |
|--------------|------|---------|-------------|-------|------------------------|
| 6,550,179 | B1 * | 4/2003 | Seay | | A01K 93/00 43/44.87 |
| 6,993,866 | B1 * | 2/2006 | Strange | | A01K 85/01 43/42.31 |
| D527,437 | S * | 8/2006 | Bosse | | D22/145 |
| D540,710 | S * | 4/2007 | Charrin | | D11/147 |
| D562,934 | S * | 2/2008 | Haney | | D22/146 |
| D677,358 | S * | 3/2013 | Garofalo | | D22/145 |
| D744,061 | S * | 11/2015 | Dick | | D22/146 |
| 9,565,844 | B2 * | 2/2017 | Corry | | A01K 95/00 |
| D790,031 | S * | 6/2017 | Hall | | D22/134 |
| 2010/0031554 | A1 * | 2/2010 | Brooks, Jr. | | A01K 85/01 43/44.87 |
| 2015/0305316 | A1 * | 10/2015 | Corry | | A01K 95/00 43/43.1 |
| 2017/0295770 | A1 * | 10/2017 | Schoenike | | A01K 93/02 |

* cited by examiner

Primary Examiner — Karen S Acker

Assistant Examiner — Steven B Reinholdt, Jr.

(74) *Attorney, Agent, or Firm* — Nixon & Vanderhye P.C.

(57) **CLAIM**

The ornamental design for a fishing float, as shown and described.

DESCRIPTION

FIG. 1 is a front end and right side perspective view of a fishing float which embodies our new and original design therefore;

FIG. 2 is a right side elevational view thereof, the left side elevational view being a mirror image thereof;

FIG. 3 is a top plan view thereof;

FIG. 4 is a bottom plan view thereof;

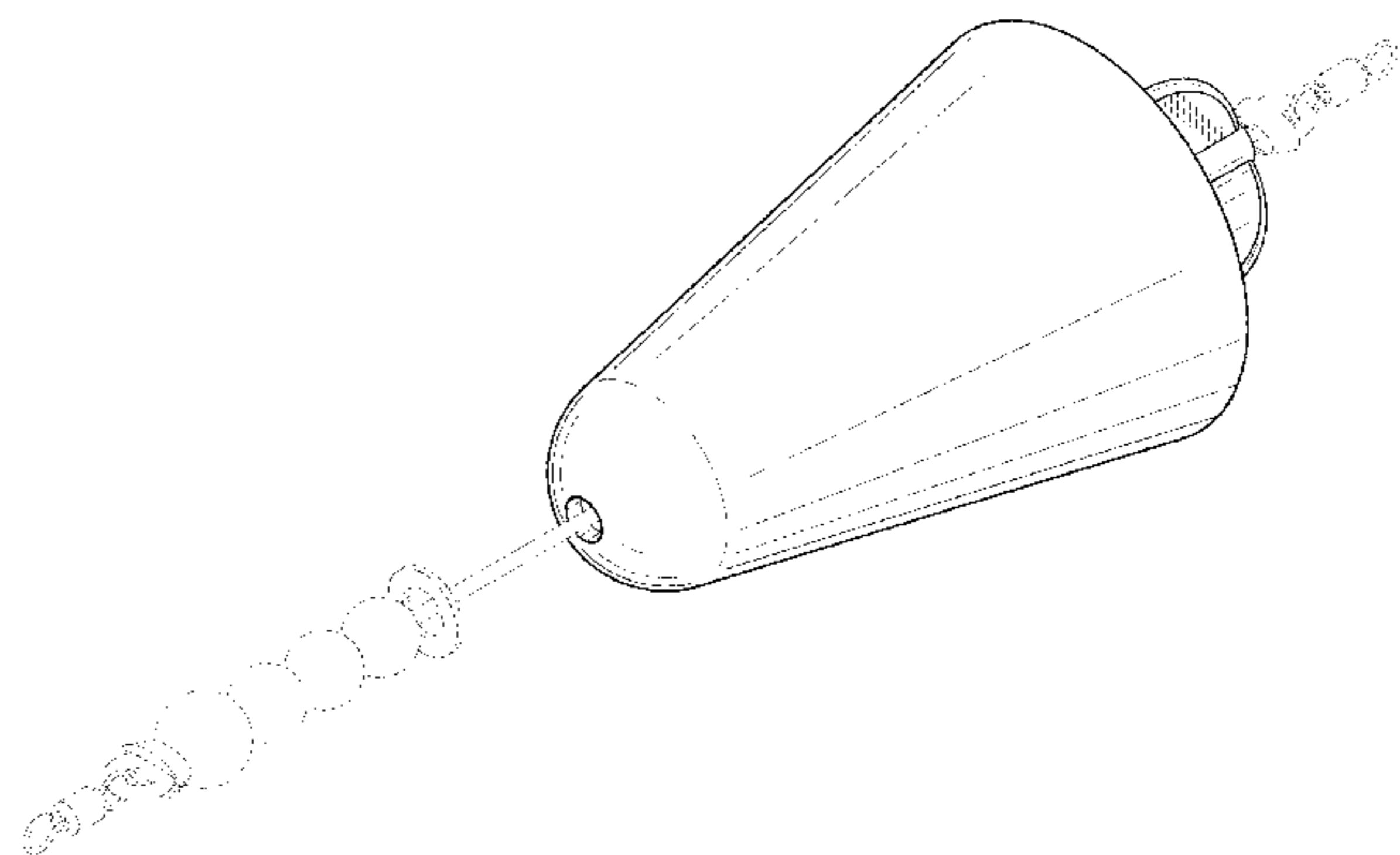
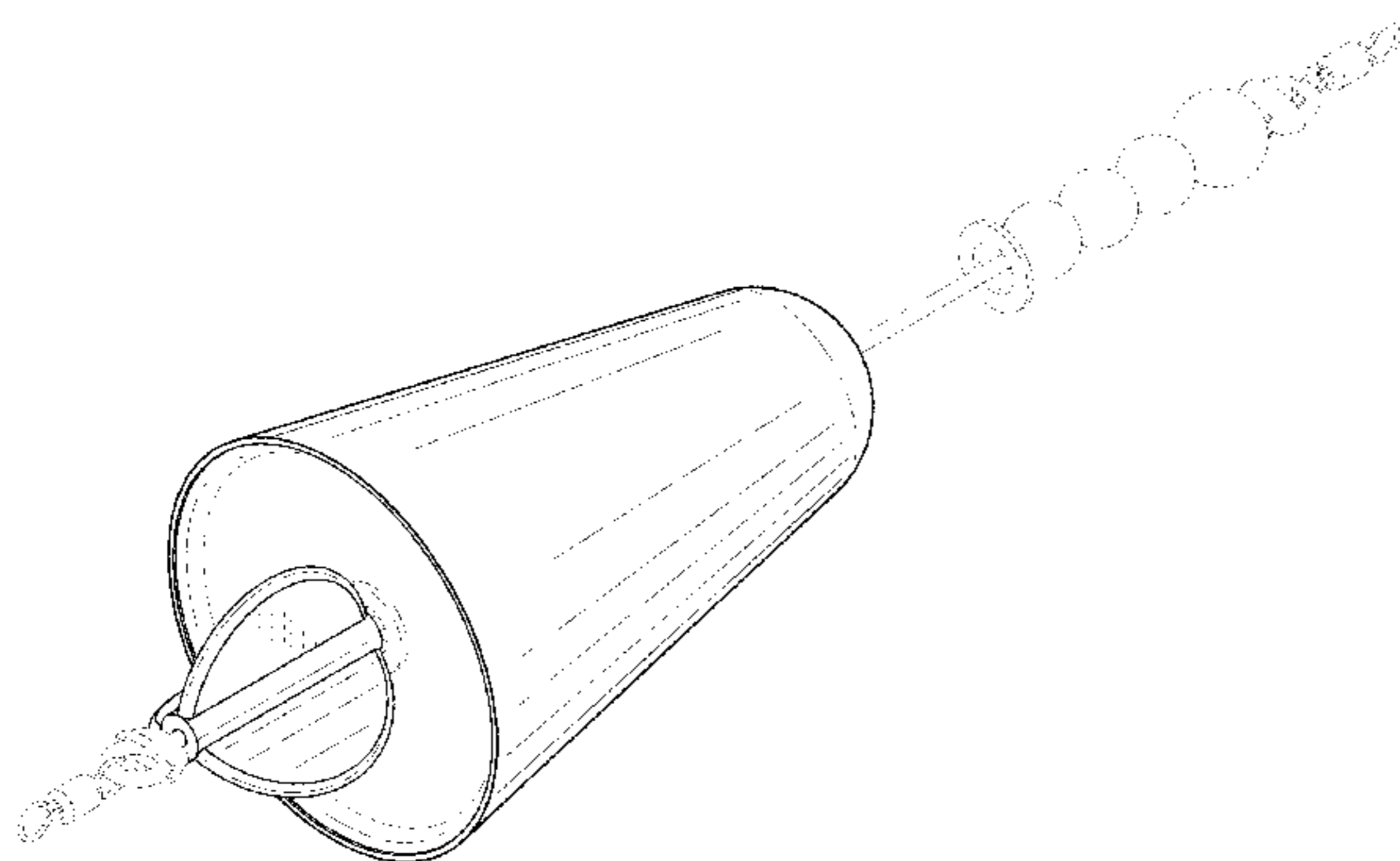
FIG. 5 is a front end elevational view thereof;

FIG. 6 is a rear end elevational view thereof; and,

FIG. 7 is a rear end and right side perspective view thereof.

The broken lines in the drawings represent elements in the environment of the claimed design and form no part of the claimed design.

1 Claim, 5 Drawing Sheets



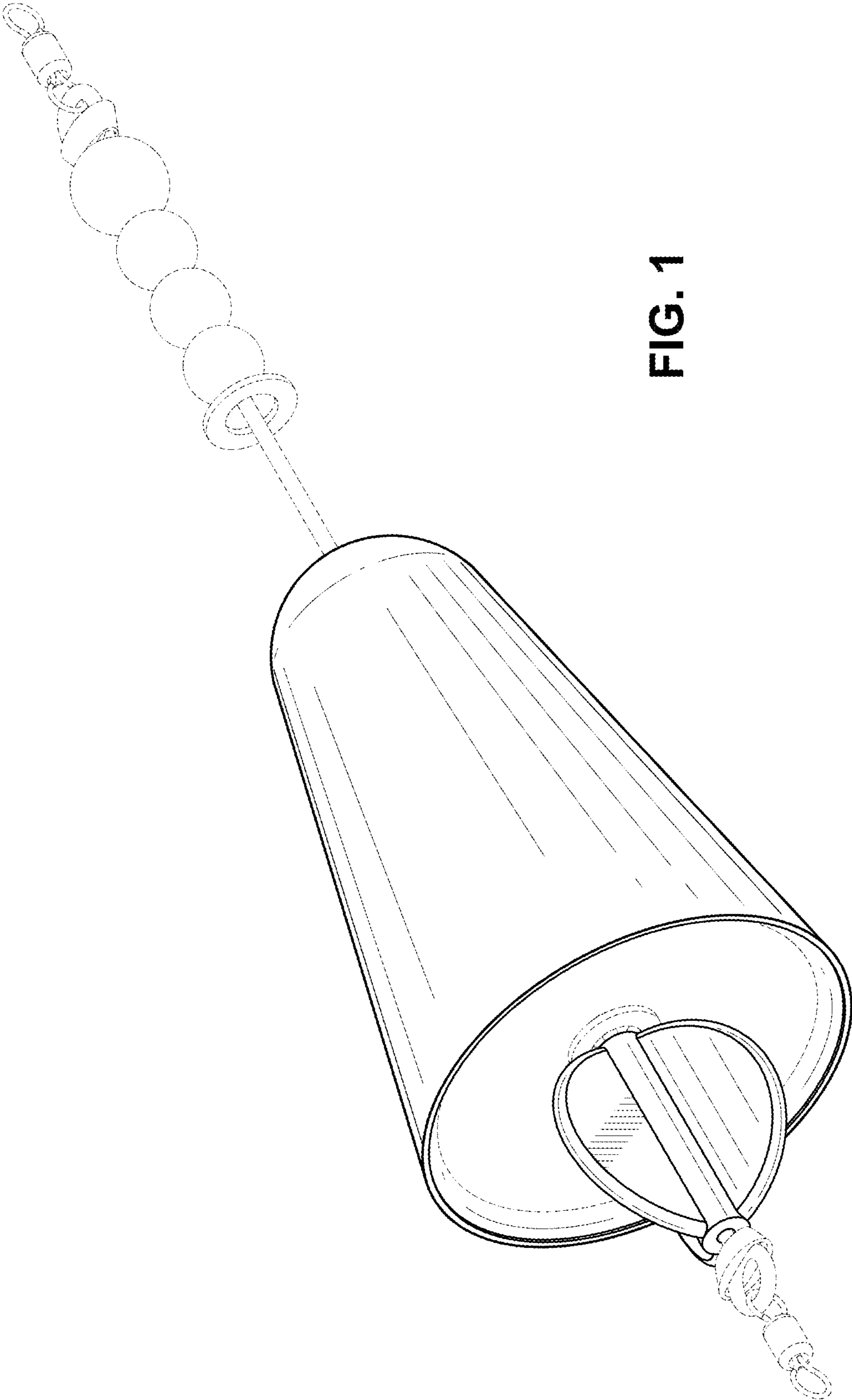


FIG. 1

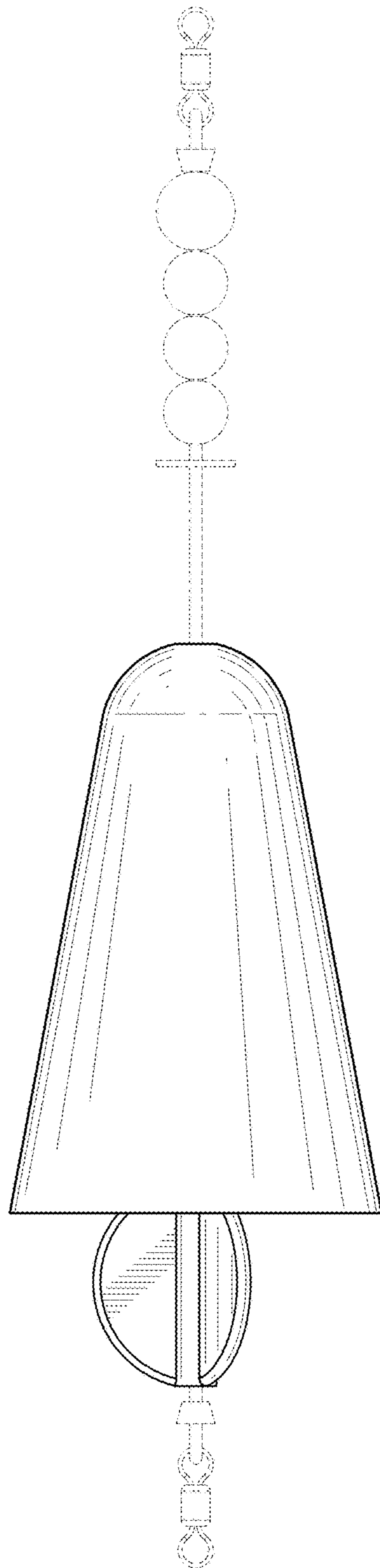
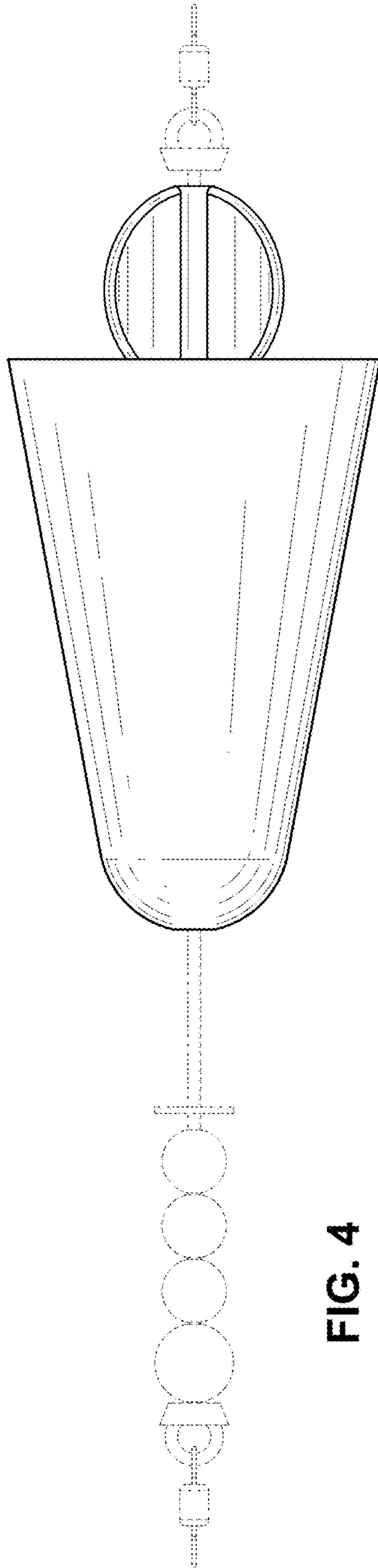
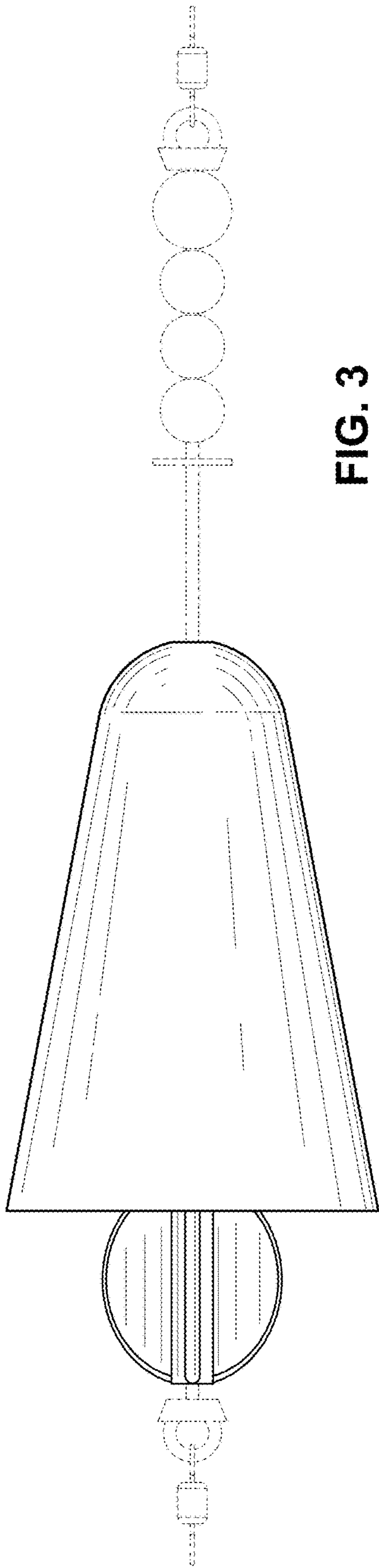


FIG. 2



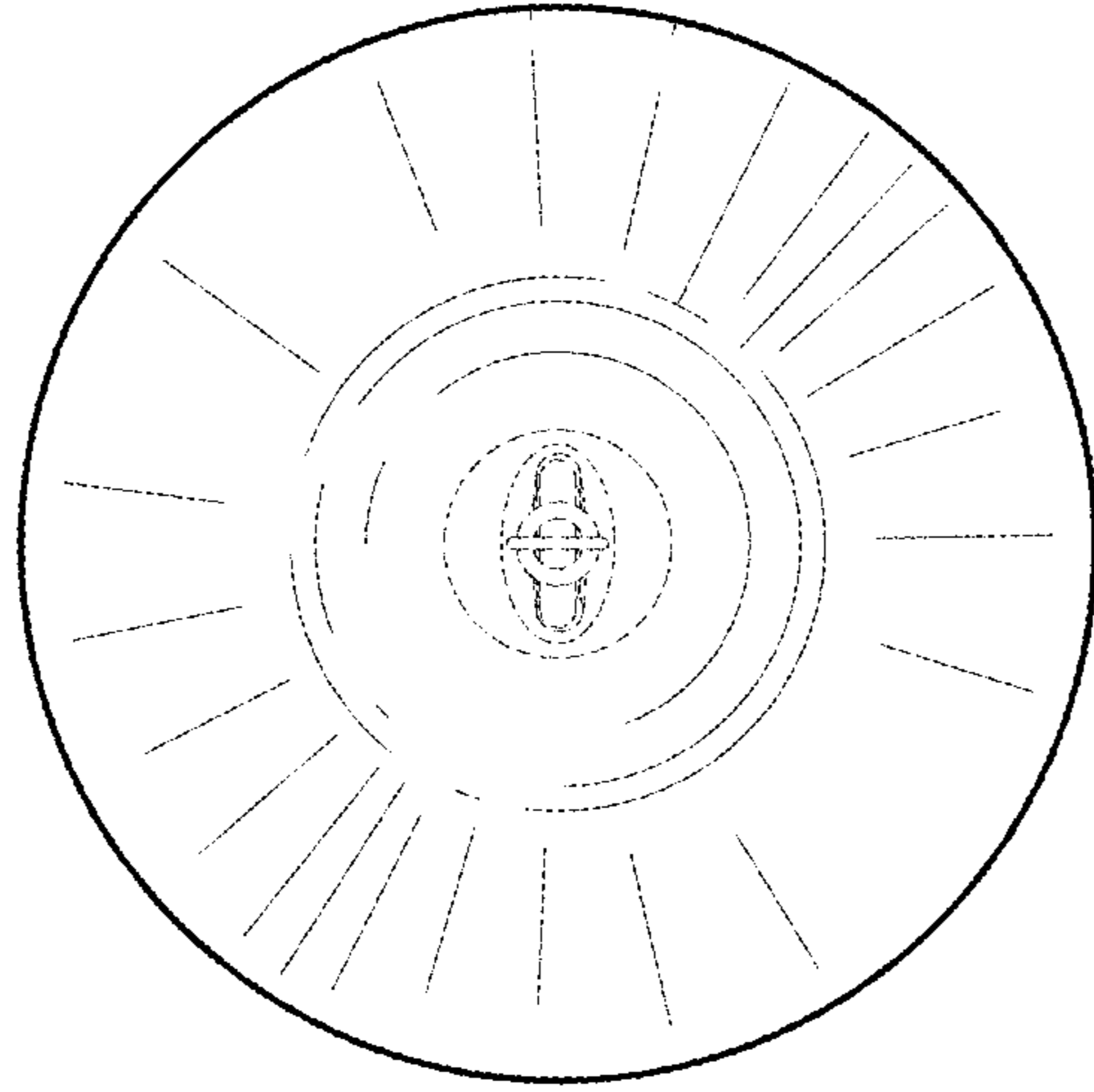


FIG. 6

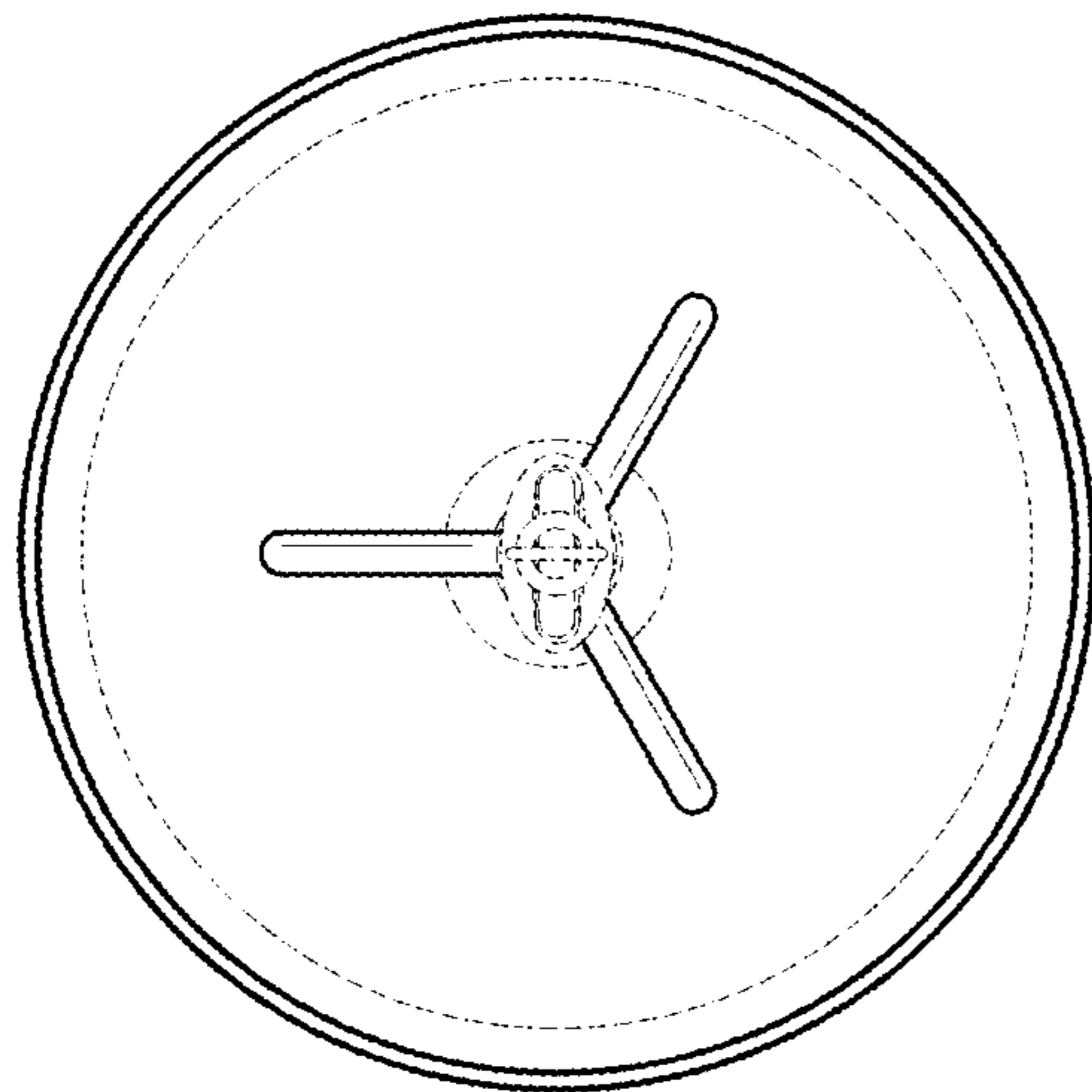


FIG. 5

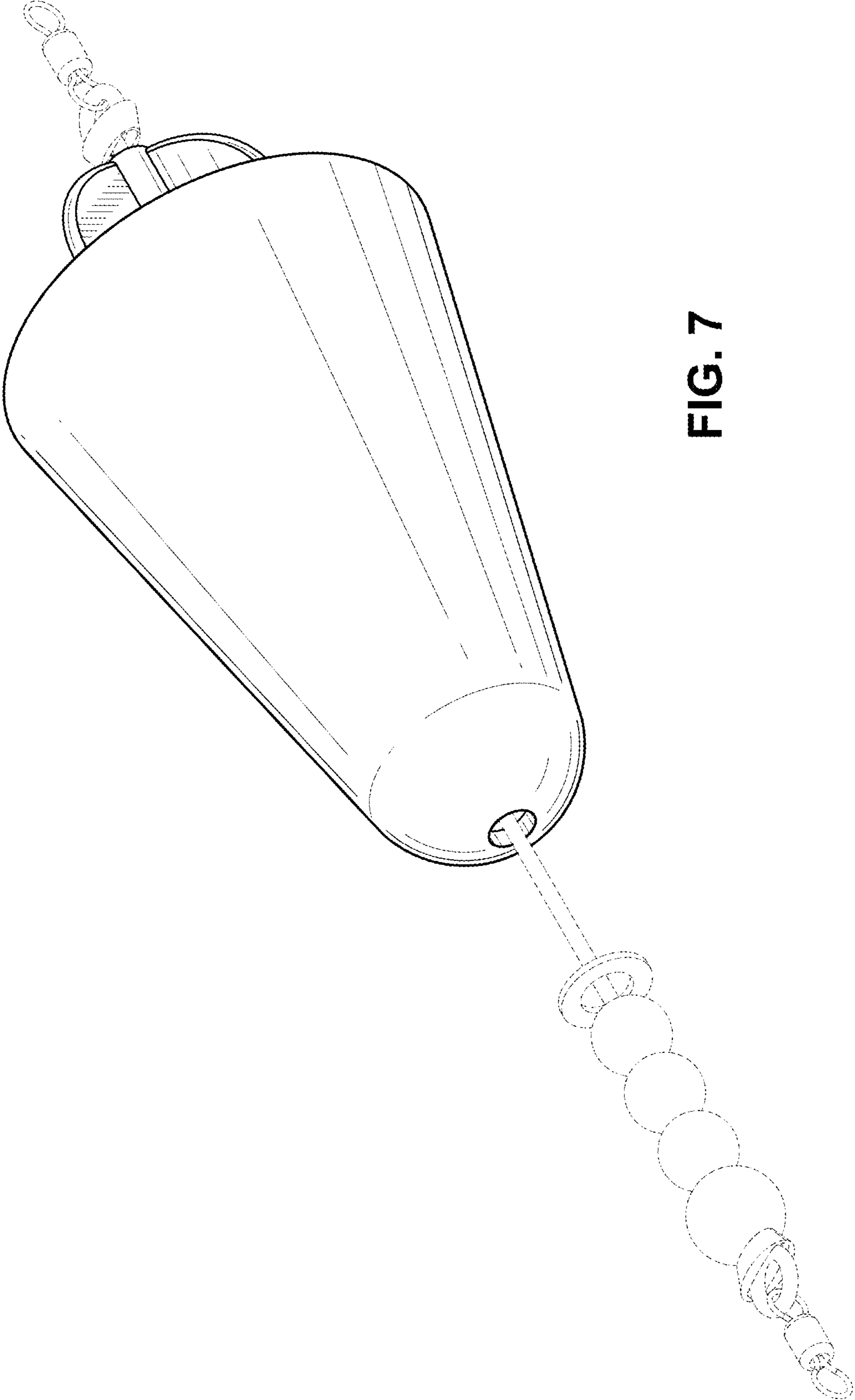


FIG. 7