



US00D816184S

(12) **United States Design Patent** (10) **Patent No.:** **US D816,184 S**  
**Kim** (45) **Date of Patent:** **\*\* Apr. 24, 2018**

(54) **FISHING LINE CONNECTOR**

(71) Applicant: **Il Han Kim**, Daegu (KR)

(72) Inventor: **Il Han Kim**, Daegu (KR)

(\*\*) Term: **15 Years**

(21) Appl. No.: **29/601,771**

(22) Filed: **Apr. 26, 2017**

(30) **Foreign Application Priority Data**

Dec. 14, 2016 (KR) ..... 30-2016-0060640

(51) **LOC (11) Cl.** ..... **22-05**

(52) **U.S. Cl.**  
USPC ..... **D22/134**

(58) **Field of Classification Search**  
USPC ..... D22/134, 199; 43/42.49, 42.74, 43.12,  
43/44.84, 44.92; 24/131 C, 131 R, 601.8  
CPC ..... A01K 91/04; A01K 91/053; F16B 2/248  
See application file for complete search history.

(56) **References Cited**

**U.S. PATENT DOCUMENTS**

- 5,655,329 A \* 8/1997 Yong-Set ..... A01K 91/04  
24/601.8
- 5,781,972 A \* 7/1998 Steed ..... A01K 91/04  
24/131 C
- D430,261 S \* 8/2000 Yong-Set ..... D22/134
- D536,763 S \* 2/2007 Friedrichs ..... D22/134
- D760,343 S \* 6/2016 Kim ..... D22/134

**OTHER PUBLICATIONS**

DHgate.com, 10pcs Heavy Three Way Rolling Fishing Swivel With Solid Ring Heavy Duty Big 3 Way Swivel Fishing Line Connector 2004-2018.\*

\* cited by examiner

*Primary Examiner* — Catherine R Oliver-Garcia  
(74) *Attorney, Agent, or Firm* — Paratus Law Group, PLLC

(57) **CLAIM**

The ornamental design for a “fishing line connector,” as shown and described.

**DESCRIPTION**

FIG. 1 is a perspective view of a fishing line connector showing the claimed design;  
FIG. 2 is a front view thereof;  
FIG. 3 is a rear view thereof;  
FIG. 4 is a left side view thereof;  
FIG. 5 is a right side view thereof;  
FIG. 6 is a top view thereof;  
FIG. 7 is a bottom view thereof; and,  
FIG. 8 is a first reference view showing the claimed design in use.

The remaining broken lines shown in FIG. 8 depict environment and are for illustrative purposes only and form no part of the claimed design.

**1 Claim, 7 Drawing Sheets**

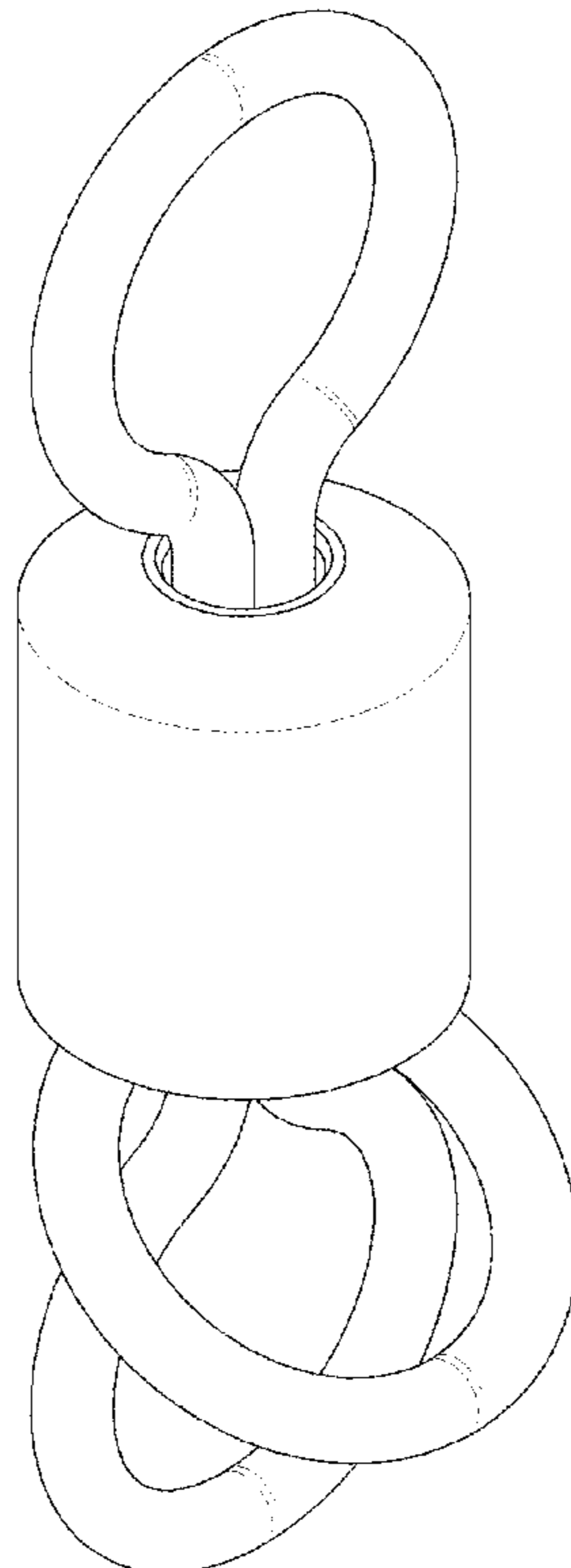


FIG. 1

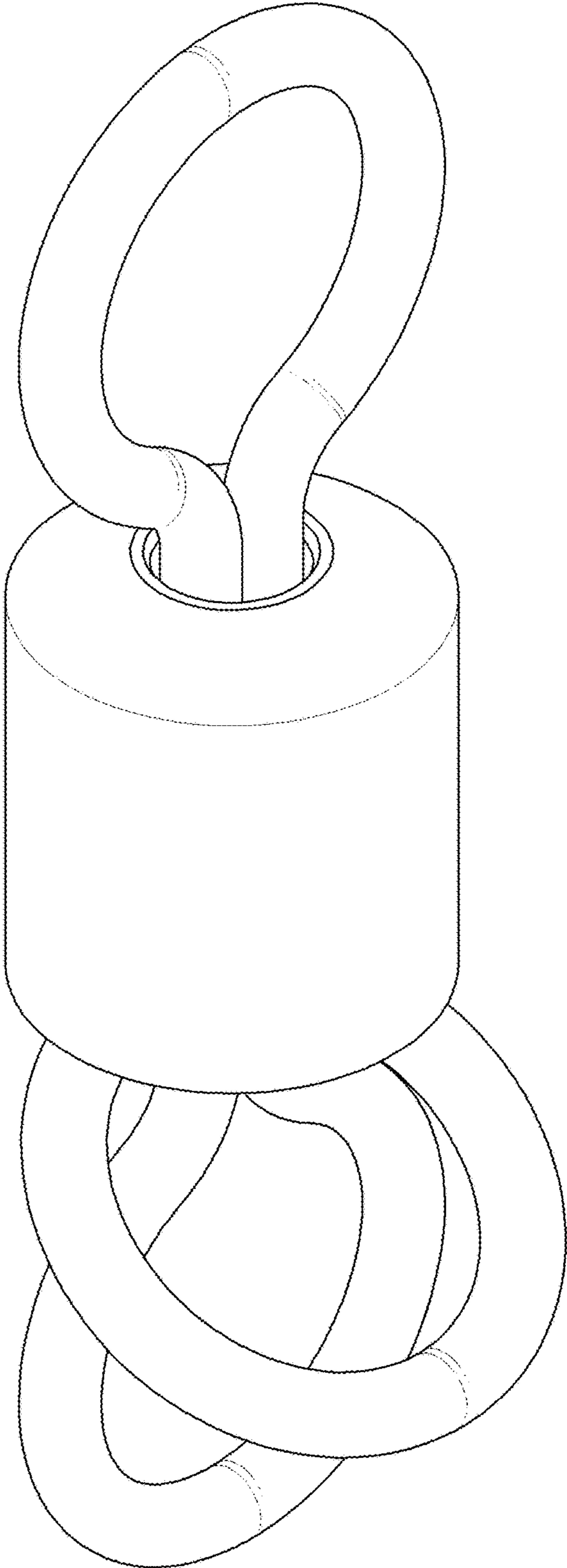


FIG. 2

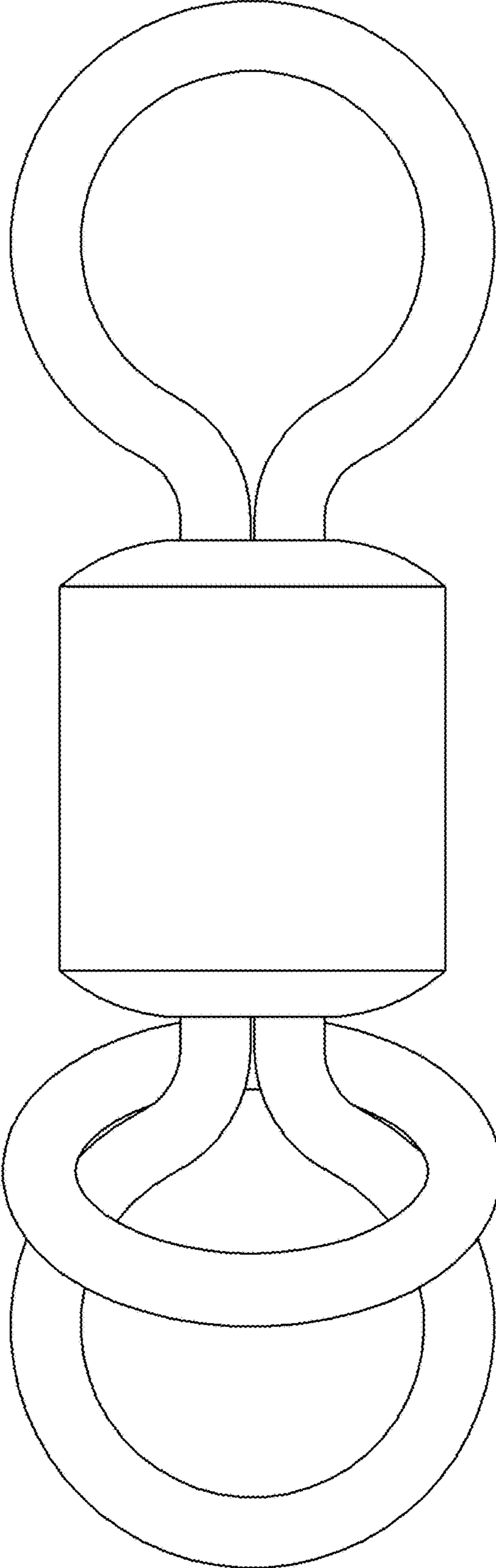


FIG. 3

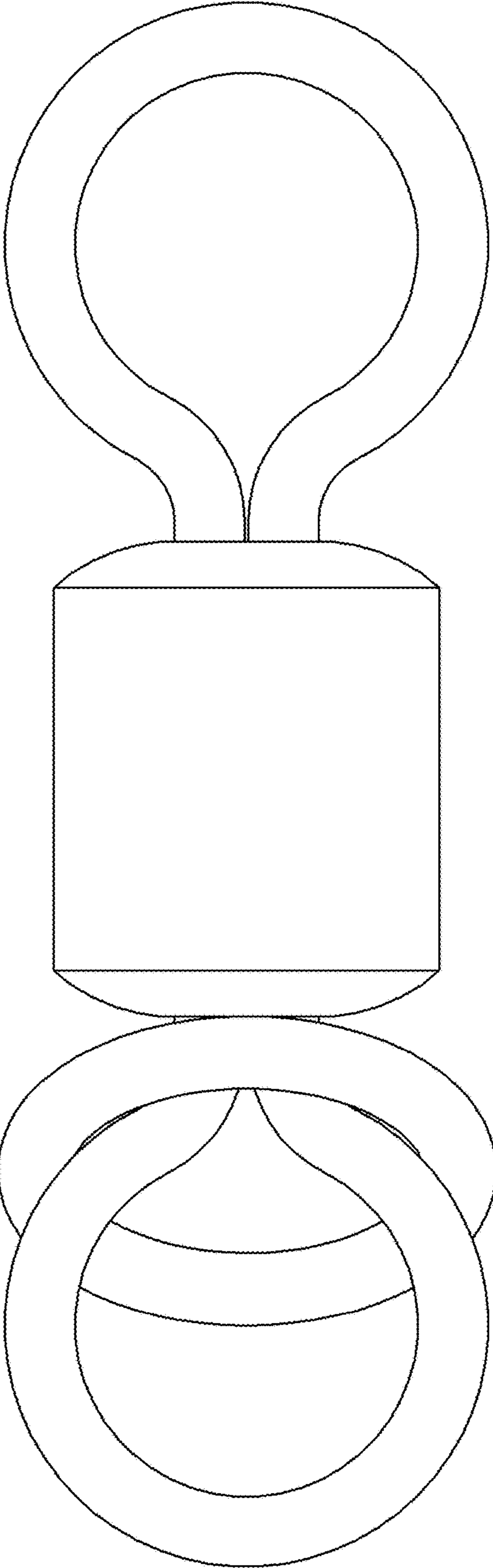


FIG. 4

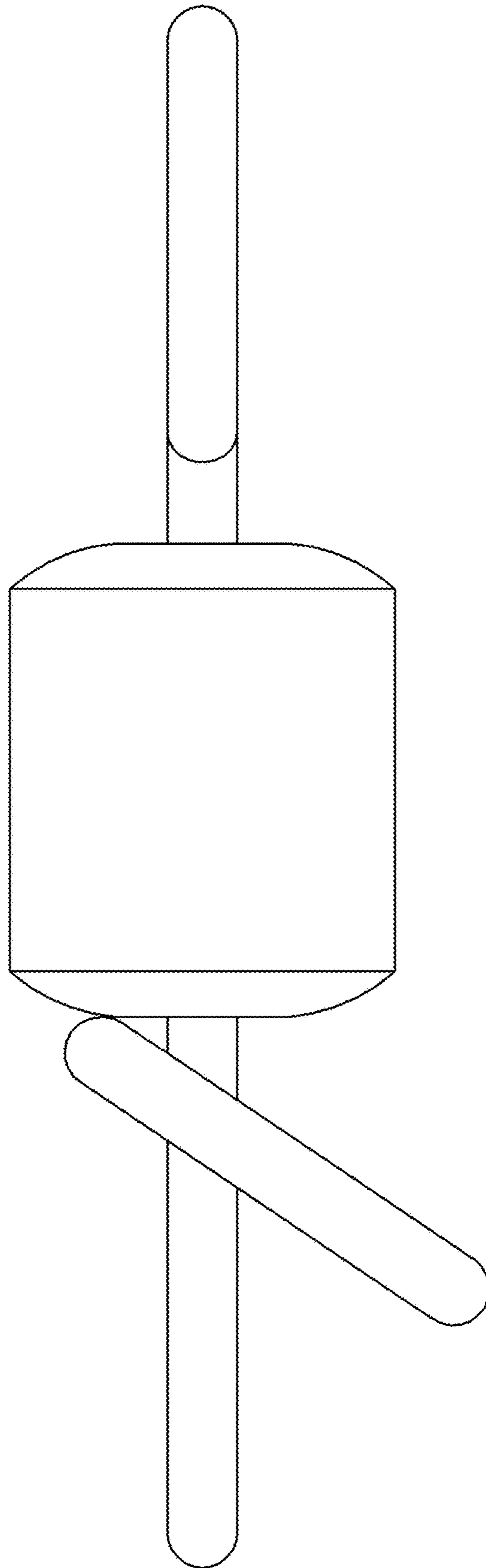


FIG. 5

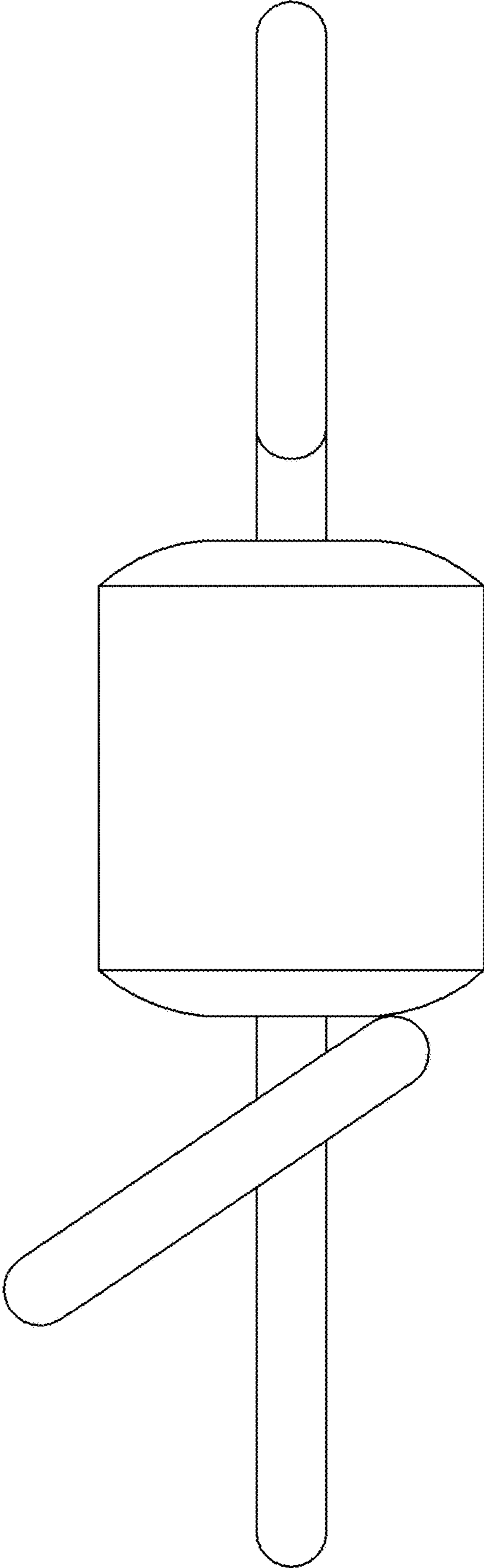


FIG. 6

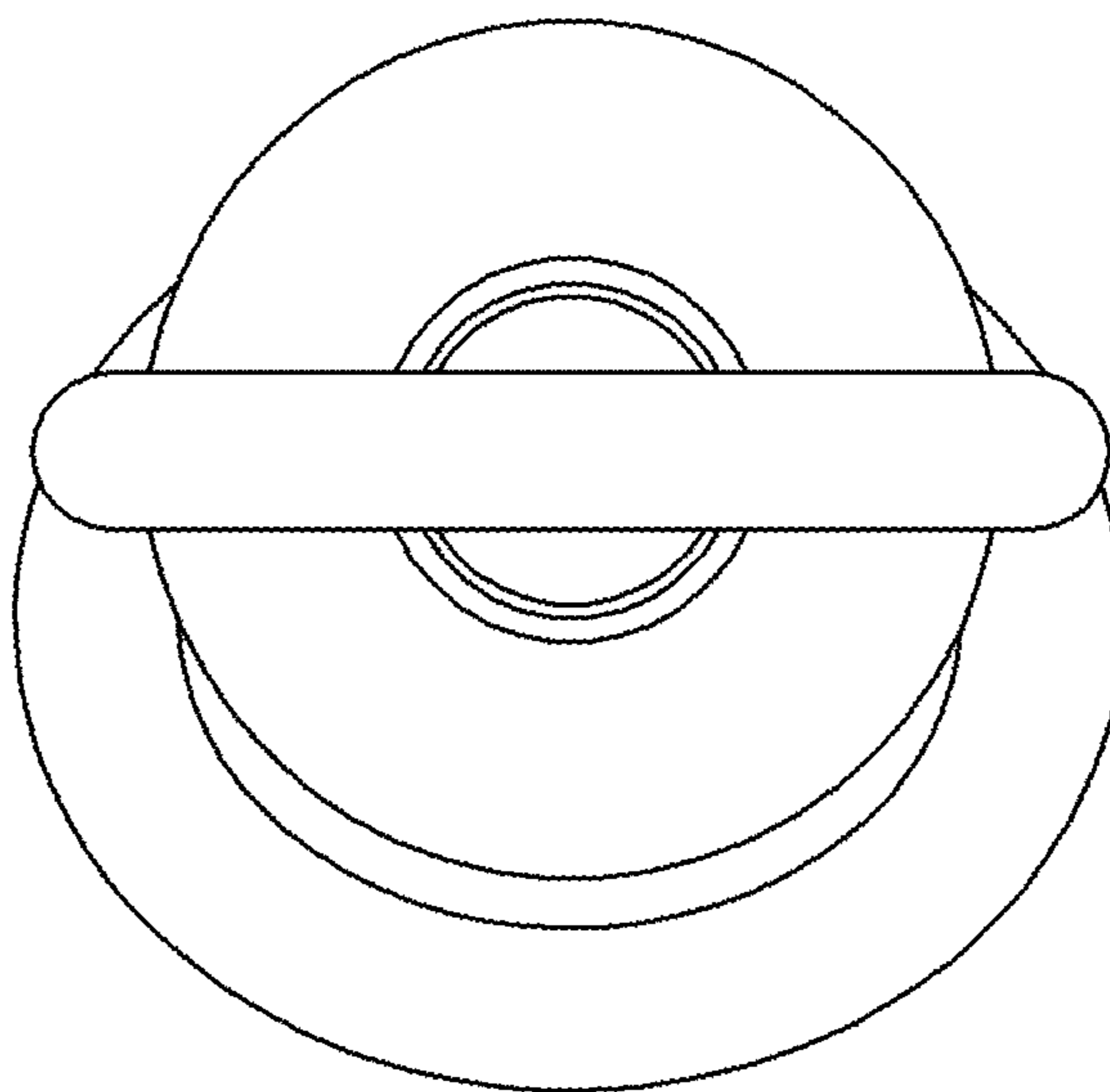


FIG. 7

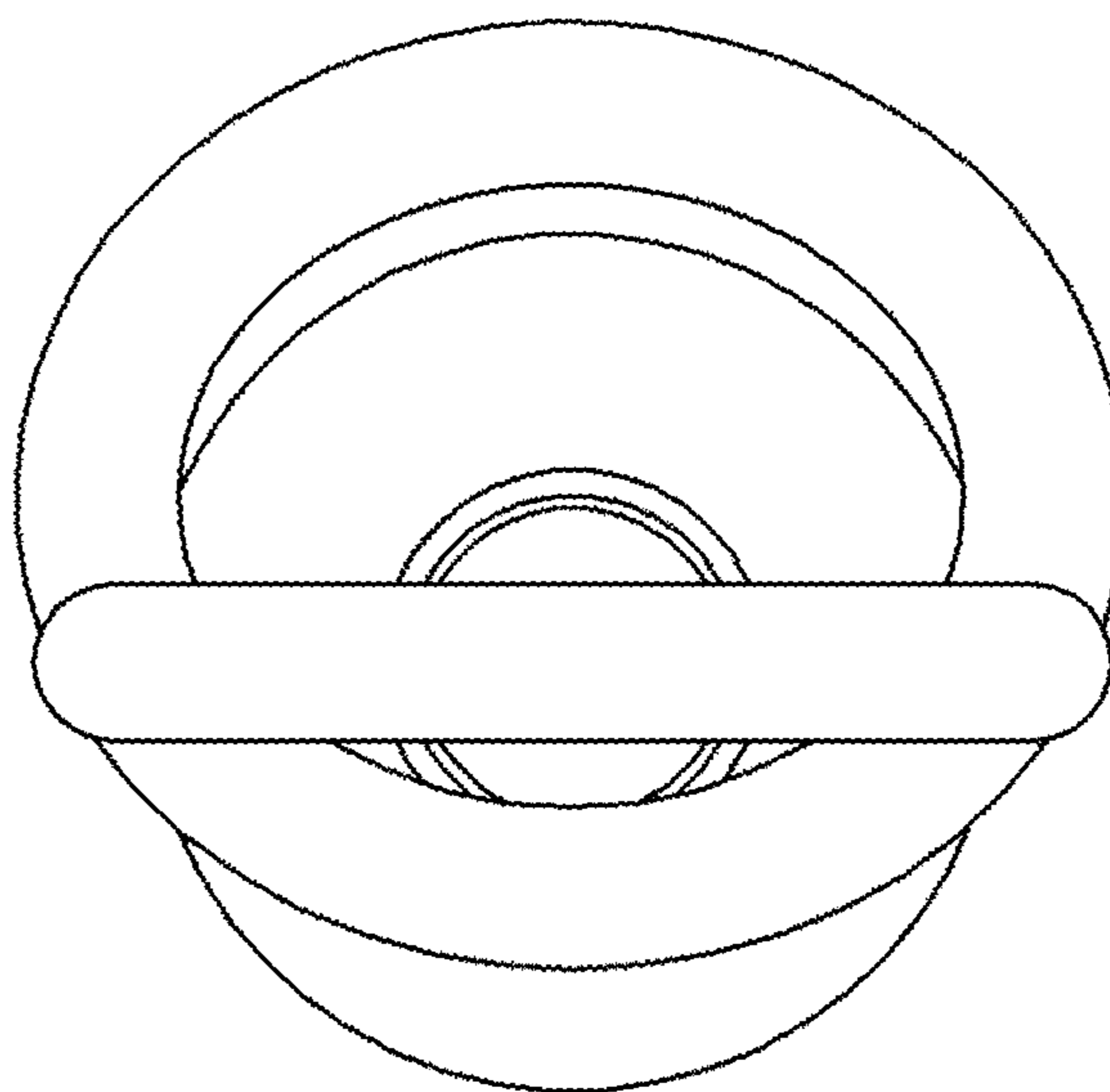


FIG. 8

