



US00D816180S

(12) **United States Design Patent**
Farris et al.

(10) **Patent No.:** **US D816,180 S**
(45) **Date of Patent:** **** Apr. 24, 2018**

(54) **RIFLE ADAPTER FOR PISTOL
AMMUNITION**

D779,015 S * 2/2017 Underwood F41A 9/59
D22/108
D782,596 S * 3/2017 Angstadt D22/108

(71) Applicants: **Edward Farris**, Claremont, NH (US);
Charles Bastian, Claremont, NH (US)

* cited by examiner

(72) Inventors: **Edward Farris**, Claremont, NH (US);
Charles Bastian, Claremont, NH (US)

Primary Examiner — Michael A. Pratt

(74) *Attorney, Agent, or Firm* — Gary E. Lambert; David
J. Connaughton, Jr.; Lambert & Associates

(**) Term: **15 Years**

(57) **CLAIM**

The ornamental design for a rifle adapter for pistol ammu-
nition, as shown and described.

(21) Appl. No.: **29/572,037**

DESCRIPTION

(22) Filed: **Jul. 25, 2016**

(51) **LOC (11) Cl.** **22-01**

(52) **U.S. Cl.**
USPC **D22/108**

(58) **Field of Classification Search**

USPC D22/103, 104, 108
CPC F41A 9/71
See application file for complete search history.

FIG. 1 is an isometric view of the rifle adapter for pistol
ammunition, which embodies my design;

FIG. 2 is an isometric view of the rifle adapter for pistol
ammunition;

FIG. 3 is a side view of the rifle adapter for pistol ammu-
nition;

FIG. 4 is a side view of the rifle adapter for pistol ammu-
nition;

FIG. 5 is a top plane view of the rifle adapter for pistol
ammunition;

FIG. 6 is a bottom plane view of the rifle adapter for pistol
ammunition;

FIG. 7 is a front view of the rifle adapter for pistol ammu-
nition;

FIG. 8 is back view of the rifle adapter for pistol ammu-
nition;

FIG. 9 is a side view of the rifle adapter for pistol ammu-
nition; and,

FIG. 10 is an isometric view of the lever portion of the rifle
adapter for pistol ammunition to show detail not otherwise
discernible from the drawings.

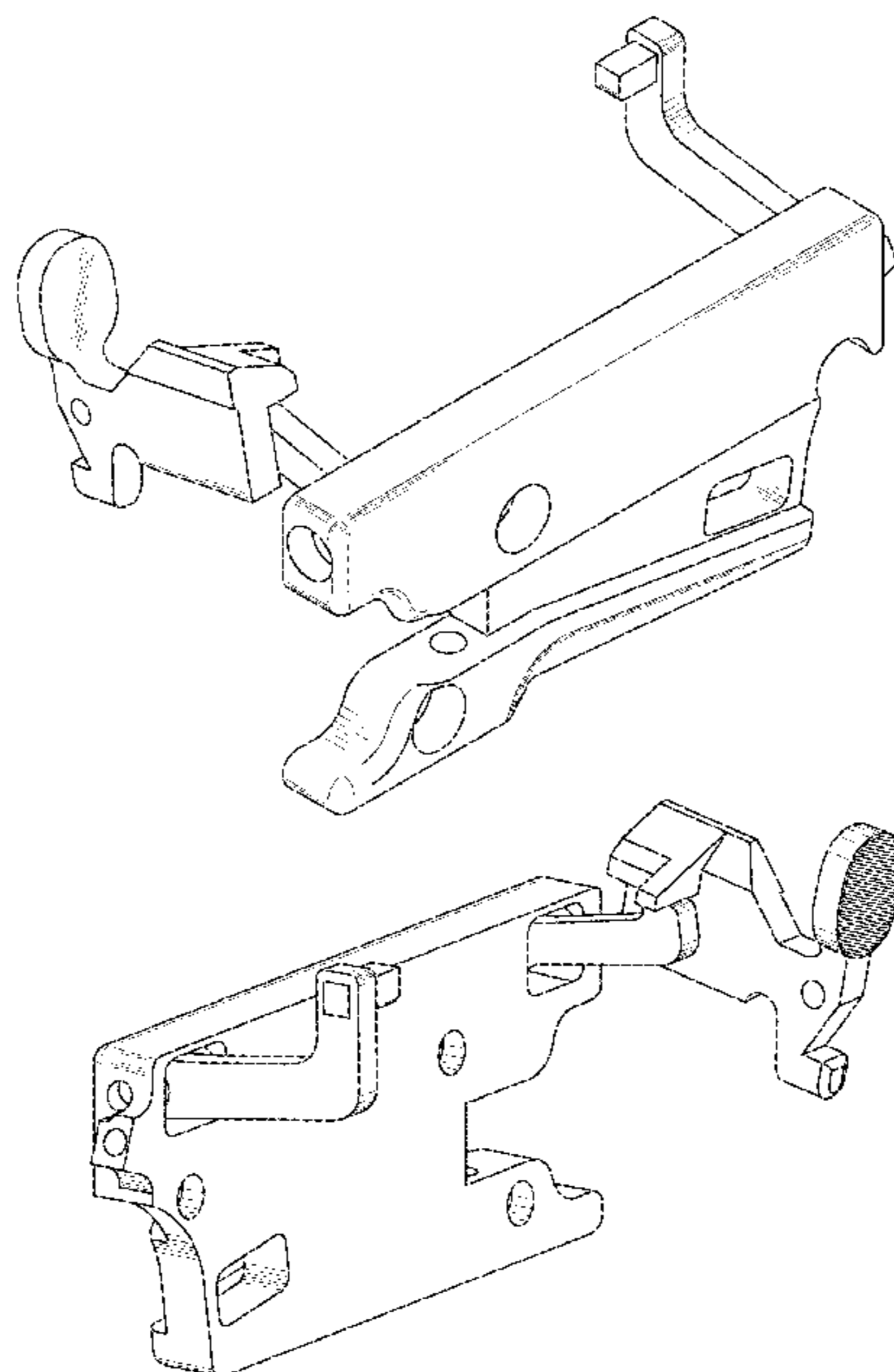
The components depicted by broken lines in FIG. 9 have
been shown for the purposes of illustrating environmental
features that form no part of the claimed design.

(56) **References Cited**

U.S. PATENT DOCUMENTS

4,058,922 A * 11/1977 Elbe F41A 9/71
42/16
4,069,608 A * 1/1978 Jurek F41A 9/71
42/49.02
6,293,040 B1 * 9/2001 Luth F41A 11/02
42/75.01
7,444,775 B1 * 11/2008 Schuetz F41A 9/71
42/49.02
D713,485 S * 9/2014 Firpo D22/108
9,194,638 B2 * 11/2015 Larson, Jr. F41A 17/38
9,506,702 B2 * 11/2016 Visinski F41A 3/66

1 Claim, 6 Drawing Sheets



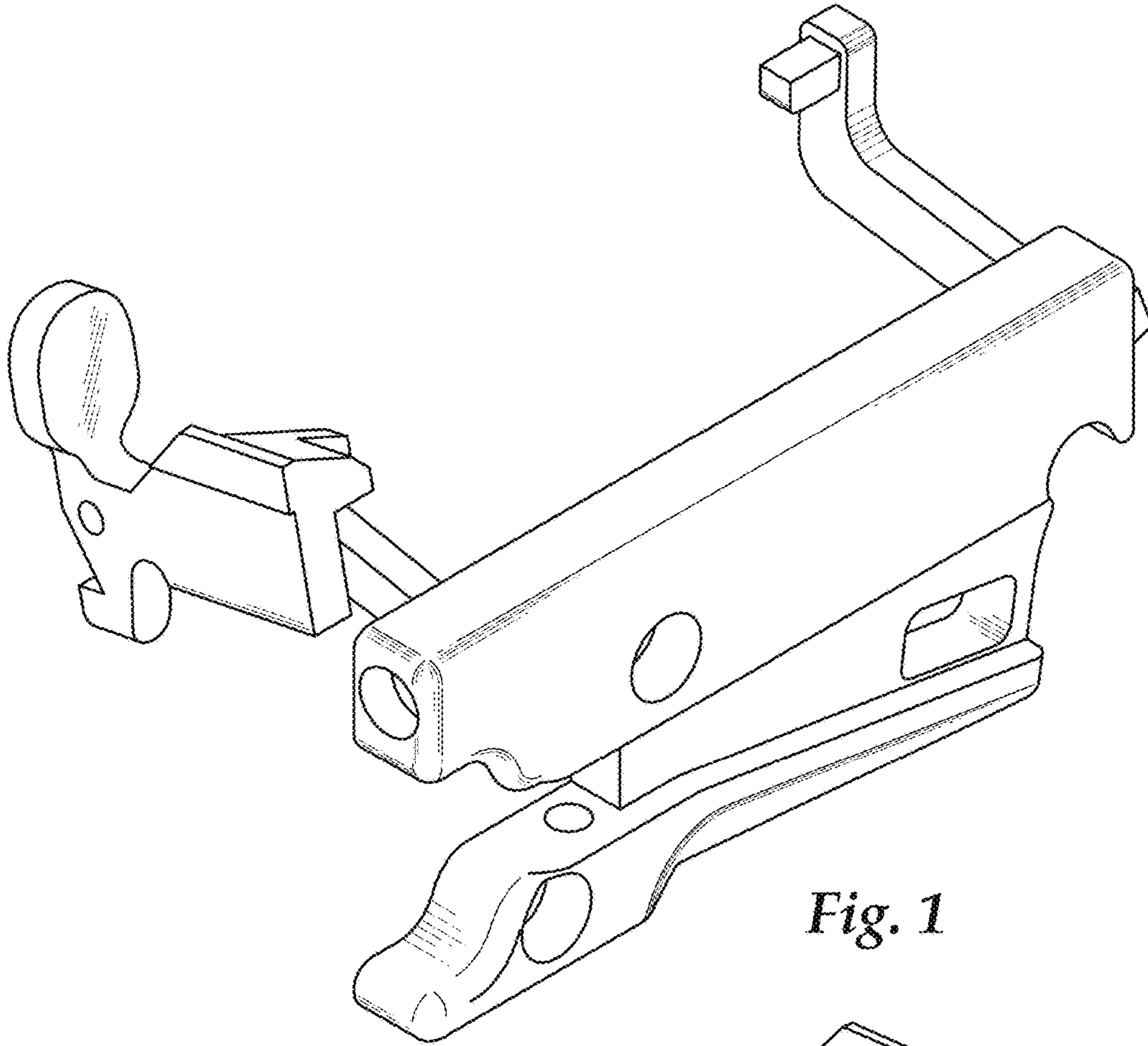


Fig. 1

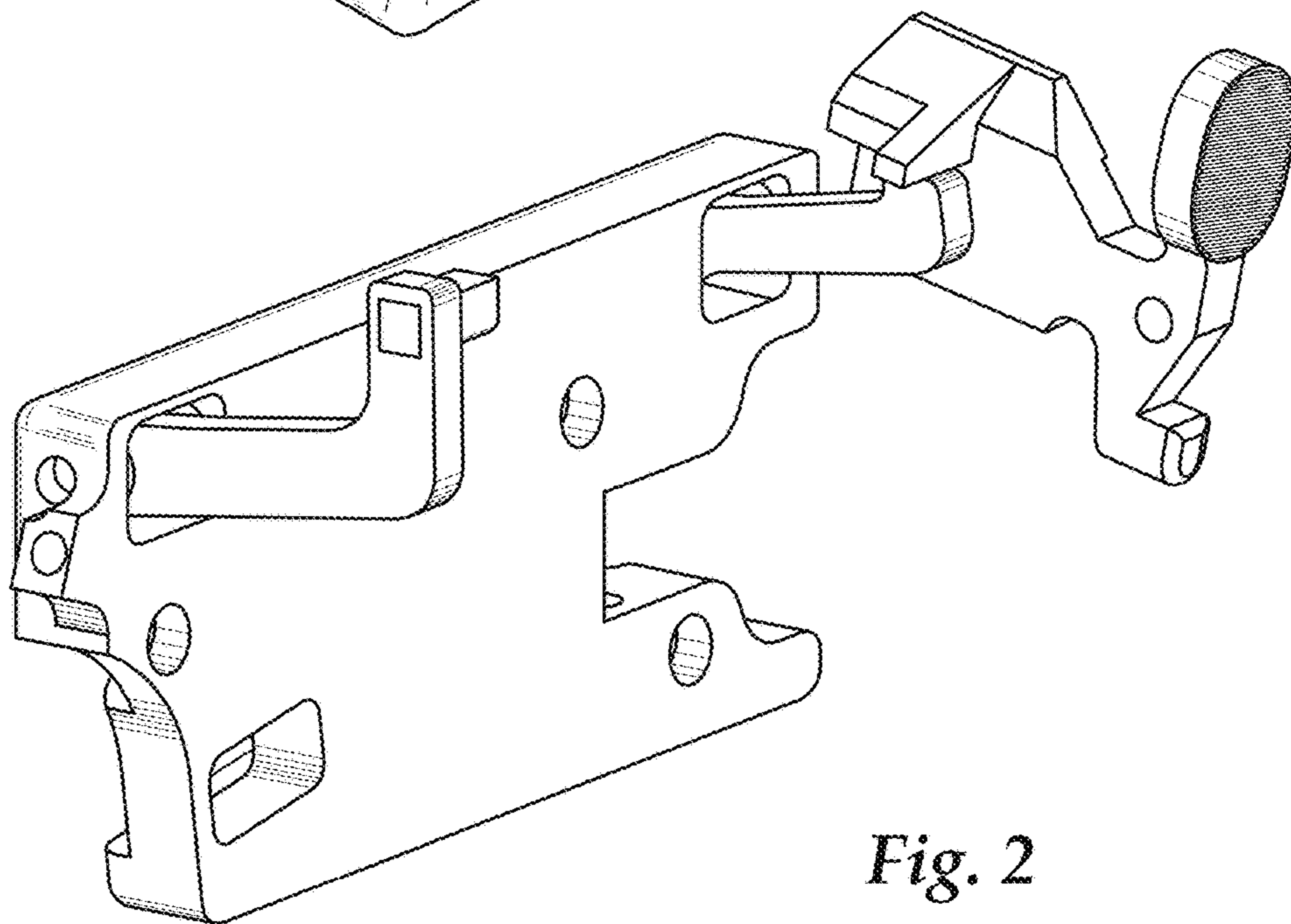


Fig. 2

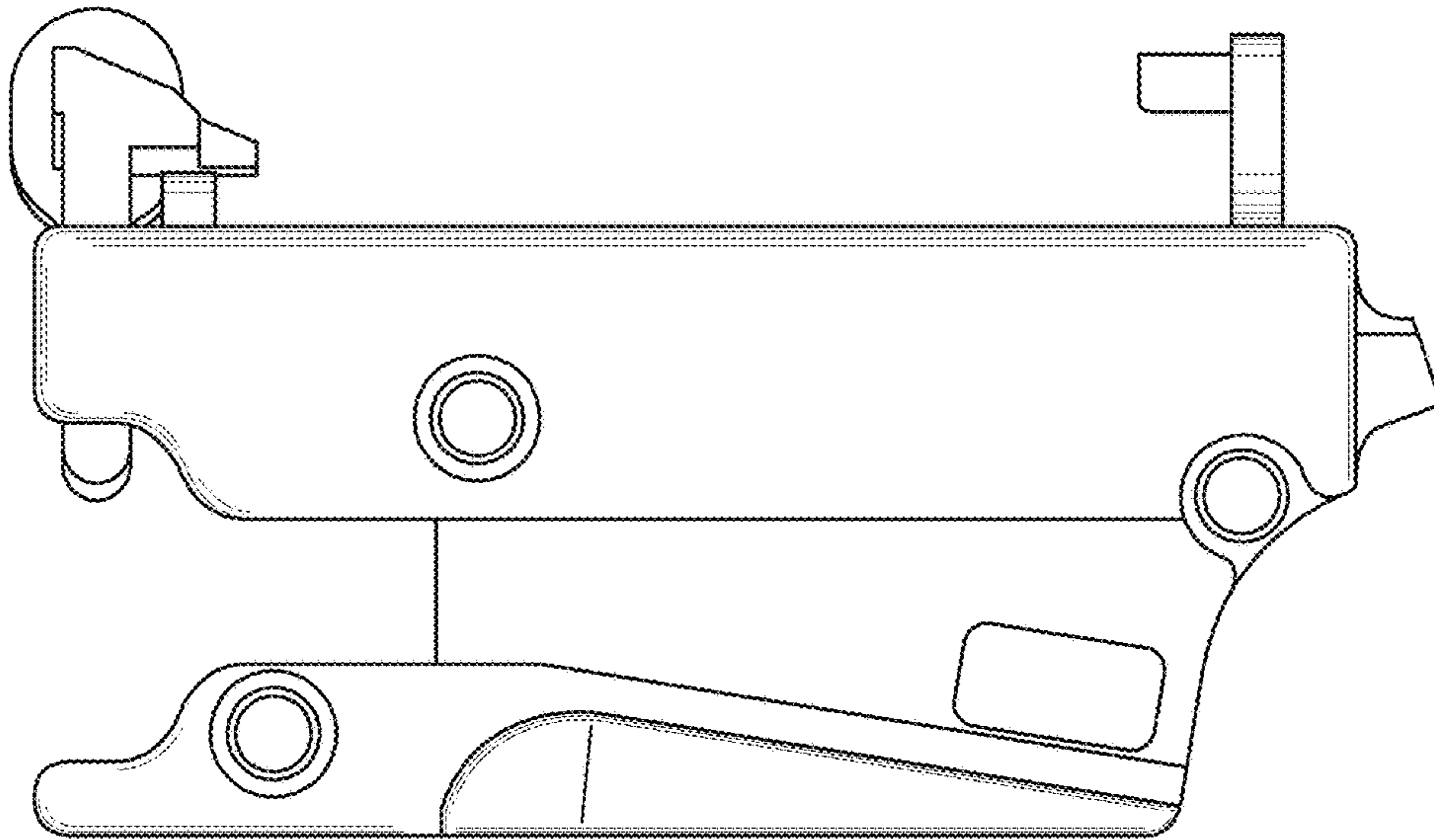


Fig. 3

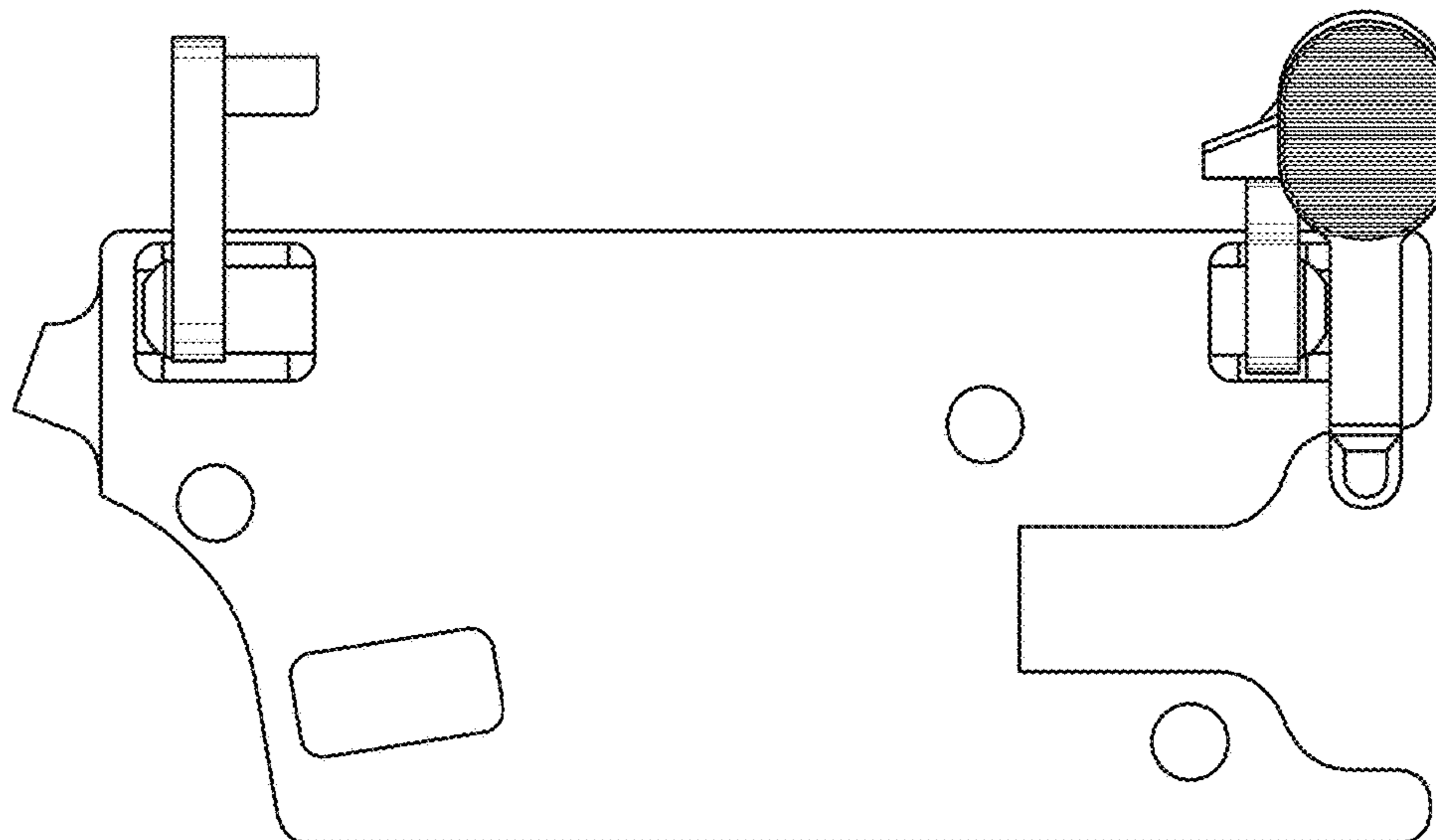


Fig. 4

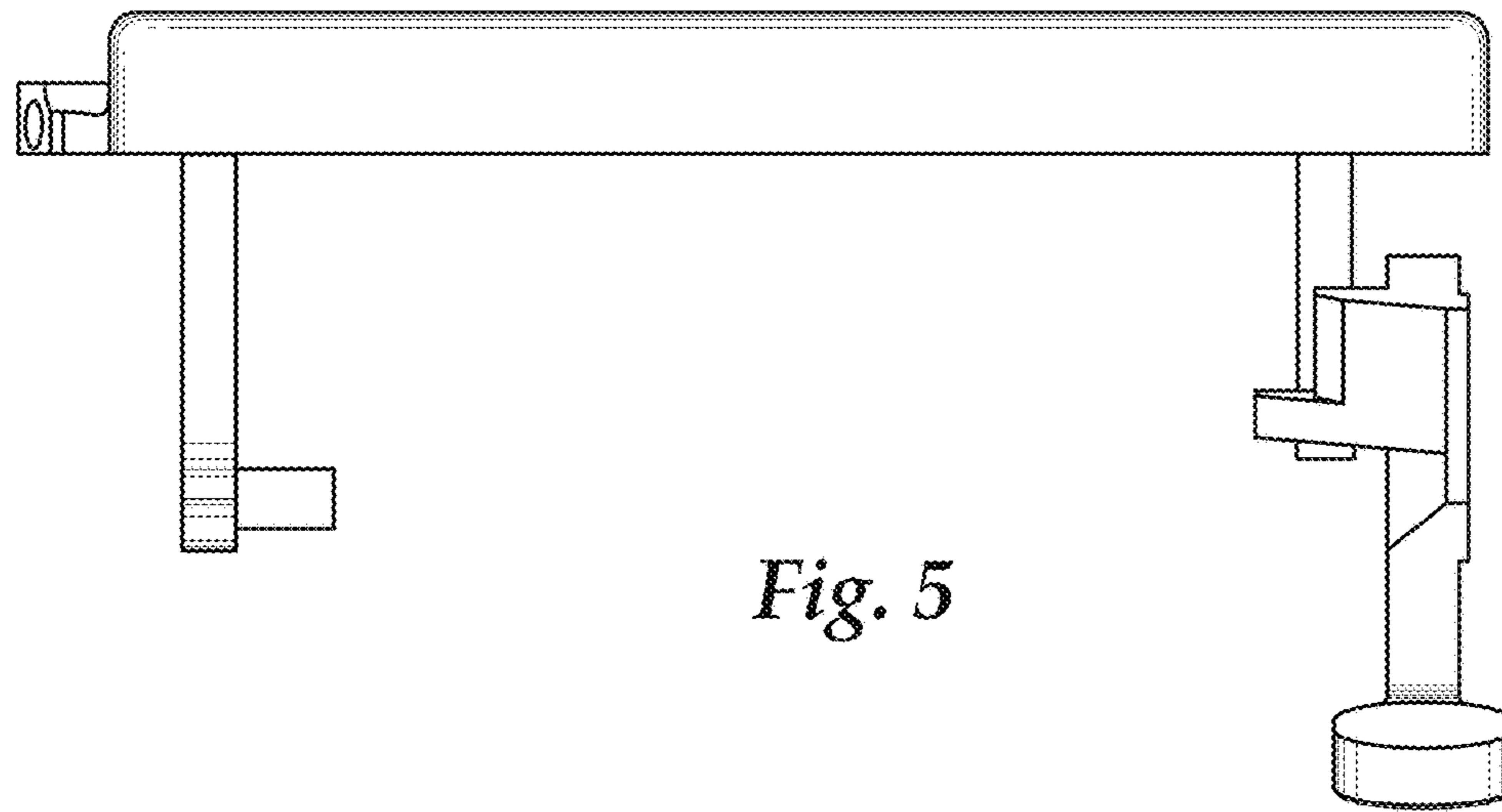


Fig. 5

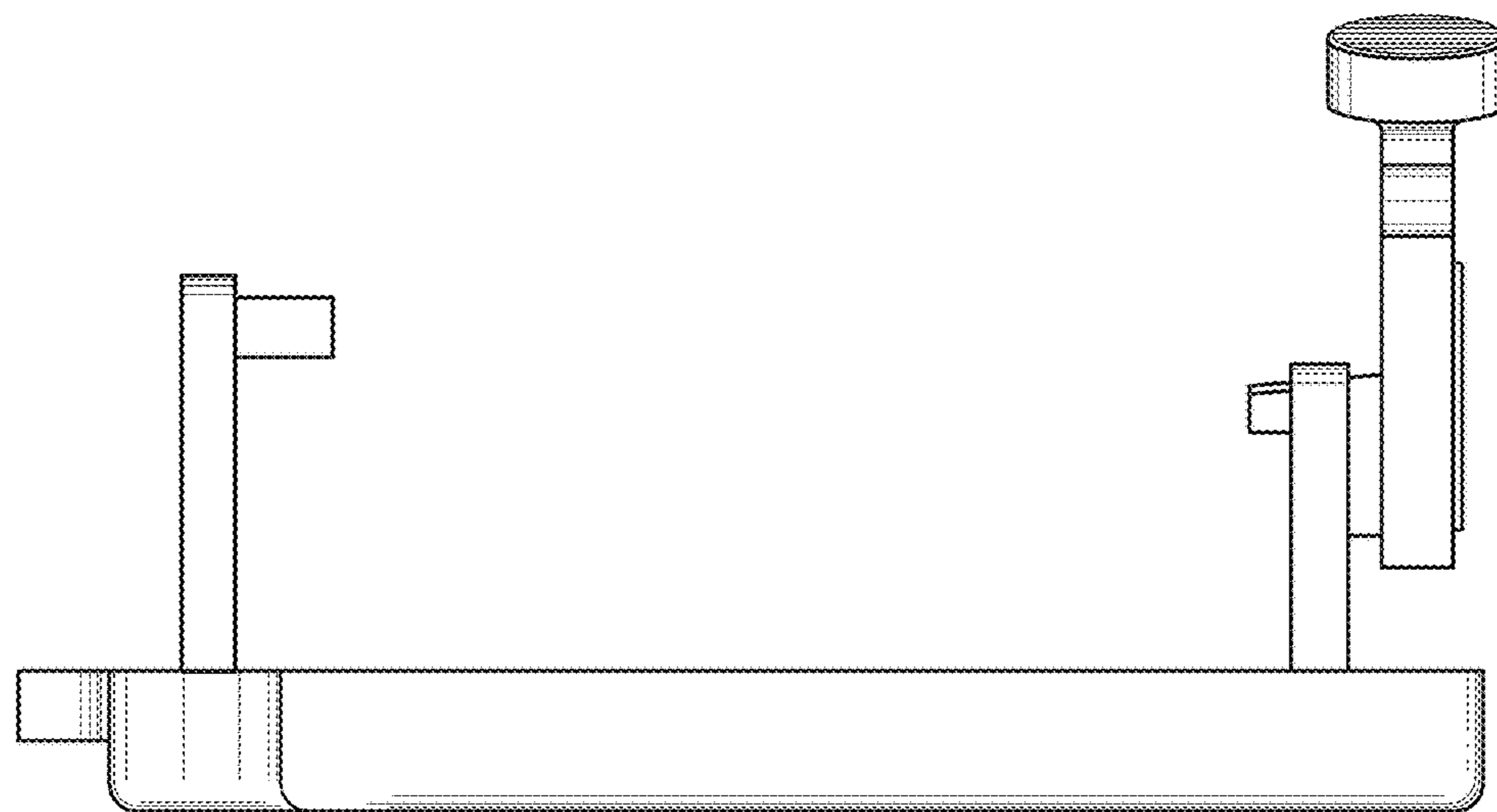


Fig. 6

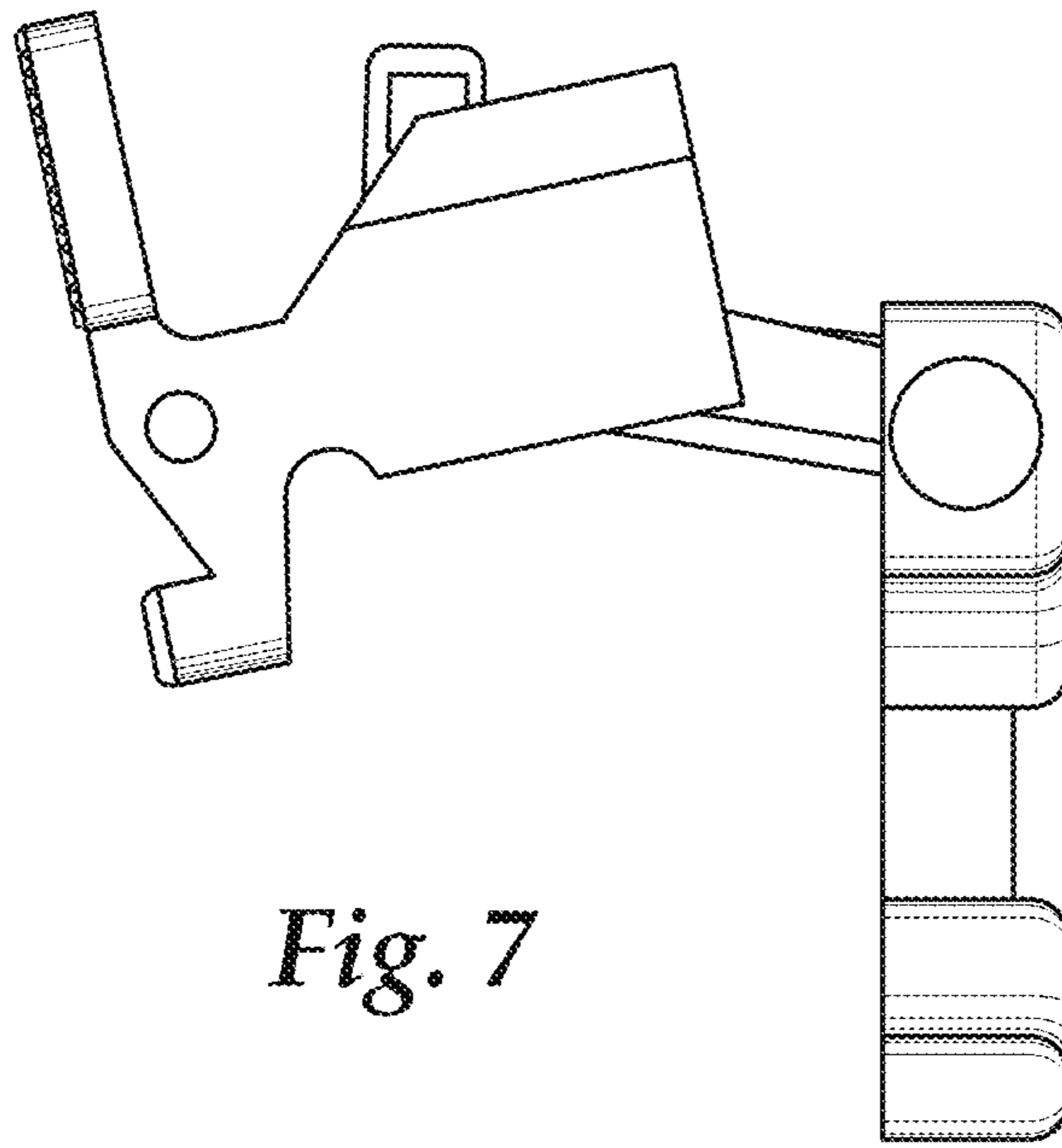


Fig. 7

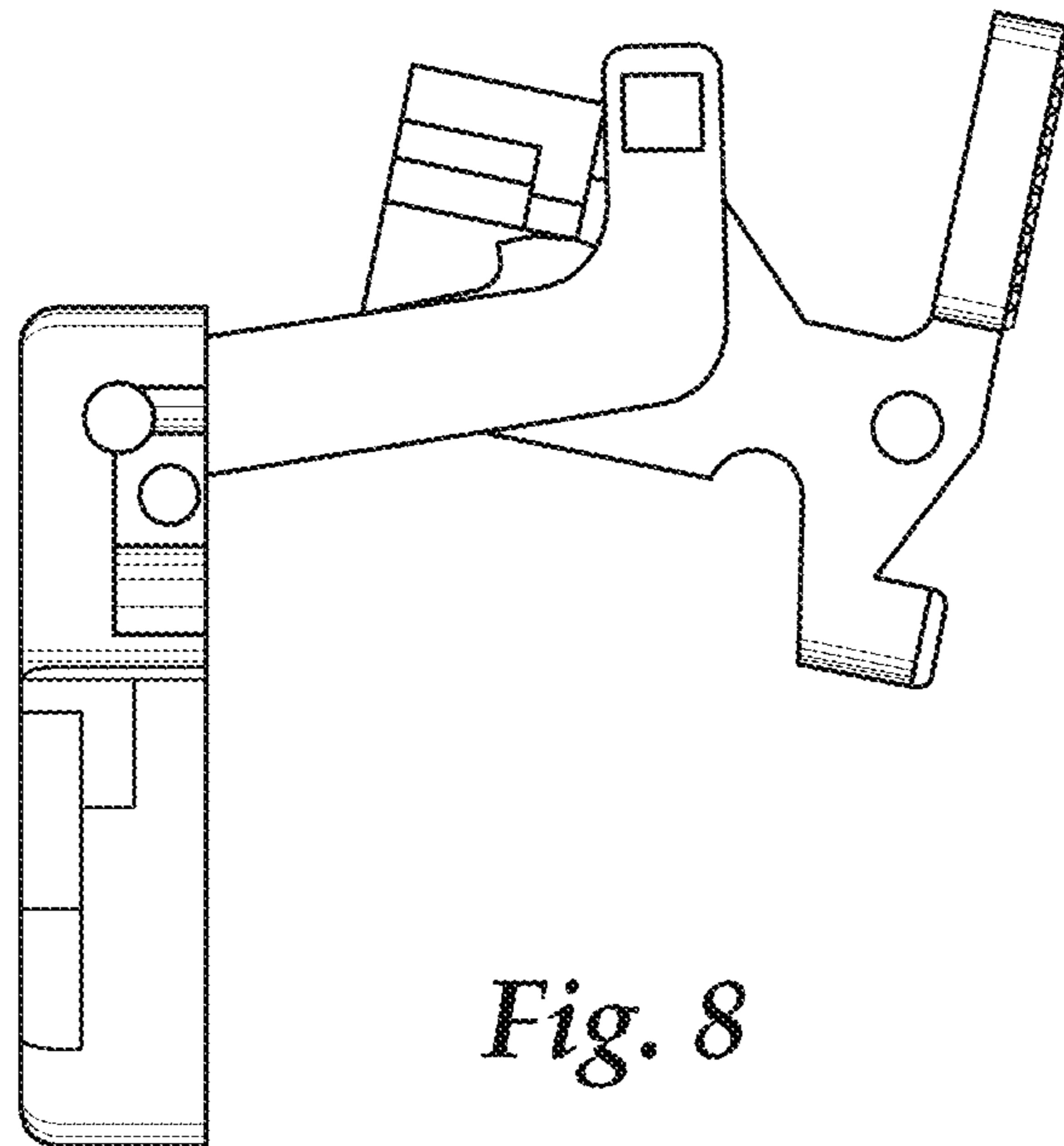


Fig. 8

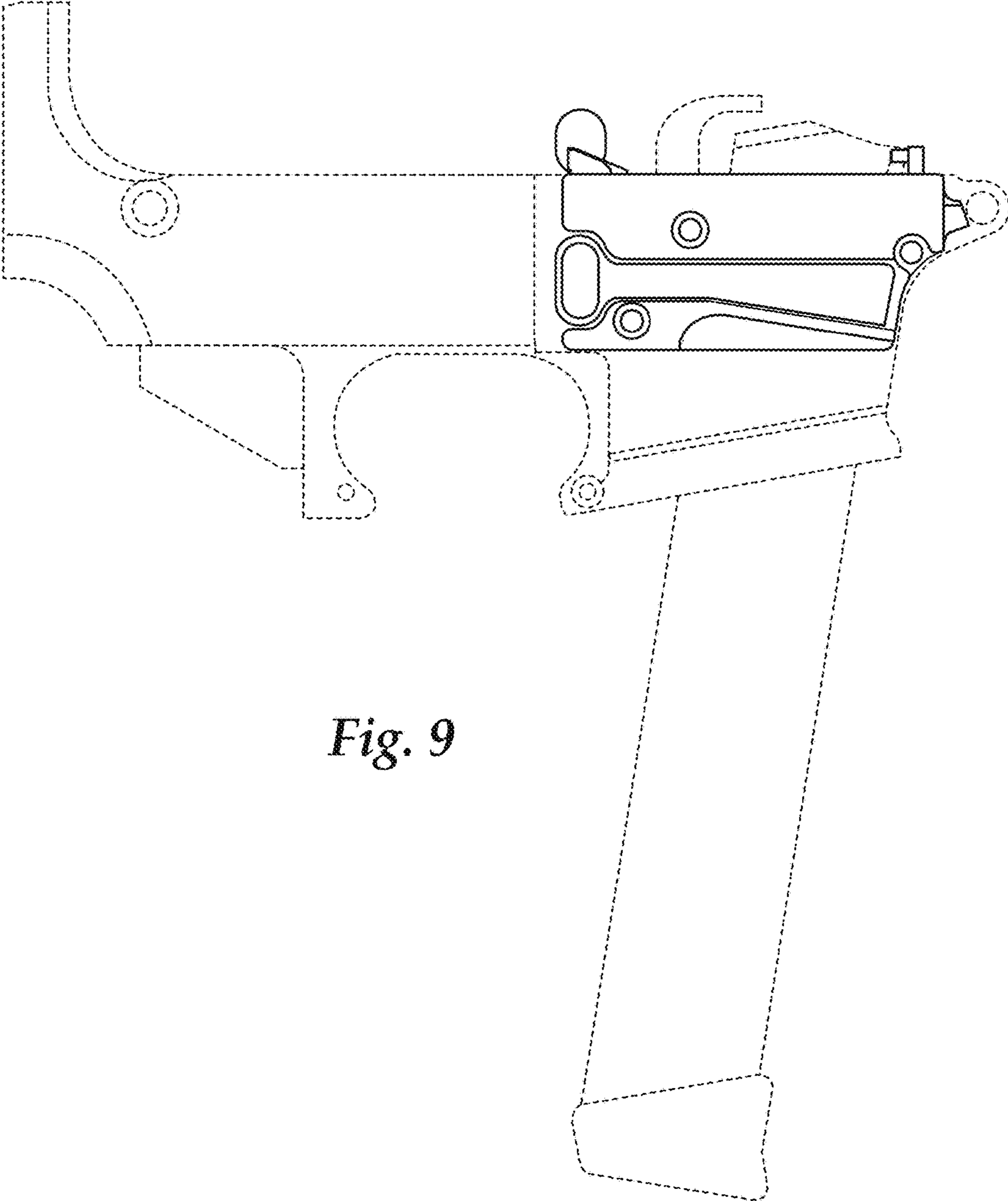


Fig. 9

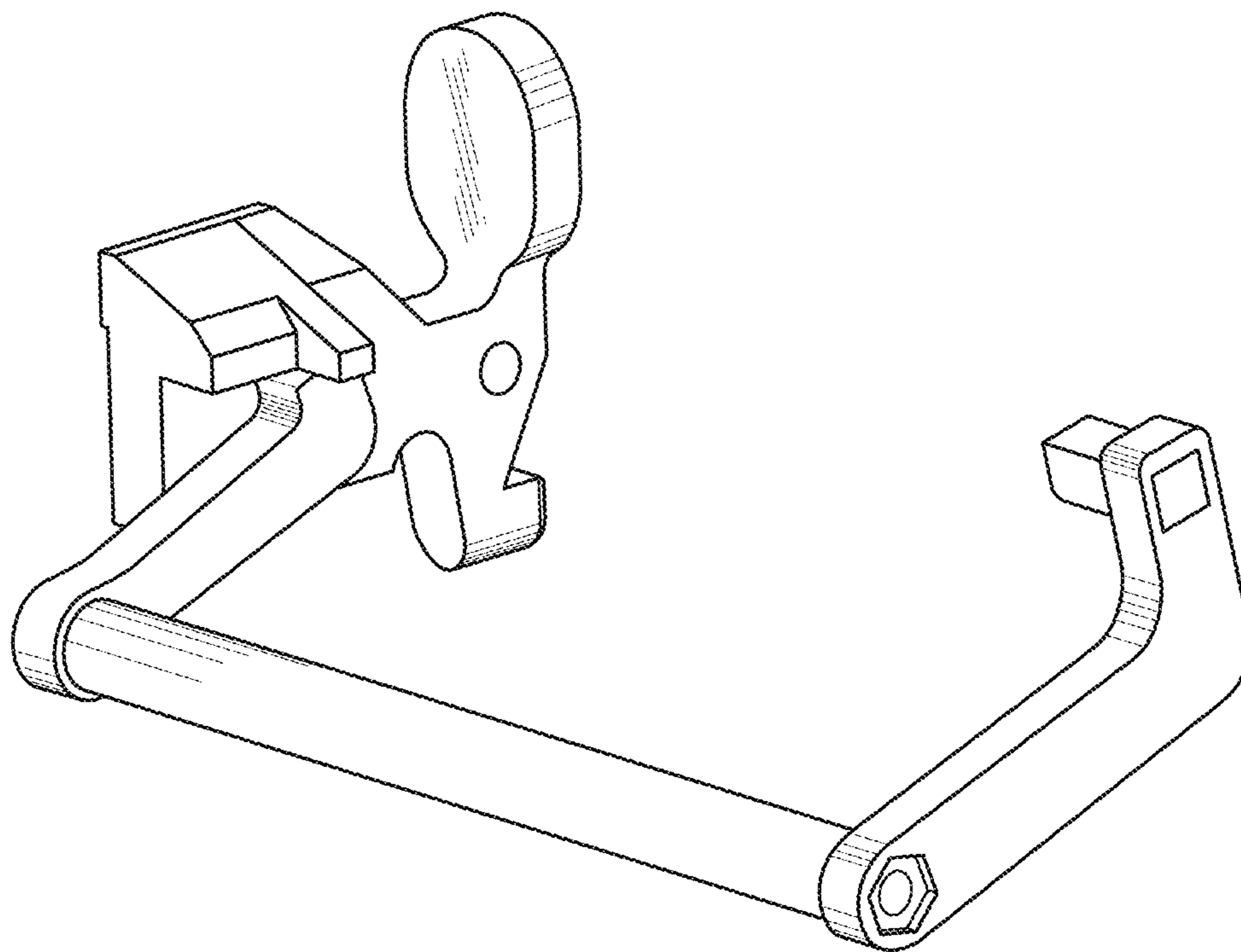


Fig. 10