



US00D816178S

(12) **United States Design Patent**
Goserud

(10) **Patent No.:** **US D816,178 S**
(45) **Date of Patent:** **** Apr. 24, 2018**

- (54) **COMBINED BALL MARK AND MAGNETIC CARRIER**
- (71) Applicant: **J. Thomas Goserud**, Landisville, PA (US)
- (72) Inventor: **J. Thomas Goserud**, Landisville, PA (US)
- (**) Term: **15 Years**
- (21) Appl. No.: **29/594,174**
- (22) Filed: **Feb. 16, 2017**
- (51) **LOC (11) Cl.** **21-02**
- (52) **U.S. Cl.**
USPC **D21/794**
- (58) **Field of Classification Search**
USPC D21/789, 793, 794
CPC A63B 57/353; A63B 57/207; A63B 57/00;
A63B 57/30; A63B 57/35; A63B 57/50
See application file for complete search history.

- D477,377 S * 7/2003 D'Aguzzo D21/793
- 6,966,851 B1 * 11/2005 England A42B 1/24
2/209.13
- D540,902 S * 4/2007 Regalado D21/794
- D573,302 S * 7/2008 Donne D21/793
- 7,922,605 B2 * 4/2011 Lim A63B 57/353
473/406
- 8,684,867 B2 * 4/2014 Murphy A63B 57/203
224/918
- D710,473 S * 8/2014 Kragerud D21/794
- 8,810,345 B1 8/2014 Goserud
- D741,972 S * 10/2015 McDevitt D21/794
- 9,192,835 B1 11/2015 Goserud
- 9,327,176 B1 5/2016 Goserud

* cited by examiner

Primary Examiner — Mitchell I. Siegel
(74) *Attorney, Agent, or Firm* — Dunlap Bennett & Ludwig PLLC; Brendan E. Squire

(57) **CLAIM**

The ornamental design for a combined ball mark and magnetic carrier, as shown and described.

(56) **References Cited**

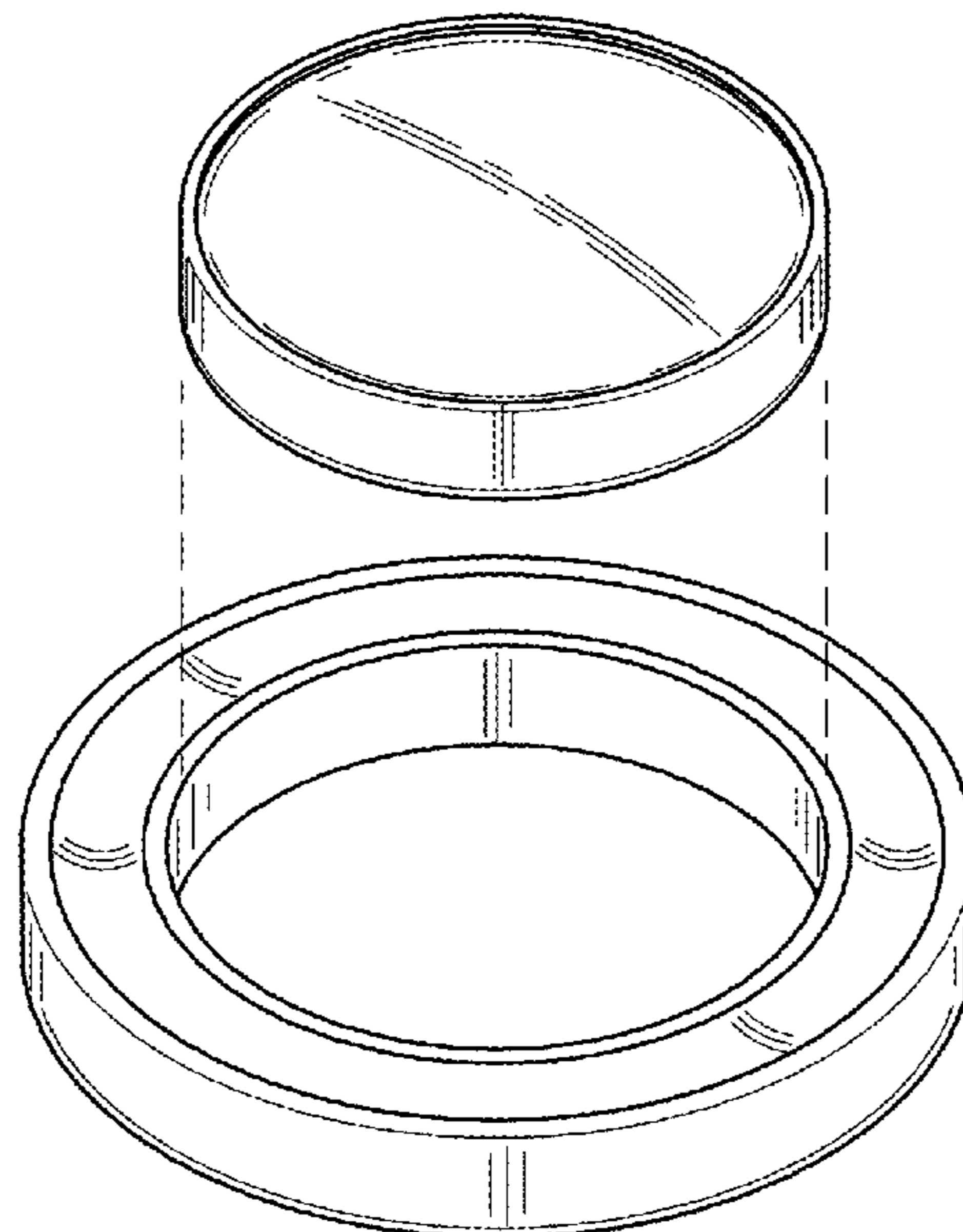
U.S. PATENT DOCUMENTS

- D181,057 S * 9/1957 Johnson D21/793
- D193,679 S * 9/1962 Baldwin D21/793
- 3,310,879 A * 3/1967 Brzezinski A63B 47/008
15/237
- 3,938,805 A * 2/1976 Sakuma A63B 57/207
224/901
- D253,420 S * 11/1979 Heerlien D10/64
- D253,788 S * 12/1979 Krlevich D21/793
- D345,776 S * 4/1994 Williams D10/64
- D350,179 S * 8/1994 Johnson D21/794
- 5,898,946 A * 5/1999 Keating A42B 1/24
2/209.13
- 6,422,955 B1 * 7/2002 Lopez A42B 1/24
224/918
- D474,521 S * 5/2003 Knight D21/793

DESCRIPTION

FIG. 1 is a perspective view of a combined ball mark and magnetic carrier showing my new design;
FIG. 2 is a top plan view thereof, the bottom plan view being an identical image thereof;
FIG. 3 is a side elevation view thereof;
FIG. 4 is a sectional side elevation view along line 4-4 of FIG. 2 thereof;
FIG. 5 is an exploded perspective view thereof;
FIG. 6 is a side elevation view of the ball mark; and,
FIG. 7 is a top plan view of the ball mark, the bottom plan view being an identical image thereof.

1 Claim, 3 Drawing Sheets



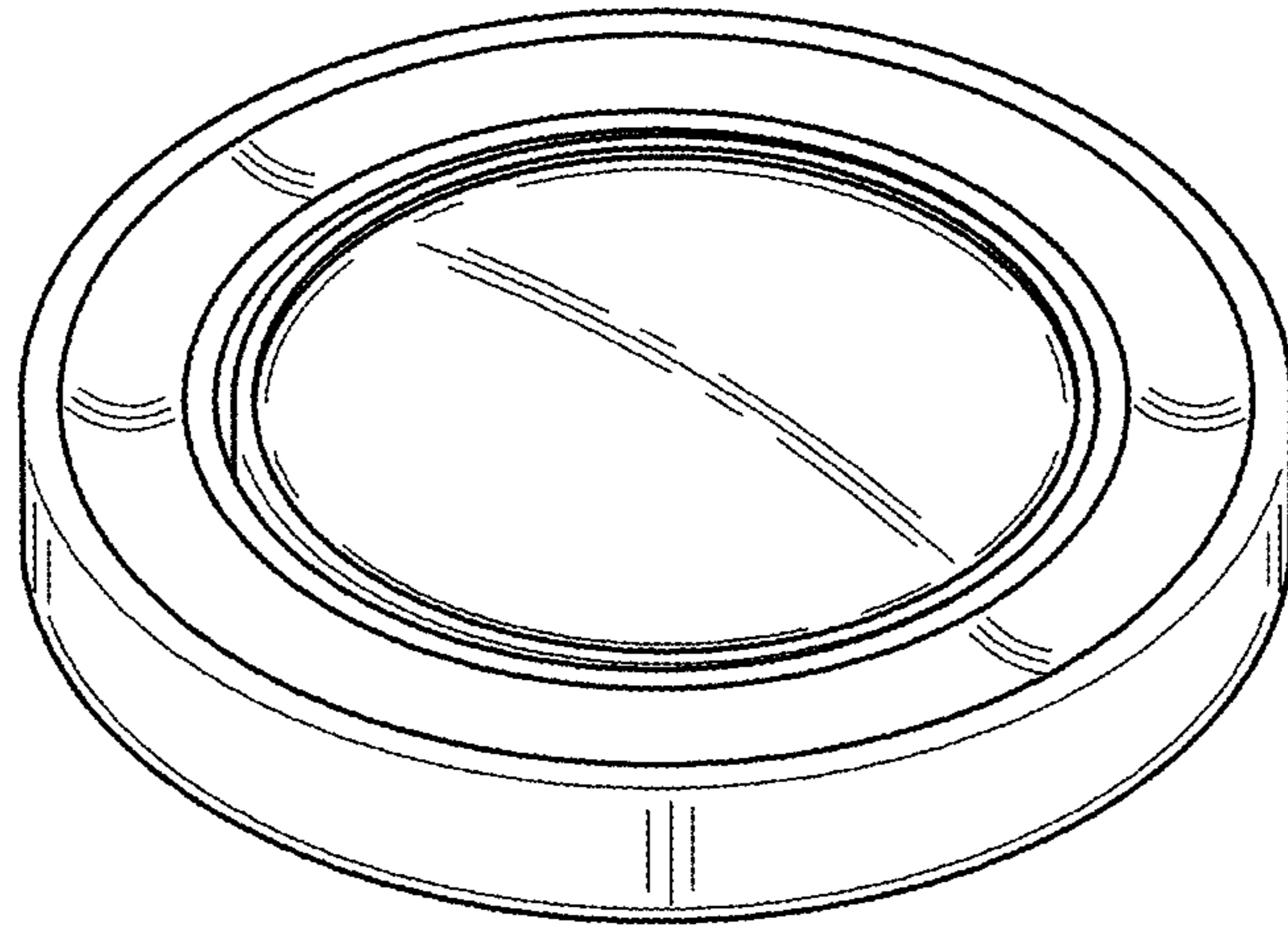


Fig. 1

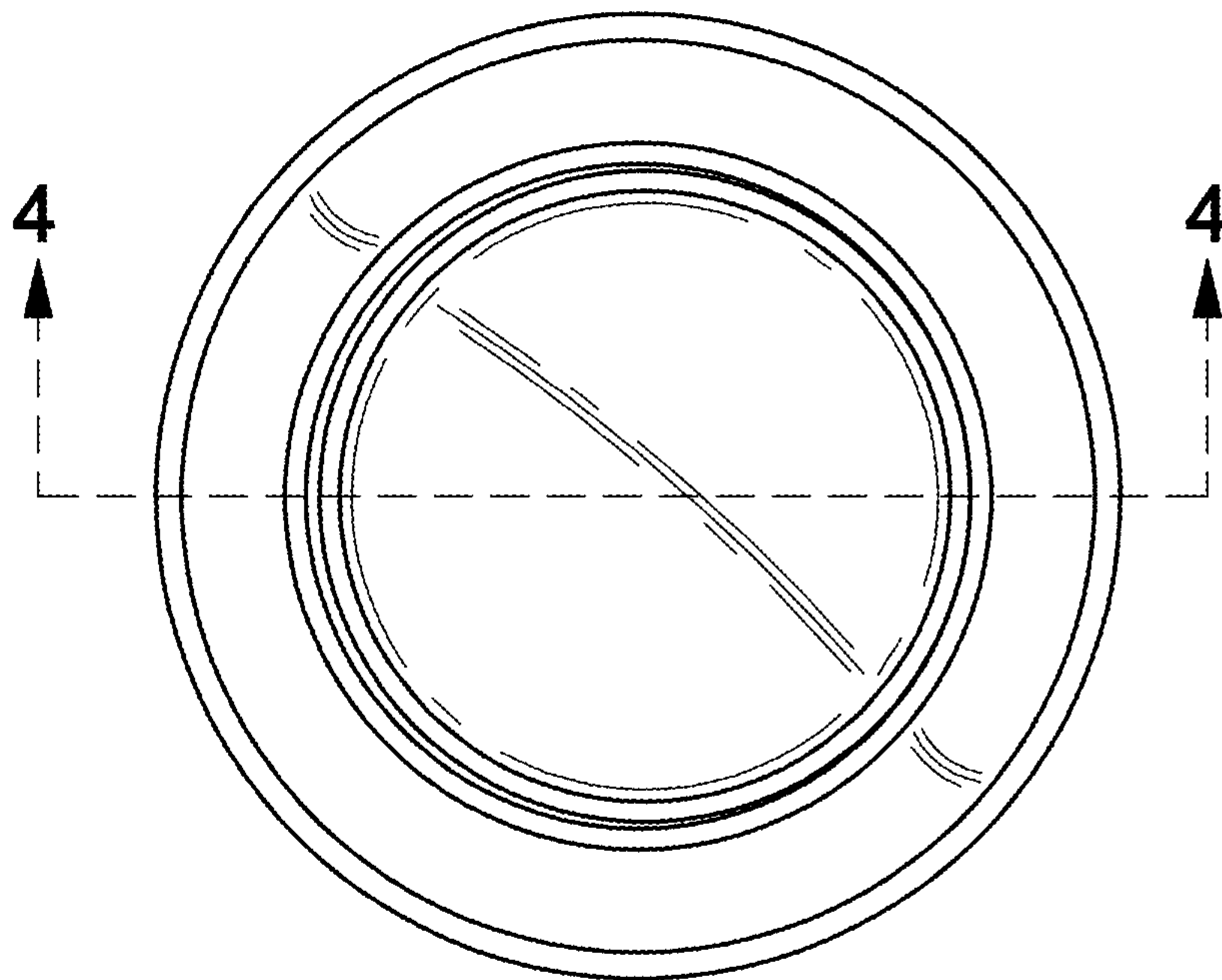


Fig. 2



Fig. 3

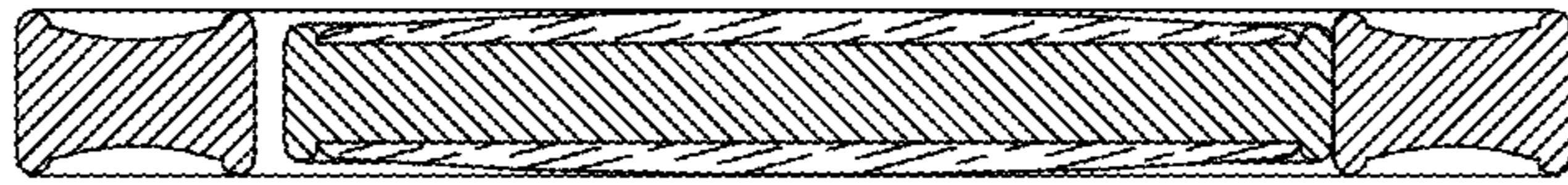


Fig. 4

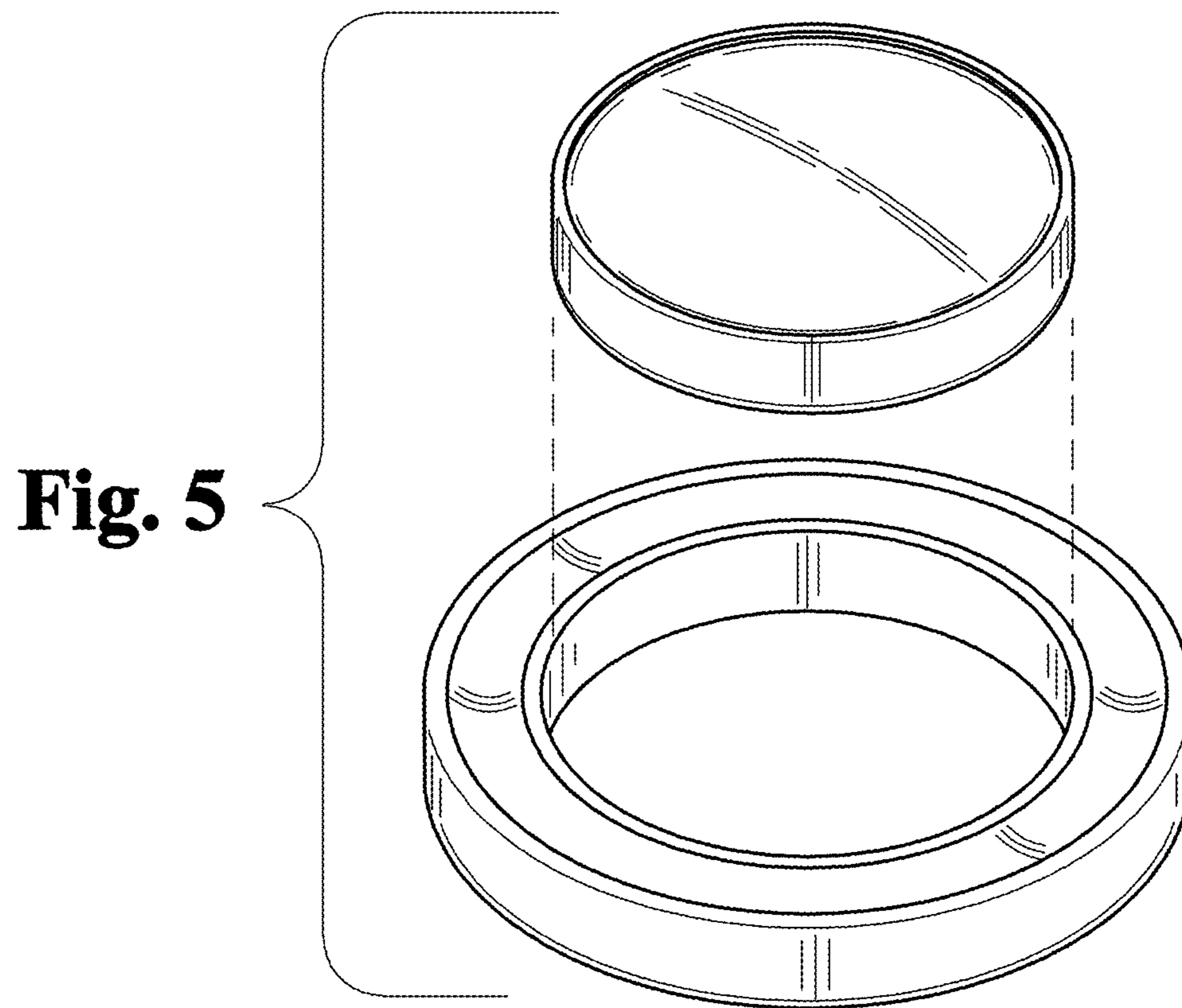


Fig. 5



Fig. 6

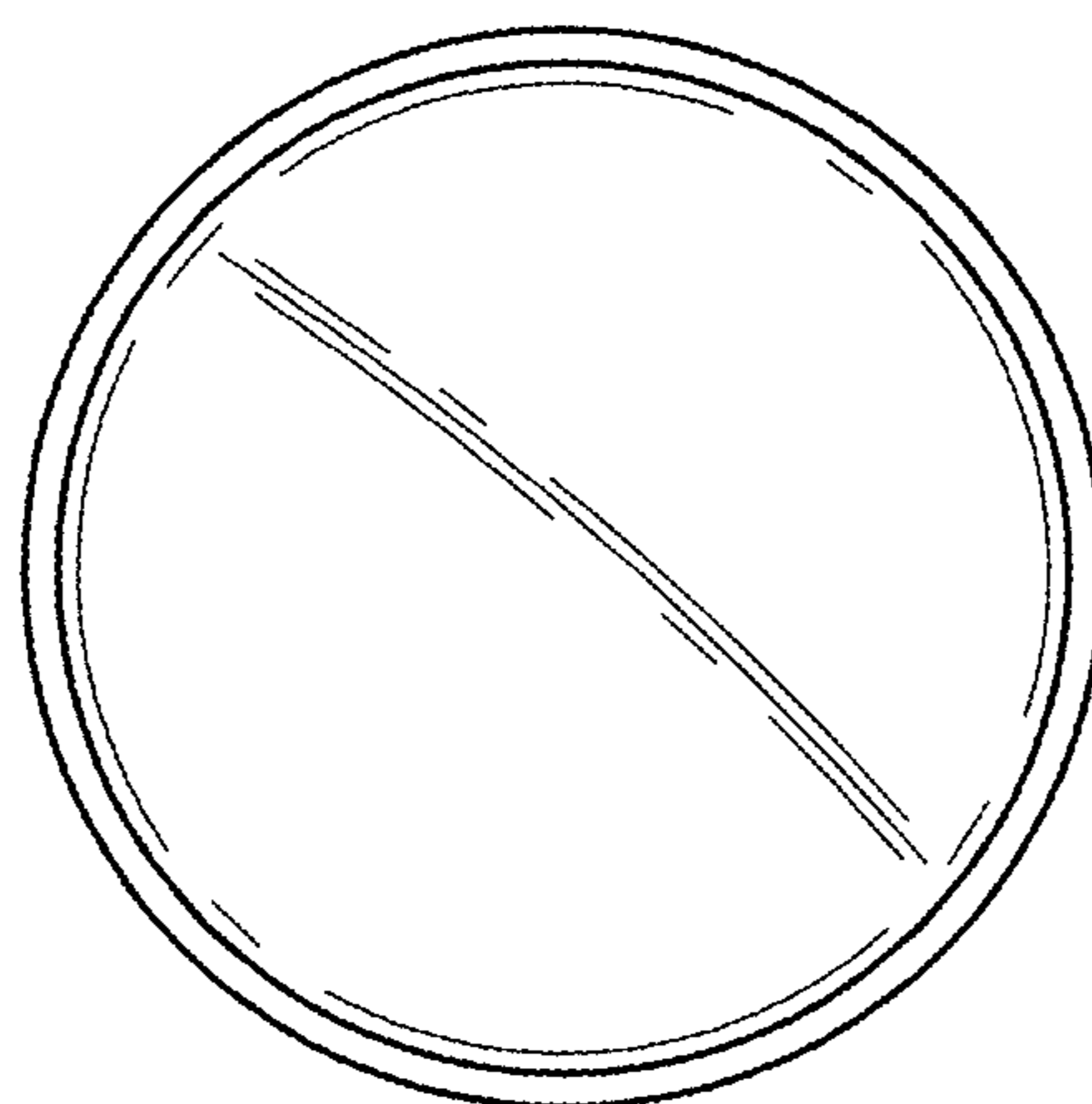


Fig. 7