



US00D816175S

(12) **United States Design Patent**
Solheim et al.

(10) **Patent No.:** **US D816,175 S**
(45) **Date of Patent:** **** Apr. 24, 2018**

(54) **GOLF CLUB HEAD**

(71) Applicant: **Karsten Manufacturing Corporation**,
Phoenix, AZ (US)

(72) Inventors: **John A. Solheim**, Phoenix, AZ (US);
David D. Jones, Phoenix, AZ (US);
Anthony D. Serrano, Anthem, AZ
(US)

(73) Assignee: **Karsten Manufacturing Corporation**,
Phoenix, AZ (US)

(**) Term: **15 Years**

(21) Appl. No.: **29/581,065**

(22) Filed: **Oct. 14, 2016**

(51) **LOC (11) Cl.** **21-02**

(52) **U.S. Cl.**
USPC **D21/743**

(58) **Field of Classification Search**
USPC D21/736-746, 759
CPC A63B 53/00; A63B 53/04; A63B 53/007;
A63B 53/065; A63B 53/0487; A63B
60/00; A63B 60/46

See application file for complete search history.

(56) **References Cited**

U.S. PATENT DOCUMENTS

3,884,477	A	5/1975	Bianco	
D235,668	S	7/1975	Swash	
4,030,766	A	6/1977	Derr	
D316,129	S	4/1991	Bryson	
5,830,078	A *	11/1998	McMahan A63B 53/0487 473/252
D410,056	S *	5/1999	McMahan D21/744
6,159,108	A	12/2000	De La Pena	
6,379,259	B1	4/2002	Opie	
D488,200	S	4/2004	Olsavsky et al.	

D488,526 S 4/2004 Souza
D500,109 S * 12/2004 Solheim D21/736
D500,110 S * 12/2004 Solheim D21/742
(Continued)

OTHER PUBLICATIONS

Stina Sternberg, "Hot List 2008—Putters," Golf Digest Feb. 2008 at 158-169 also available at <http://golfdigest.com/equipment/ratings>, CraZ-E.

(Continued)

Primary Examiner — Mitchell I. Siegel

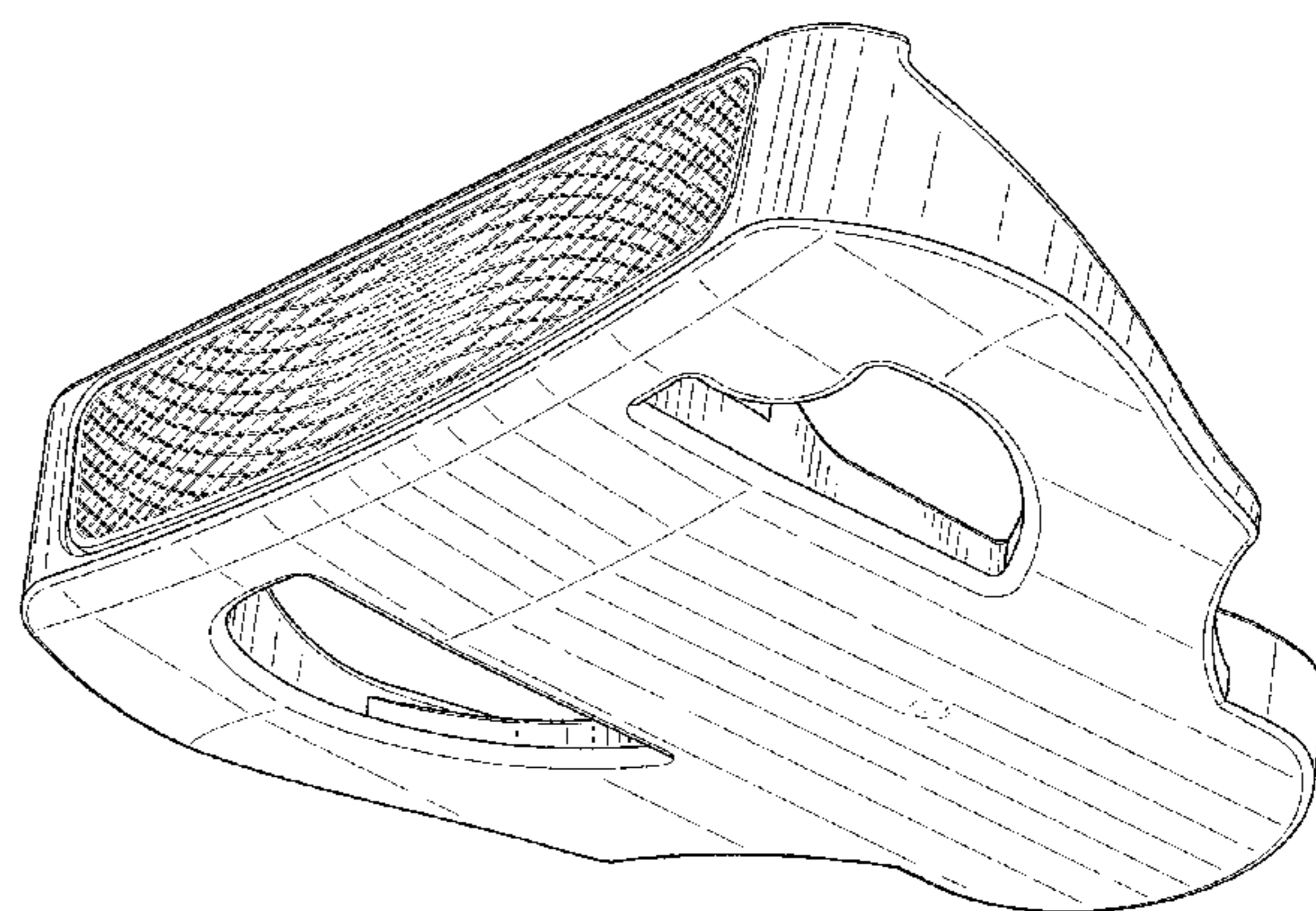
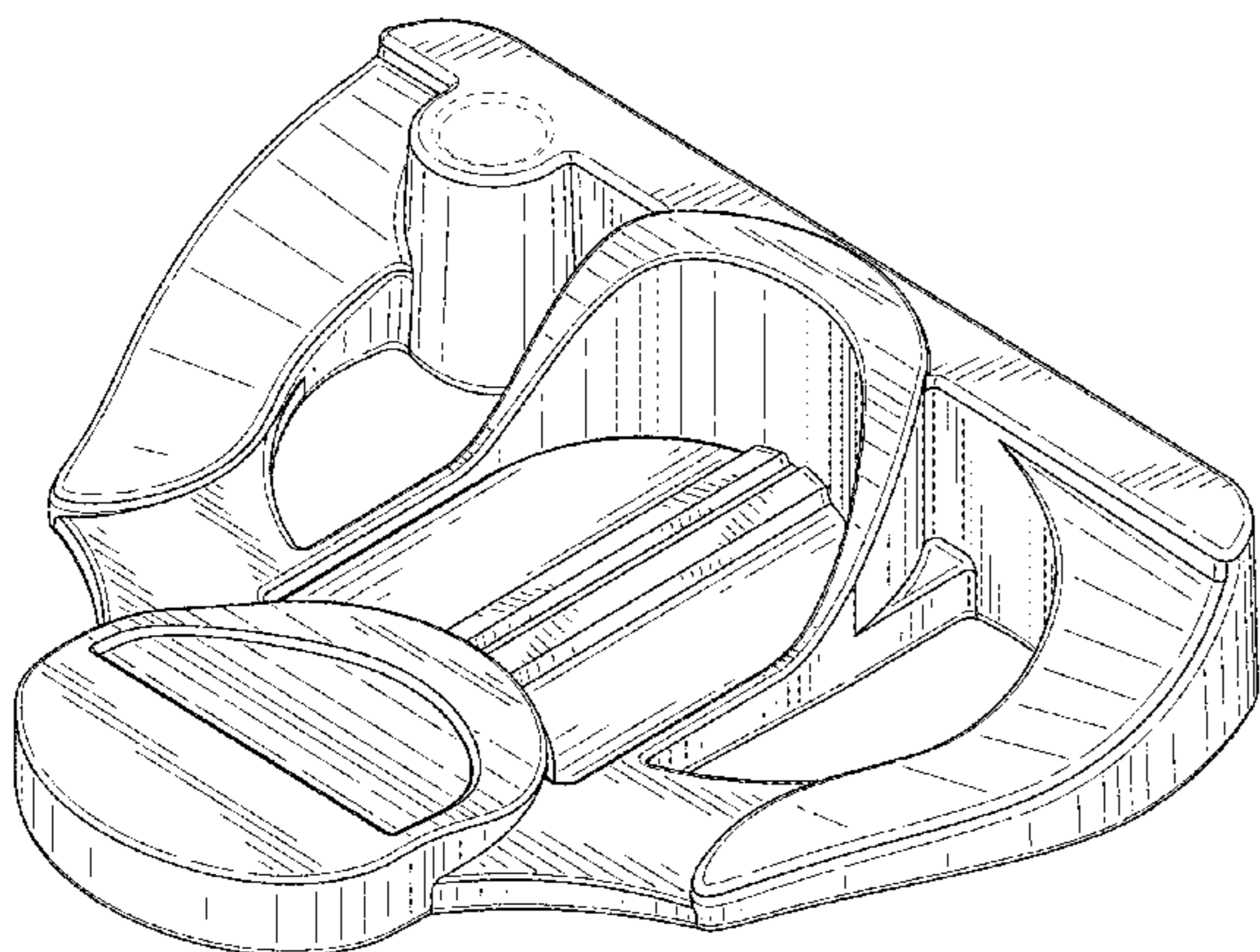
(57) **CLAIM**

The ornamental design for a golf club head, as shown and described.

DESCRIPTION

FIG. 1 is a top perspective view of a golf club head; FIG. 2 is a bottom perspective view of the golf club head of FIG. 1; FIG. 3 is a front view of the golf club head of FIG. 1; FIG. 4 is a rear view of the golf club head of FIG. 1; FIG. 5 is a toe view of the golf club head of FIG. 1; FIG. 6 is a heel view of the golf club head of FIG. 1; FIG. 7 is a top view of the golf club head of FIG. 1; FIG. 8 is a bottom view of the golf club head of FIG. 1; FIG. 9 is a top perspective view of another embodiment of a golf club head; FIG. 10 is a bottom perspective view of the golf club head of FIG. 9; FIG. 11 is a front view of the golf club head of FIG. 9; FIG. 12 is a rear view of the golf club head of FIG. 9; FIG. 13 is a toe view of the golf club head of FIG. 9; FIG. 14 is a heel view of the golf club head of FIG. 9; FIG. 15 is a top view of the golf club head of FIG. 9; and, FIG. 16 is a bottom view of the golf club head of FIG. 9. The broken lines shown in one or more of the figures are for illustrative purposes only and form no part of the claimed design.

1 Claim, 14 Drawing Sheets



(56)

References Cited

U.S. PATENT DOCUMENTS

6,837,801 B1 1/2005 Souza
 D502,236 S 2/2005 Grace
 6,878,071 B1 4/2005 Schwieger
 6,893,355 B2 5/2005 Souza
 6,902,496 B2 6/2005 Solheim
 D507,612 S 7/2005 Souza
 6,926,615 B1 8/2005 Souza
 6,960,140 B2 11/2005 Solheim
 6,966,845 B2 11/2005 Solheim
 D513,776 S 1/2006 Grace
 D520,584 S 5/2006 Karlson
 D521,582 S 5/2006 Souza
 7,052,411 B2 5/2006 Solheim
 D522,598 S * 6/2006 Solheim D21/742
 D524,887 S * 7/2006 Jones D21/736
 D525,327 S * 7/2006 Jones D21/736
 D525,328 S * 7/2006 Solheim D21/736
 D525,329 S * 7/2006 Jones D21/736
 7,077,758 B2 7/2006 Rohrer
 D526,376 S 8/2006 Grace
 7,086,957 B2 8/2006 Solheim
 D527,777 S * 9/2006 Solheim D21/736
 D528,177 S 9/2006 Grace
 D528,616 S 9/2006 Grace
 D529,108 S 9/2006 Stites
 D532,842 S * 11/2006 Jones D21/736
 D532,843 S * 11/2006 Jones D21/736
 D533,243 S * 12/2006 Fife, Jr. D21/736
 D533,609 S * 12/2006 Moore D21/742
 7,235,021 B2 * 6/2007 Solheim 473/251
 D548,295 S 8/2007 Jertson
 7,255,650 B2 8/2007 Bryant
 D552,197 S 10/2007 Wells et al.
 D565,137 S 3/2008 Oldknow
 D569,462 S 5/2008 Rollinson
 D581,473 S 11/2008 Thomas
 D583,003 S 12/2008 Solheim
 D587,325 S 2/2009 Solheim
 D594,073 S 6/2009 Kadoya
 D600,760 S * 9/2009 Serrano D21/736
 D600,761 S 9/2009 Solheim

D600,762 S 9/2009 Sierrano
 D607,950 S 1/2010 Souza
 D617,857 S * 6/2010 Sones D21/746
 D621,458 S 8/2010 Sierrano
 D621,460 S * 8/2010 Serrano D21/742
 D621,461 S * 8/2010 Serrano D21/742
 D621,462 S 8/2010 Sierrano
 D621,891 S * 8/2010 Serrano D21/742
 D623,710 S 9/2010 Hilton et al.
 7,803,066 B2 9/2010 Solheim
 D625,764 S 10/2010 Hilton et al.
 D629,476 S * 12/2010 Serrano D21/742
 D638,891 S 5/2011 Nicolette
 D643,080 S * 8/2011 Serrano D21/742
 D643,485 S 8/2011 Nicolette
 D643,486 S * 8/2011 Serrano D21/742
 D643,487 S * 8/2011 Serrano D21/742
 D632,748 S 9/2011 Serrano et al.
 D645,104 S 9/2011 Nicolette et al.
 8,100,779 B2 1/2012 Solheim
 D653,718 S 2/2012 Stokke
 8,109,838 B2 2/2012 Solheim
 D664,617 S 7/2012 Sierrano
 D715,388 S 10/2014 Serrano
 D741,967 S * 10/2015 Davis D21/736
 D796,605 S * 9/2017 Serrano D21/744
 2005/0159242 A1 * 7/2005 Solheim A63B 53/0487
 473/340
 2005/0170904 A1 8/2005 Smeeth
 2006/0094533 A1 5/2006 Warren
 2006/0166755 A1 7/2006 Brown
 2007/0191135 A1 8/2007 Nilsson
 2007/0243951 A1 * 10/2007 Nishino A63B 53/0487
 473/340
 2010/0227704 A1 9/2010 Souza

OTHER PUBLICATIONS

Stina Sternberg, "Hot List 2008—Putters," Golf Digest Feb. 2008 at 158-169 also available at <http://golfdigest.com/equipment/ratings>, Profound Putter.

* cited by examiner

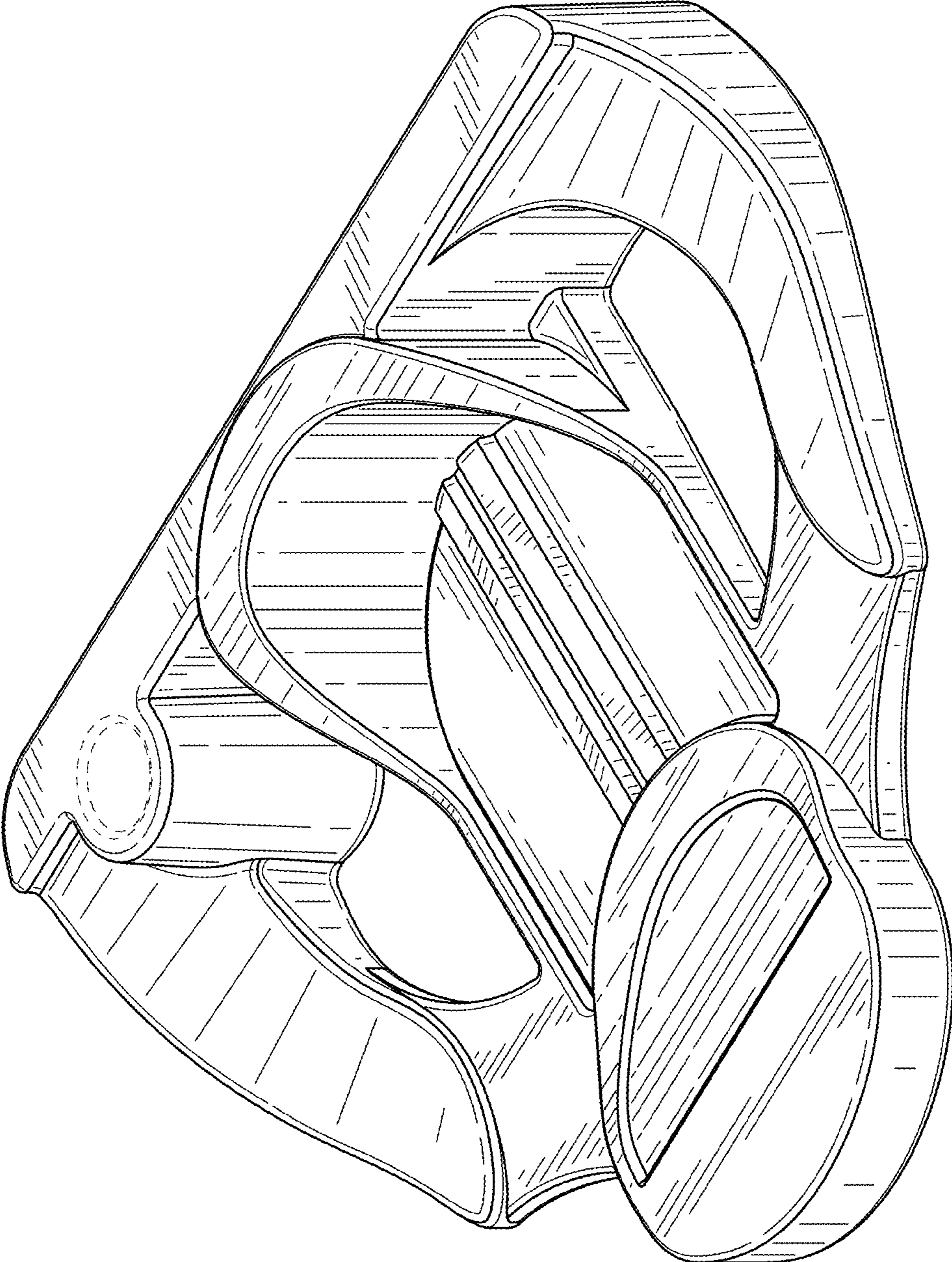


FIG. 1

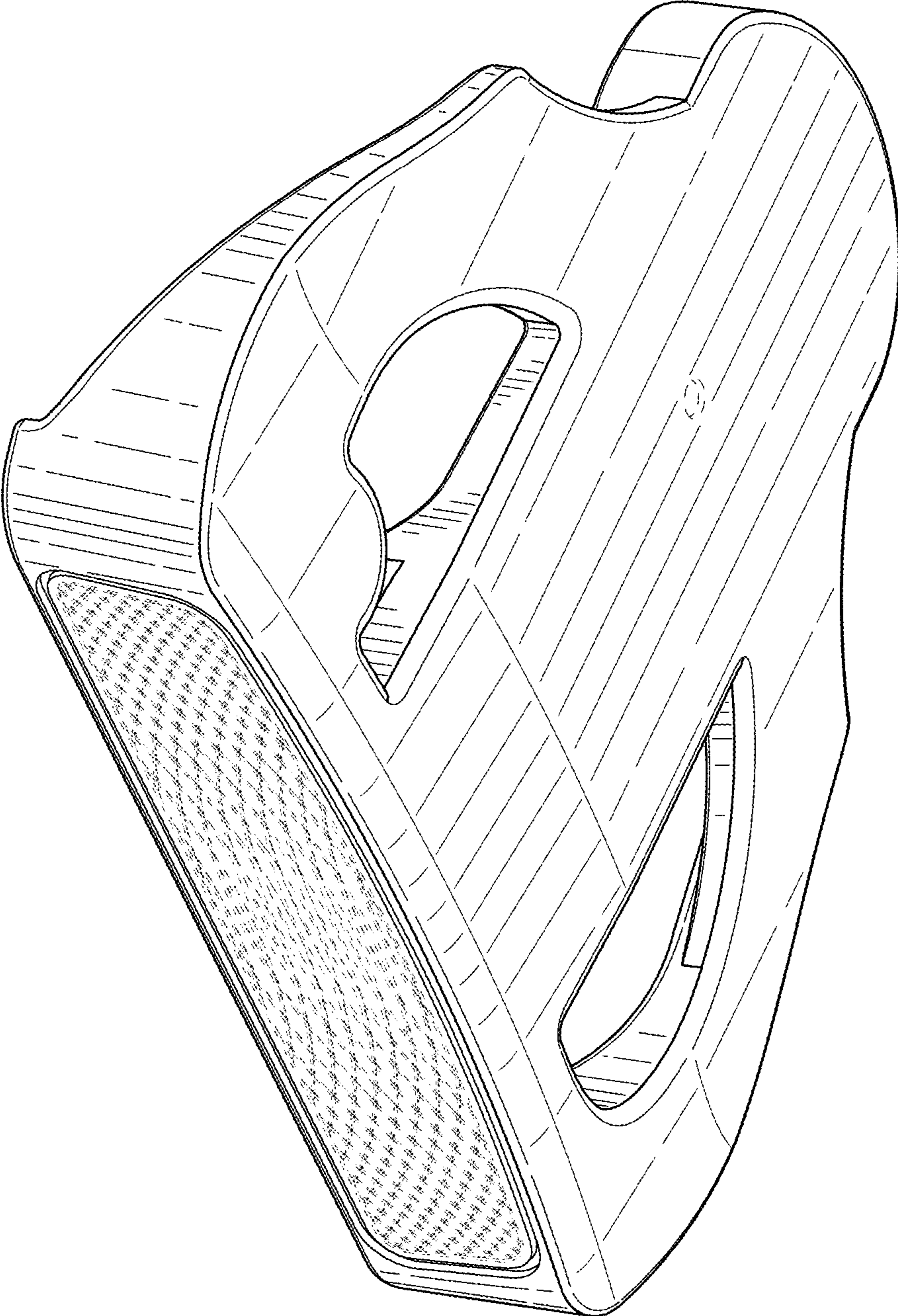


FIG. 2

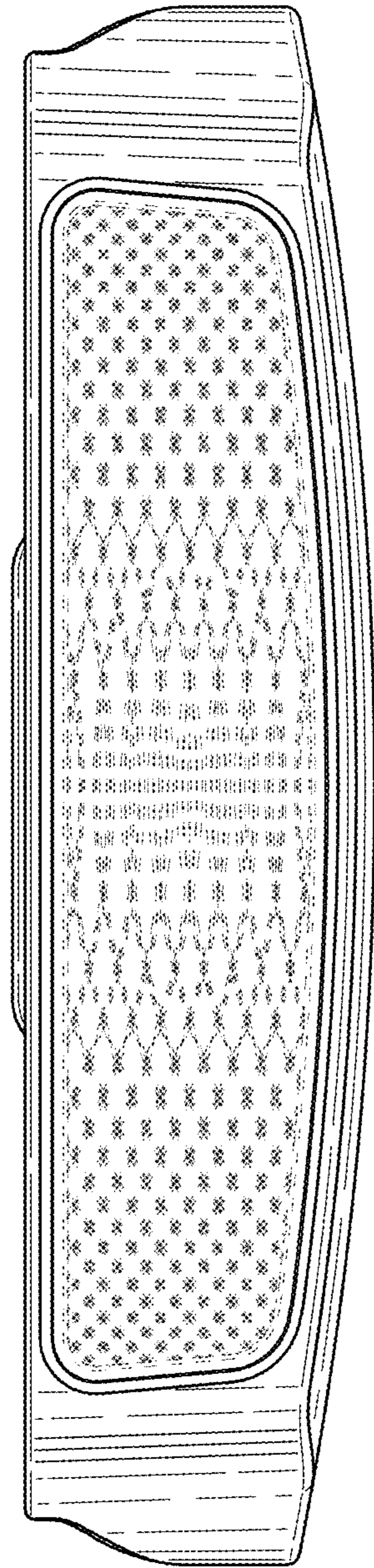


FIG. 3

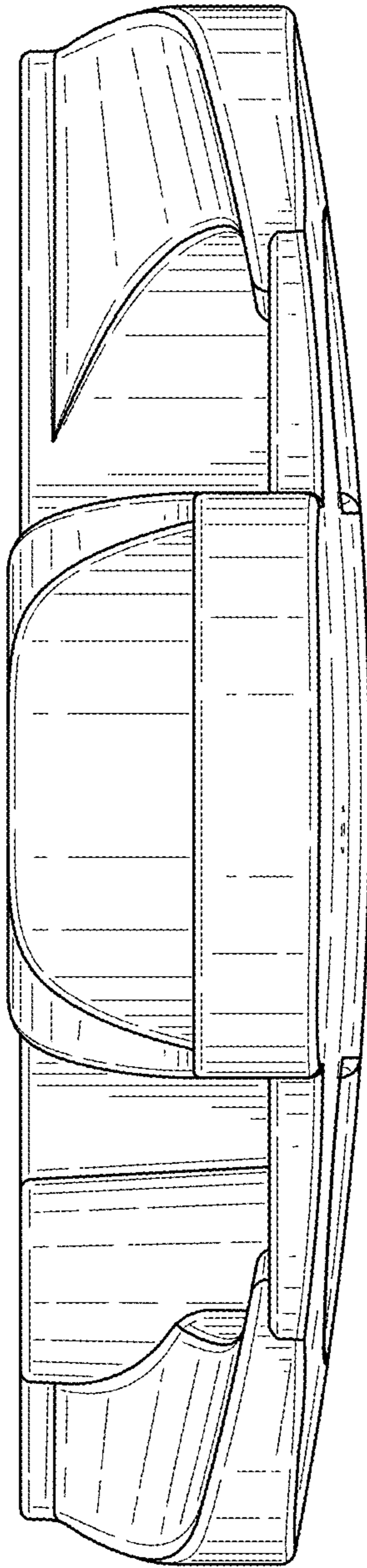


FIG. 4

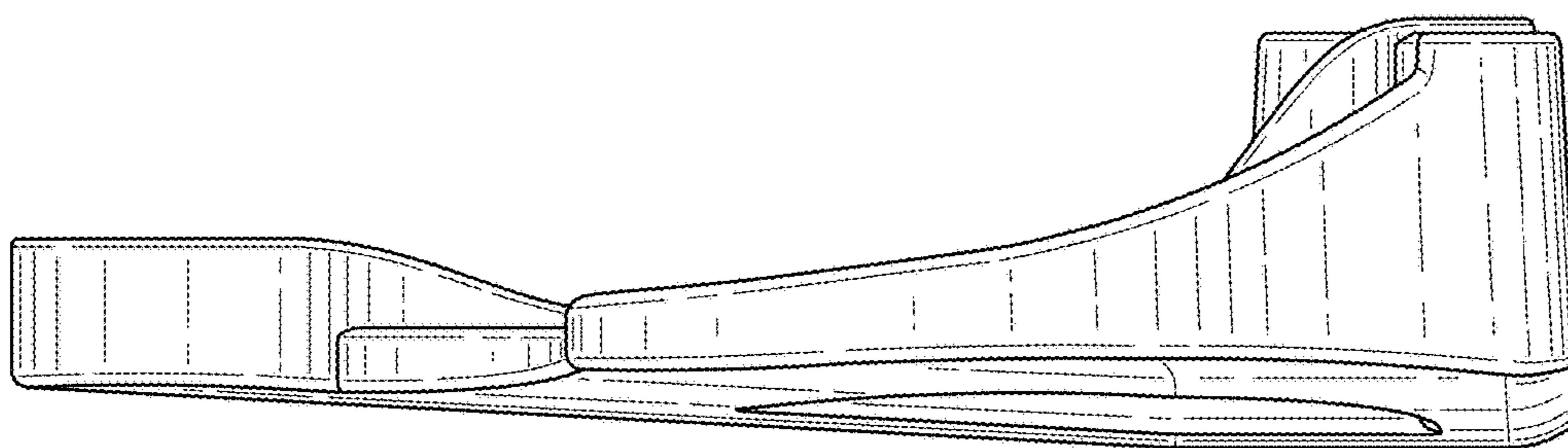


FIG. 5

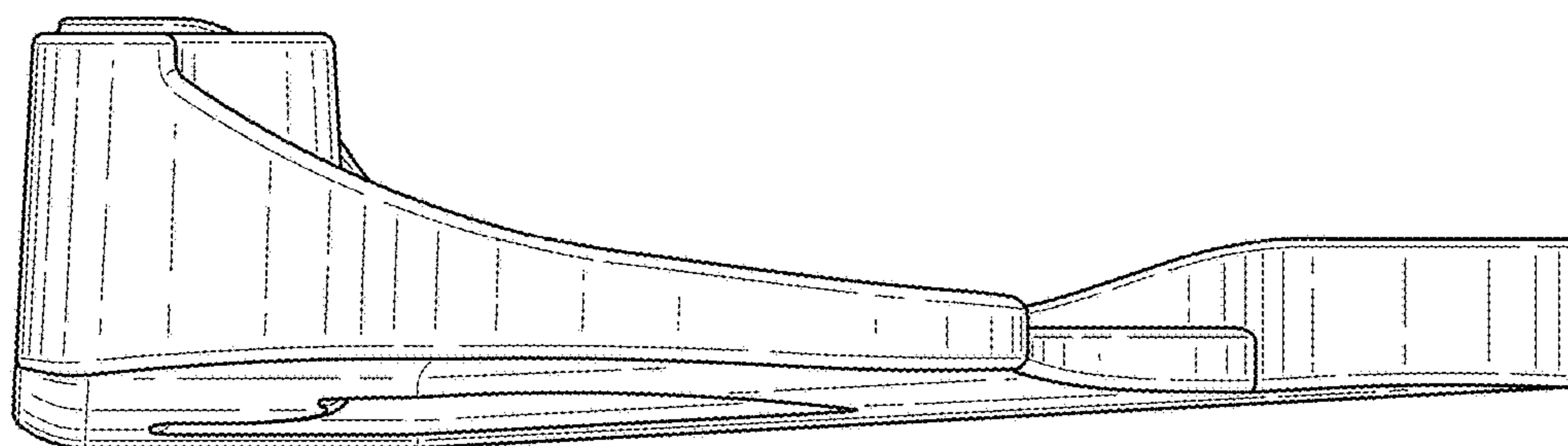


FIG. 6

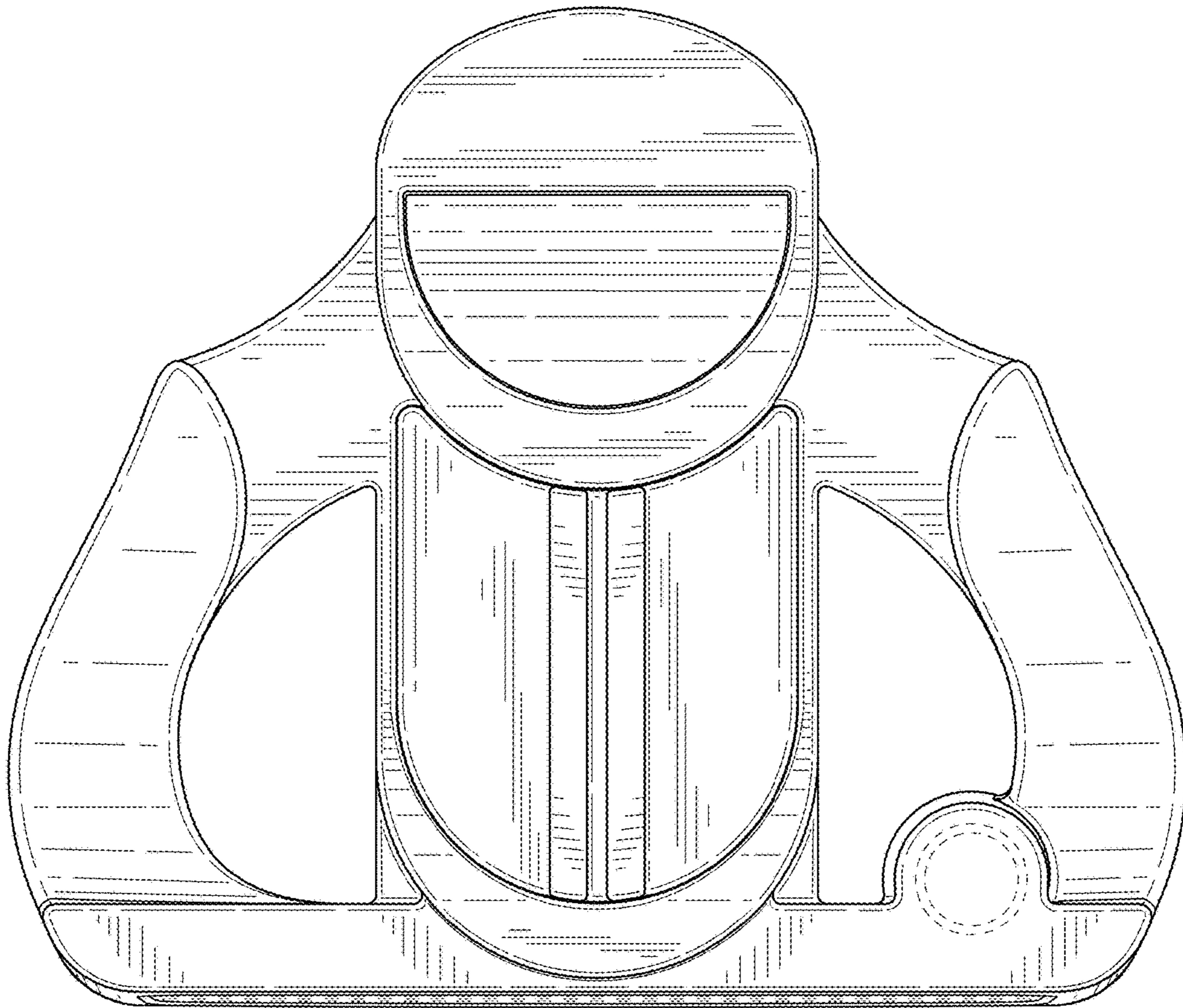


FIG. 7

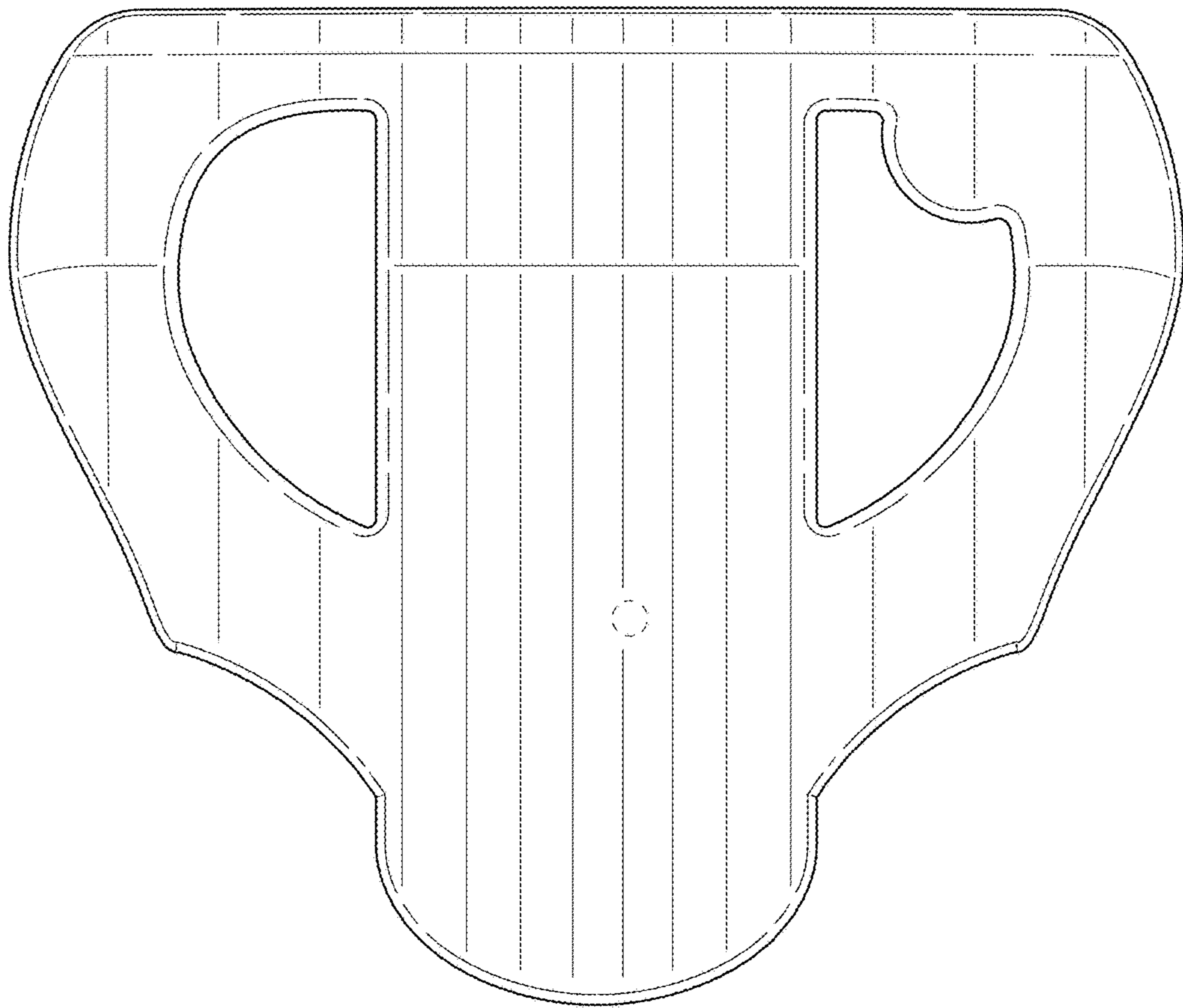


FIG. 8

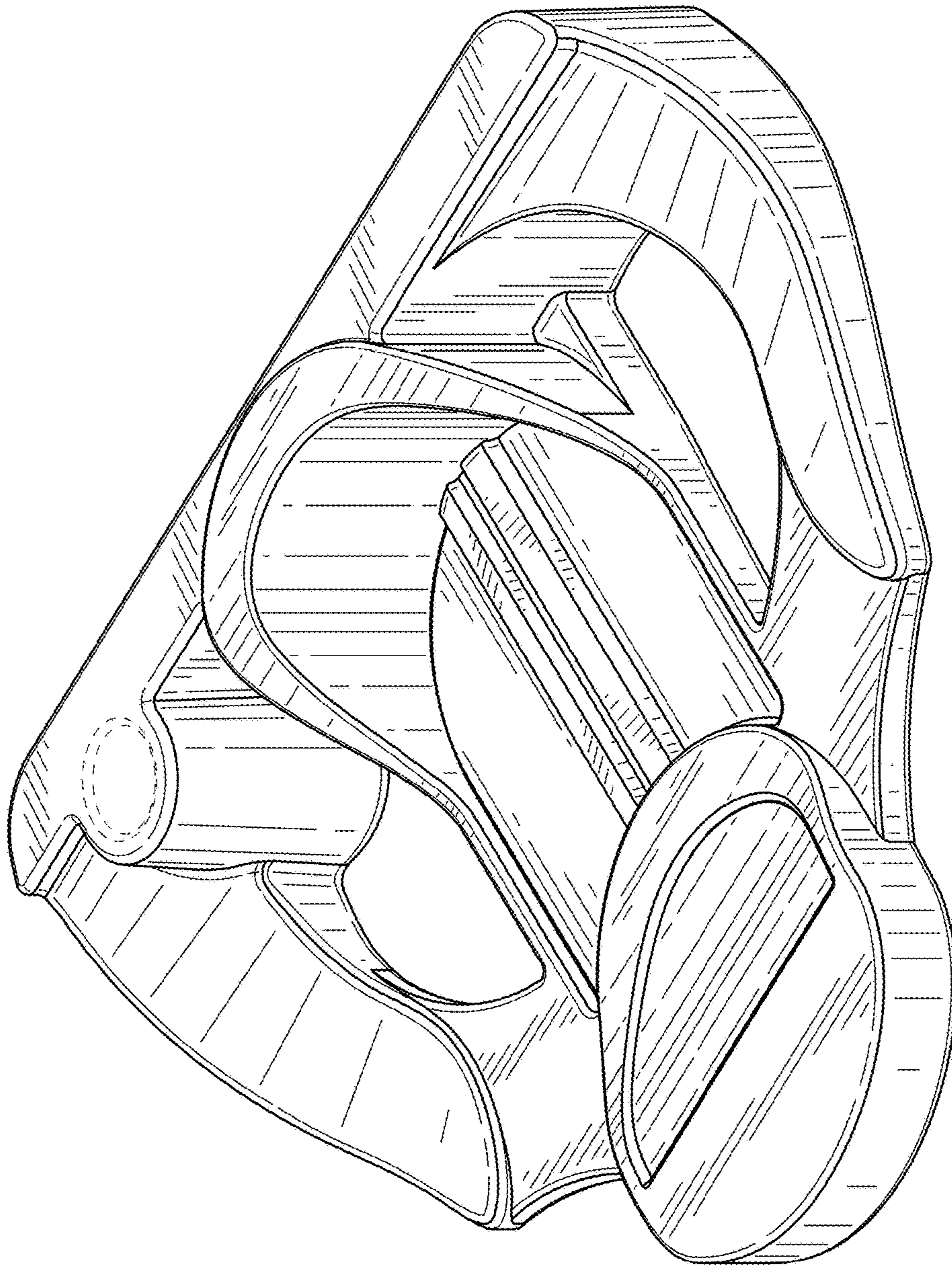


FIG. 9

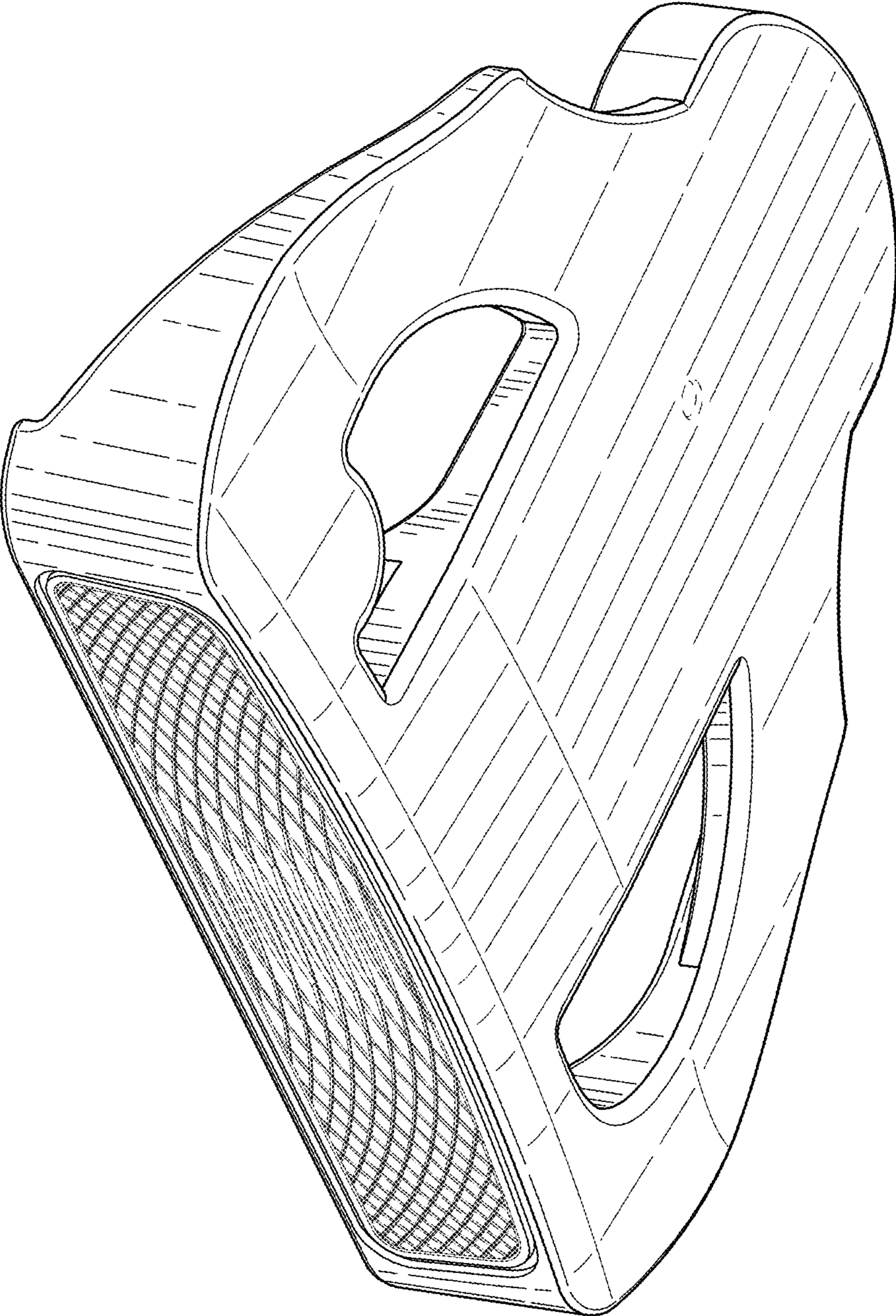


FIG. 10

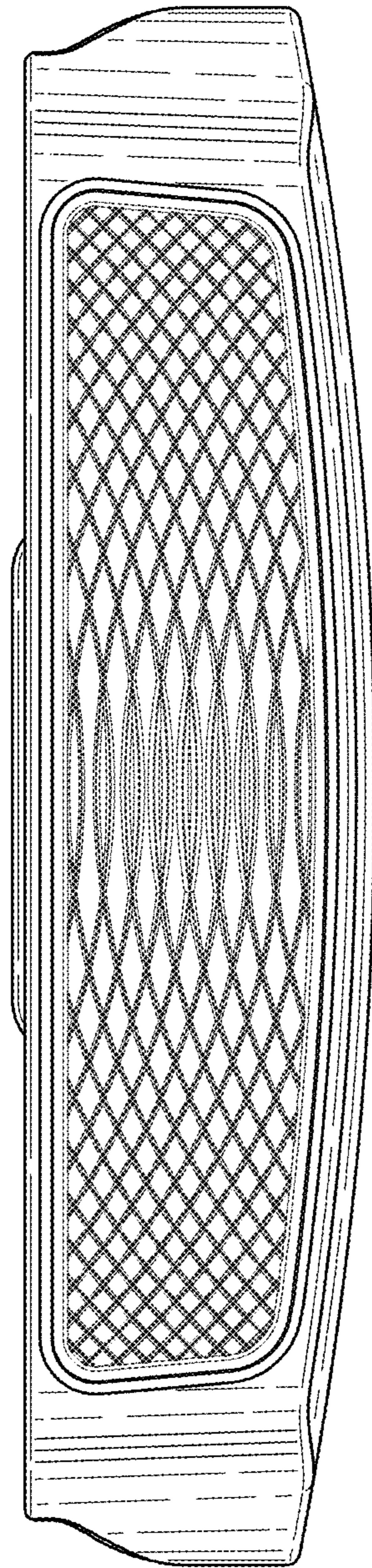


FIG. 11

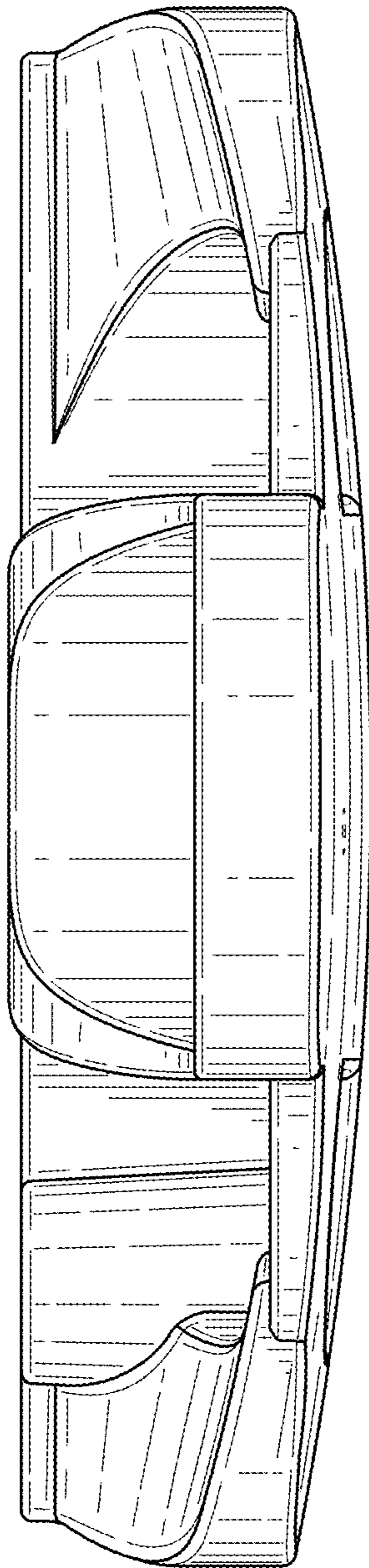


FIG. 12

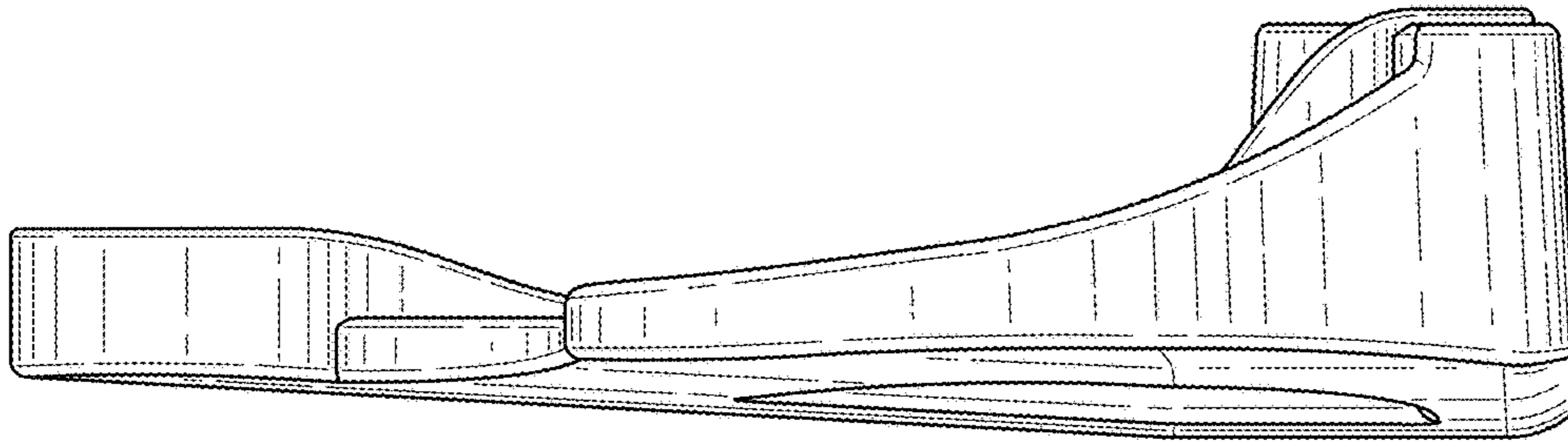


FIG. 13

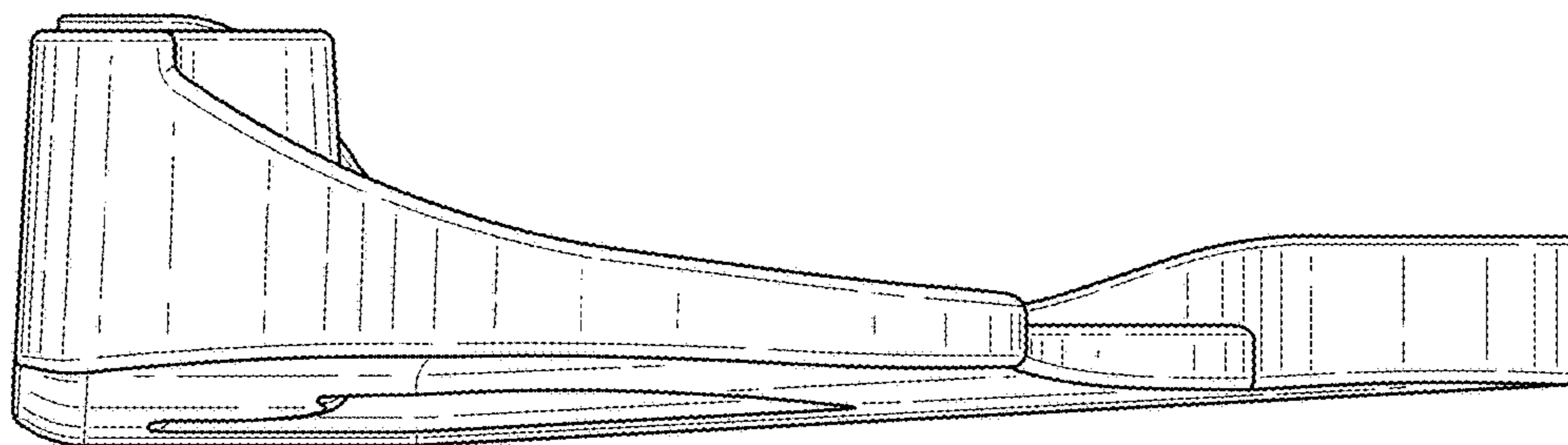


FIG. 14

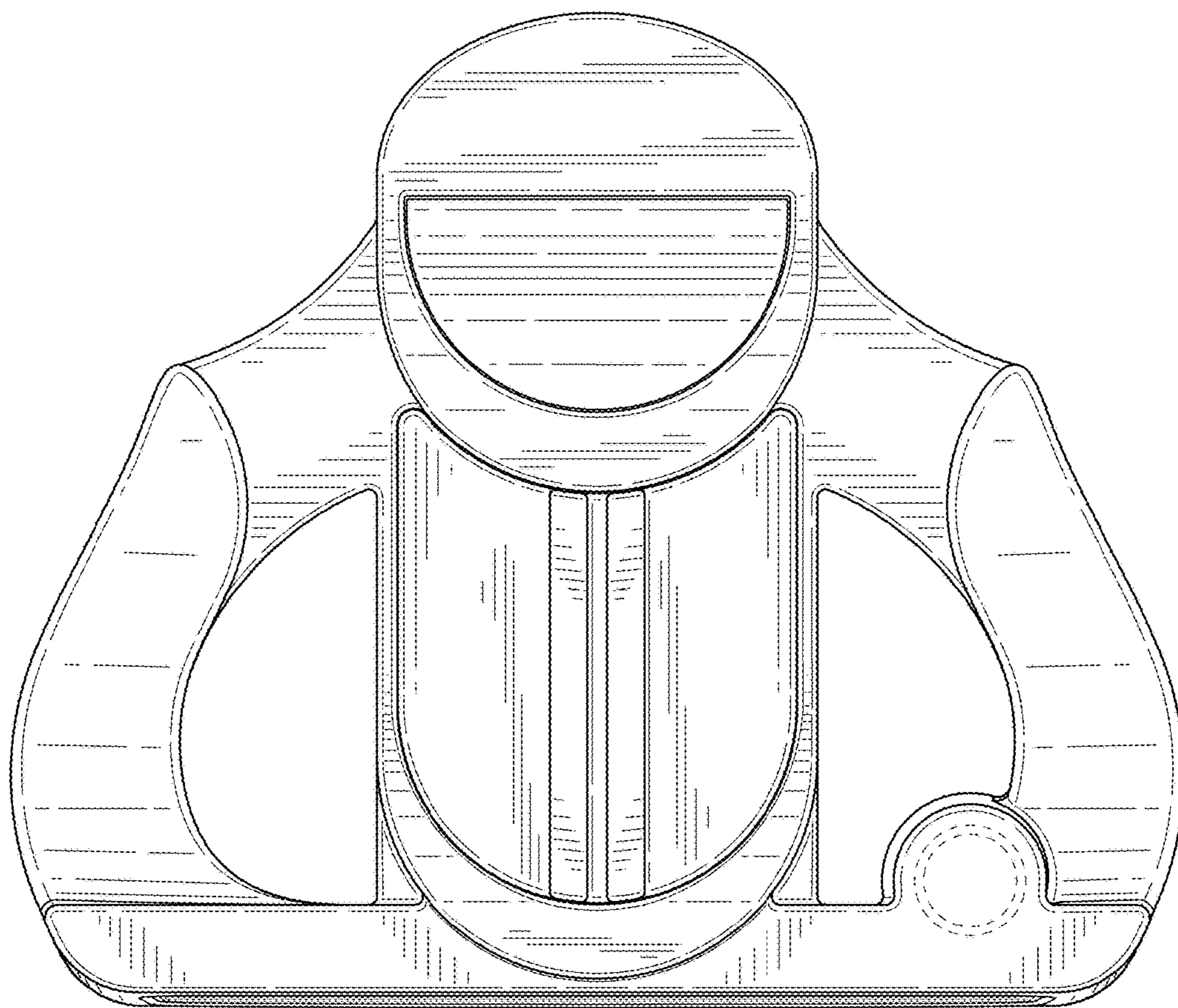


FIG. 15

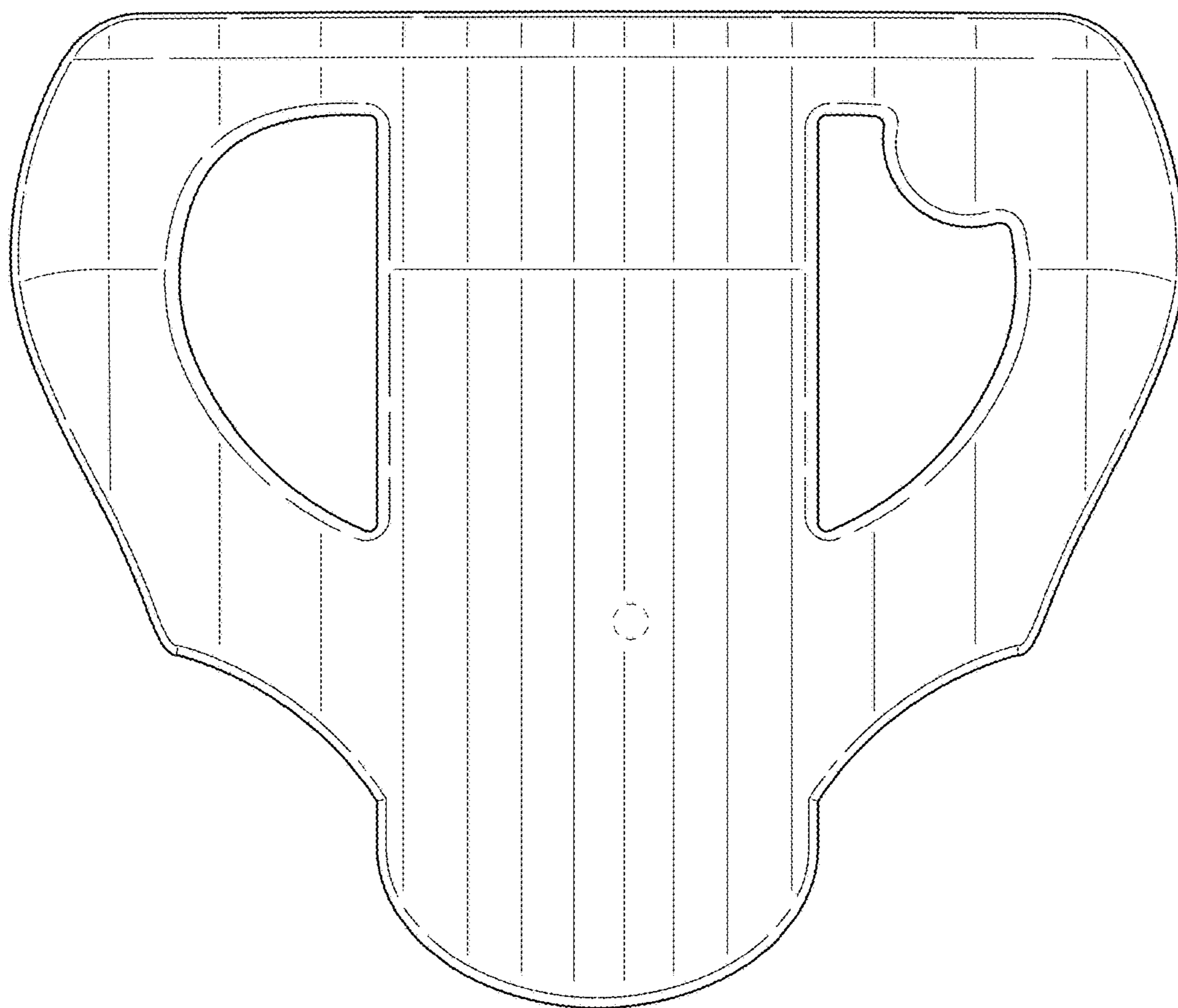


FIG. 16