



US00D816173S

(12) **United States Design Patent** (10) **Patent No.:** **US D816,173 S**
Jackson (45) **Date of Patent:** **** Apr. 24, 2018**

(54) **COLLAPSIBLE EXERCISE FRAME** 3,118,668 A * 1/1964 Callahan A63B 21/078
211/182
(71) Applicant: **Porta-Gym Limited**, Covent Garden, London (GB) D200,322 S * 2/1965 Spackman D21/691
4,199,139 A * 4/1980 Mahnke A63B 21/06
482/101
(72) Inventor: **Lee Jackson**, Orpington (GB) D428,949 S * 8/2000 Simonson D21/675
D487,124 S * 2/2004 Toniolo D21/691
D493,854 S * 8/2004 Grider D21/675
(73) Assignee: **PORTA-GYM LIMITED**, Covent Garden, London (GB) D513,289 S * 12/2005 Panatta D21/676
D514,174 S * 1/2006 Germantown D21/675
D574,449 S * 8/2008 Webber D21/675
7,670,269 B2 * 3/2010 Webber A63B 21/159
434/29
(**) Term: **15 Years** 7,722,509 B2 * 5/2010 Eder A63B 21/156
482/101
(21) Appl. No.: **29/557,740**
(22) Filed: **Mar. 11, 2016** (Continued)

(30) **Foreign Application Priority Data**
Sep. 11, 2015 (EC) 002771295-0001
(51) **LOC (11) Cl.** **21-02**
(52) **U.S. Cl.**
USPC **D21/691**
(58) **Field of Classification Search**
USPC ... 482/99, 111, 114, 121, 133, 94, 142, 130,
482/112, 100, 138, 102, 101, 1, 5, 8, 9,
482/901, 95, 96, 51, 92, 93, 136, 104,
482/108, 97, 140, 69, 107, 98, 139, 4, 6,
482/145, 41; 434/29; D21/673, 691,
D21/694, 682, 686, 675, 676, 826, 823,
D21/699, 797
CPC A63B 24/0062; A63B 2210/50; A63B
2230/06; A63B 21/4035; A63B 21/154
See application file for complete search history.

(56) **References Cited**
U.S. PATENT DOCUMENTS
277,399 A * 5/1883 Worthington A63B 3/00
482/41
1,223,717 A * 4/1917 Mintz A45F 3/24
5/130
1,495,536 A * 5/1924 Smith A63B 1/00
482/38

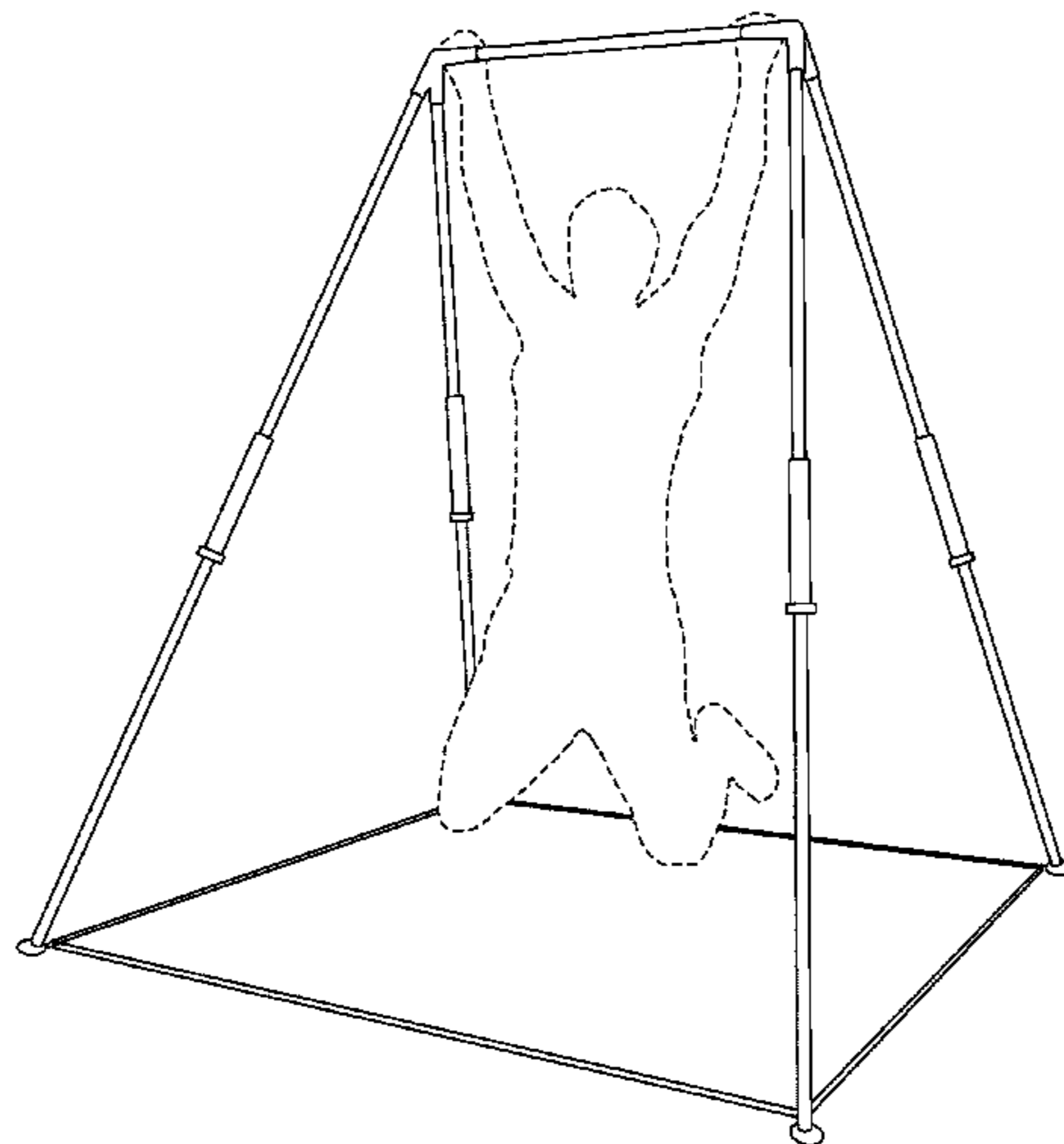
OTHER PUBLICATIONS
Porta-Gym by Porta-Gym dated no date given. Found online [Aug. 16, 2017] <https://porta-gym.co.uk/>.
(Continued)

Primary Examiner — Robert M. Spear
Assistant Examiner — Ryan Harvey
(74) *Attorney, Agent, or Firm* — Taft Stettinius & Hollister LLP

(57) **CLAIM**
The ornamental design for a collapsible exercise frame, as shown and described.

DESCRIPTION
FIG. 1 is a front, right perspective view of a collapsible exercise frame showing my new design; FIG. 2 is a front perspective view thereof; FIG. 3 is a side perspective view thereof; FIG. 4 is a top plan view thereof; and, FIG. 5 is a bottom plan view thereof. The broken lines form no part of the claimed design.

1 Claim, 5 Drawing Sheets



(56)

References Cited

U.S. PATENT DOCUMENTS

D617,400 S * 6/2010 Hetzel D21/691
7,794,371 B2 * 9/2010 Webber A63B 21/0615
482/95
D667,904 S * 9/2012 DeFrancisci D21/691
D698,402 S * 1/2014 Saletta D21/686
D752,161 S * 3/2016 Wartenbergh D21/691
2002/0025888 A1 * 2/2002 Germanton A63B 21/063
482/1
2012/0329626 A1 * 12/2012 Meredith A63B 21/062
482/142
2013/0109544 A1 * 5/2013 Reyes A63B 23/03525
482/99
2013/0157816 A1 * 6/2013 Lyszczarz A63B 21/156
482/99
2014/0296040 A1 * 10/2014 Mobley A63B 21/078
482/104
2017/0072260 A1 * 3/2017 Jackson A63B 23/1218
2017/0080276 A1 * 3/2017 Lopes
Rodrigues A63B 21/4035

OTHER PUBLICATIONS

Trapeze by Yogabody dated Jun. 30, 2017. Found online [Aug. 16, 2017] <https://www.amazon.com/dp/B01M4RZ3XN?psc=1>.*

KT by Khanh Trinh dated Jul. 10, 2017. Found online [Aug. 16, 2017] https://www.amazon.com/Portable-Exercise-KT1-1518-Adjustable-Equipment/dp/B01F60QZK2/ref=pd_sbs_200_2?_encoding=UTF8&pd_rd_i=B01F60QZK2&pd_rd_r=AYQFZ3PPFSJ6E2X98A&pd_rd_w=ILQ37&pd_rd_wg=u1405&psc=1&refRID=AYQFZ3PPFSJ6E2X98A.*

* cited by examiner

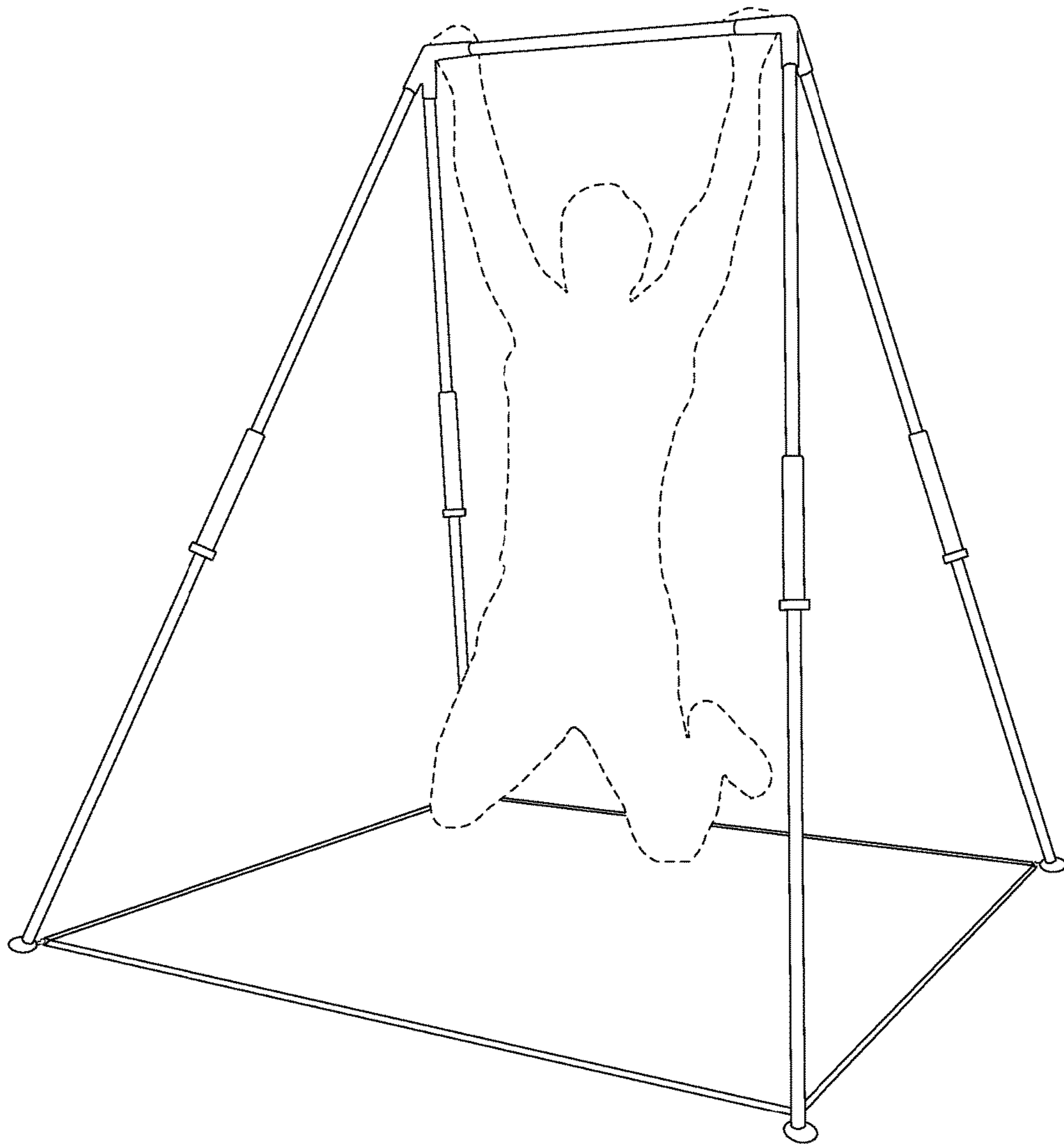


FIG. 1

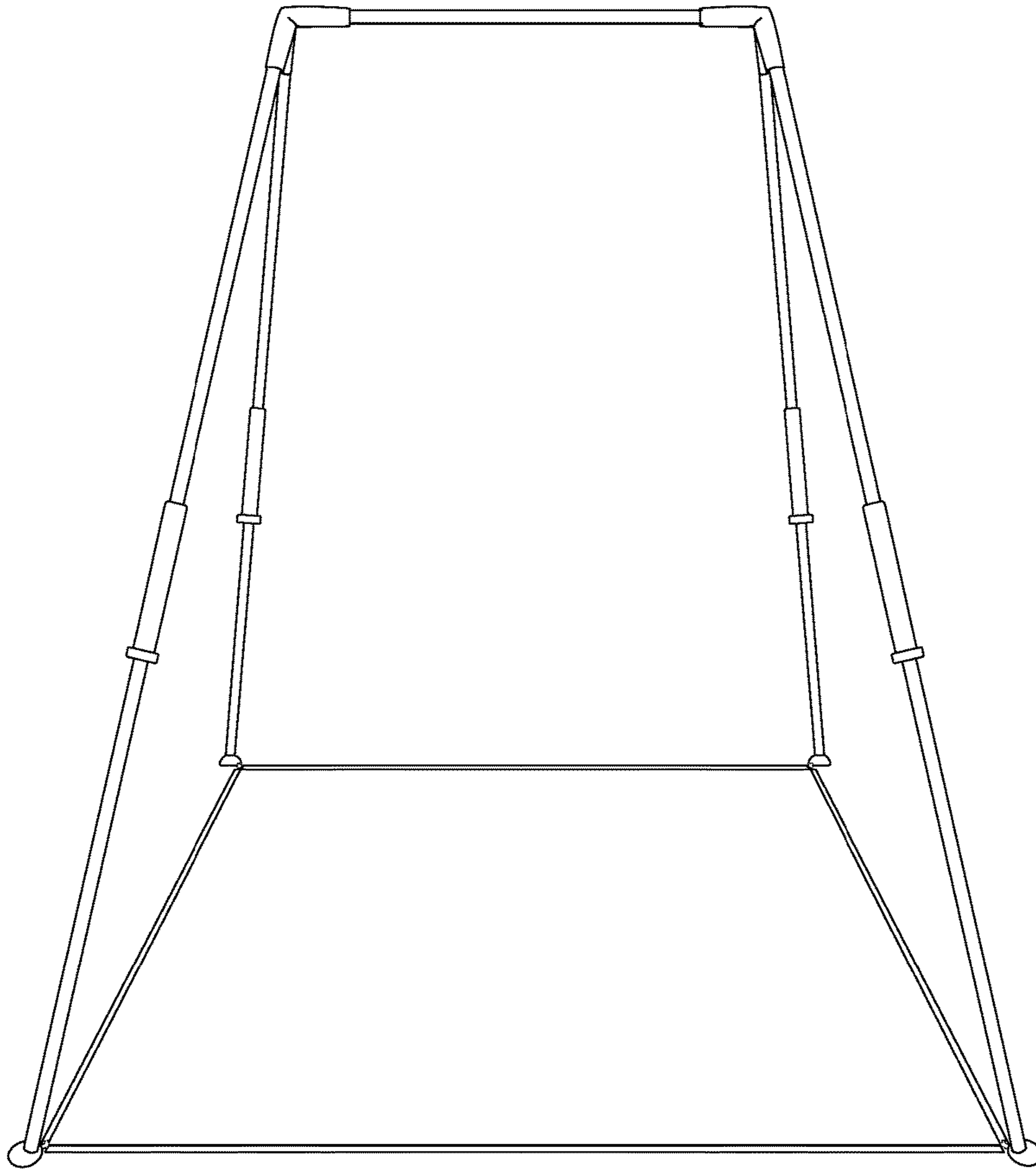


FIG. 2

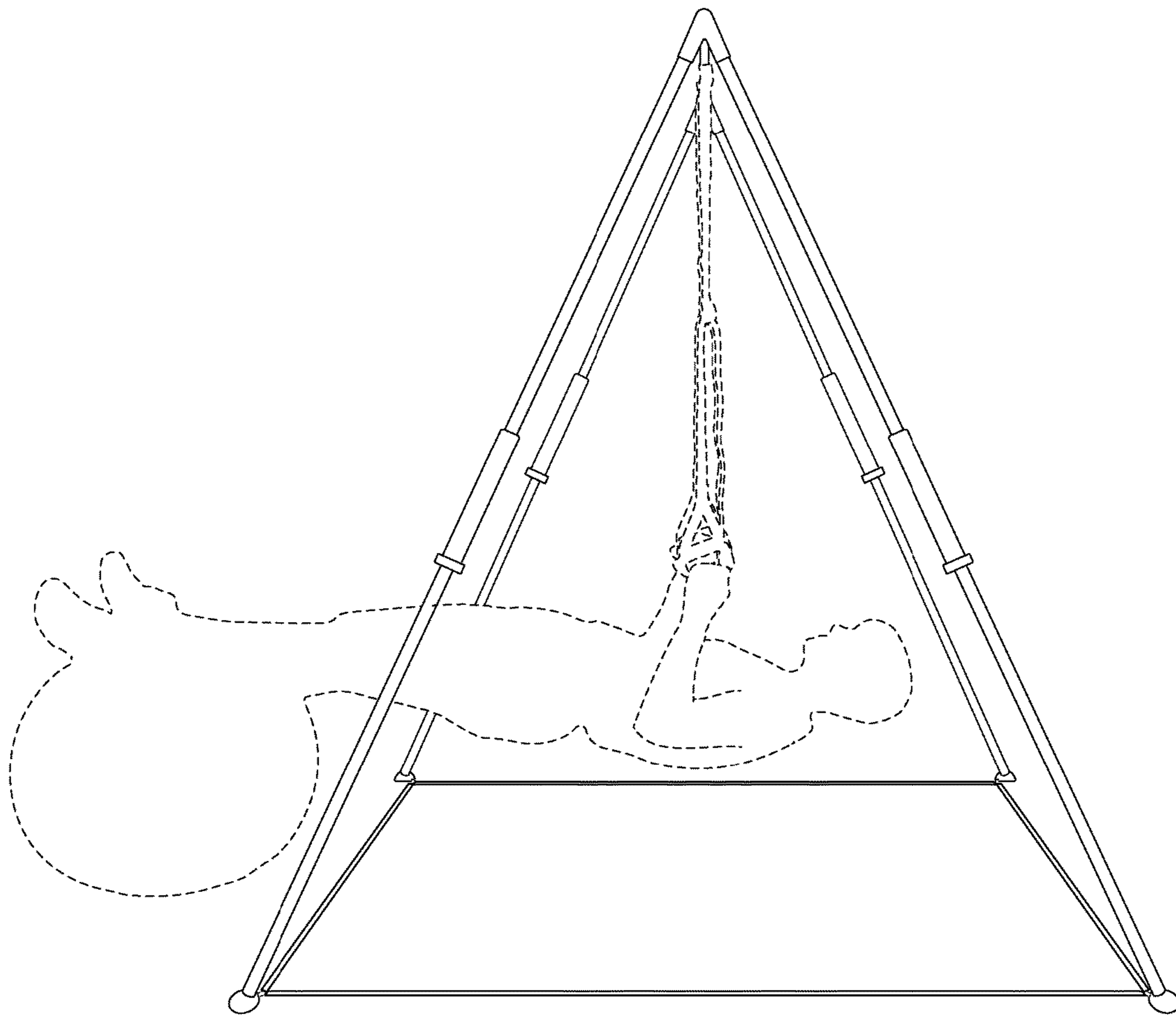


FIG. 3

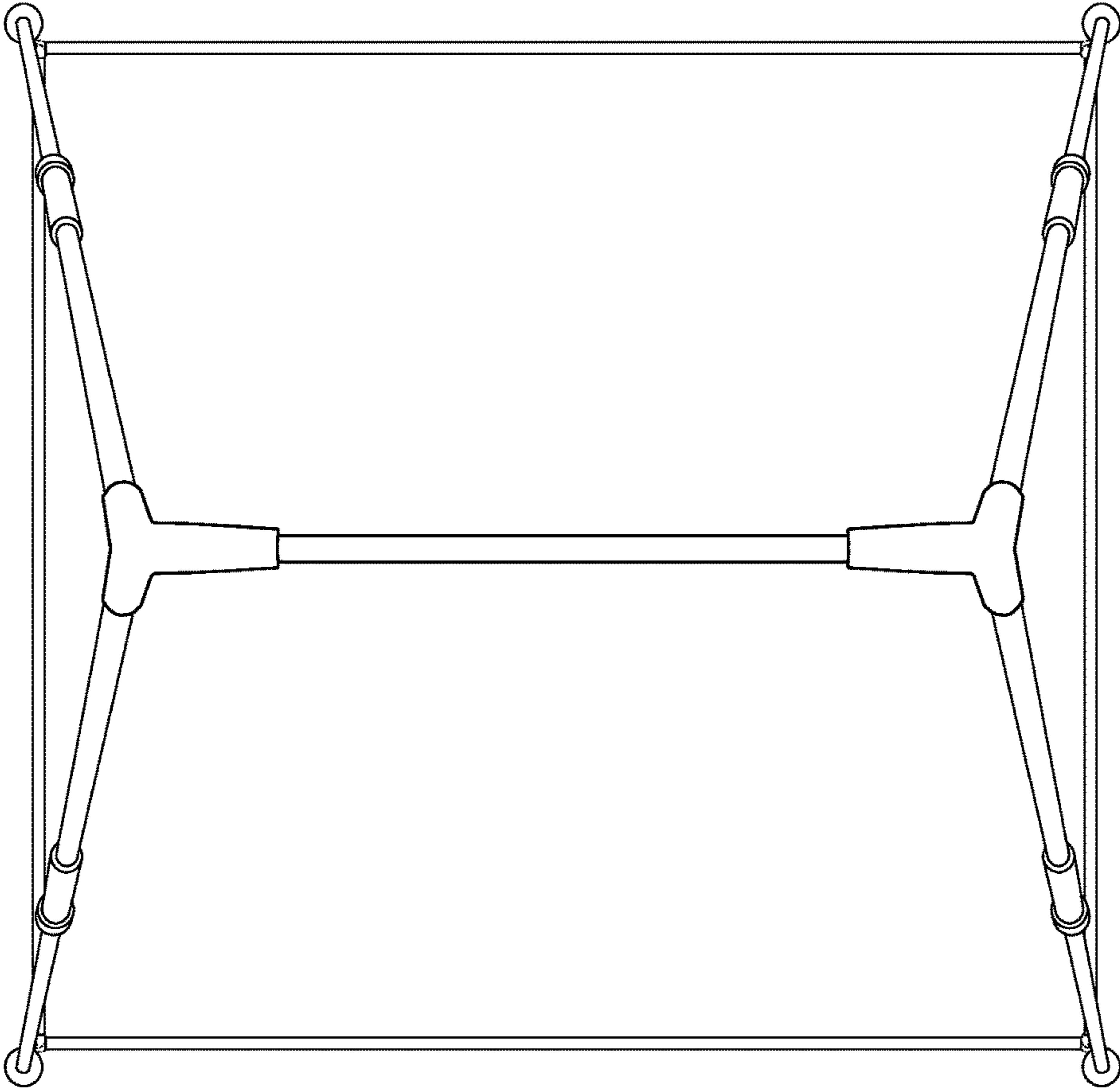


FIG. 4

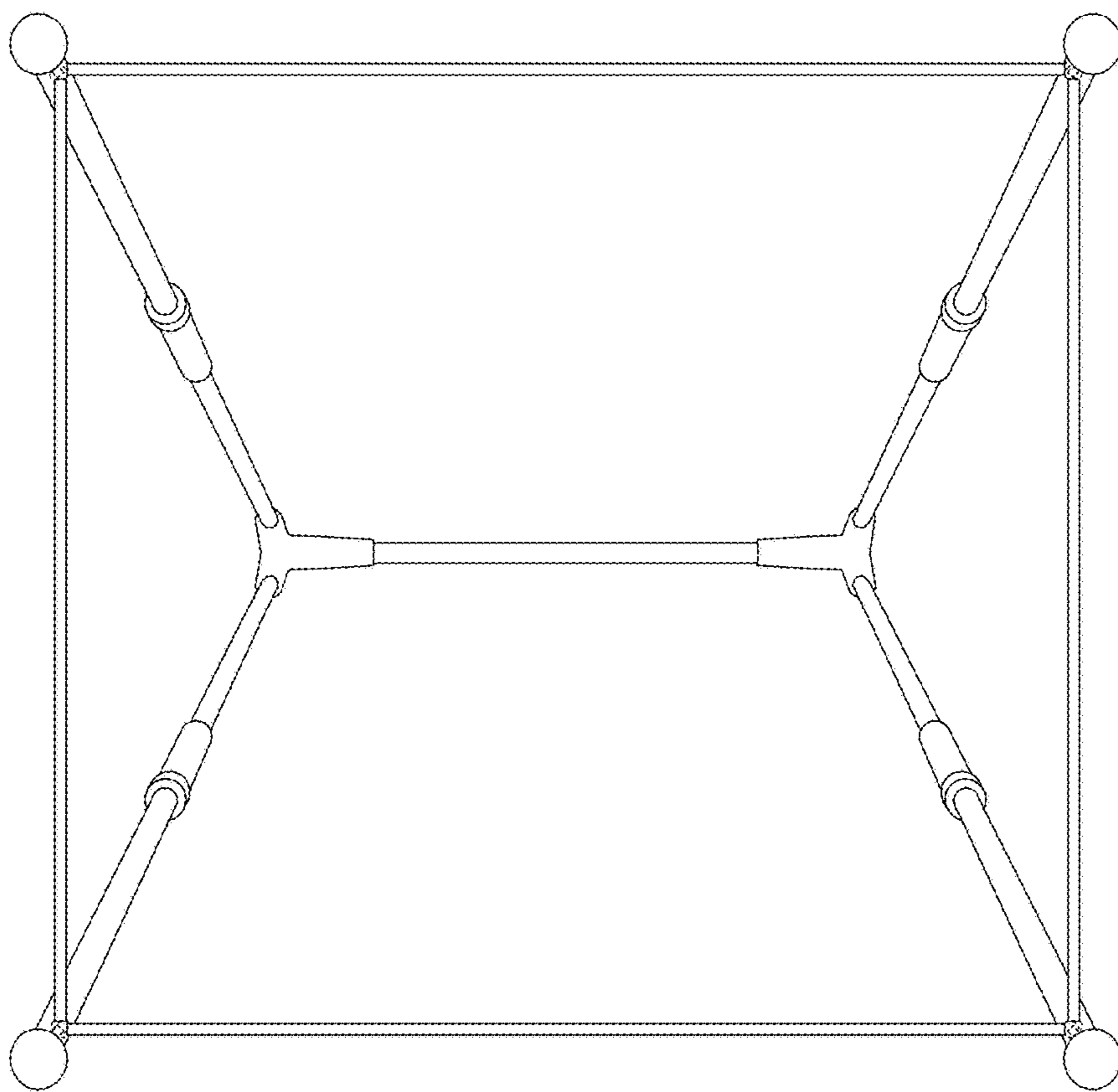


FIG. 5