



US00D816169S

(12) **United States Design Patent**
Trujillo

(10) **Patent No.:** **US D816,169 S**
(45) **Date of Patent:** **** Apr. 24, 2018**

(54) **ACTUATOR OF A THUMBSTICK
CONTROLLER WITH TRANSLUCENT OR
TRANSPARENT RING**

(71) Applicant: **APEM, Inc.**, Haverhill, MA (US)

(72) Inventor: **Greg Trujillo**, San Diego, CA (US)

(73) Assignee: **APEM, INC.**, Haverhill, MA (US)

(**) Term: **15 Years**

(21) Appl. No.: **29/587,278**

(22) Filed: **Dec. 12, 2016**

(51) **LOC (11) Cl.** **21-01**

(52) **U.S. Cl.**
USPC **D21/333; D14/414**

(58) **Field of Classification Search**
USPC D14/399-401, 412-418; 273/148 B;
463/1, 29-39, 46, 47; 345/156-161, 905;
D21/333, 328
CPC .. A63F 13/02; A63F 9/24; A63F 13/12; A63F
9/00; A63F 11/00; A63F 71/00; G06F
3/02; G06F 3/033; G09G 5/00
See application file for complete search history.

(56) **References Cited**

U.S. PATENT DOCUMENTS

4,687,300 A * 8/1987 Kubo G02F 1/13452
345/34
4,896,043 A * 1/1990 Arakawa G21K 4/00
250/484.4
5,468,924 A * 11/1995 Naitou G05G 9/04785
200/6 A

5,536,911 A * 7/1996 Madill H01H 25/041
200/5 A
D423,894 S * 5/2000 Schmithorst D8/57
D464,654 S * 10/2002 Tews D14/414
6,771,992 B1 8/2004 Tomura et al.
D526,757 S * 8/2006 Bergman B66C 13/56
D14/415
D732,047 S 6/2015 Brouillette et al.
D734,138 S 7/2015 Hurrie
D762,782 S * 8/2016 Walker, II D14/401
D764,597 S * 8/2016 Kujawski D14/401
D774,143 S * 12/2016 Kujawski D14/400
D782,759 S * 3/2017 Mathiassen D32/21
9,678,577 B1 * 6/2017 Rutledge G06F 3/02

* cited by examiner

Primary Examiner — Prabhakar Deshmukh

(74) *Attorney, Agent, or Firm* — Pillsbury Winthrop Shaw
Pittman LLP

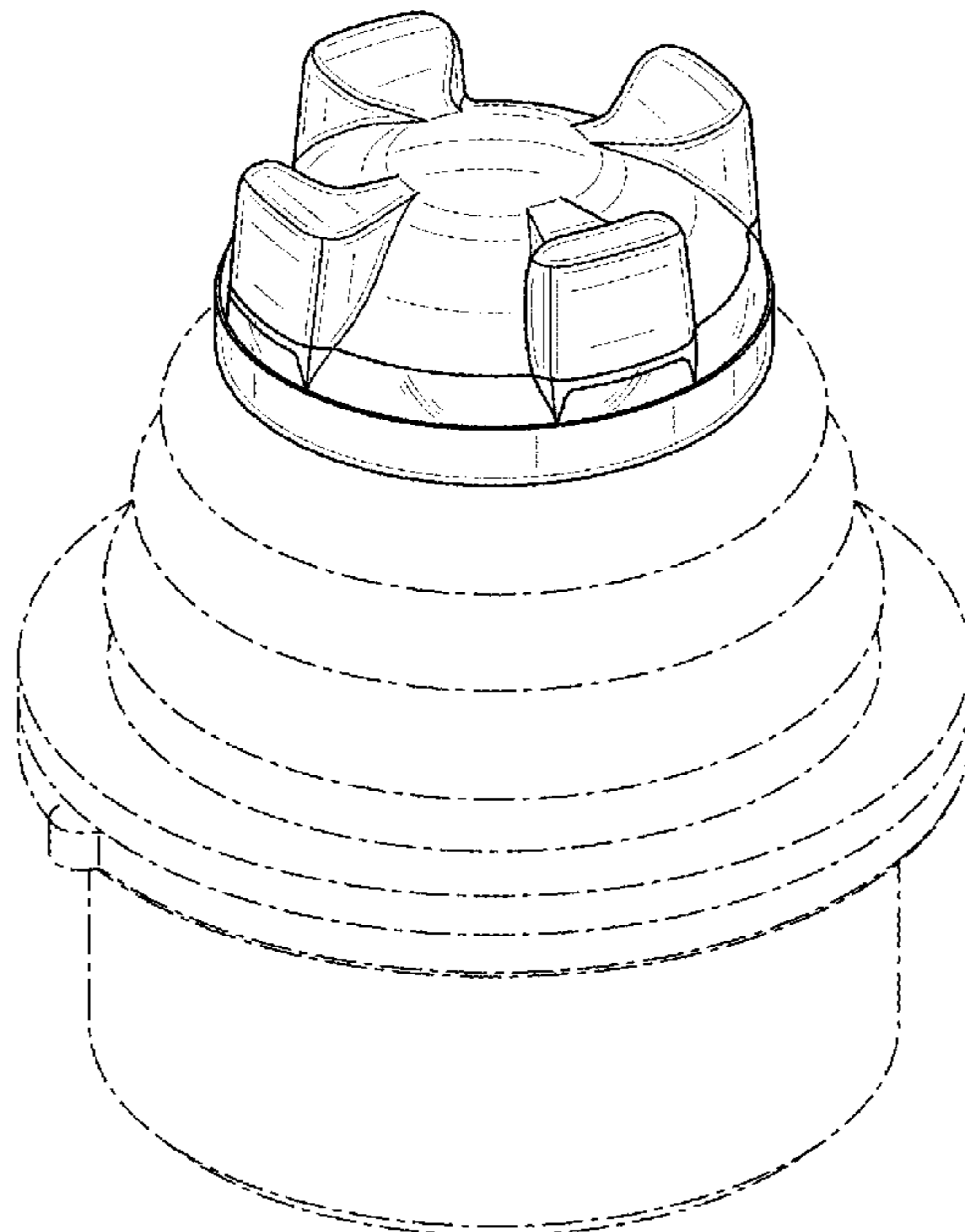
(57) **CLAIM**

The ornamental design for an actuator of a thumbstick controller with translucent or transparent ring, as shown and described.

DESCRIPTION

FIG. 1 is a perspective view of an actuator of a thumbstick controller with translucent or transparent ring showing my new design; FIG. 2 is a typical side elevational view thereof; and, FIG. 3 is a top plan view thereof. The broken lines represent the portions of the thumbstick controller and form no part of the claimed design.

1 Claim, 3 Drawing Sheets



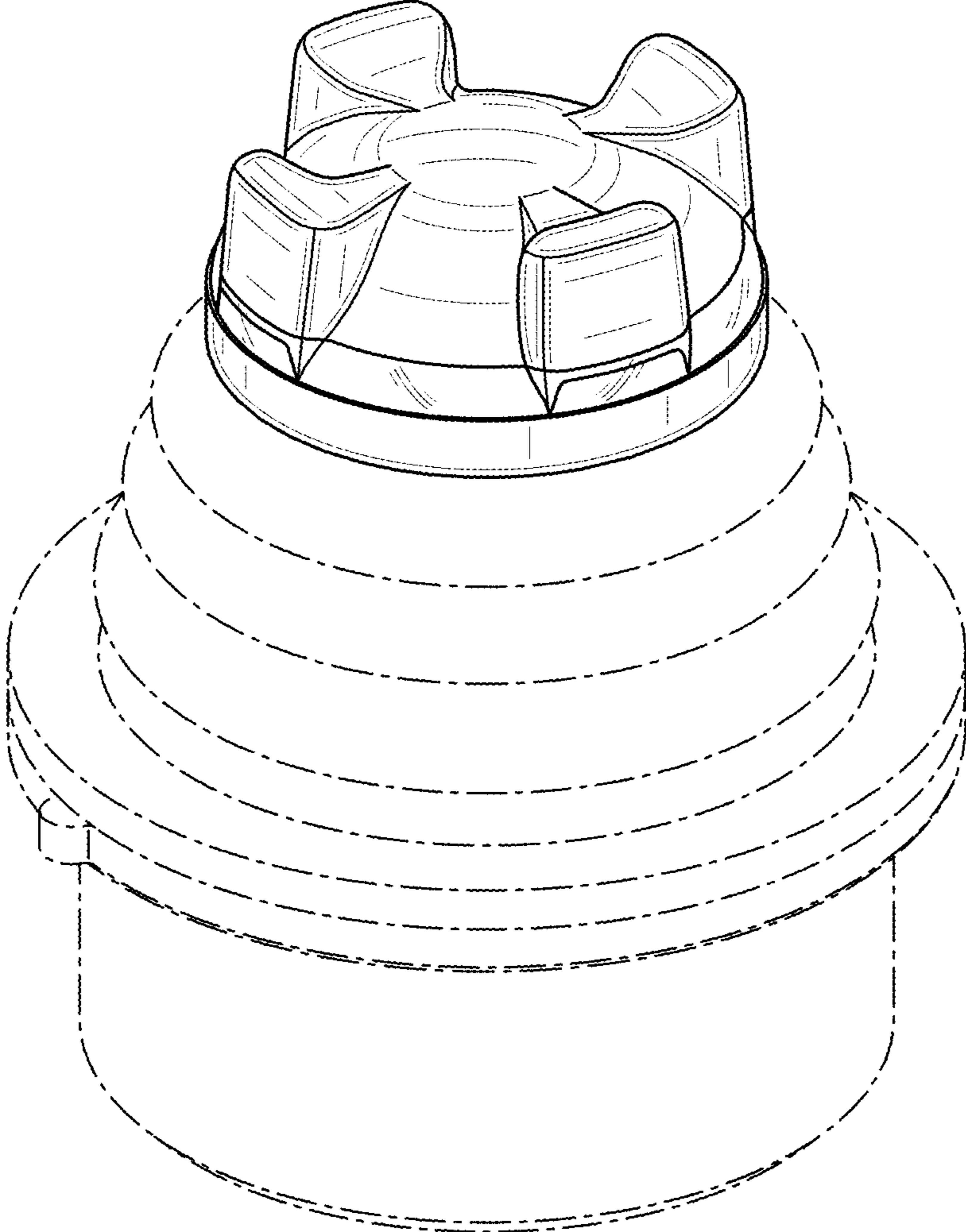


FIG. 1

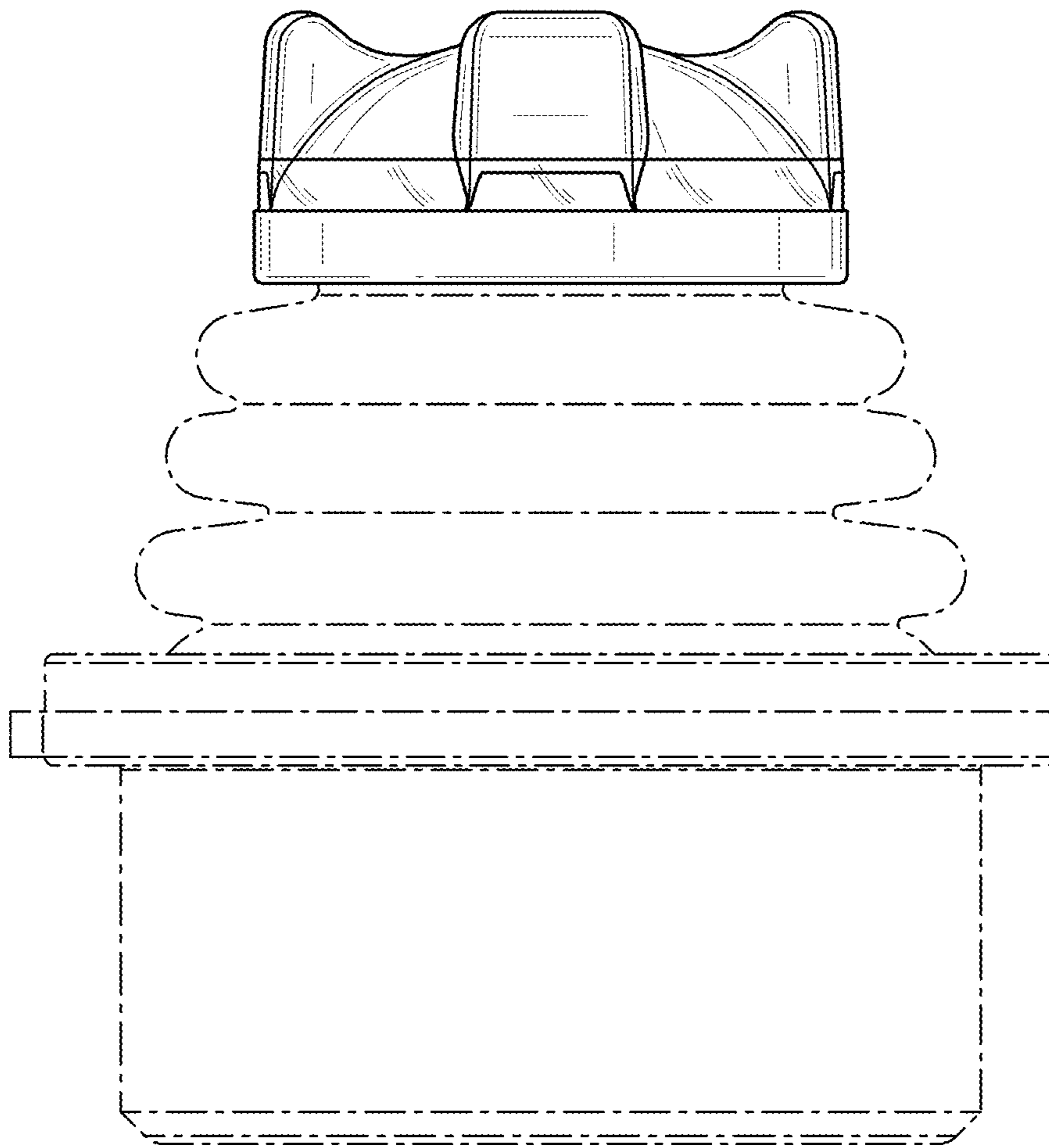


FIG. 2

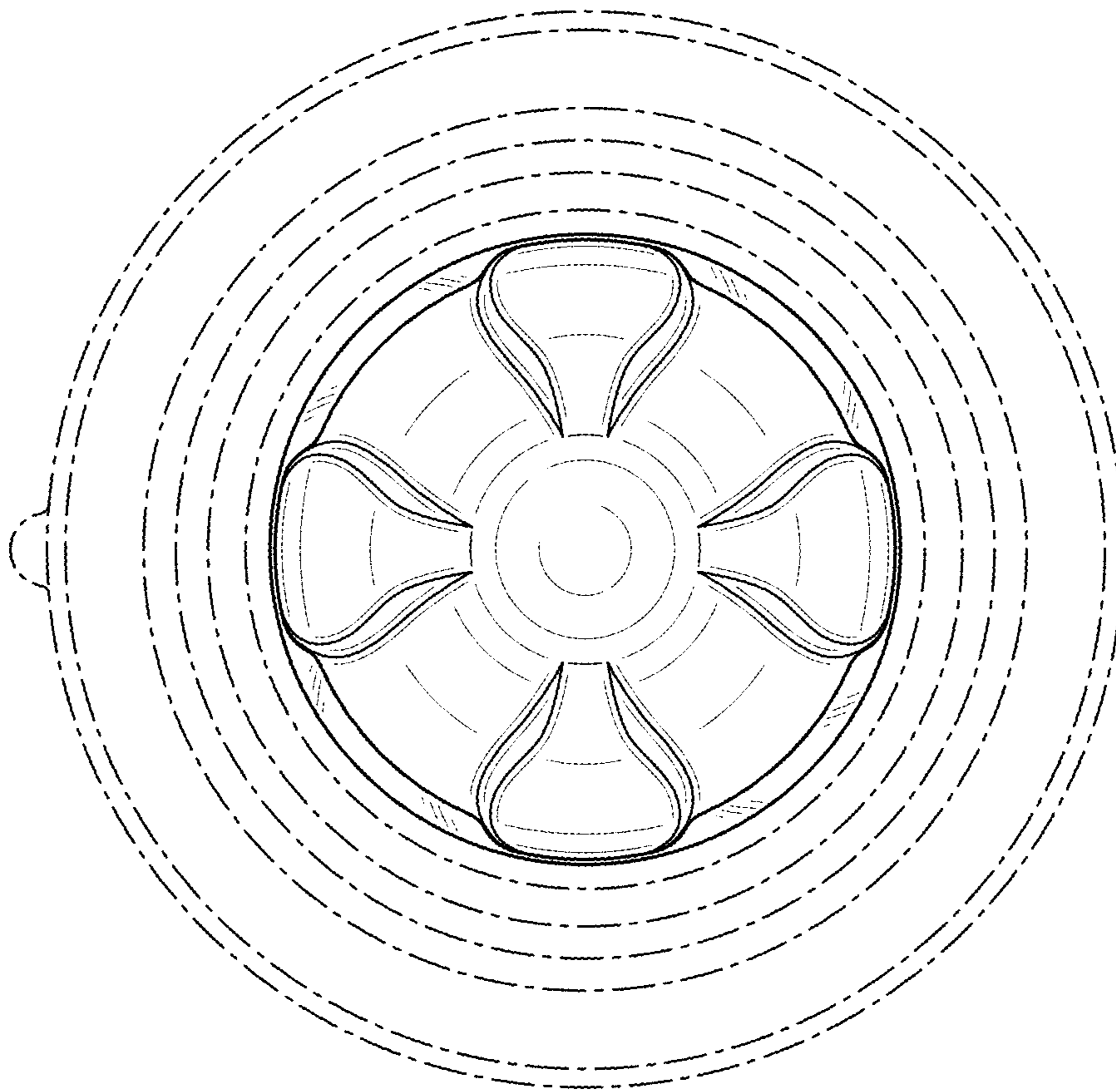


FIG. 3