



US00D816166S

(12) **United States Design Patent**  
**Nakata**

(10) **Patent No.:** **US D816,166 S**

(45) **Date of Patent:** **\*\* Apr. 24, 2018**

(54) **BALLPOINT PEN**

(71) Applicant: **KOTOBUKI & CO., LTD.**,  
Kawagoe-shi (JP)

(72) Inventor: **Takaaki Nakata**, Kawagoe (JP)

(73) Assignee: **KOTOBUKI & CO., LTD.**,  
Saitama-Ken (JP)

(\*\*) Term: **15 Years**

(21) Appl. No.: **29/585,262**

(22) Filed: **Nov. 22, 2016**

(51) **LOC (11) Cl.** ..... **19-06**

(52) **U.S. Cl.**  
USPC ..... **D19/172; D19/918**

(58) **Field of Classification Search**  
USPC ..... D14/411; D19/115-204; D28/7, 76, 88  
CPC ... B43K 7/12; B43K 8/04; B43K 8/06; B43K  
19/00; B43K 19/02; B43K 19/14; B43K  
21/006; B43K 21/06; B43K 23/06; B43K  
24/08

See application file for complete search history.

(56) **References Cited**

**U.S. PATENT DOCUMENTS**

D535,695 S *	1/2007	Chen	.....	D19/172
D607,932 S *	1/2010	Zhang	.....	D19/172
D619,169 S *	7/2010	Kent	.....	D19/172
D628,643 S *	12/2010	Li	.....	D19/174
D641,408 S *	7/2011	Zhang	.....	D19/172
D651,244 S *	12/2011	Yuan	.....	D19/172
D651,245 S *	12/2011	Yuan	.....	D19/172
D656,193 S *	3/2012	Yuan	.....	D19/172

D662,984 S *	7/2012	Yan	.....	D19/172
D665,025 S *	8/2012	Li	.....	D19/172
D667,882 S *	9/2012	Uchiyama	.....	D19/172
D672,813 S *	12/2012	Zhang	.....	D19/172
D692,483 S *	10/2013	Laemle	.....	D19/172
D692,484 S *	10/2013	Laemle	.....	D19/172
D762,775 S *	8/2016	Zhang	.....	D19/172
D763,354 S *	8/2016	Zhang	.....	D19/172
D763,961 S *	8/2016	Zhang	.....	D19/172
D777,257 S *	1/2017	Fleming	.....	D19/196
D799,597 S *	10/2017	Fleming	.....	D19/199

\* cited by examiner

*Primary Examiner* — Elizabeth Albert

(74) *Attorney, Agent, or Firm* — Frost Brown Todd LLC

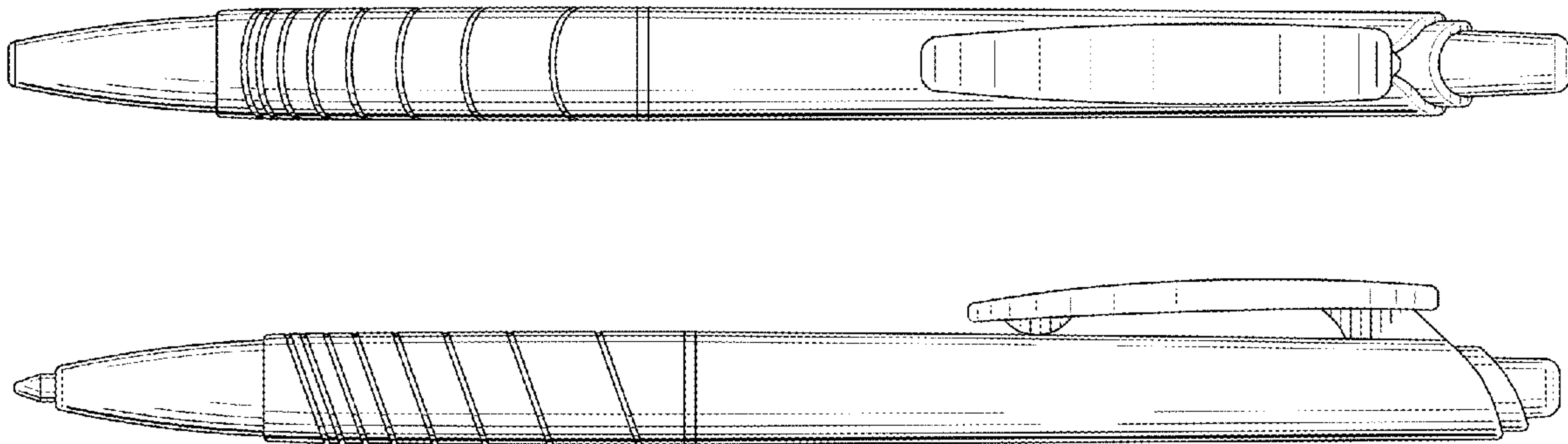
(57) **CLAIM**

The ornamental design for a ballpoint pen, as shown and described.

**DESCRIPTION**

FIG. 1 is a top perspective view of a ballpoint pen showing my new design;  
 FIG. 2 is a side elevational view thereof, the other side thereof being a mirror image of the side shown in FIG. 2;  
 FIG. 3 is a front end view thereof;  
 FIG. 4 is a rear end view thereof;  
 FIG. 5 is a top plan view thereof;  
 FIG. 6 is a bottom plan view thereof;  
 FIG. 7 is an enlarged view of a portion thereof, the portion being indicated by the broken line circle in FIG. 2; and,  
 FIG. 8 is a side elevational view thereof in an alternative use position, with a button actuated and a pen tip correspondingly moved to a distal position.

**1 Claim, 8 Drawing Sheets**



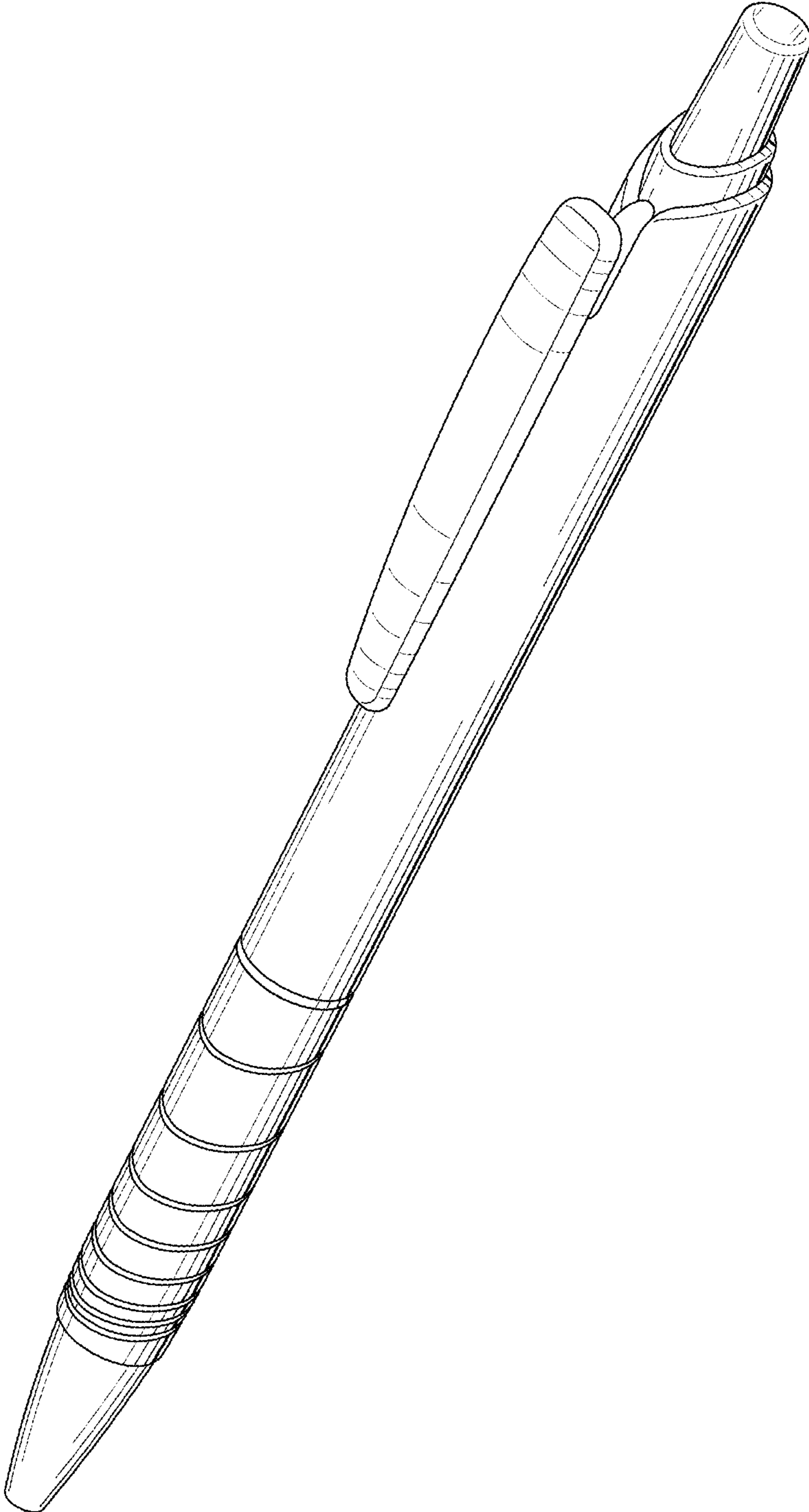


Fig. 1

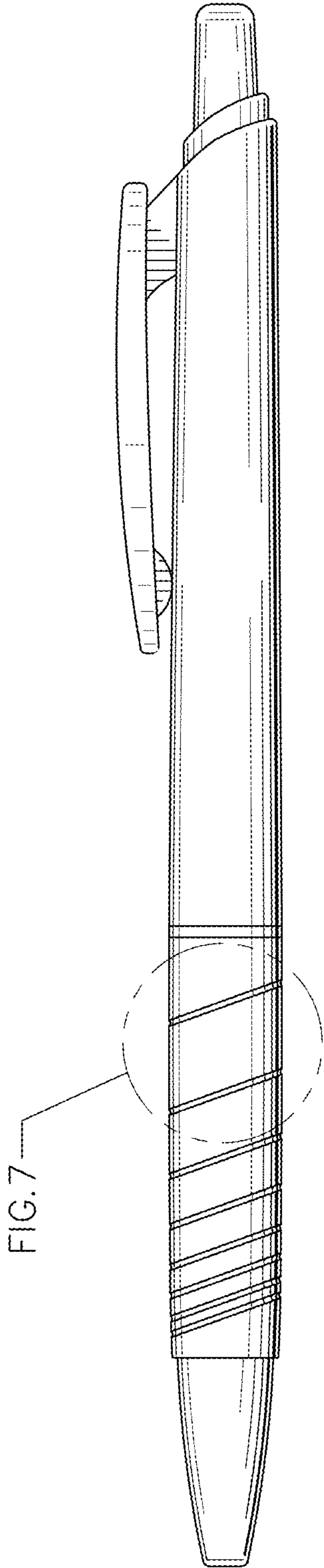


Fig.2

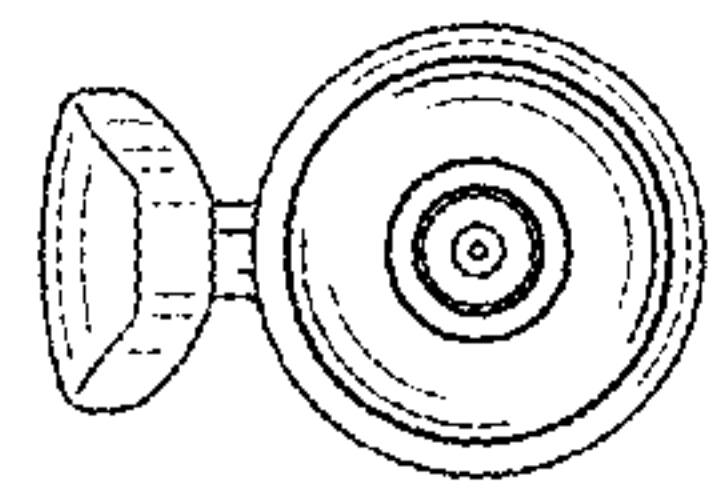


Fig. 3

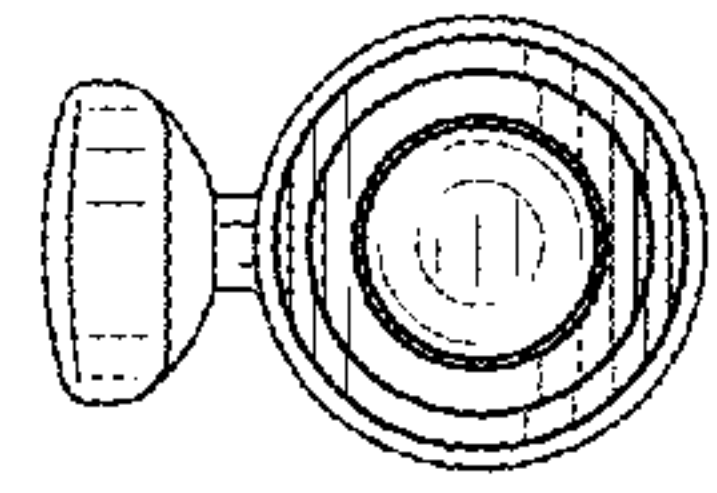


Fig. 4

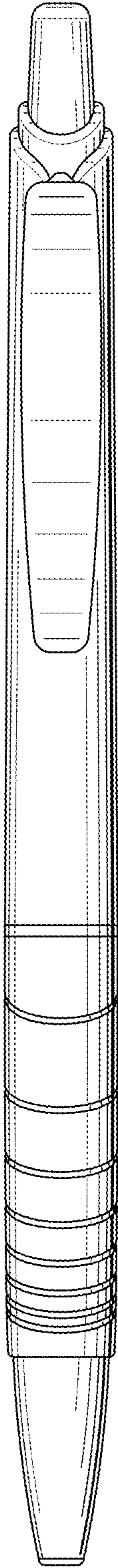


Fig. 5

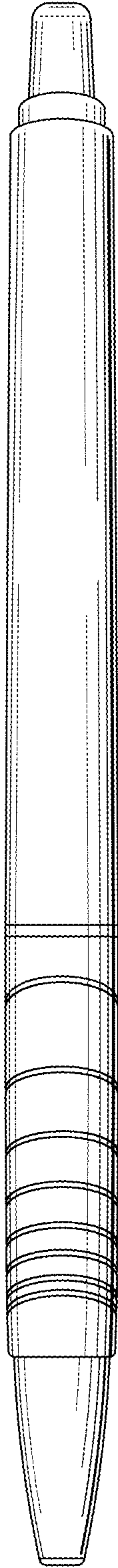


Fig. 6



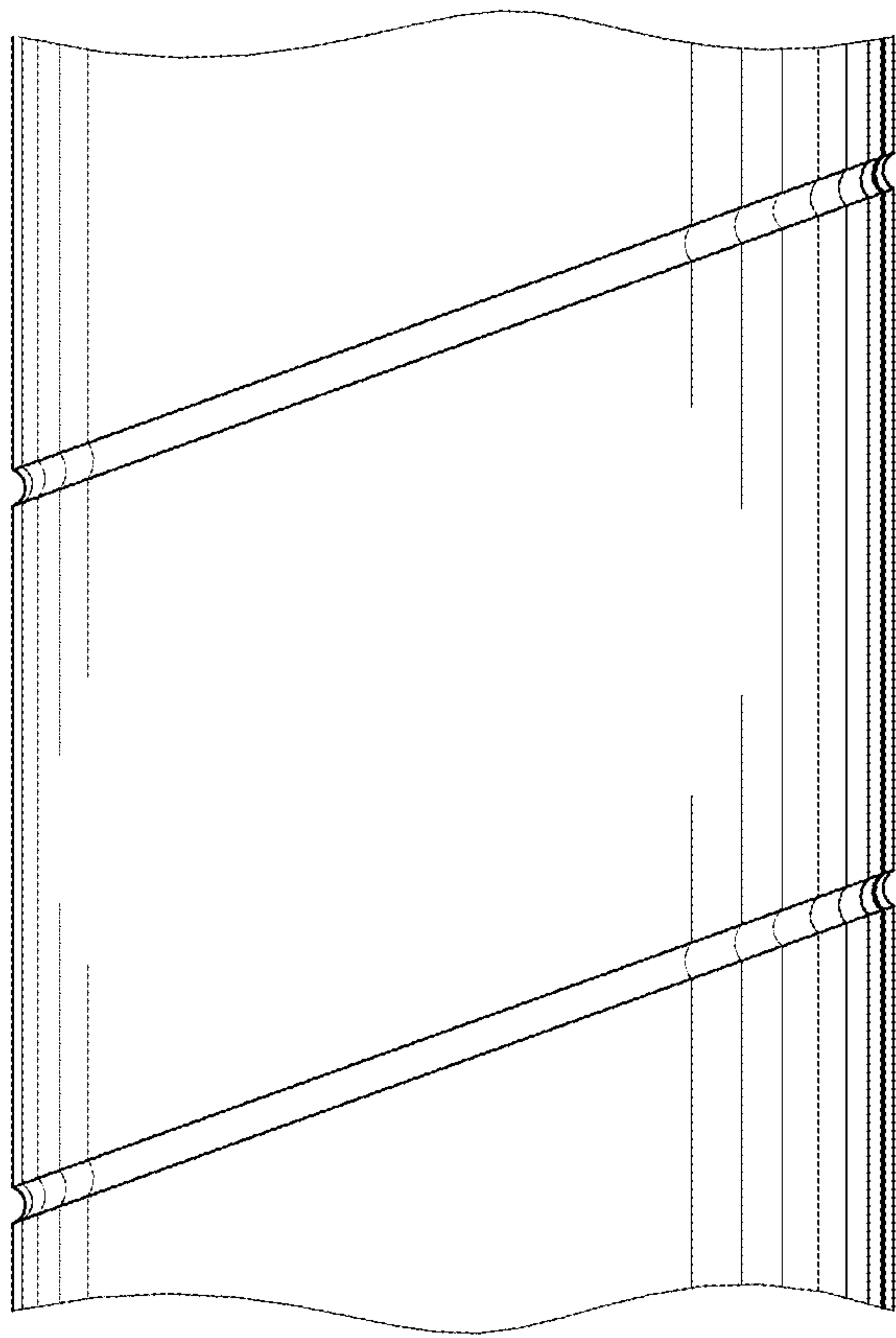


Fig. 7



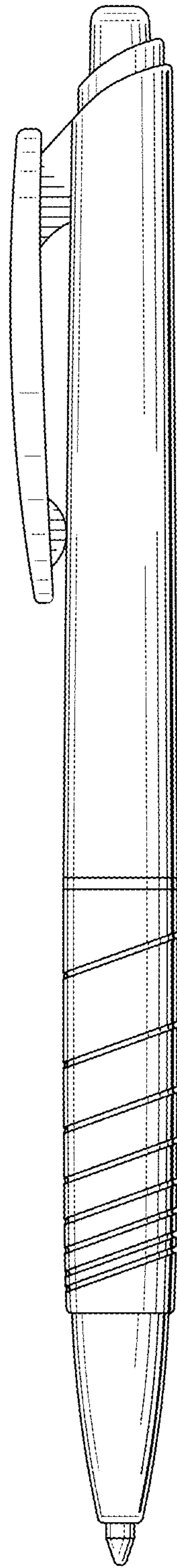


Fig. 8