



US00D816165S

(12) **United States Design Patent**
Haug

(10) **Patent No.:** **US D816,165 S**
(45) **Date of Patent:** **** Apr. 24, 2018**

(54) **WRITING INSTRUMENT**

(71) Applicant: **C. Josef Lamy GmbH**, Heidelberg
(DE)

(72) Inventor: **Andreas Haug**, Stuttgart (DE)

(73) Assignee: **C. Josef Lamy GmbH**, Heidelberg
(DE)

(**) Term: **15 Years**

(21) Appl. No.: **29/576,908**

(22) Filed: **Sep. 8, 2016**

(30) **Foreign Application Priority Data**

Mar. 15, 2016 (WO) DM089899

(51) **LOC (11) Cl.** **19-06**

(52) **U.S. Cl.**
USPC **D19/163**

(58) **Field of Classification Search**

USPC D14/411, 431; D19/115-204, 108
CPC . B43K 7/00; B43K 7/005; B43K 7/12; B43K
8/04; B43K 8/06; B43K 19/00; B43K
19/02; B43K 19/14; B43K 21/006; B43K
21/06; B43K 23/06; B43K 24/08

See application file for complete search history.

(56) **References Cited**

U.S. PATENT DOCUMENTS

D76,181 S * 8/1928 Deli D19/163
D76,298 S * 9/1928 Grabelsky D10/31
1,728,473 A * 9/1929 Brosius A24F 13/14
131/186
D223,307 S * 4/1972 Nickolds D19/164
D323,529 S * 1/1992 Rousseau D19/168
D324,236 S * 2/1992 Gomez D19/169
D328,919 S * 8/1992 Bulgari D19/168
D329,460 S * 9/1992 Rousseau D19/168

D332,283 S * 1/1993 Voorhees D19/166
D354,309 S * 1/1995 Lin D10/31
D358,843 S * 5/1995 Hong D19/164
D386,525 S * 11/1997 Voegeli D19/170
D398,641 S * 9/1998 Hollington D19/169
D409,241 S * 5/1999 Melnick D19/164
D409,656 S * 5/1999 Melnick D19/164
D437,888 S * 2/2001 Briggel D19/169
D478,350 S * 8/2003 Furlong D19/164
D548,280 S * 8/2007 Shimizu D19/168
D621,446 S * 8/2010 Keda D19/163
D622,768 S * 8/2010 Tissier D19/164
D627,392 S * 11/2010 Graff D19/169
D628,633 S * 12/2010 Zhang D19/164
D652,079 S * 1/2012 Tissier D19/170
D656,990 S * 4/2012 Bruzzi D19/150
D657,820 S * 4/2012 Bruzzi D19/150
D678,942 S * 3/2013 Yuan D19/163
D683,401 S * 5/2013 Zander D19/164
D698,864 S * 2/2014 Watase D19/164

(Continued)

Primary Examiner — Elizabeth Albert

(74) *Attorney, Agent, or Firm* — Laurence P. Colton;
Smith Tempel Blaha LLC

(57) **CLAIM**

The ornamental design for a writing instrument, as shown and described.

DESCRIPTION

FIG. 1 is a first front perspective view of a writing instrument of the present invention.

FIG. 2 is a second front perspective view of the design of FIG. 1.

FIG. 3 is a front view of the design of FIG. 1.

FIG. 4 is a rear view of the design of FIG. 1.

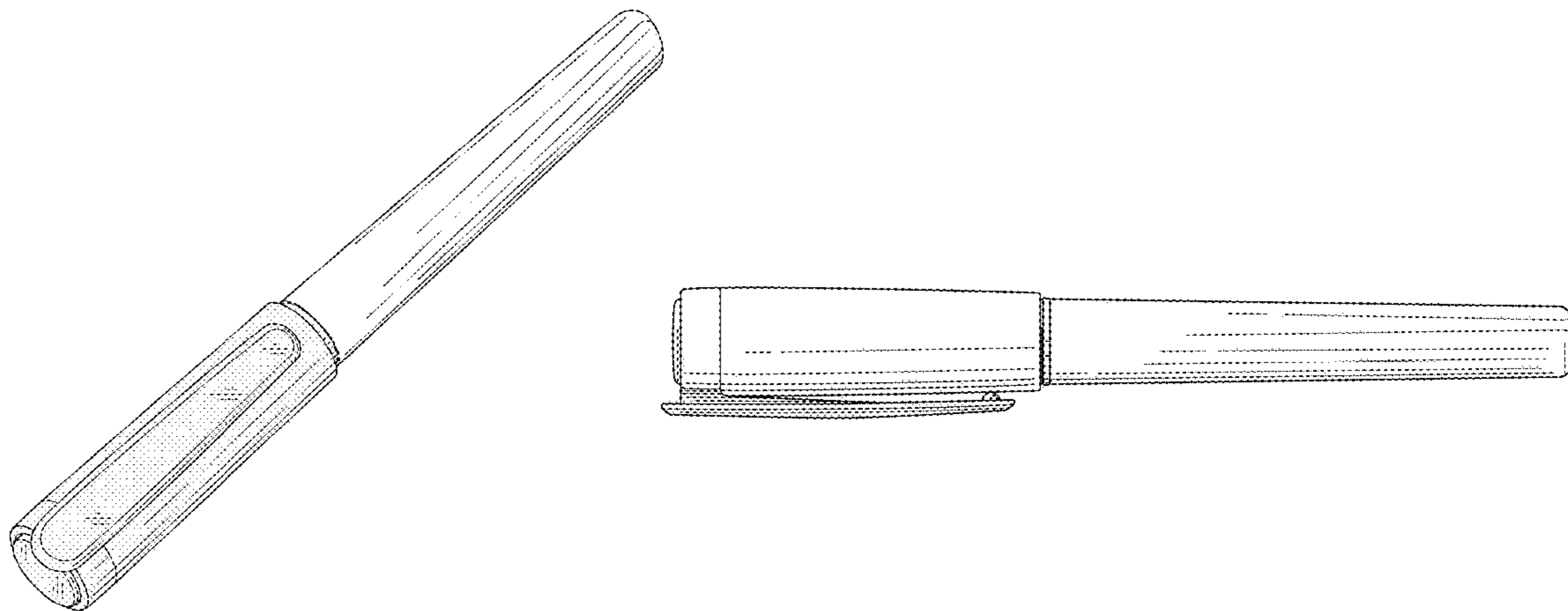
FIG. 5 is a left side view of the design of FIG. 1.

FIG. 6 is a right side view of the design of FIG. 1.

FIG. 7 is a top view of the design of FIG. 1; and,

FIG. 8 is a bottom view of the design of FIG. 1.

1 Claim, 5 Drawing Sheets



(56)

References Cited

U.S. PATENT DOCUMENTS

D728,689 S * 5/2015 Ikeda D19/168
D754,661 S * 4/2016 Nishizawa D14/411

* cited by examiner

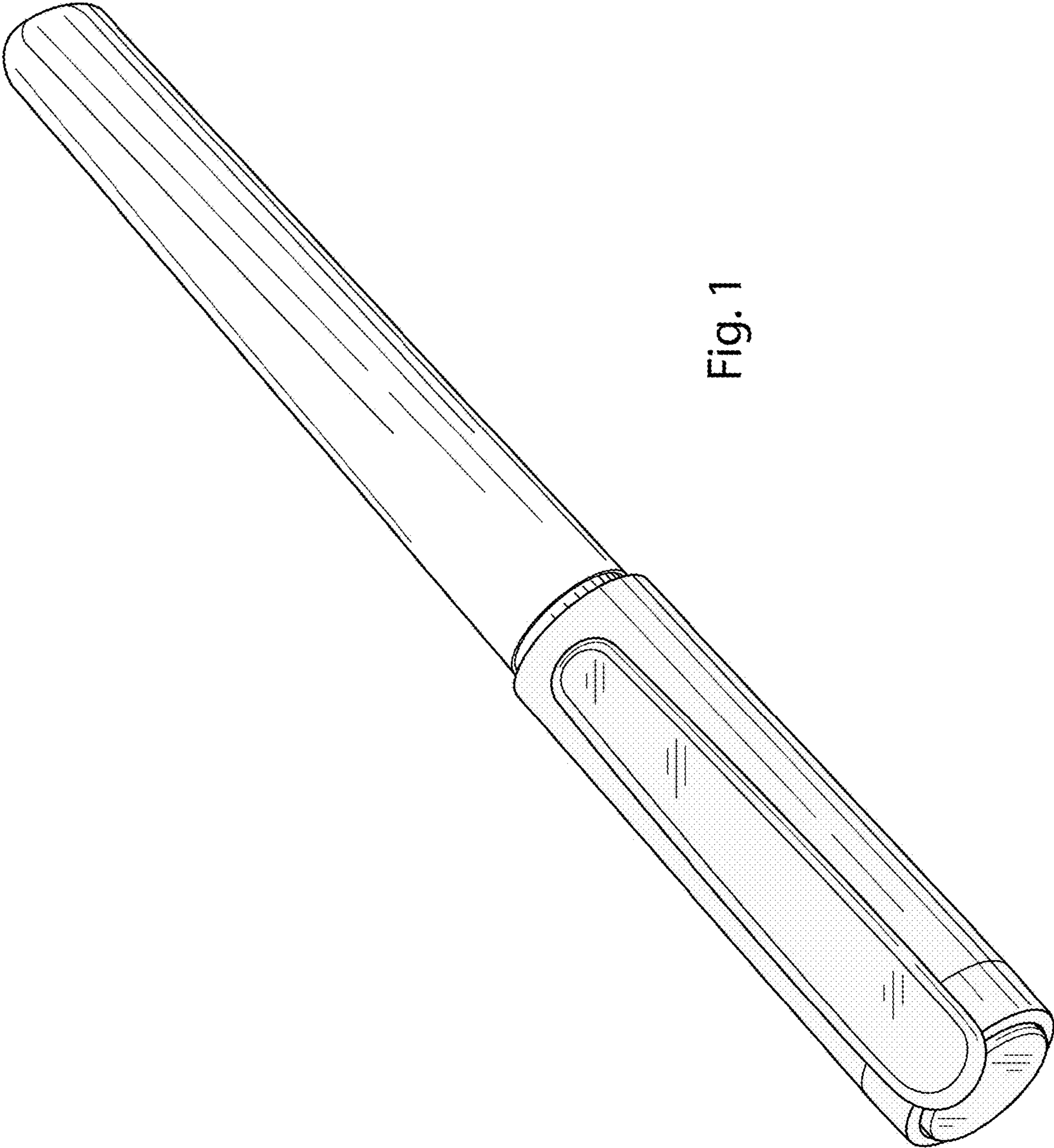


Fig. 1

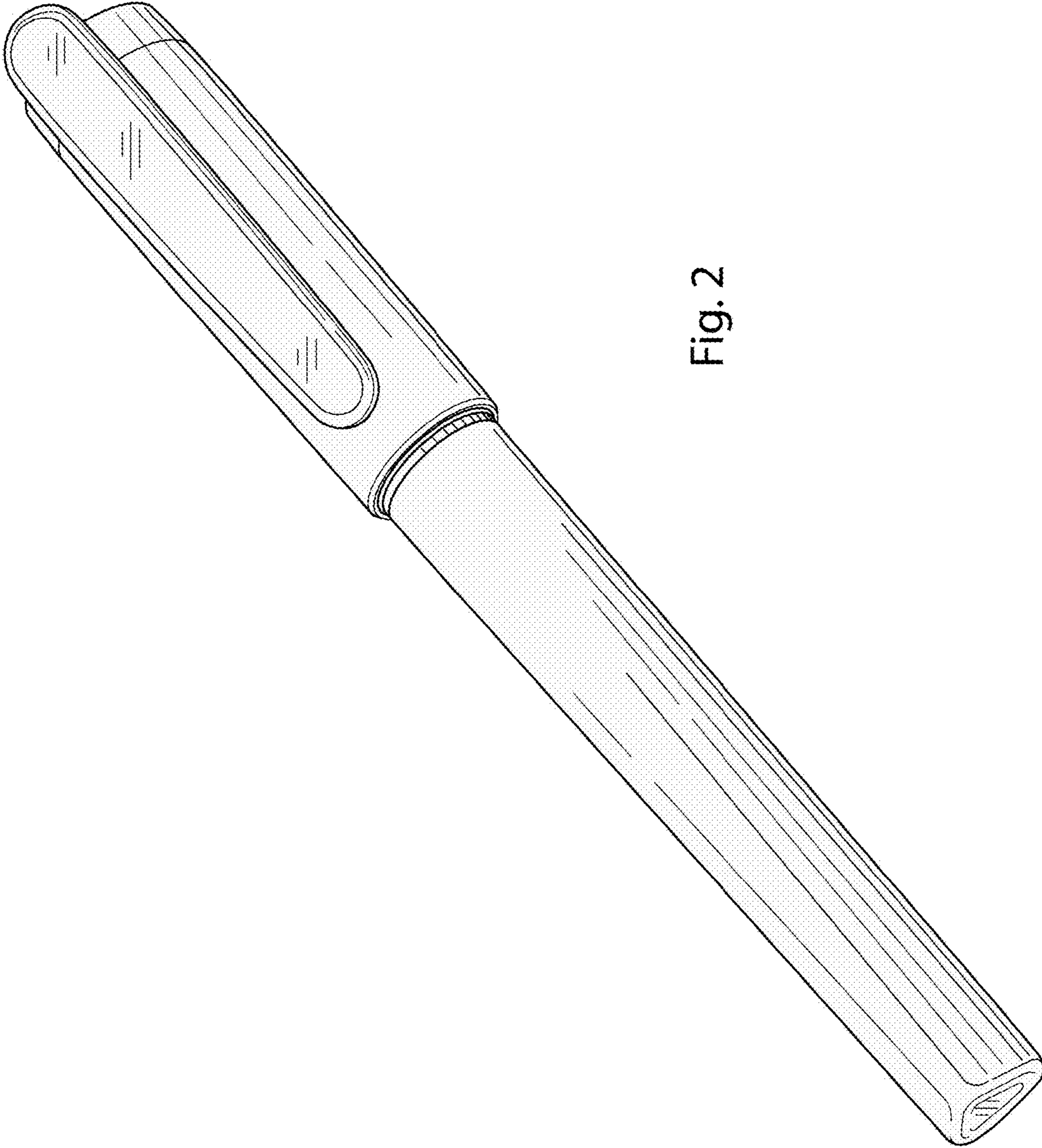


Fig. 2

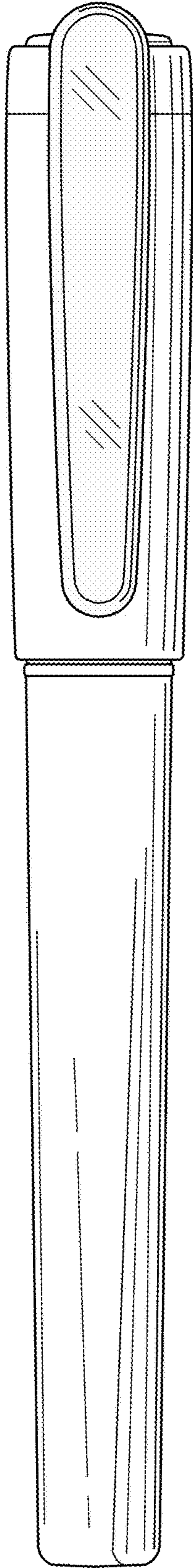


Fig. 3

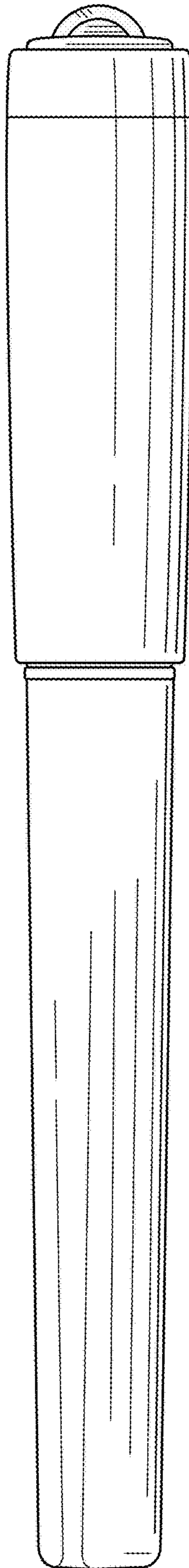


Fig. 4

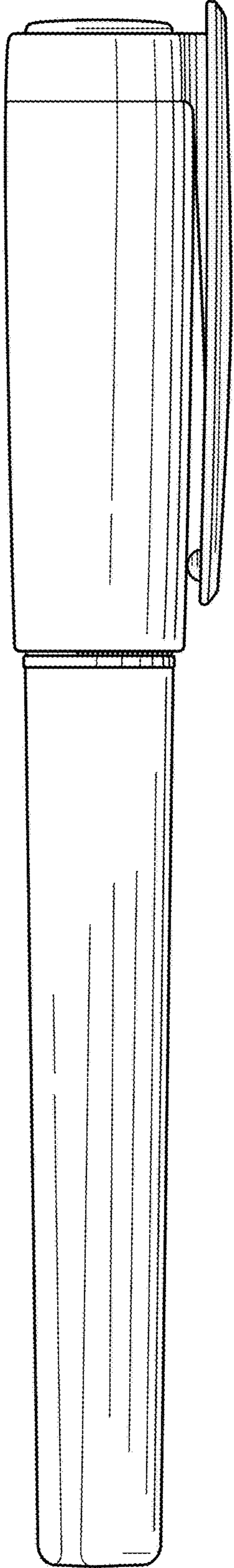


Fig. 5

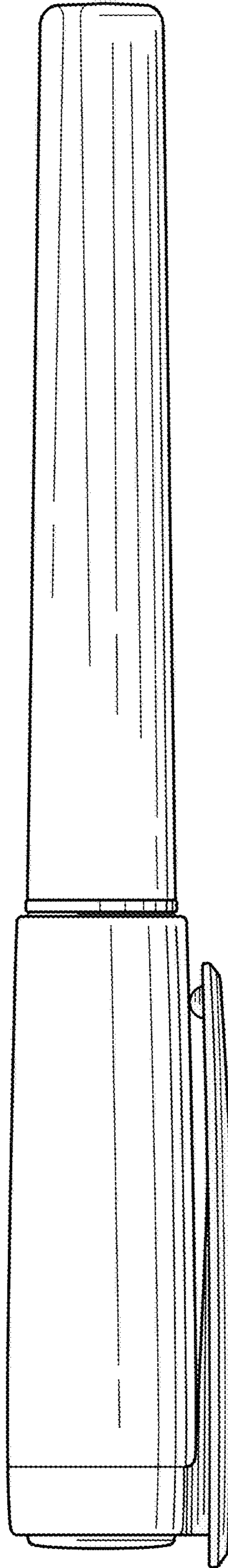


Fig. 6

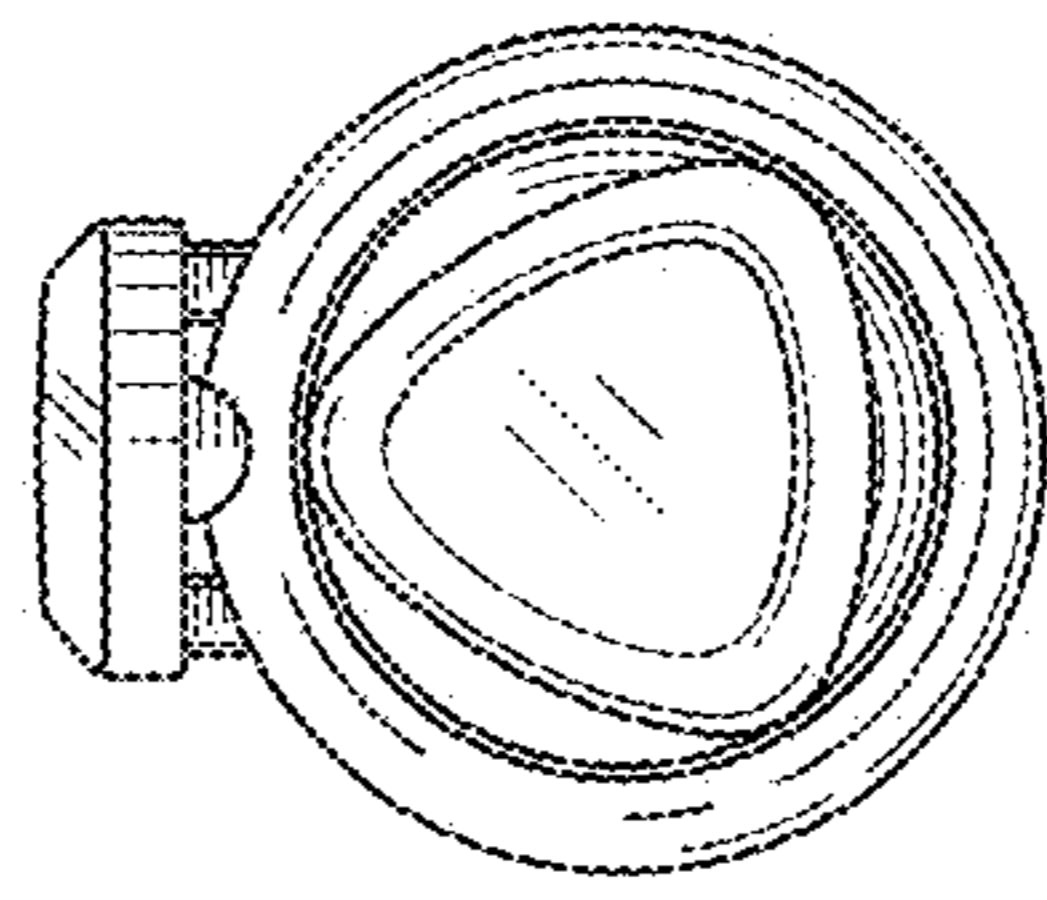


Fig. 8

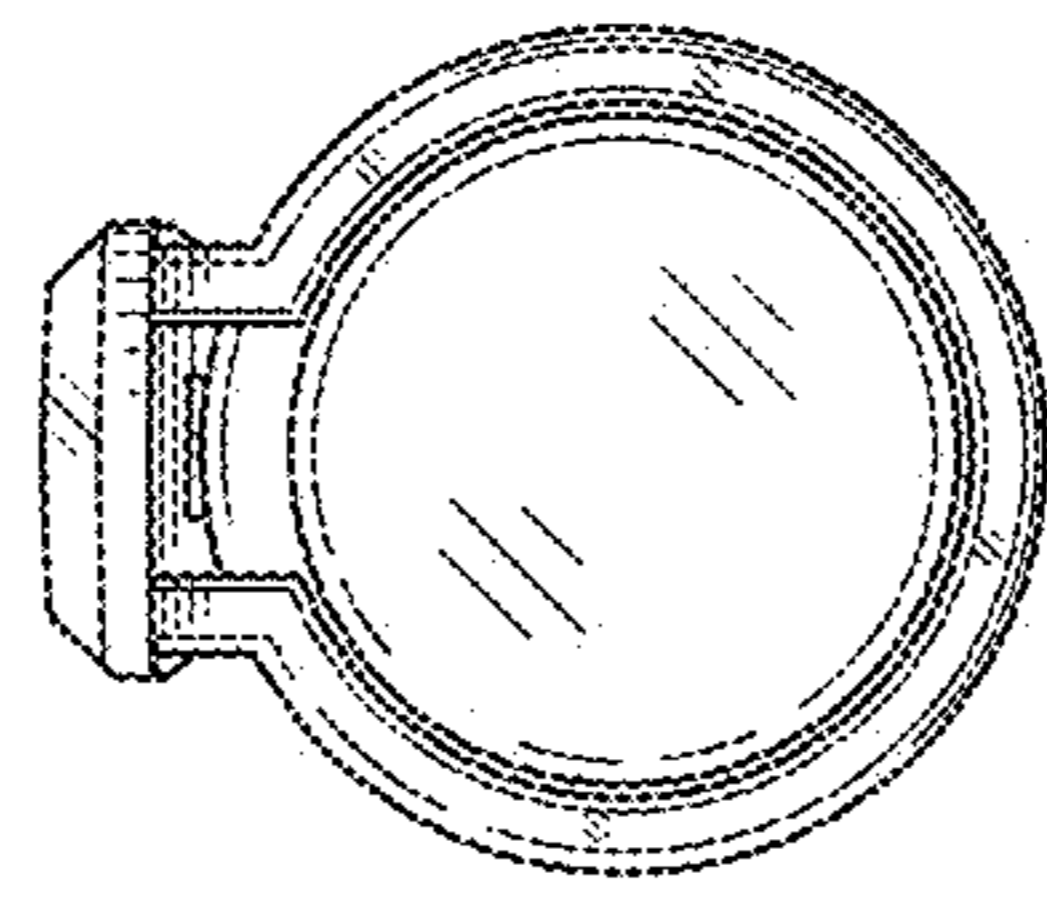


Fig. 7