



US00D816164S

(12) **United States Design Patent**  
**Riccobono**

(10) **Patent No.:** **US D816,164 S**

(45) **Date of Patent:** **\*\* Apr. 24, 2018**

(54) **STRETCHED CANVAS HOME PLATE**

(71) Applicant: **Nick Riccobono**, Oak Creek, WI (US)

(72) Inventor: **Nick Riccobono**, Oak Creek, WI (US)

(73) Assignee: **Collectible Canvas LLC**, Muskego, WI (US)

(\*\*) Term: **15 Years**

(21) Appl. No.: **29/580,203**

(22) Filed: **Oct. 6, 2016**

(51) **LOC (11) Cl.** ..... **19-06**

(52) **U.S. Cl.**  
USPC ..... **D19/113**

(58) **Field of Classification Search**  
USPC ..... D6/300–308, 310–312, 314; D9/433;  
D19/111, 113, 114

CPC . B44D 3/18; B44D 3/185; B44D 3/22; B44D  
2/002; B44D 2/007

See application file for complete search history.

(56) **References Cited**

**U.S. PATENT DOCUMENTS**

12,140 A	1/1855	Rogers	
47,230 A	4/1865	Sprague	
D55,041 S	5/1920	Hatfield	
1,339,849 A	5/1920	Johnson	
1,593,078 A	7/1926	Jacobs	
D117,036 S	10/1939	Elliot	
2,635,149 A	12/1950	McBride	
2,773,470 A	12/1956	Alger	
2,960,786 A	11/1960	Wagner	
D192,526 S *	4/1962	Hyatt et al.	D7/587
2,601,088 A	6/1962	Burgess	
2,991,577 A	7/1963	Bellocchio	
3,266,458 A	8/1966	Ahlquist	
3,672,671 A	6/1972	Merola	
3,739,420 A	6/1973	Kafkis	
3,747,756 A *	7/1973	Wheeler	B07C 7/04 206/557

3,762,360 A	10/1973	Hawes	
3,766,854 A	10/1973	Scarlet	
3,788,269 A	1/1974	Scarlet	
3,944,255 A	3/1976	Martinson	
3,945,645 A	3/1976	Roberts	
3,951,085 A	4/1976	Johnson	
4,177,750 A	12/1979	Scarlet	
4,210,859 A	7/1980	Meretsky	
D257,310 S *	10/1980	Cosmopulos	D7/587
4,271,619 A	6/1981	Schmidt	
D284,824 S *	7/1986	Marshall	D6/406.3
4,782,784 A	11/1988	Little	

(Continued)

**OTHER PUBLICATIONS**

Canvas Concepts Triangle Stretched Canvas, found at [http://webarchive20121016153649/http://www.artsupply.com/Canvas-Concepts-Triangle-Stretched-Canvas\\_c\\_2411.html](http://webarchive20121016153649/http://www.artsupply.com/Canvas-Concepts-Triangle-Stretched-Canvas_c_2411.html) on May 21, 2014.

(Continued)

*Primary Examiner* — Elizabeth Albert

(74) *Attorney, Agent, or Firm* — Boyle Fredrickson, S.C.

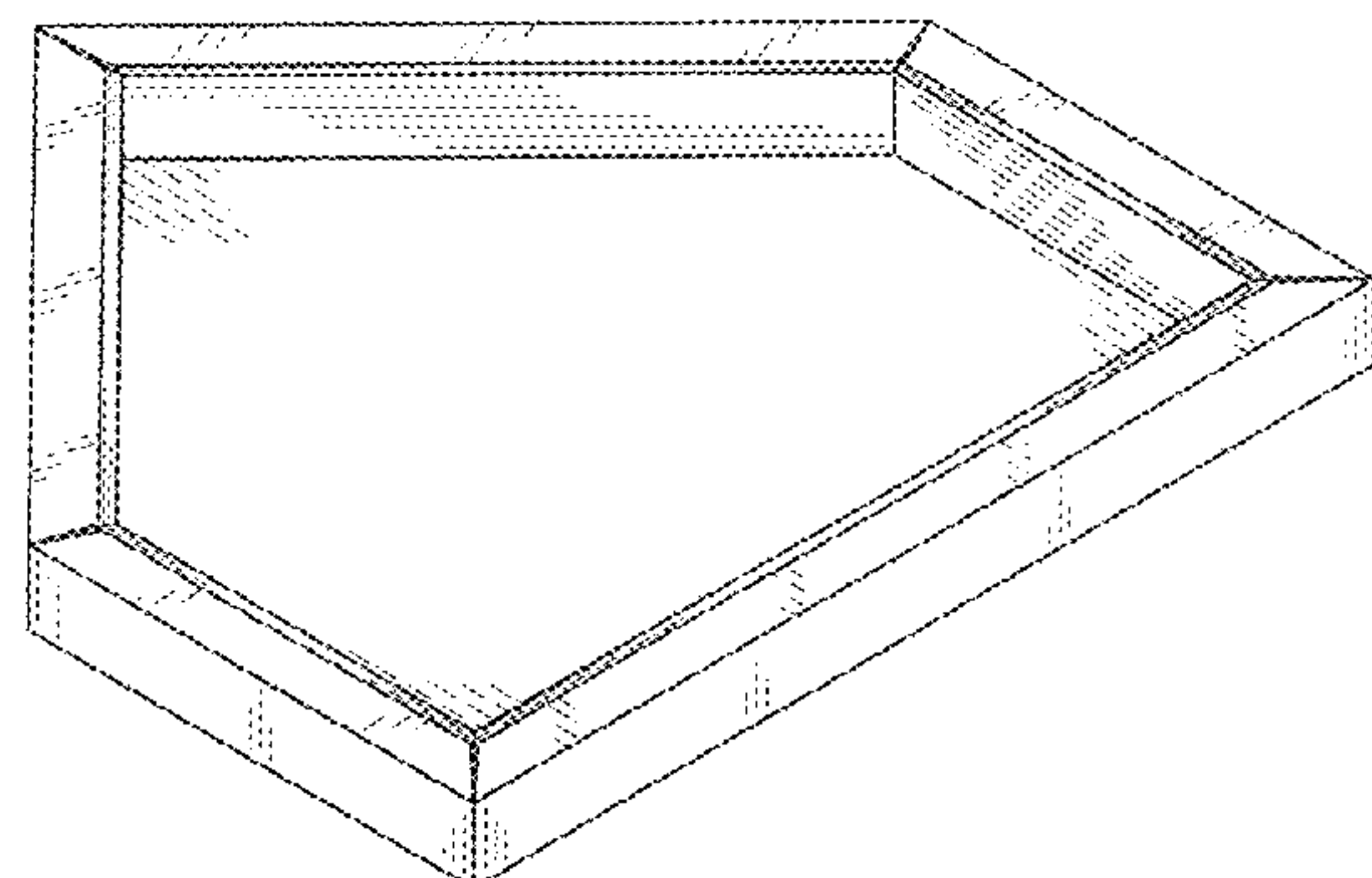
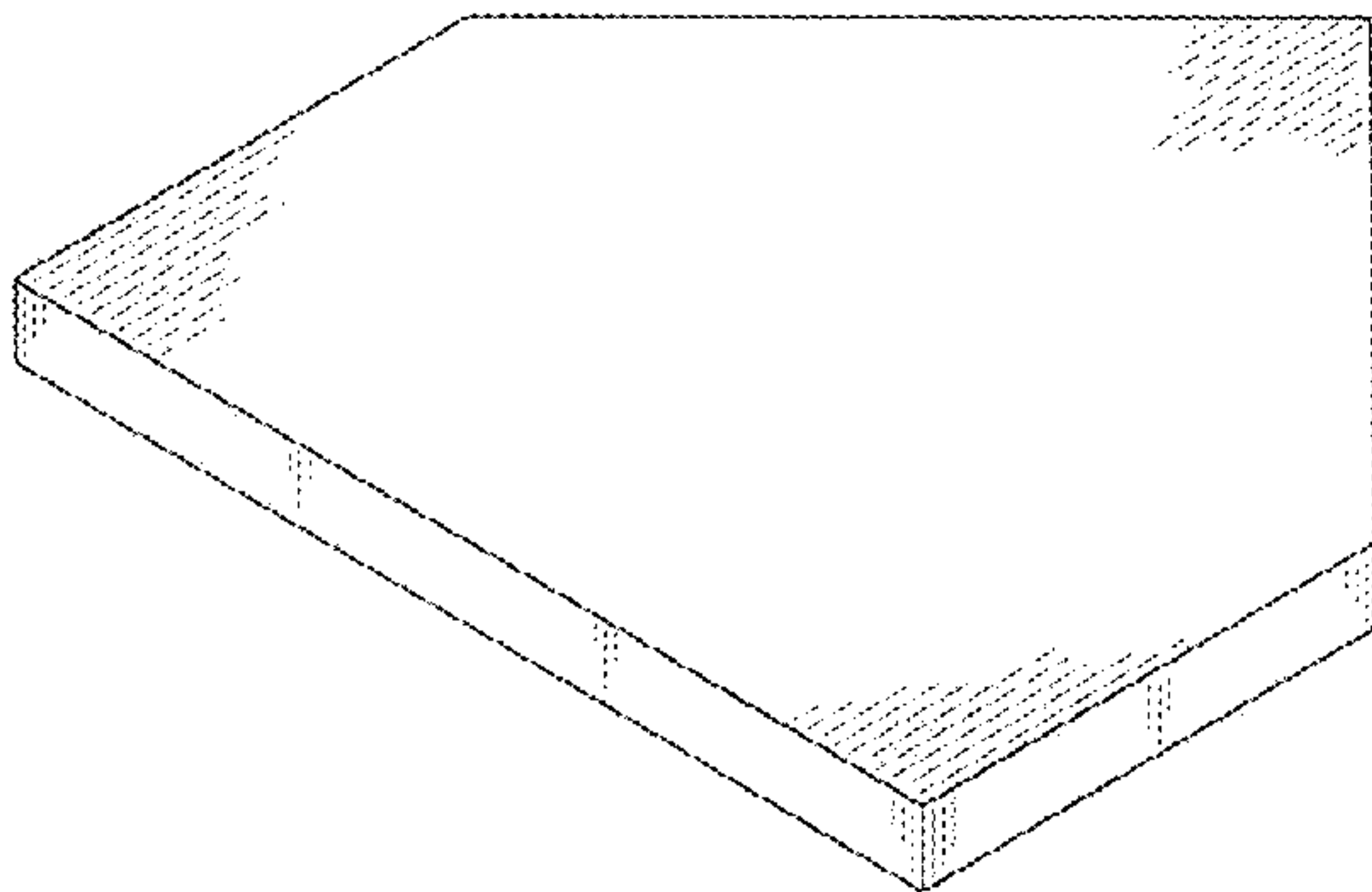
(57) **CLAIM**

The ornamental design for a stretched canvas home plate, as shown and described.

**DESCRIPTION**

FIG. 1 is a top perspective view of a stretched canvas home plate showing my new design;  
FIG. 2 is a bottom perspective view thereof;  
FIG. 3 is a front elevation view thereof;  
FIG. 4 is a rear elevation view thereof;  
FIG. 5 is a right side view thereof;  
FIG. 6 is a left side view thereof;  
FIG. 7 is a top plan view thereof; and,  
FIG. 8 is a bottom plan view thereof.

**1 Claim, 6 Drawing Sheets**



(56)

References Cited

U.S. PATENT DOCUMENTS

4,856,779 A \* 8/1989 Wallendal ..... A63B 69/0002  
473/497  
D303,935 S 10/1989 Coleman  
D313,214 S 12/1990 Phillips et al.  
D322,758 S \* 12/1991 Haire ..... D9/430  
D323,257 S 1/1992 Cornwell  
D326,432 S 5/1992 McNulty  
5,207,174 A 5/1993 Fabbrini  
D338,595 S \* 8/1993 Cafarella ..... D3/304  
D338,596 S \* 8/1993 Cafarella ..... D7/551.1  
5,246,517 A 9/1993 Watson  
D346,520 S \* 5/1994 Barfield ..... D6/552  
D352,191 S 11/1994 Zorian  
5,373,654 A 12/1994 Whalen  
D354,712 S 1/1995 Moat  
D359,515 S 6/1995 Kinart  
5,439,018 A 8/1995 Tsar  
D369,042 S 4/1996 Kinart  
D371,164 S 6/1996 Shane  
5,685,255 A 11/1997 Arzu  
5,740,622 A 4/1998 Martin  
5,904,116 A 5/1999 Wyner et al.  
5,916,032 A 6/1999 Stoll  
6,016,910 A \* 1/2000 Rodearmel ..... G09F 19/00  
206/315.1  
D423,794 S 5/2000 Brownfield  
D430,755 S \* 9/2000 Simmons ..... D6/661  
D433,714 S 11/2000 Rosen et al.  
6,339,683 B1 1/2002 Nakayama et al.  
6,390,017 B1 5/2002 Hendrickson et al.  
D462,091 S \* 8/2002 Lowder ..... D19/86  
D462,832 S \* 9/2002 Lowder ..... D3/207  
6,598,558 B2 7/2003 Griffin  
D478,953 S \* 8/2003 Nobriga ..... D21/780  
6,808,098 B1 10/2004 Bickett, III et al.  
6,874,264 B1 4/2005 Coito  
6,928,951 B2 8/2005 Huang  
7,067,164 B2 6/2006 Carkeek  
D529,116 S 9/2006 Hathcock  
D534,094 S \* 12/2006 Trainor ..... D11/116  
7,207,635 B2 \* 4/2007 Simmons ..... A47F 3/002  
206/6.1

D543,758 S \* 6/2007 Olivera ..... D6/552  
D555,986 S \* 11/2007 Goldman ..... D7/698  
7,648,432 B1 \* 1/2010 Hall ..... A63B 69/0013  
473/499  
7,687,999 B2 3/2010 Essick et al.  
7,712,240 B2 5/2010 Gipson  
D653,502 S \* 2/2012 Mitchell ..... D7/571  
D659,591 S 5/2012 Dunn  
8,337,340 B2 \* 12/2012 Clark ..... A63B 69/0013  
473/452  
D678,728 S \* 3/2013 Stevens ..... D7/551.1  
D686,558 S 7/2013 Bevins  
D720,559 S \* 1/2015 Pitti ..... D6/661  
D729,116 S 5/2015 Riccobono  
9,272,196 B2 \* 3/2016 Kropff ..... A63B 69/0013  
D755,573 S \* 5/2016 Consolatore ..... D7/551.1  
D773,578 S \* 12/2016 Gerut ..... D21/780  
2002/0005003 A1 1/2002 Griffin  
2003/0207071 A1 11/2003 Beistline et al.  
2004/0043183 A1 3/2004 Thrasher et al.  
2005/0206080 A1 9/2005 Chuang  
2006/0086307 A1 4/2006 Kaz  
2006/0174525 A1 8/2006 Hughes  
2007/0170629 A1 \* 7/2007 Goldman ..... A47J 47/005  
269/289 R  
2008/0039219 A1 2/2008 Radake  
2008/0301989 A1 12/2008 Britten  
2009/0211136 A1 8/2009 O'Connor  
2012/0012015 A1 1/2012 Shaw  
2012/0302361 A1 11/2012 Kaplan  
2013/0092074 A1 4/2013 Larouche  
2013/0122243 A1 5/2013 Griffin

OTHER PUBLICATIONS

Materpiece ¾" Triangle Stretched Canvas—10" found at Chicago Airbrush Supply, <http://www.chicagoairbrushsupply.com/paof2mw3trst2.html>. On May 21, 2014.  
Triangular Stretched Canvas Nail on Side of Staple on Side found at D.K.ART & CRAFT CO., LTD. [Http://www.china-dkart.com/Triangular-Stretched-Canvas-Nail-on-Side-or-Staple-on-Side.htm](http://www.china-dkart.com/Triangular-Stretched-Canvas-Nail-on-Side-or-Staple-on-Side.htm) on May 21, 2014.

\* cited by examiner

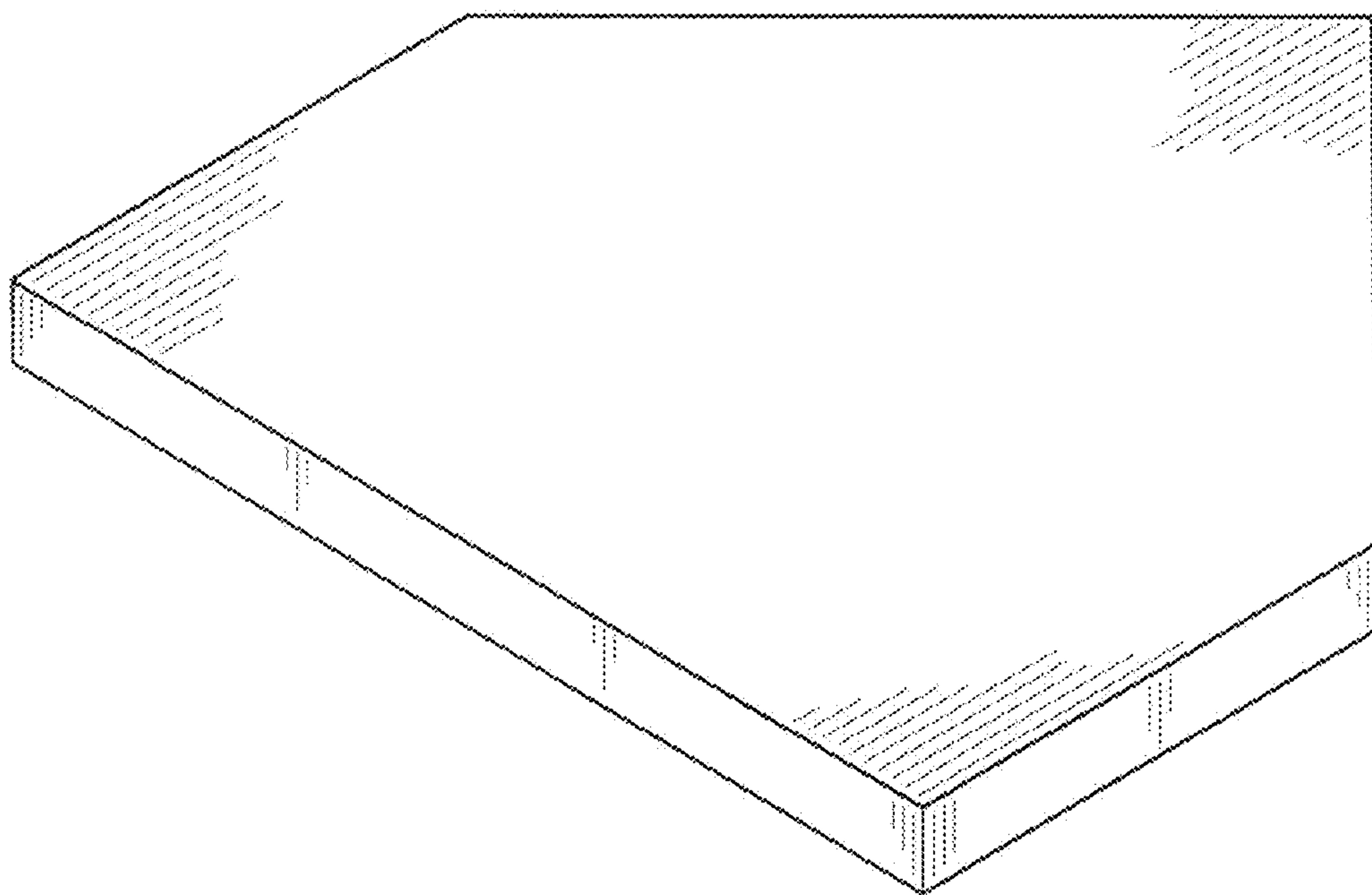


FIG. 1

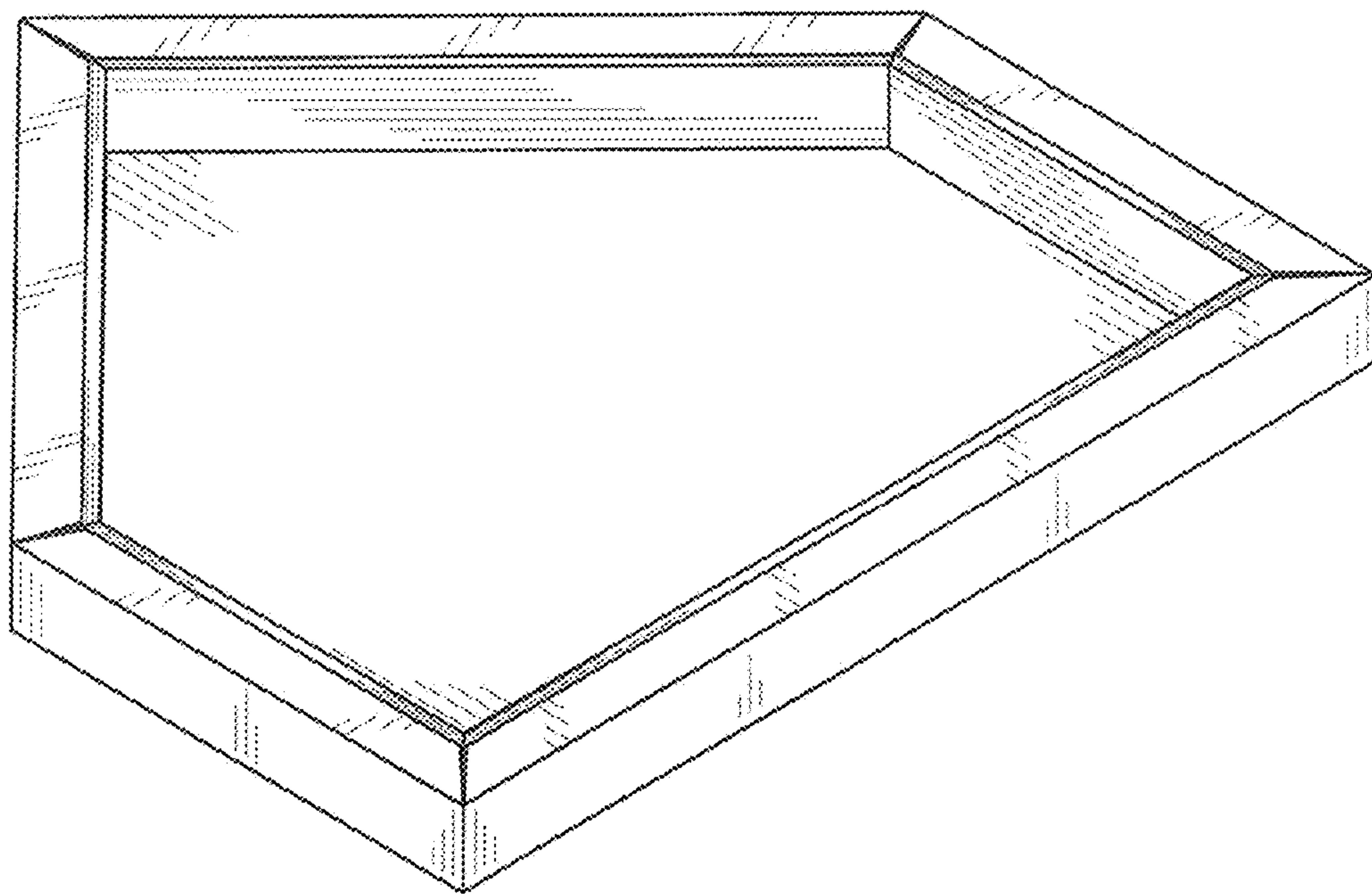


FIG. 2



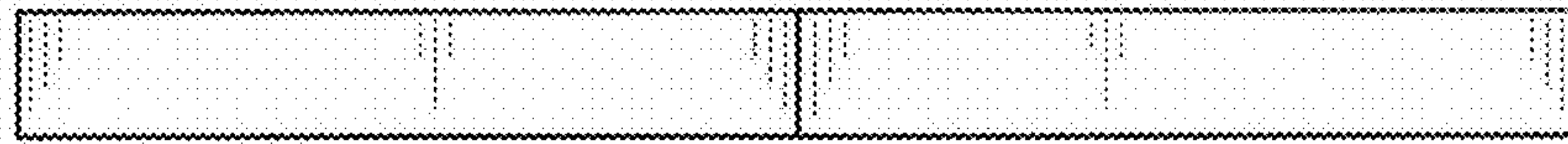


FIG. 3

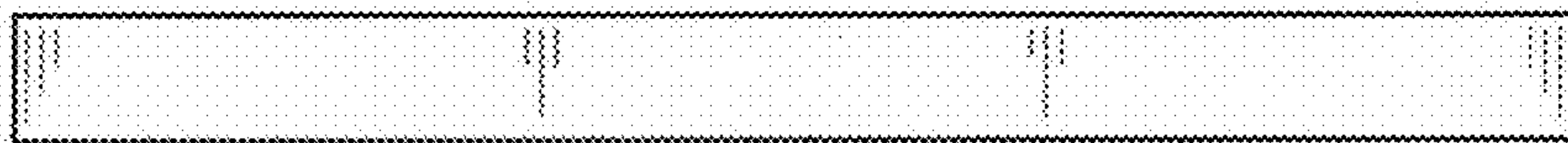


FIG. 4

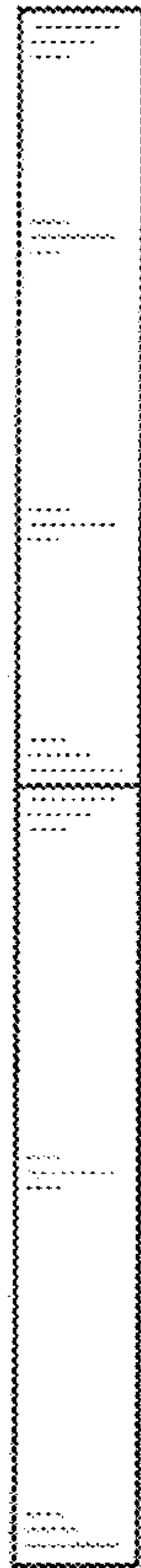


FIG. 5

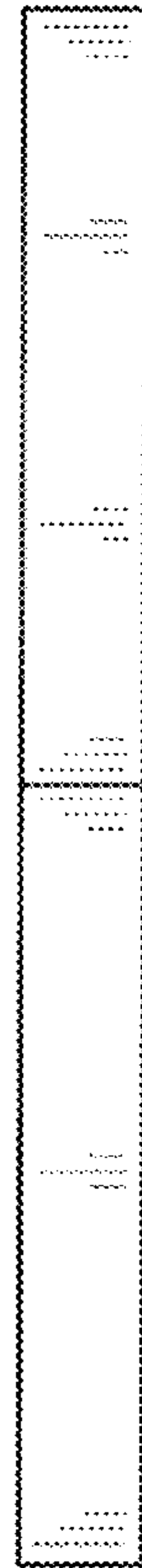


FIG. 6

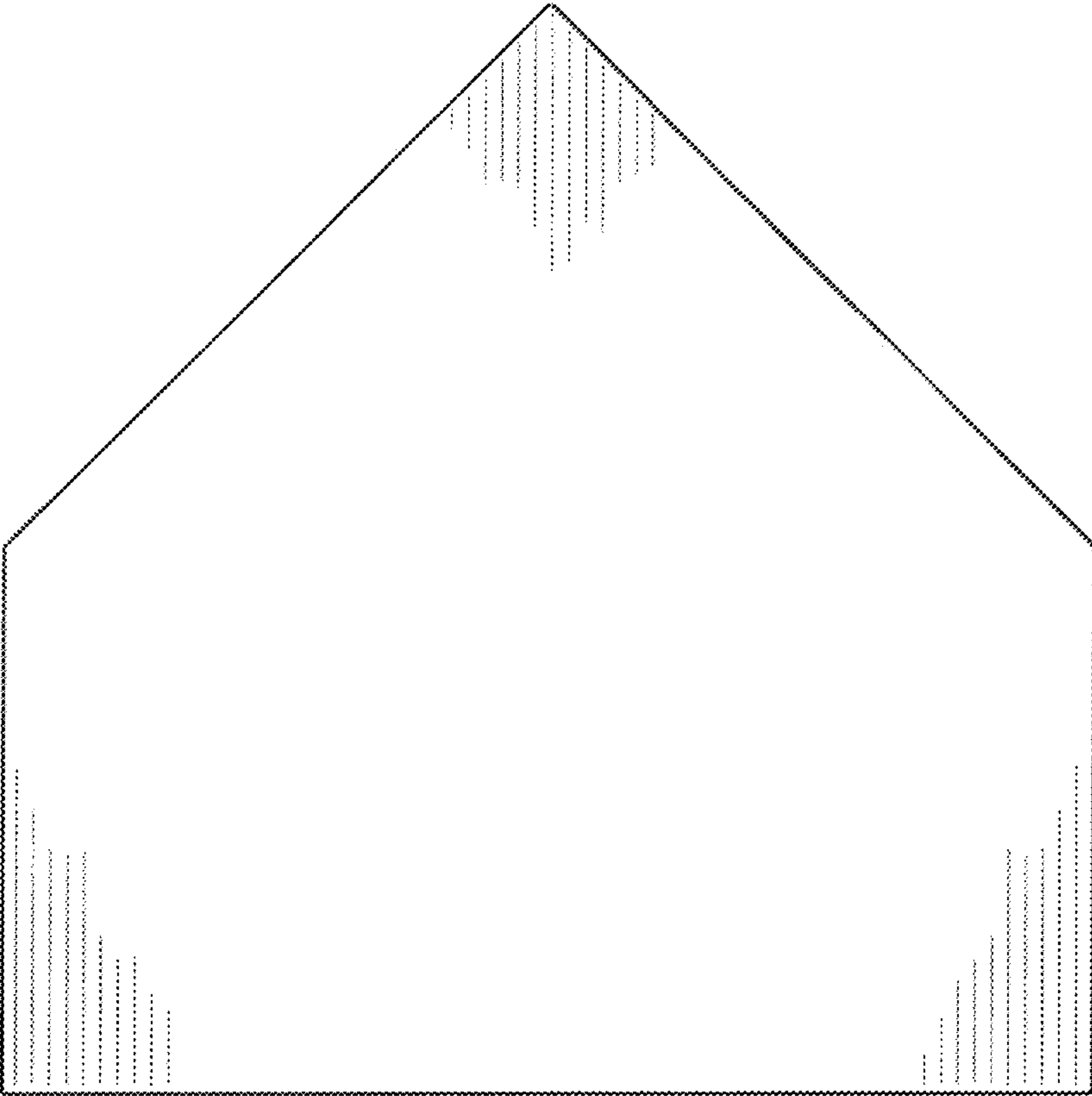


FIG. 7

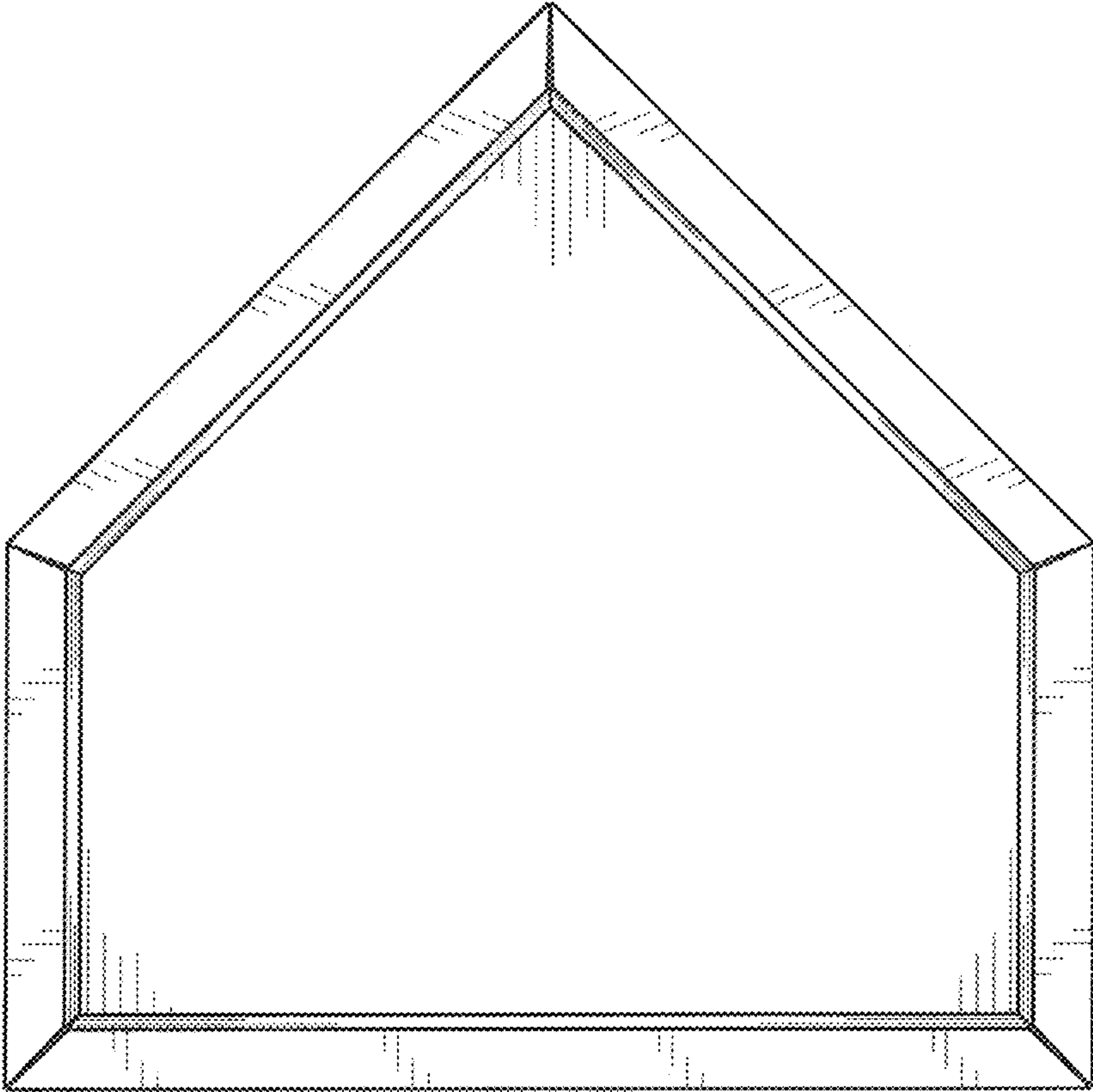


FIG. 8