



US00D816161S

(12) **United States Design Patent** (10) **Patent No.:** **US D816,161 S**  
**Munna** (45) **Date of Patent:** **\*\* Apr. 24, 2018**

(54) **MEMO BOOK ORGANIZER**  
(71) Applicant: **Krishenauth Munna**, Woodhaven, NY (US)  
(72) Inventor: **Krishenauth Munna**, Woodhaven, NY (US)  
(\*\*) Term: **15 Years**

5,494,366 A 2/1996 Pell  
D383,779 S \* 9/1997 Yaukey ..... D19/27  
D396,489 S \* 7/1998 Siemon ..... D19/26  
D404,762 S \* 1/1999 Vogel ..... D3/247  
6,250,834 B1 6/2001 Wien  
6,837,346 B2 1/2005 Hollingsworth  
D551,292 S \* 9/2007 Panoke ..... D19/26  
D560,718 S \* 1/2008 King ..... D19/26  
D595,503 S 7/2009 Guy  
D671,988 S 12/2012 Leipold  
D703,954 S \* 5/2014 Zizka ..... D3/299

(21) Appl. No.: **29/613,119**

**FOREIGN PATENT DOCUMENTS**

(22) Filed: **Aug. 8, 2017**

CA 2466029 A1 1/2013  
WO WO 02055396 A1 \* 7/2002 ..... B42F 7/02

(51) **LOC (11) Cl.** ..... **19-04**

(52) **U.S. Cl.**  
USPC ..... **D19/26**

**OTHER PUBLICATIONS**

(58) **Field of Classification Search**  
USPC ..... D19/26, 27, 32, 33, 34, 34.1-34.5, 124, D19/100, 2, 3, 86, 91; D3/303, 227, 900, D3/271.5; D9/433, 634; D14/440  
CPC ..... G09F 5/00; G09F 5/02; G09F 5/04; G09F 2005/041; G09F 5/042; B42F 13/02; B42F 13/04; B42F 13/06; B42F 13/08; B42F 13/10; B42F 13/14; B42F 13/65; B42F 13/22; B42F 13/26; B42F 3/003; B42F 3/006; B42F 3/02; B42F 3/04; B42F 13/0033; B42F 13/0066; B42F 13/0006; B42F 13/0013; B42F 13/002; B42F 13/0026

CopQuest. <URL: [http://www.copquest.com/double-cite-book-holder\\_22-0510.htm](http://www.copquest.com/double-cite-book-holder_22-0510.htm)> Jun. 13, 2017. Aetco Leather Double Cite Book.\*

\* cited by examiner

*Primary Examiner* — Bridget L Eland  
*Assistant Examiner* — Lauren McVey

See application file for complete search history.

(57) **CLAIM**

I claim the ornamental design for a memo book organizer, as shown and described.

**DESCRIPTION**

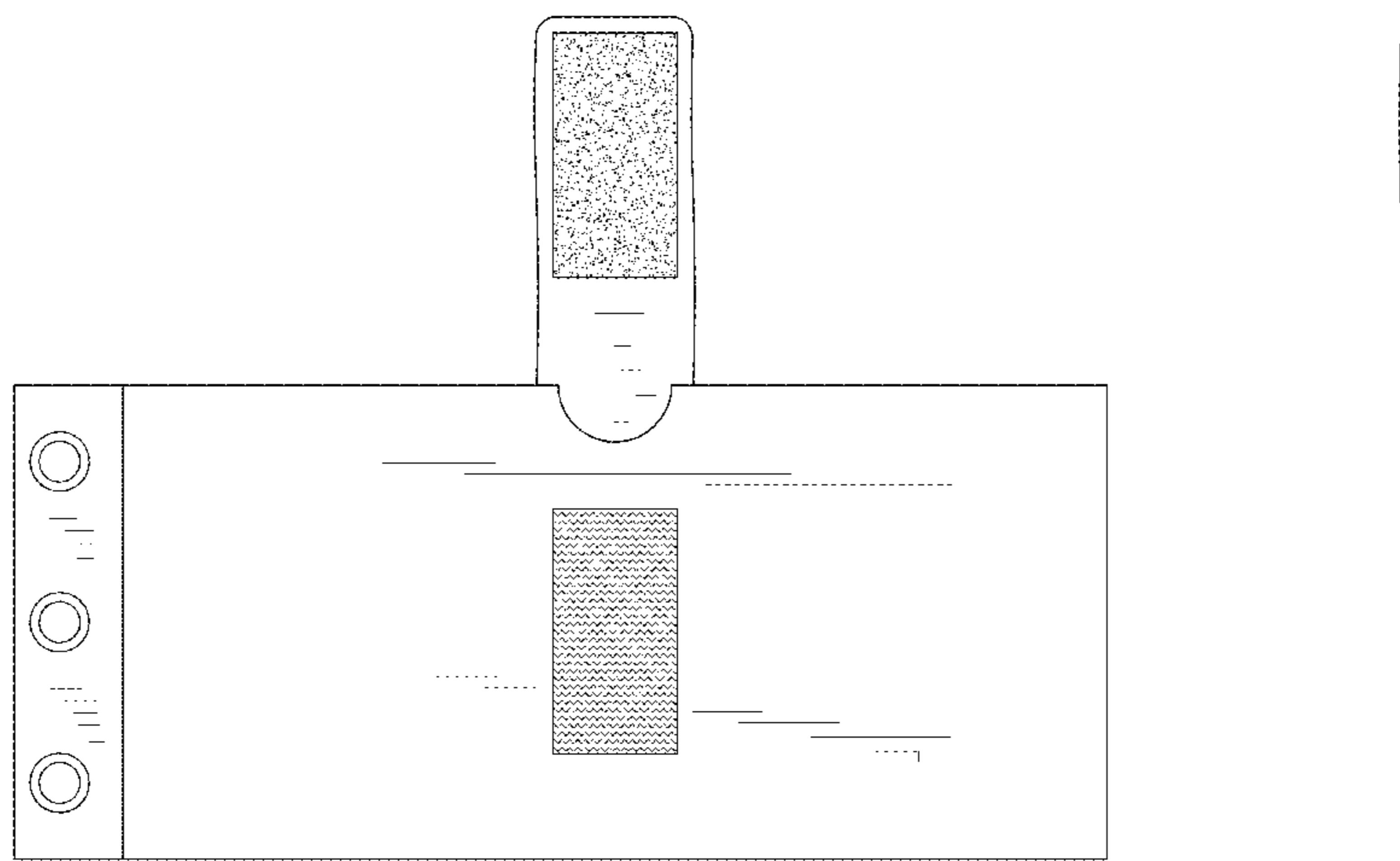
(56) **References Cited**

**U.S. PATENT DOCUMENTS**

1,089,557 A \* 3/1914 Henderson ..... B42D 3/04 281/19.1  
D216,173 S \* 11/1969 Kogutt ..... D19/26  
3,680,969 A \* 8/1972 Gorman  
D282,377 S \* 1/1986 Curran ..... D19/26  
D322,987 S \* 1/1992 Testro ..... D19/26  
D326,681 S \* 6/1992 Eber ..... D19/26  
D347,446 S \* 5/1994 Riss ..... D19/28  
D358,166 S \* 5/1995 Deutch ..... D19/26

FIG. 1 is a front elevation view of a memo book organizer, showing my new design;  
FIG. 2 is a rear elevation view thereof;  
FIG. 3 is a left side elevation view thereof;  
FIG. 4 is a top plan view thereof;  
FIG. 5 is a bottom plan view thereof; and,  
FIG. 6 is a right front perspective view thereof.  
The stipple and zig-zag patterned surfaces show typical hook and loop closure material.

**1 Claim, 5 Drawing Sheets**



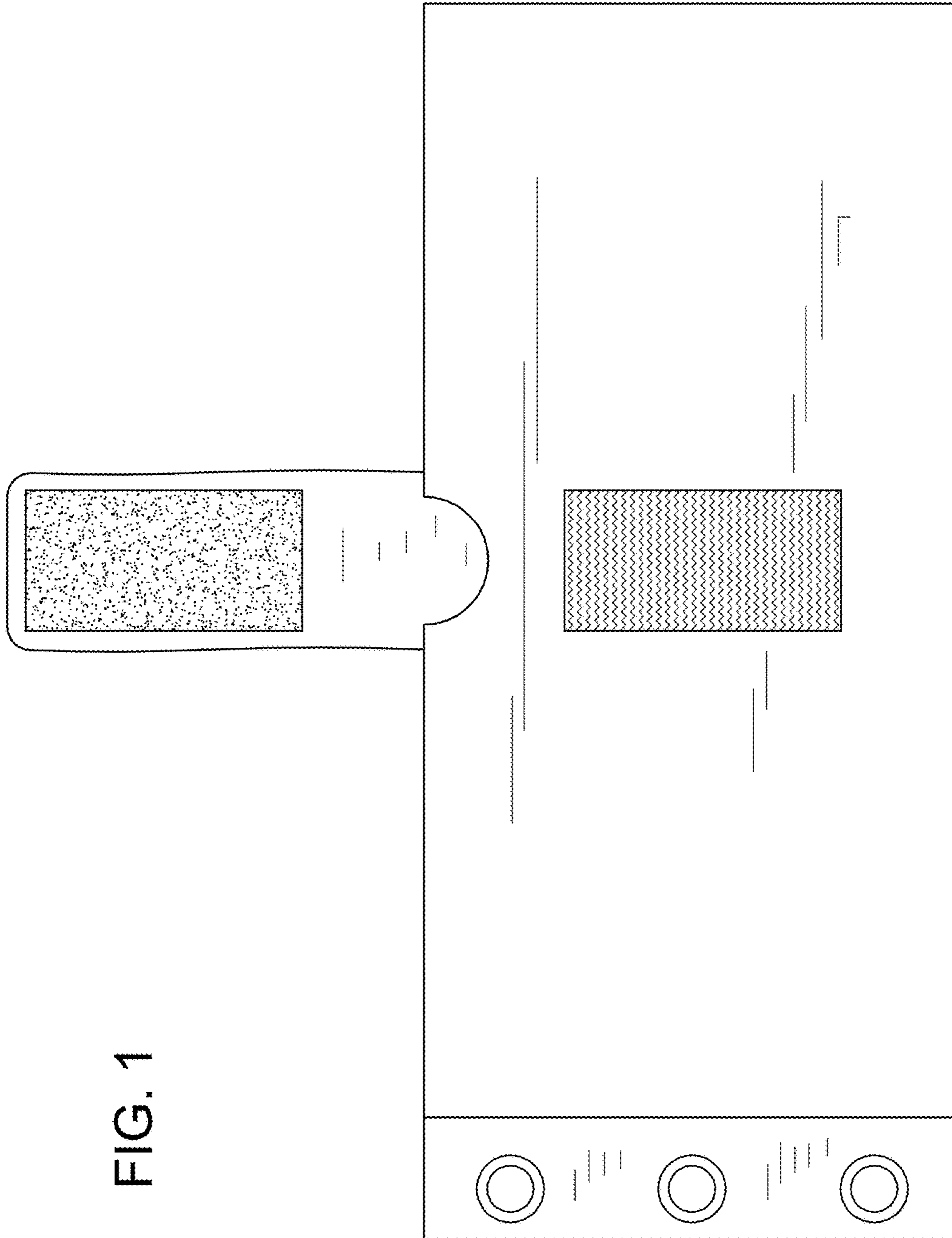


FIG. 1

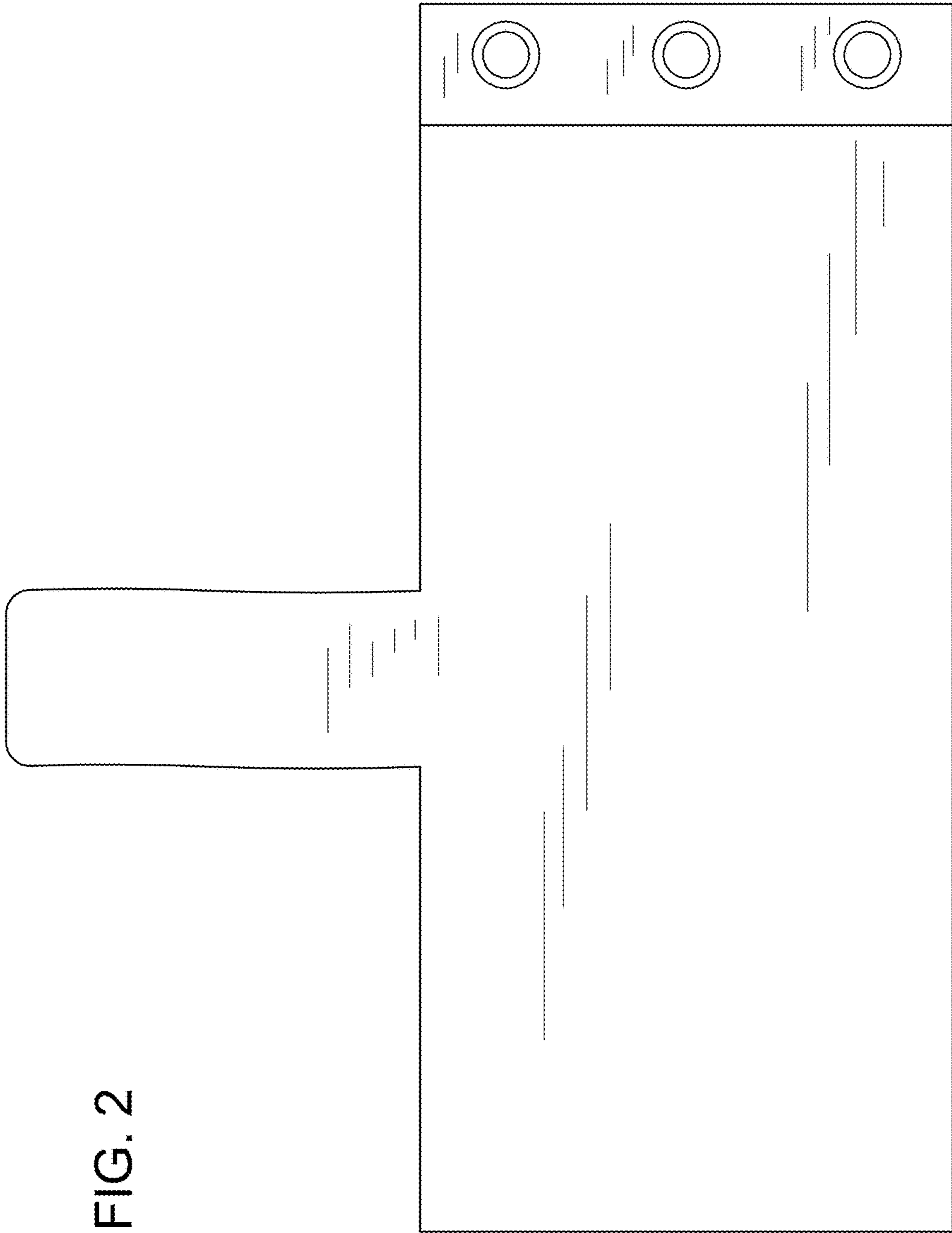


FIG. 2

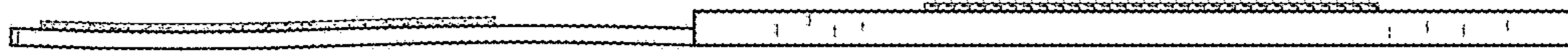


FIG. 3

FIG. 4



FIG. 5

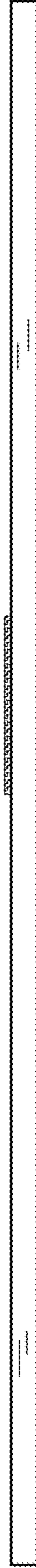


FIG. 6

