



US00D816158S

(12) **United States Design Patent** (10) **Patent No.:** **US D816,158 S**
Yoshii et al. (45) **Date of Patent:** **** Apr. 24, 2018**

(54) **INK BOTTLE FOR PRINTER**

CPC G03G 15/0868; G03G 15/0886; G03G 15/0872; G03G 2215/0668; B65D 2231/005; B65D 47/241; B65D 83/06

(71) Applicant: **CANON KABUSHIKI KAISHA**,
Tokyo (JP)

See application file for complete search history.

(72) Inventors: **Kazuya Yoshii**, Tokyo (JP); **Yasuo Kotaki**, Tokyo (JP); **Kenta Udagawa**, Tokyo (JP); **Hiroshi Koshikawa**, Tokyo (JP); **Wataru Takahashi**, Tokyo (JP); **Koichi Kubo**, Tokyo (JP); **Shigeki Fukui**, Tokyo (JP); **Naozumi Nabeshima**, Tokyo (JP); **Soji Kondo**, Tokyo (JP); **Tatsuo Nanjo**, Tokyo (JP); **Norihiro Ikebe**, Tokyo (JP); **Kenichi Kanno**, Tokyo (JP); **Keiichiro Tsukuda**, Tokyo (JP); **Hiroki Nakanishi**, Tokyo (JP)

(56) **References Cited**

U.S. PATENT DOCUMENTS

D279,080 S * 6/1985 Negishi D9/453
D362,623 S * 9/1995 Ma D9/443
D362,676 S * 9/1995 Shimizu D18/43
D398,635 S * 9/1998 Ban D18/43

(Continued)

OTHER PUBLICATIONS

U.S. Appl. No. 29/540,328, filed Sep. 23, 2015, Murakami.
U.S. Appl. No. 29/563,583, filed Apr. 27, 2016, Inuma.

Primary Examiner — George Kirschbaum
Assistant Examiner — Jennifer Watkins

(**) Term: **15 Years**

(21) Appl. No.: **35/501,785**

(57) **CLAIM**

(22) Filed: **Apr. 25, 2016**

The ornamental design for an ink bottle for printer, as shown and described.

(80) **Hague Agreement Data**

DESCRIPTION

Int. Filing Date: **Apr. 25, 2016**
Int. Reg. No.: **DM/091224**
Int. Reg. Date: **Apr. 25, 2016**
Int. Reg. Pub. Date: **Oct. 28, 2016**

1.1 is a front view of an embodiment of the ink bottle for printer showing the new design;
1.2 is a rear view thereof;
1.3 is a top plan view thereof;
1.4 is a bottom plan view thereof;
1.5 is a left side view thereof;
1.6 is a right side view thereof;
1.7 is a top perspective view thereof;
1.8 is a bottom perspective view thereof;
2.1 is a front view of another embodiment of the ink bottle for printer;
2.2 is a rear view thereof;
2.3 is a top plan view thereof;
2.4 is a bottom plan view thereof;
2.5 is a left side view thereof;
2.6 is a right side view thereof;

(30) **Foreign Application Priority Data**

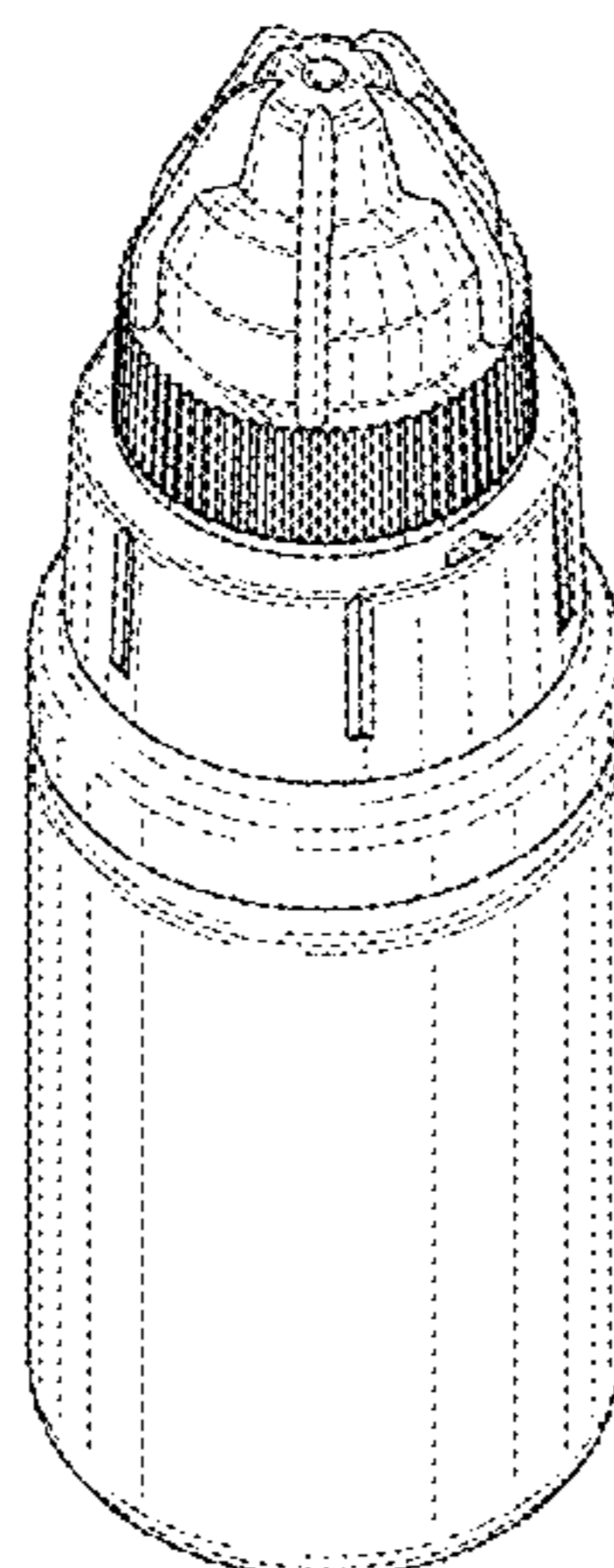
Oct. 29, 2015 (JP) 2015-024013
Oct. 29, 2015 (JP) 2015-024014
Oct. 29, 2015 (JP) 2015-024017

(51) **LOC (11) Cl.** **18-02**

(52) **U.S. Cl.**
USPC **D18/56**

(58) **Field of Classification Search**
USPC D18/40, 43, 56; D14/471; D9/443, 529, D9/552

(Continued)



2.7 is a top perspective view thereof;
 2.8 is a bottom perspective view thereof.

1 Claim, 16 Drawing Sheets

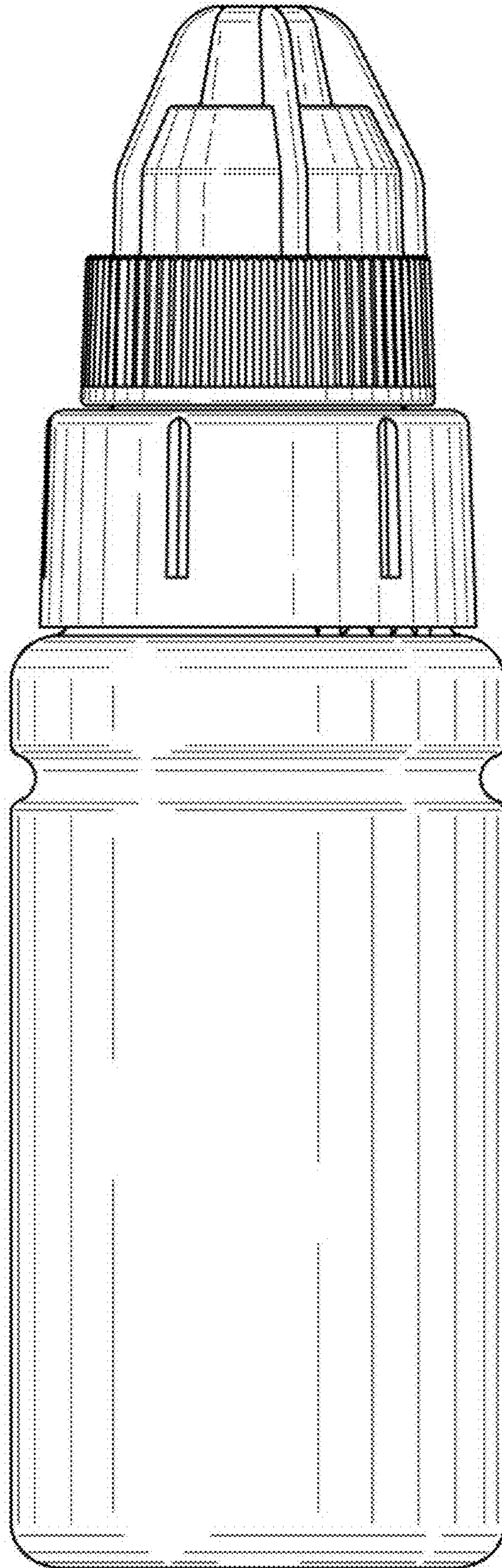
(56) **References Cited**

U.S. PATENT DOCUMENTS

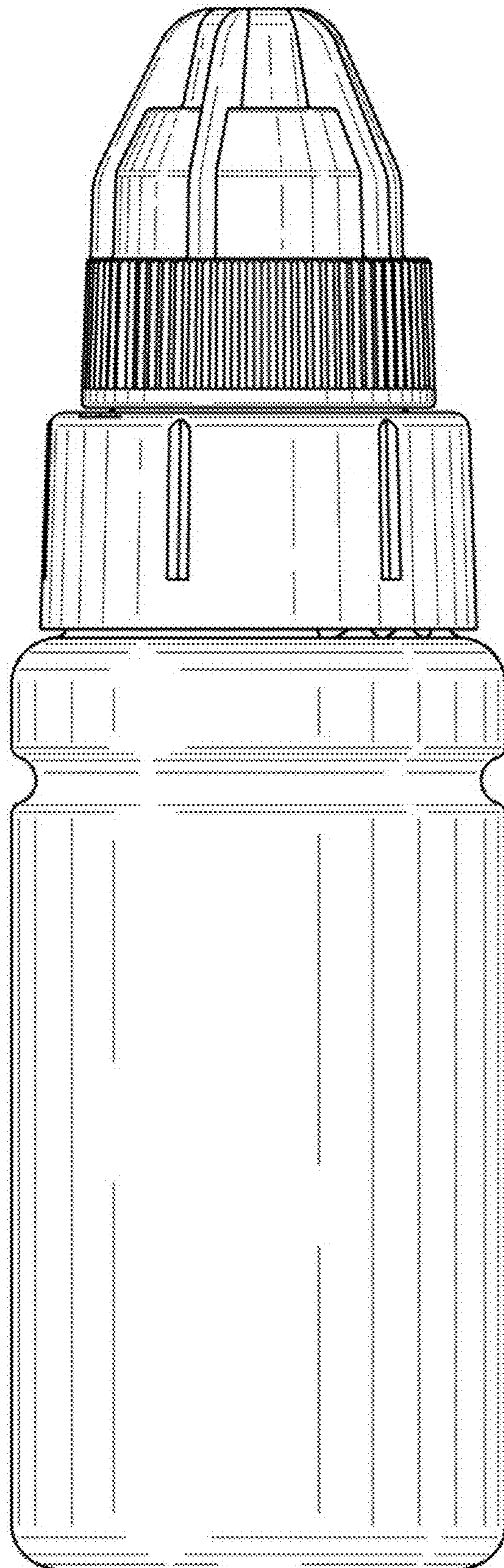
D419,069	S *	1/2000	Beck	D9/443
D443,512	S *	6/2001	Kishita	D9/443
D451,949	S *	12/2001	Aritomo	D18/43
D573,465	S *	7/2008	Kogure	D9/452
7,458,665	B2 *	12/2008	Batista	B41J 2/17509
					222/83
D611,531	S	3/2010	Hatasa et al.	D18/56
D611,532	S	3/2010	Nanjo et al.	D18/56
D624,960	S	10/2010	Inoue et al.	D18/56
D626,173	S	10/2010	Inoue et al.	D18/56
D656,183	S	3/2012	Nanjo et al.	D18/56
D662,975	S *	7/2012	Hatch	D18/56
D665,018	S *	8/2012	Hatch	D18/56
D674,436	S	1/2013	Takada et al.	D18/56
D696,718	S	12/2013	Murakami et al.	D18/56
D696,719	S	12/2013	Murakami et al.	D18/56
D696,720	S	12/2013	Hayashi et al.	D18/56
D696,721	S	12/2013	Kitagawa et al.	D18/59
D699,284	S	2/2014	Nanjo et al.	D18/56
D767,672	S	9/2016	Nanjo et al.	D18/56
D767,673	S	9/2016	Nanjo et al.	D18/56
D767,674	S	9/2016	Nanjo et al.	D18/56
D767,675	S	9/2016	Nanjo et al.	D18/56
D775,953	S *	1/2017	Ruthe-Steinsiek	D19/192
D786,966	S *	5/2017	Matsushita	D18/56

* cited by examiner

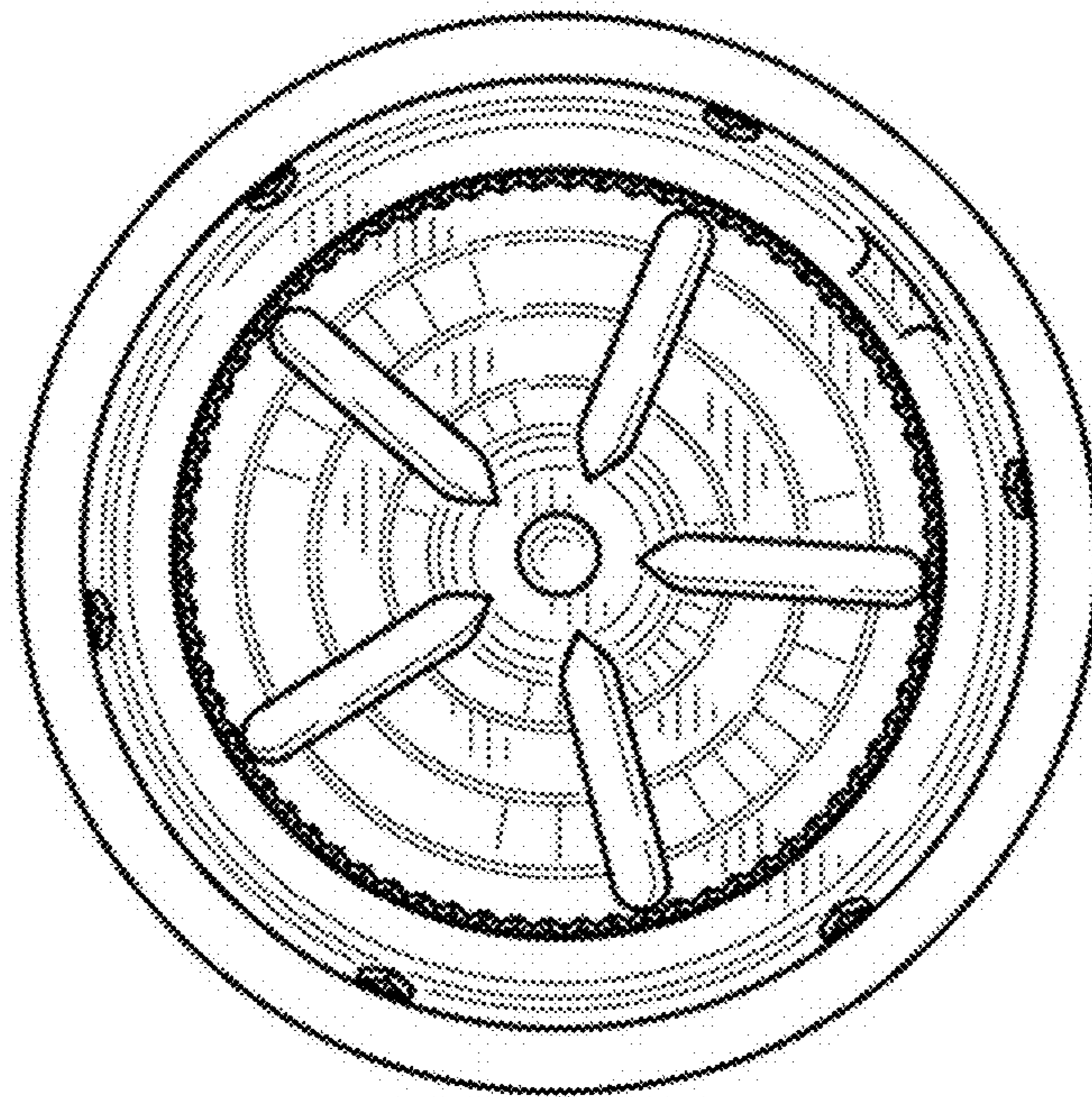
1.1



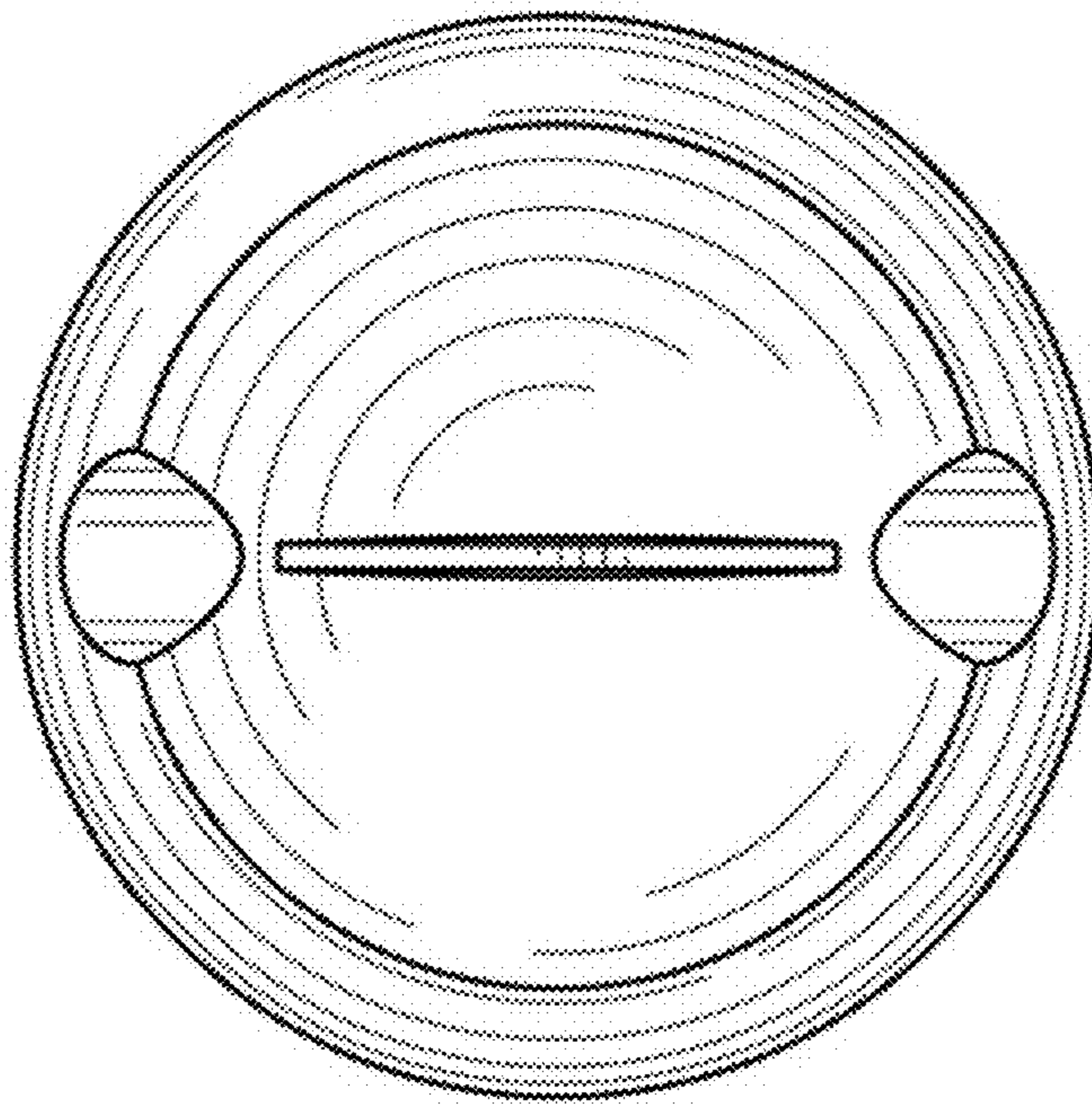
1.2



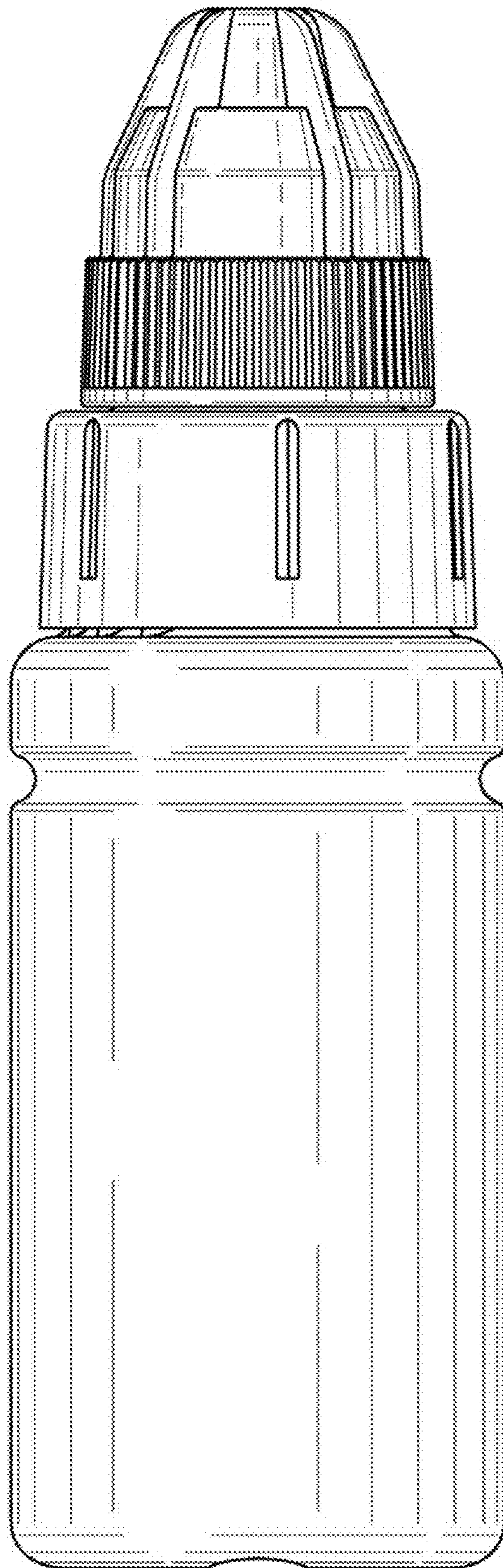
1.3



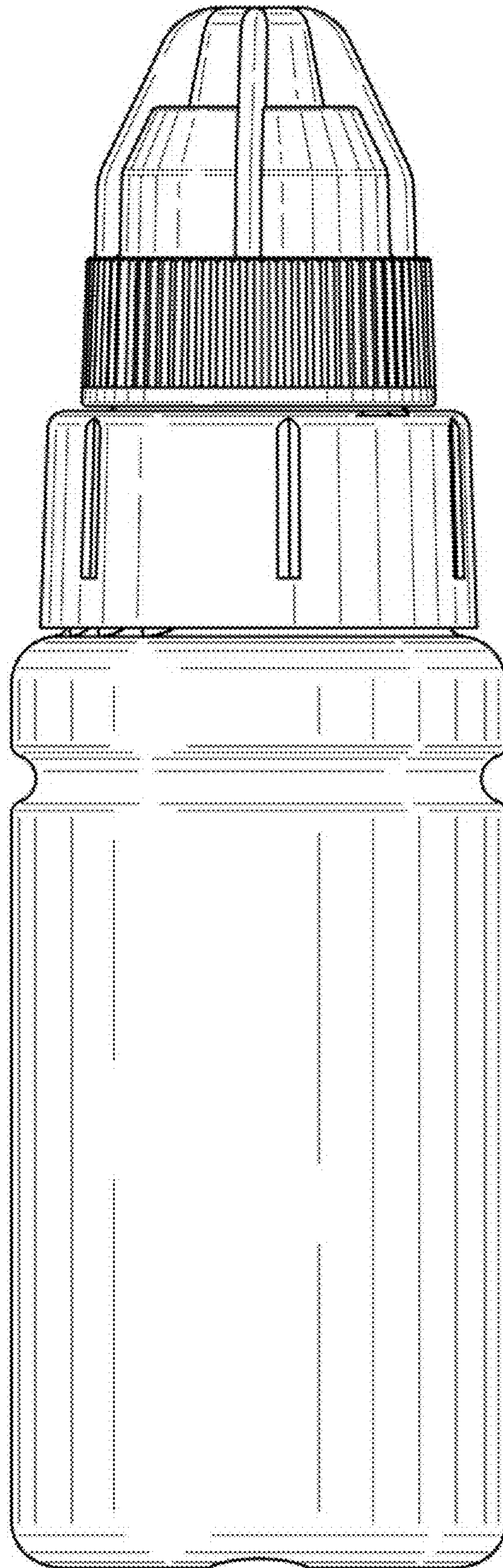
1.4



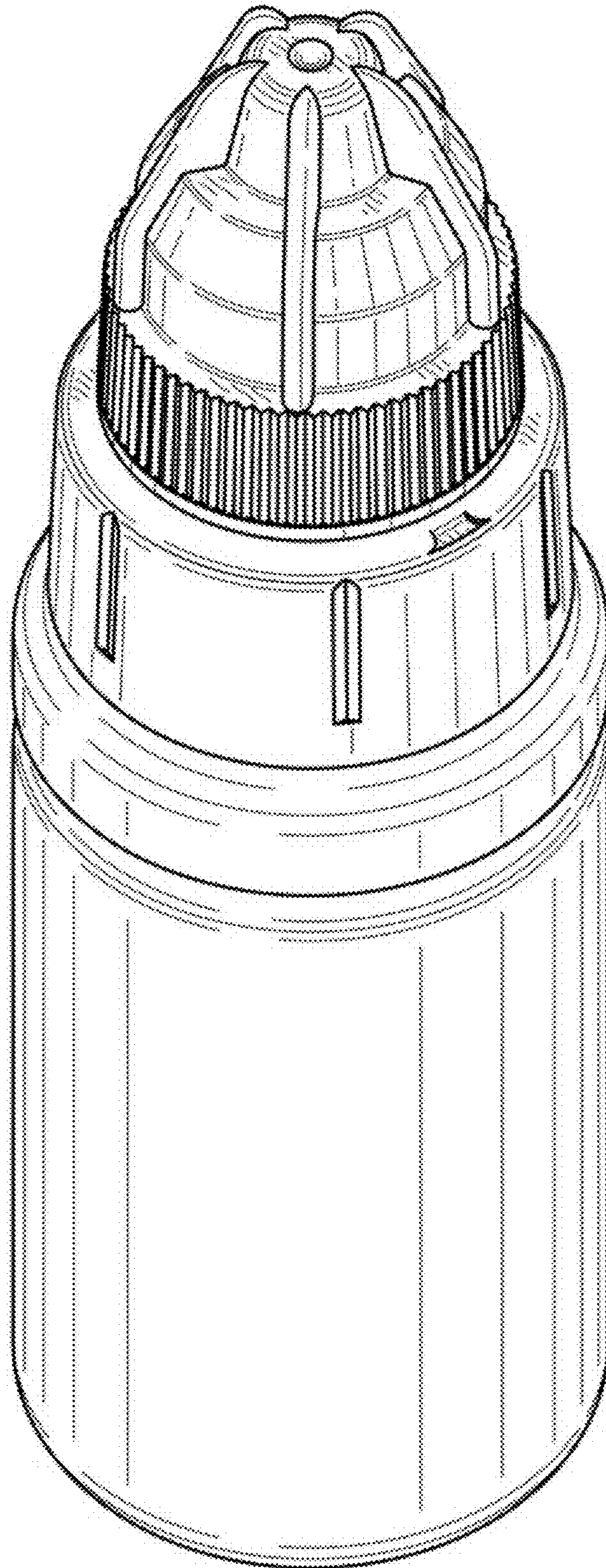
1.5



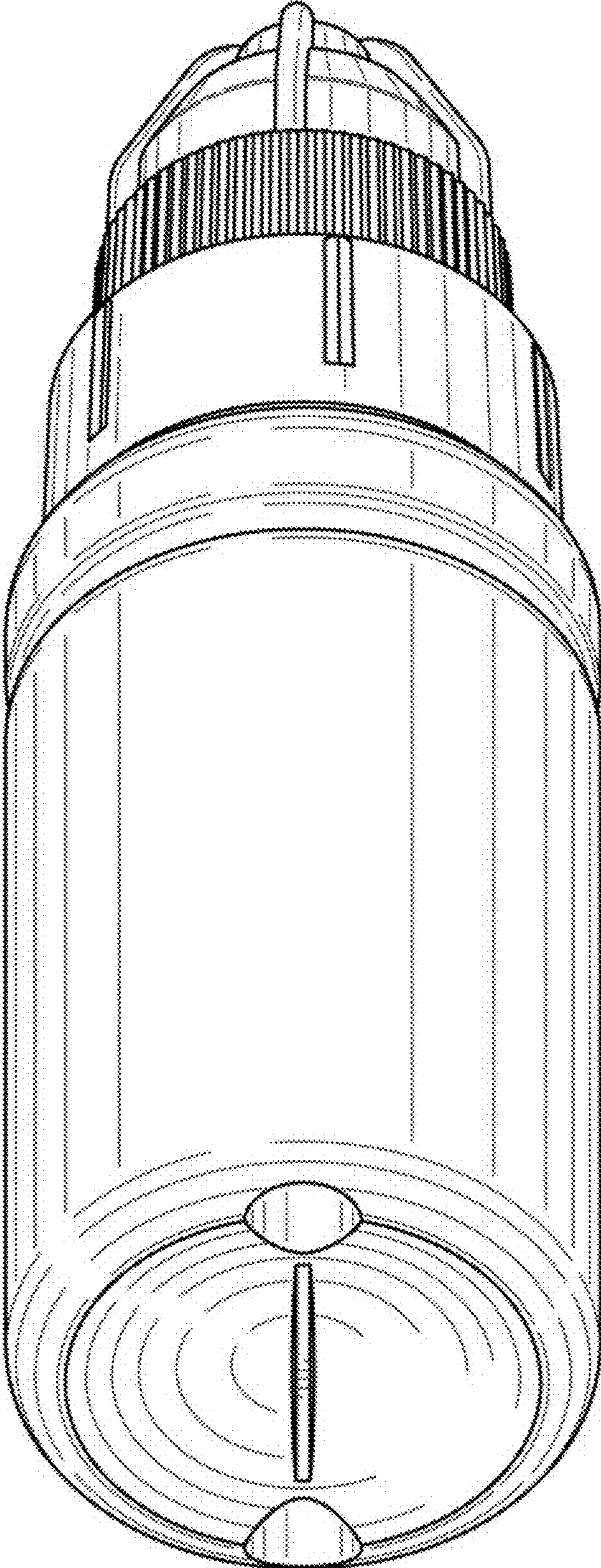
1.6



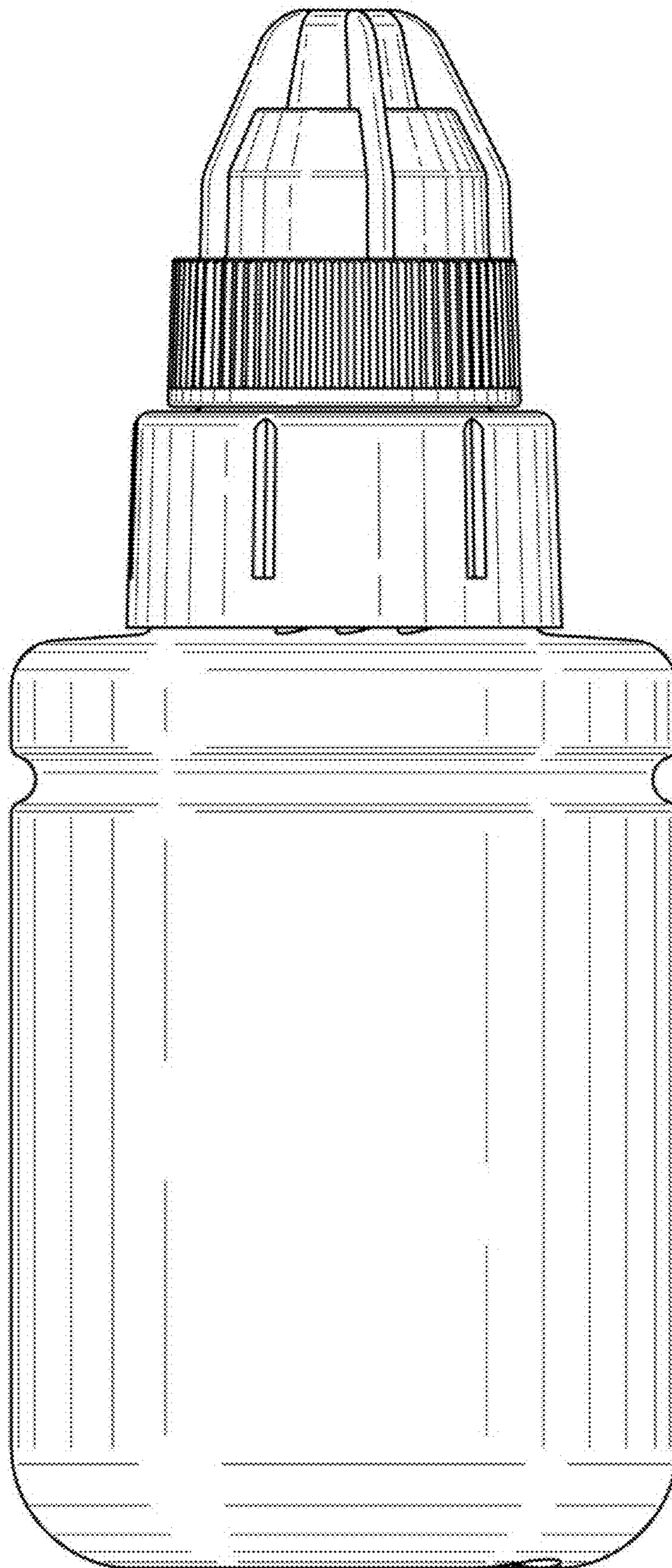
1.7



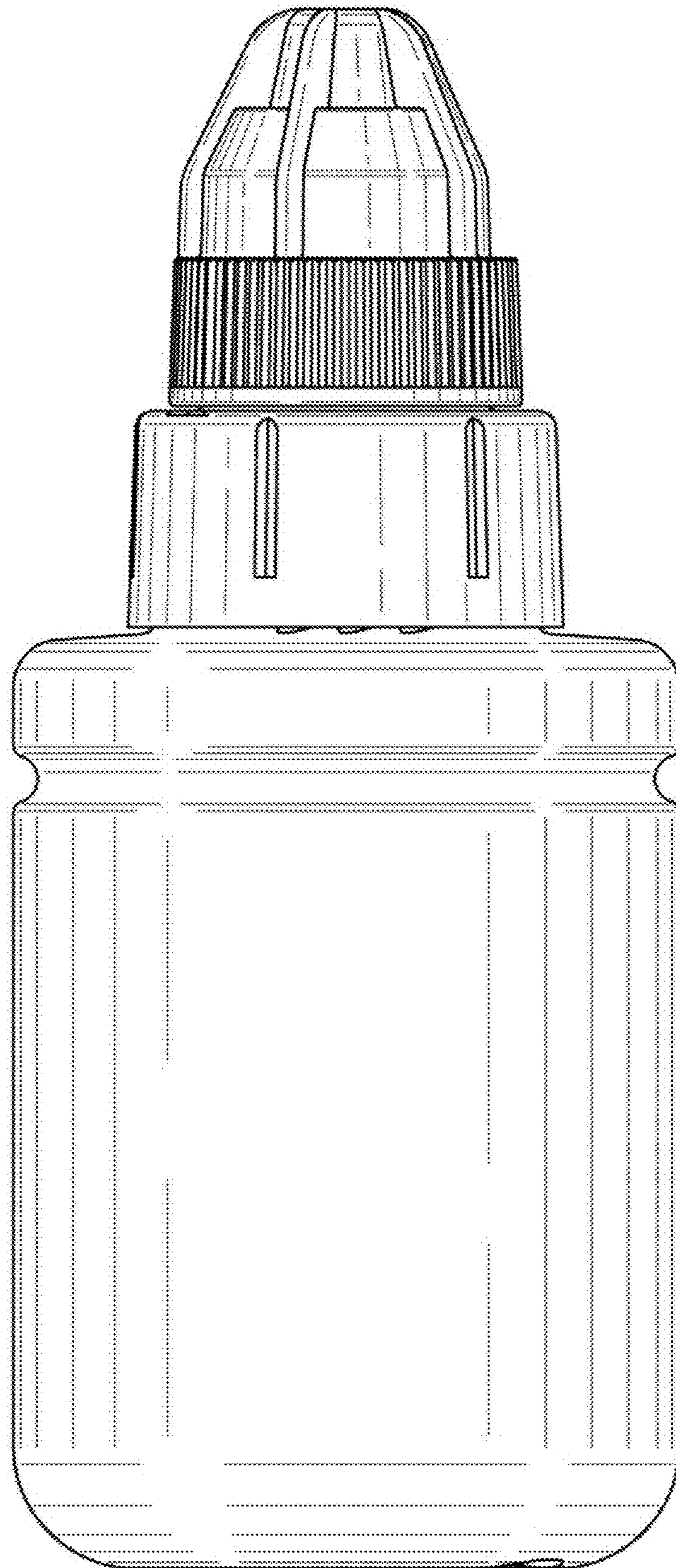
1.8



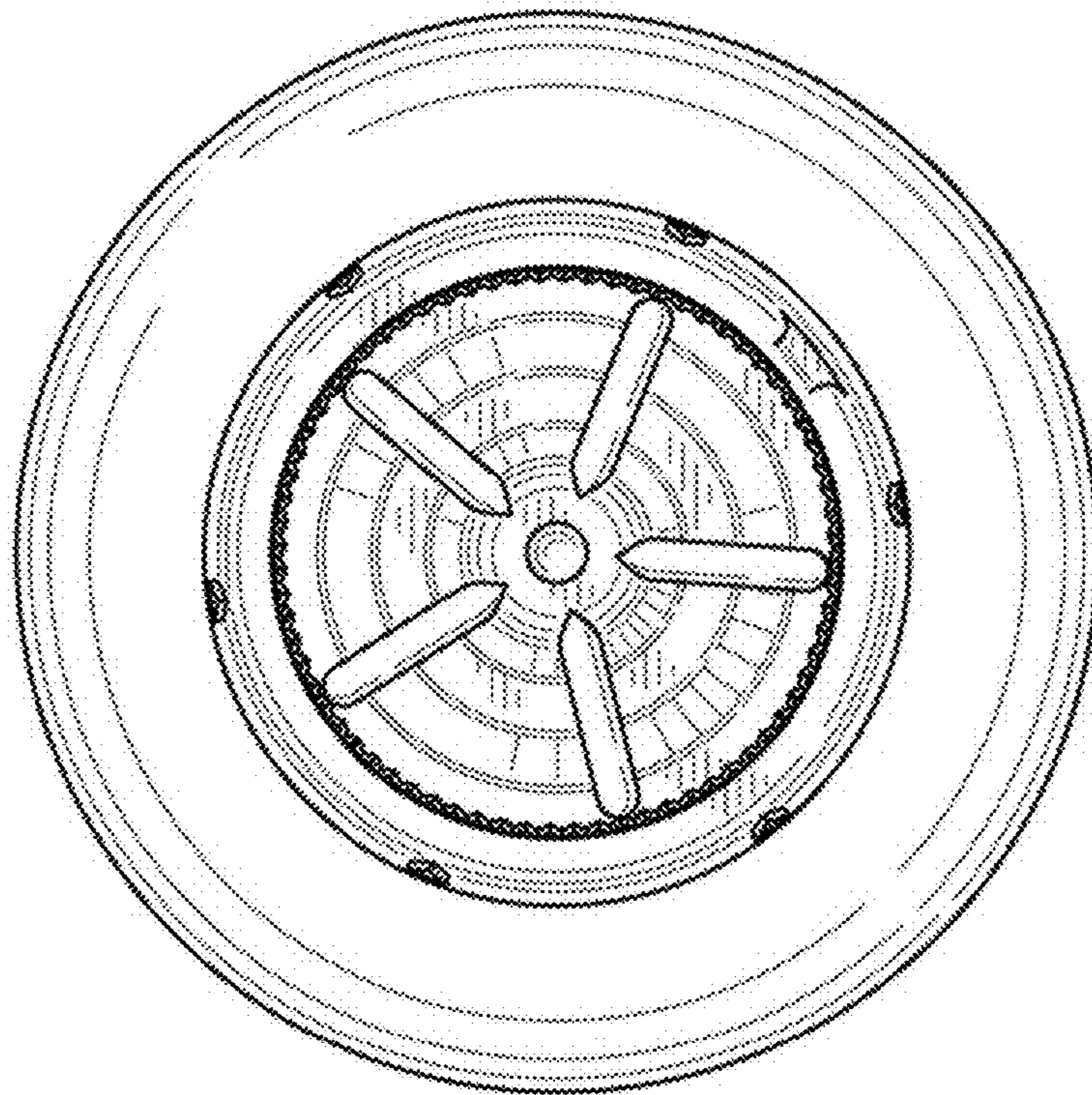
2.1



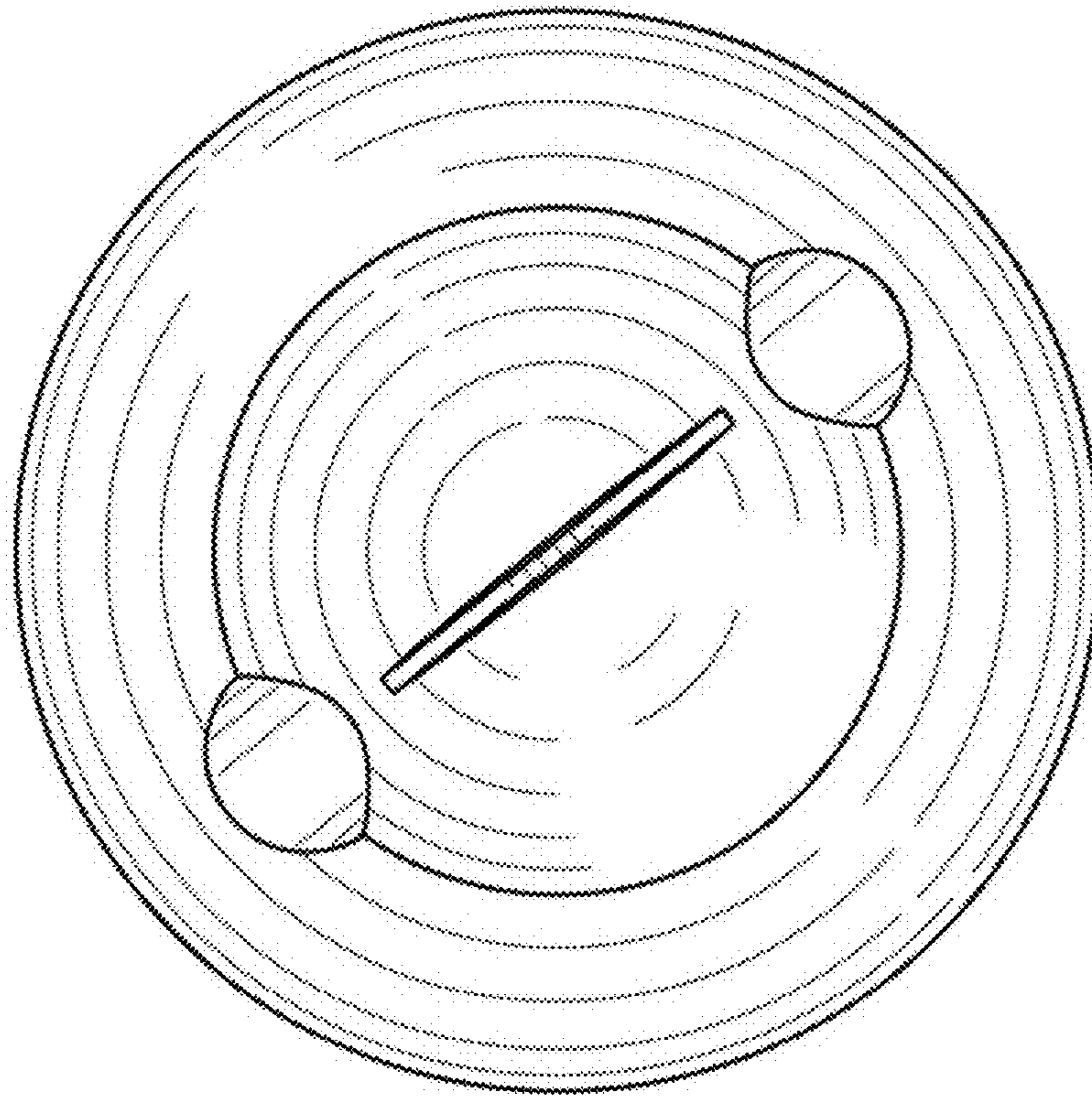
2.2



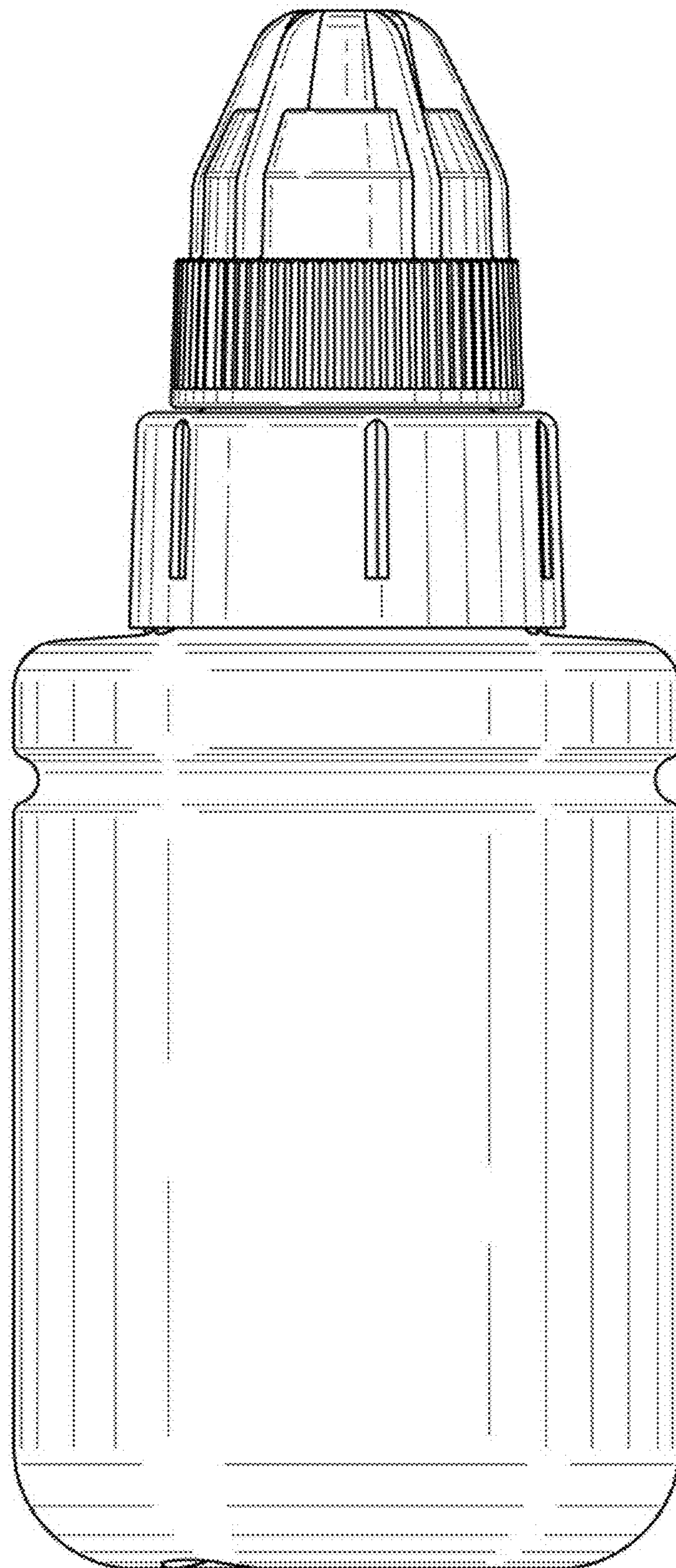
2.3



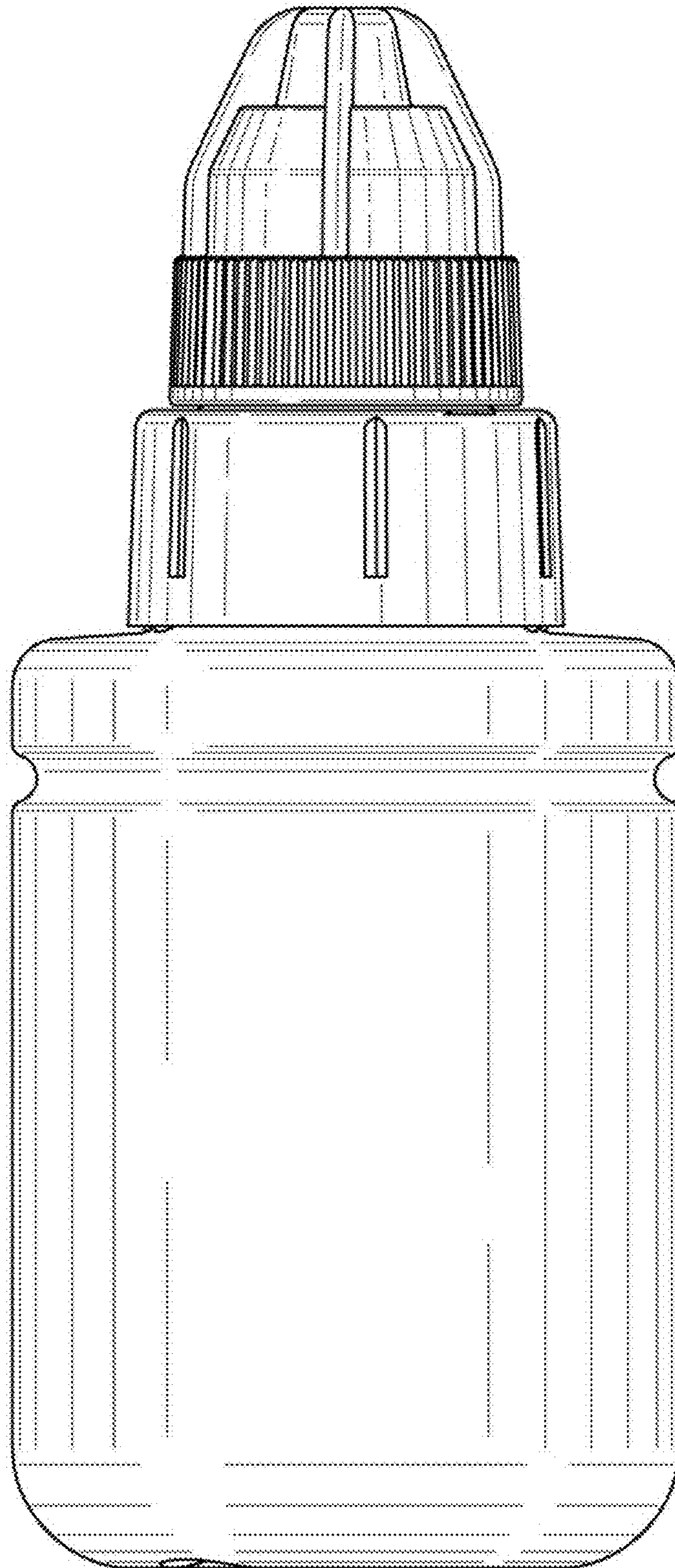
2.4



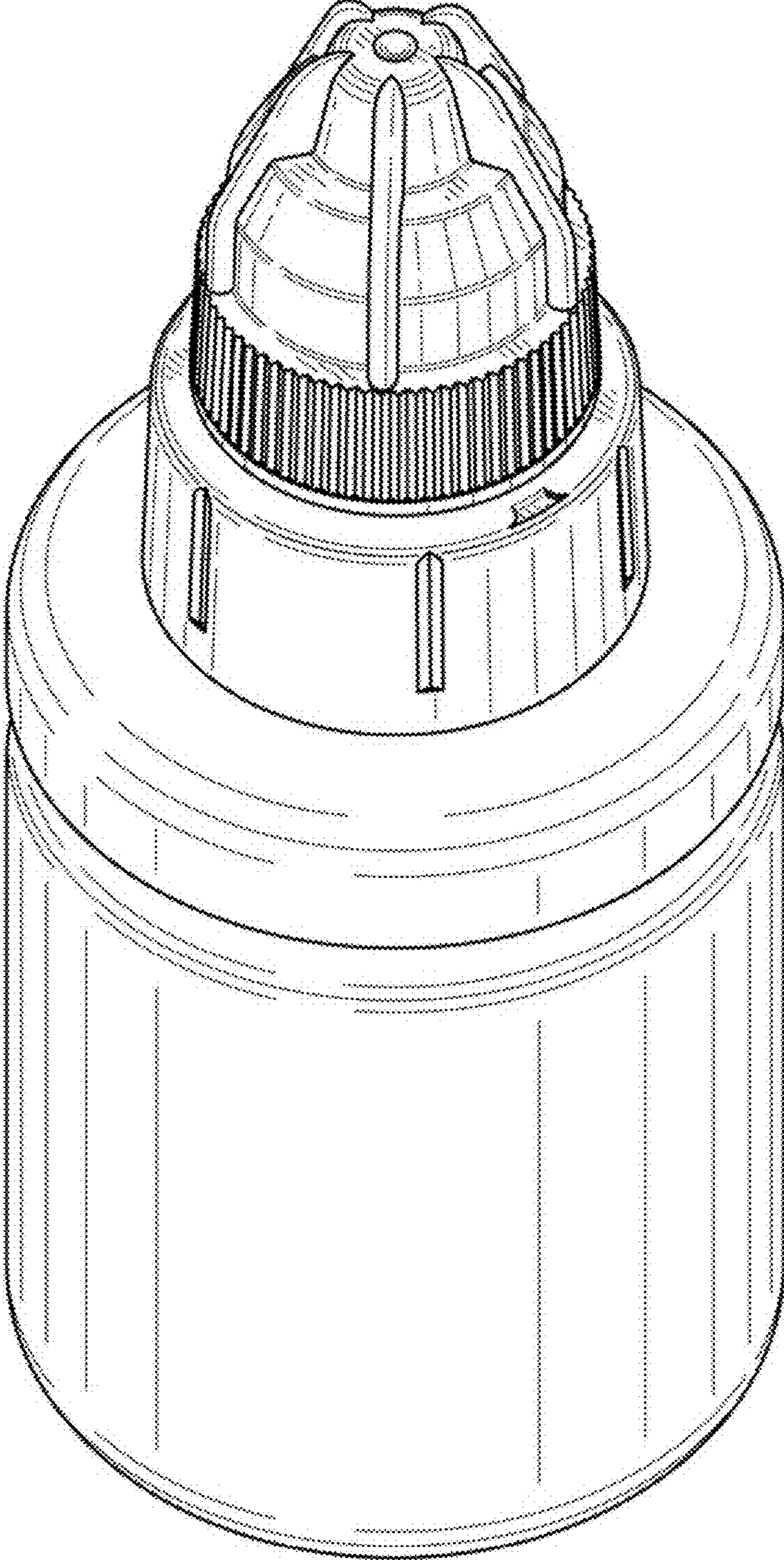
2.5



2.6



2.7



2.8

