



US00D816157S

(12) **United States Design Patent**
Ishizawa et al.

(10) **Patent No.:** **US D816,157 S**
(45) **Date of Patent:** **** Apr. 24, 2018**

- (54) **CAP FOR AN INK CARTRIDGE**
- (71) Applicant: **SEIKO EPSON CORPORATION,**
Tokyo (JP)
- (72) Inventors: **Taku Ishizawa,** Matsumoto (JP); **Shun Oya,** Nagano (JP); **Takumi Nagashima,** Matsumoto (JP); **Atsushi Kobayashi,** Matsumoto (JP)
- (73) Assignee: **SEIKO EPSON CORPORATION,**
Tokyo (JP)
- (**) Term: **15 Years**
- (21) Appl. No.: **29/579,249**
- (22) Filed: **Sep. 29, 2016**
- (30) **Foreign Application Priority Data**
Jul. 15, 2016 (JP) 2016-015175
- (51) **LOC (11) Cl.** **18-02**
- (52) **U.S. Cl.**
USPC **D18/56**
- (58) **Field of Classification Search**
USPC D14/471, 483, 484; D18/12, 18, 36, 40,
D18/43, 44, 56, 58, 99
CPC . B41J 2/17; B41J 2/1721; B41J 2/1572; B41J
2/1754; B41J 2/17503; B41J 2/17553;
B41J 2/17556; B41J 2/16547
See application file for complete search history.

- (56) **References Cited**
U.S. PATENT DOCUMENTS
D473,895 S * 4/2003 Yan 347/85
D473,896 S * 4/2003 Yan 347/85
D476,359 S * 6/2003 Mittler D14/433
D494,216 S * 8/2004 Yan D18/56
D496,685 S * 9/2004 Lui D18/56

- D496,686 S * 9/2004 Lui D18/56
- D517,598 S * 3/2006 Yan 347/85
- 7,128,249 B2 * 10/2006 VanDerMeid B41J 2/17559
225/1
- D535,328 S * 1/2007 Howell D18/56
- D583,408 S * 12/2008 Arkowski D18/56
- D726,252 S 4/2015 Mizutani et al.
- D761,907 S * 7/2016 Oya D18/56
- D769,966 S 10/2016 Mizutani et al.
- 2017/0151800 A1 * 6/2017 Nagashima B41J 2/17509

OTHER PUBLICATIONS

Cartridge Cap (available online) Retrieved from the internet Aug. 3, 2017, retrieved from the internet URL: <http://itstillworks.com/dohp-564-ink-cartridge-6895980.html>.*

* cited by examiner

Primary Examiner — Garth Rademaker
Assistant Examiner — Richard Kearney

(57) **CLAIM**

The ornamental design for a cap for an ink cartridge, as shown and described.

DESCRIPTION

FIG. 1 is a front, top and right side perspective view of a cap for an ink cartridge showing our new design;
FIG. 2 is a rear, bottom and left side perspective view thereof;
FIG. 3 is a front view thereof;
FIG. 4 is a rear view thereof;
FIG. 5 is a top plan view thereof;
FIG. 6 is a bottom plan view thereof;
FIG. 7 is a right side view thereof; and,
FIG. 8 is a left side view thereof.
The broken lines illustrate portions of the cap for an ink cartridge and form no part of the claimed design.

1 Claim, 8 Drawing Sheets

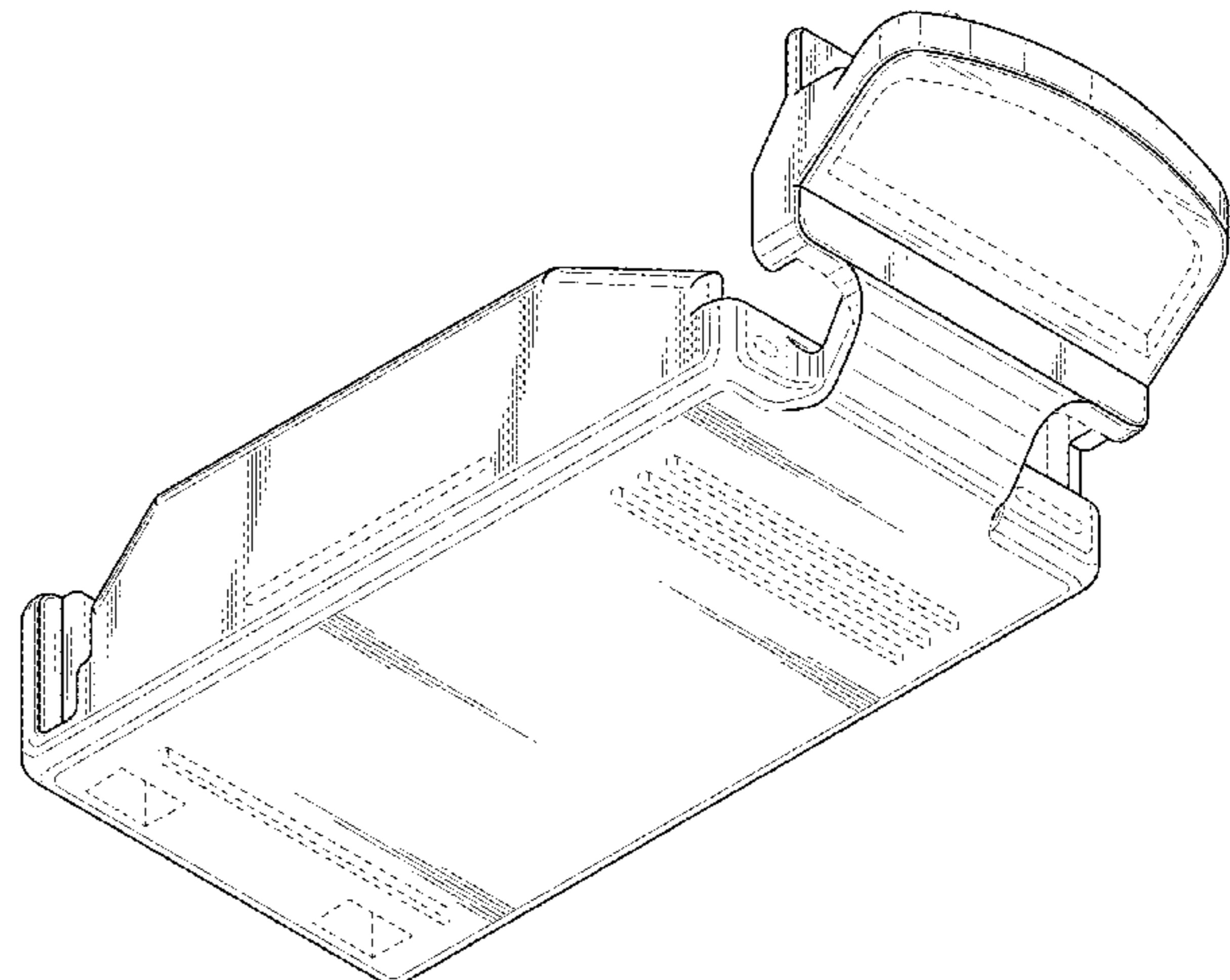
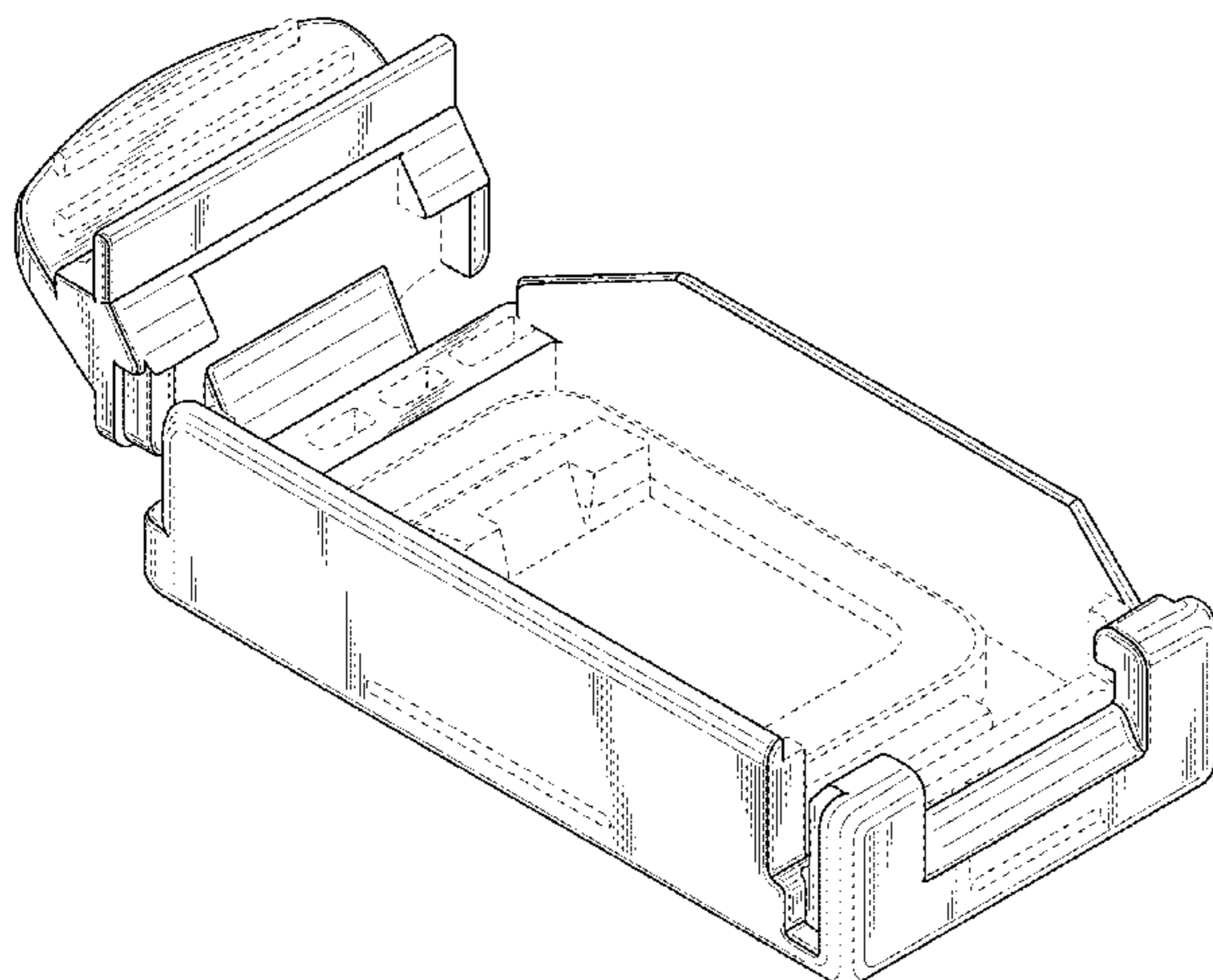


FIG. 1

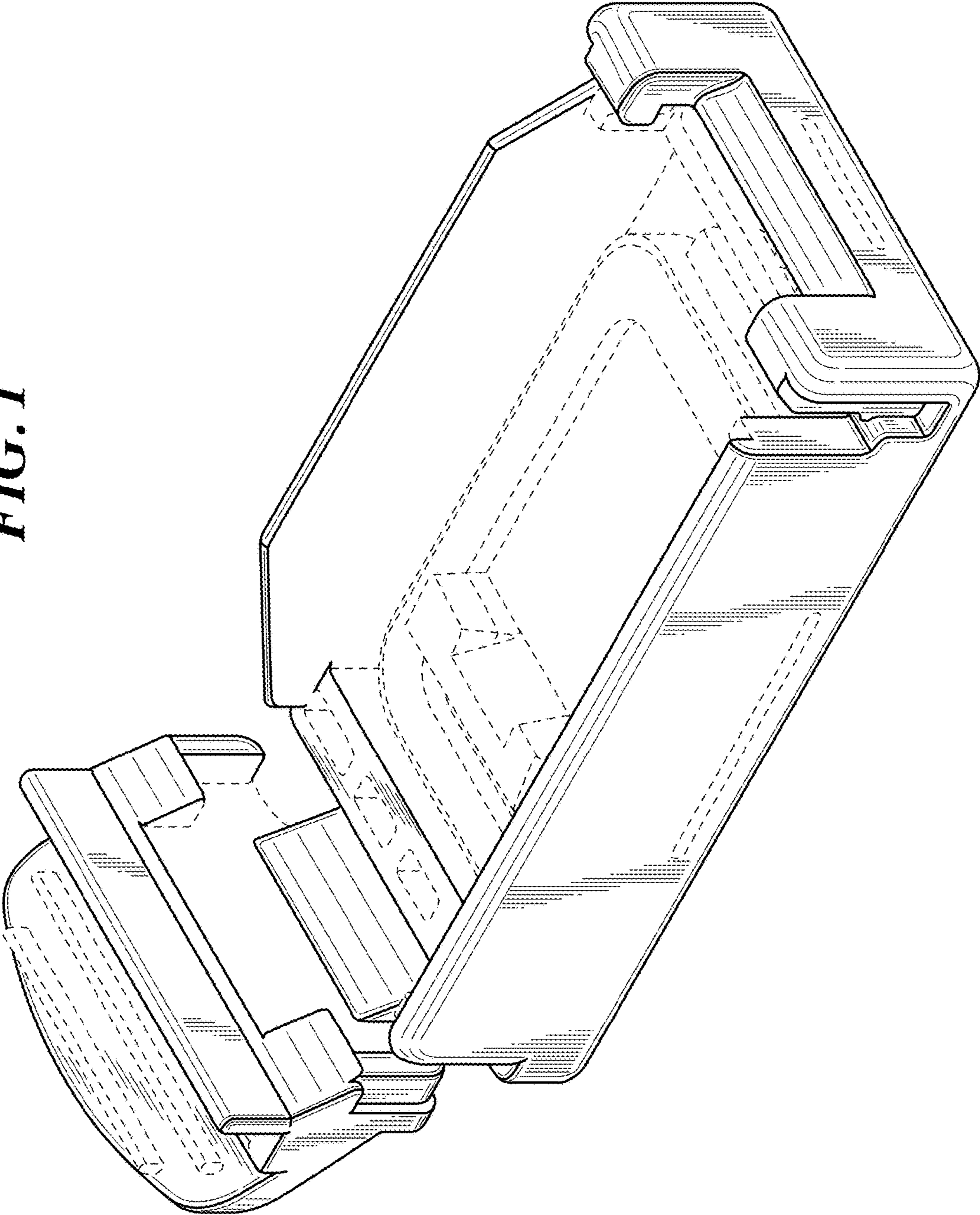


FIG. 2

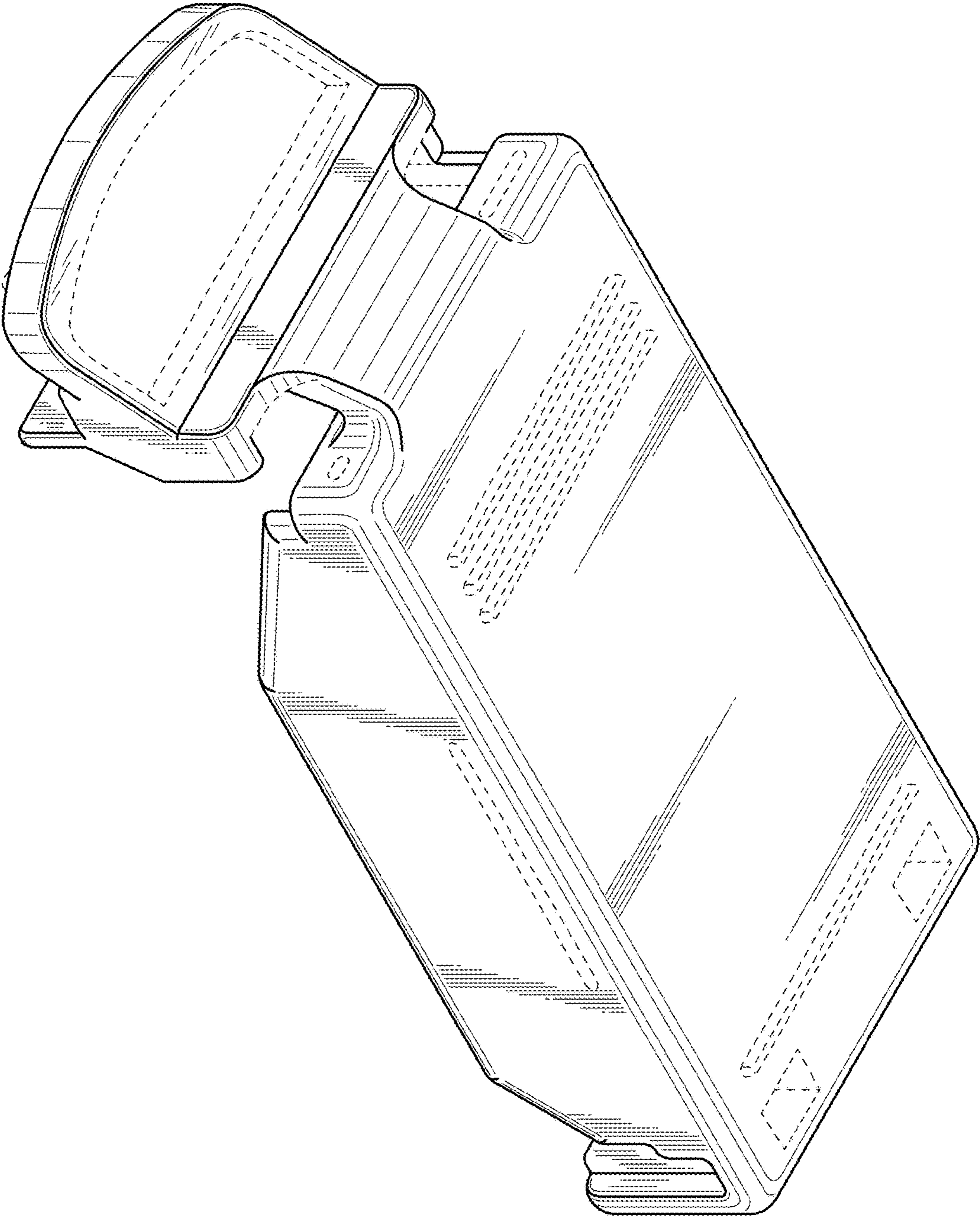
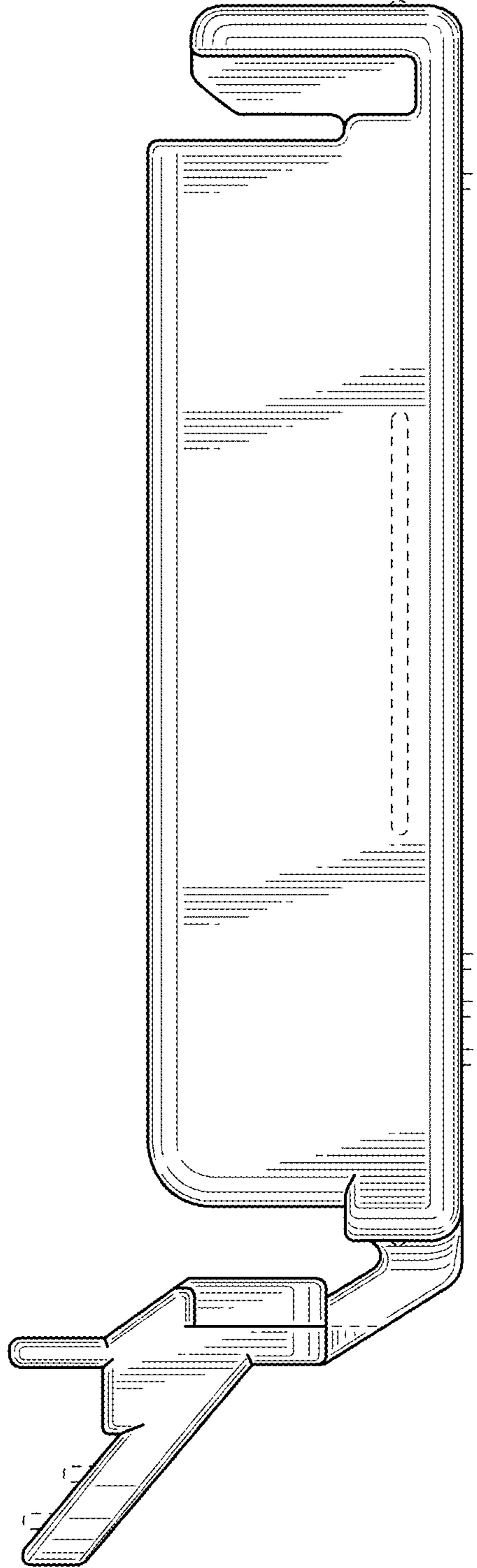


FIG. 3



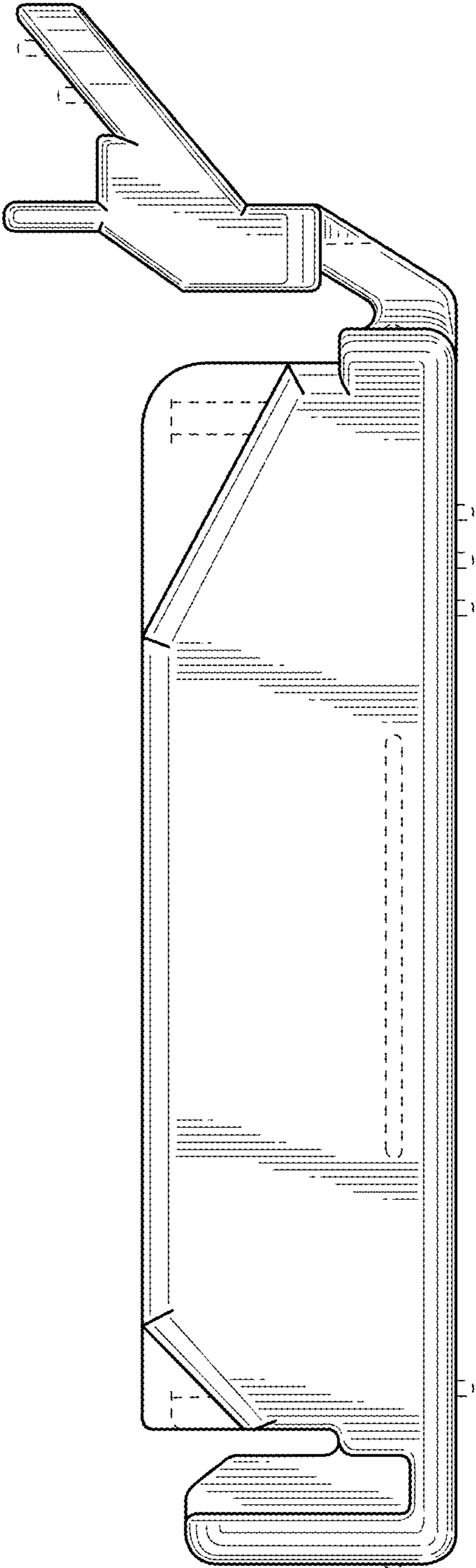


FIG. 4

FIG. 5

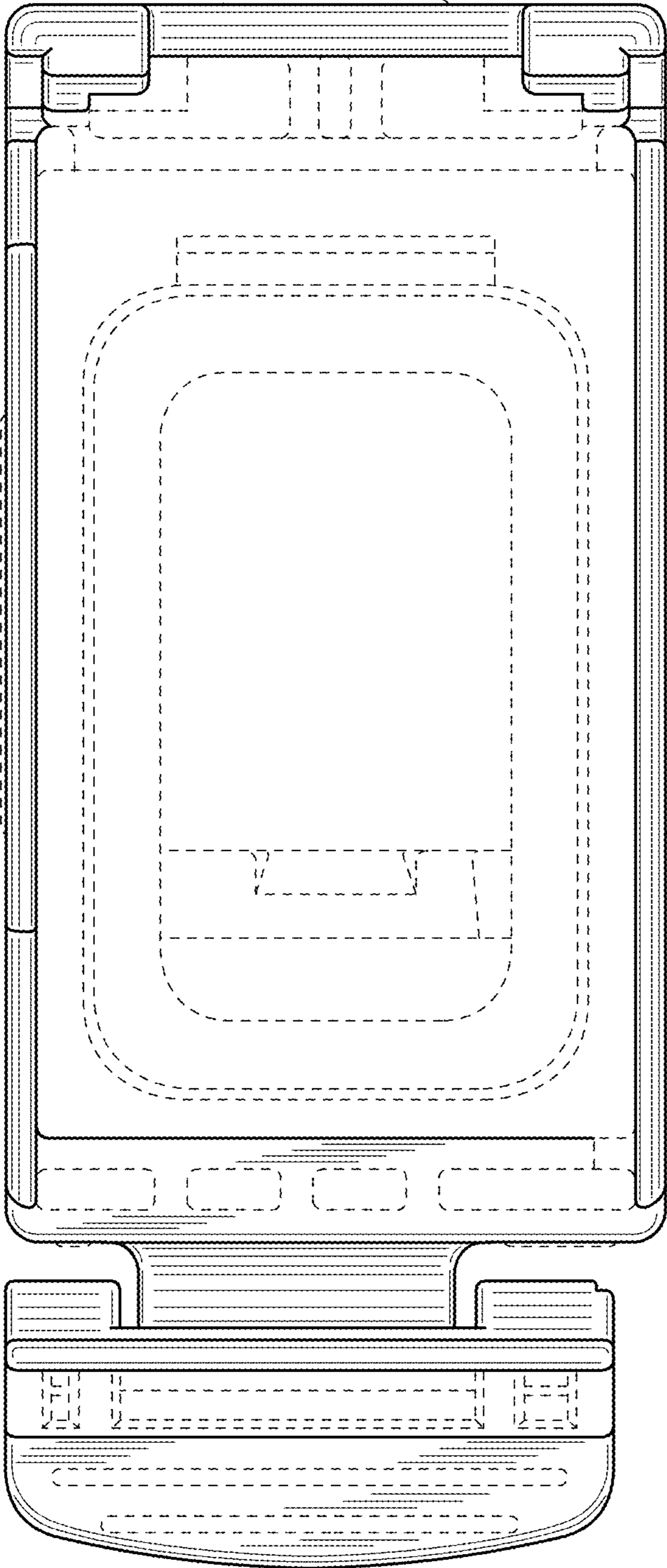


FIG. 6

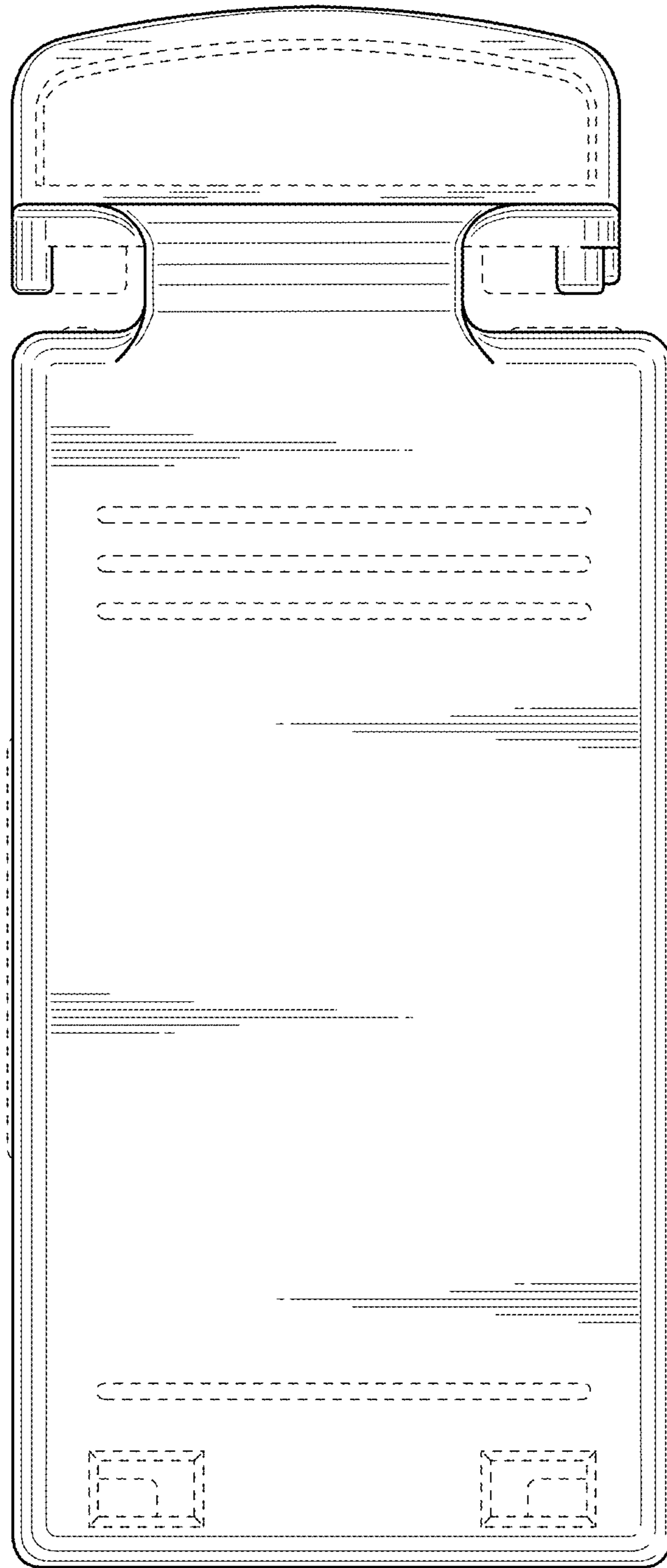


FIG. 7

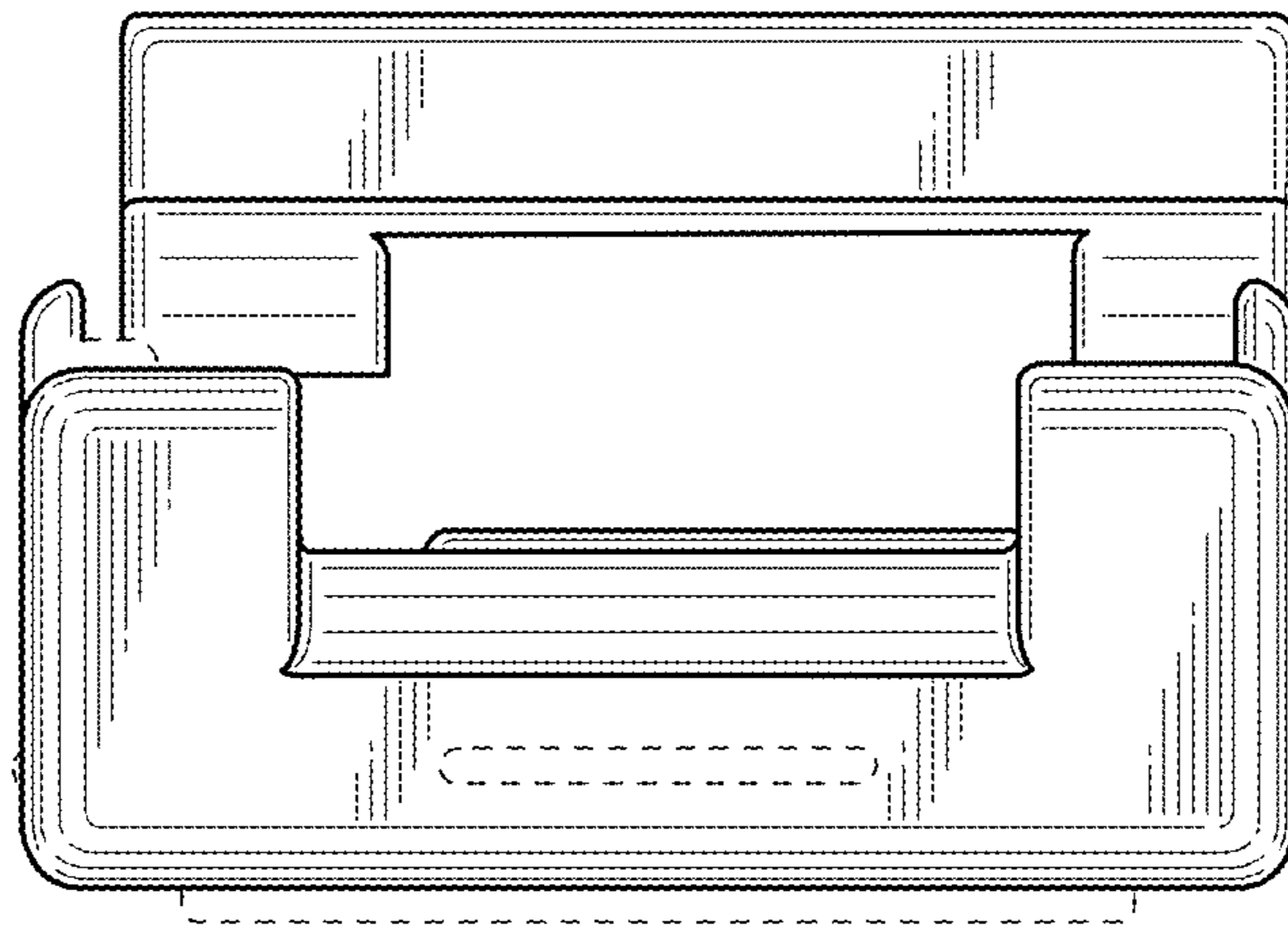


FIG. 8

