



US00D816155S

(12) **United States Design Patent** (10) **Patent No.:** **US D816,155 S**  
**Brown et al.** (45) **Date of Patent:** **\*\* Apr. 24, 2018**

(54) **MULTIFUNCTION PRINTING MACHINE**

(71) Applicant: **XEROX CORPORATION**, Norwalk, CT (US)

(72) Inventors: **Donald A Brown**, Honeoye Falls, NY (US); **Ohgi Kazuyuki**, Kanagawa (JP)

(73) Assignee: **Xerox Corporation**, Norwalk, CT (US)

(\*\*) Term: **15 Years**

(21) Appl. No.: **29/593,999**

(22) Filed: **Feb. 14, 2017**

(51) **LOC (11) Cl.** ..... **18-01**

(52) **U.S. Cl.**  
USPC ..... **D18/50**

(58) **Field of Classification Search**  
USPC ..... D18/50, 54-55, 36-37, 54.1  
CPC ..... G06K 15/12; G06K 15/14; B41J 11/58; B41J 15/042  
See application file for complete search history.

D653,704 S \* 2/2012 Seki ..... D18/55  
D736,311 S \* 8/2015 Yamada ..... D18/50  
D749,169 S \* 2/2016 Kil ..... D18/55  
D749,172 S \* 2/2016 Nakagawa ..... D18/55  
D750,164 S \* 2/2016 So ..... D18/50  
D795,954 S \* 8/2017 Hirota ..... D18/55  
D805,578 S \* 12/2017 Mita ..... D18/55  
D806,789 S \* 1/2018 Hirota ..... D18/50  
2017/0274685 A1 \* 9/2017 Hirose ..... B41J 15/042

\* cited by examiner

*Primary Examiner* — Robin V Webster  
*Assistant Examiner* — James C Thorn, Sr.

(57) **CLAIM**

The ornamental design for a multifunction printing machine, as shown and described.

**DESCRIPTION**

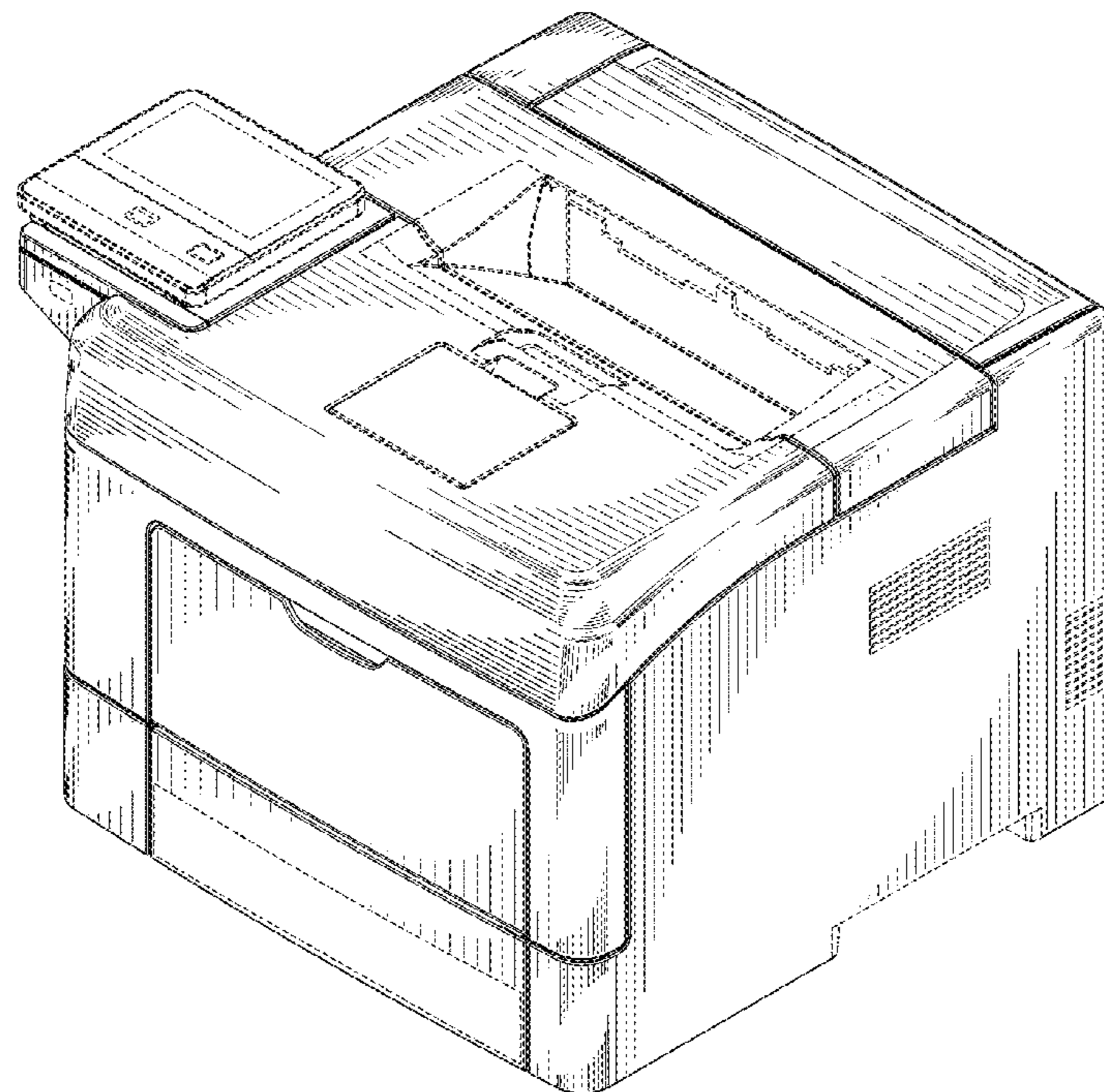
FIG. 1 is a perspective view of a multifunction printing machine in accordance with the present invention;  
FIG. 2 is a front view thereof;  
FIG. 3 is a right side view thereof;  
FIG. 4 is a rear view thereof;  
FIG. 5 is a left side view thereof;  
FIG. 6 is a top plan view thereof; and,  
FIG. 7 is a bottom plan view thereof.  
The broken lines in the drawings depict environmental subject matter, are for illustrative purposes only and form no part of the claimed design.

**1 Claim, 7 Drawing Sheets**

(56) **References Cited**

U.S. PATENT DOCUMENTS

D351,189 S \* 10/1994 Yamaguchi ..... D18/55  
D430,596 S \* 9/2000 Shiozaki ..... D18/39  
D437,349 S \* 2/2001 Saito ..... D18/55  
D521,060 S \* 5/2006 Katayama ..... D18/55



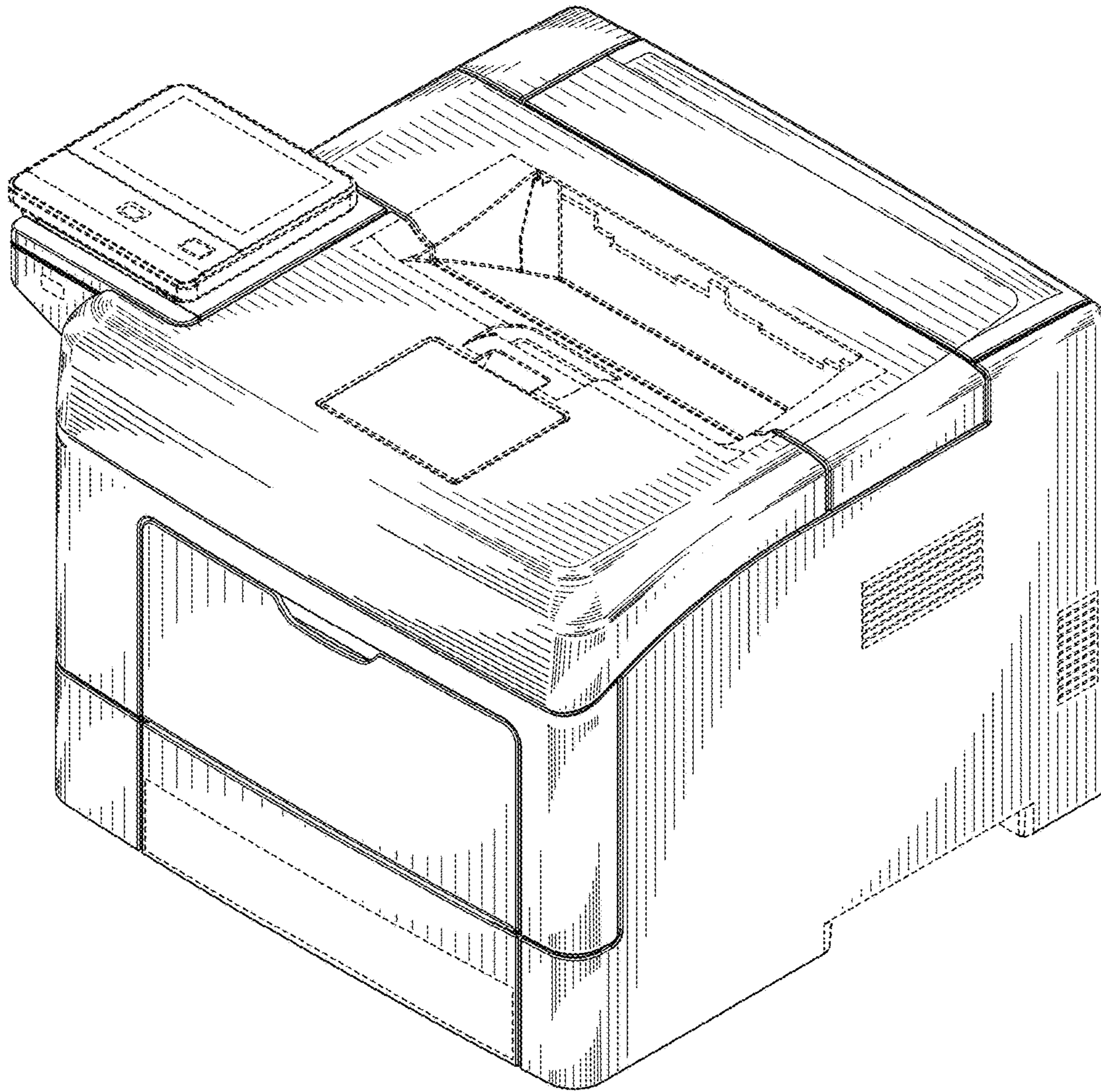


FIG. 1

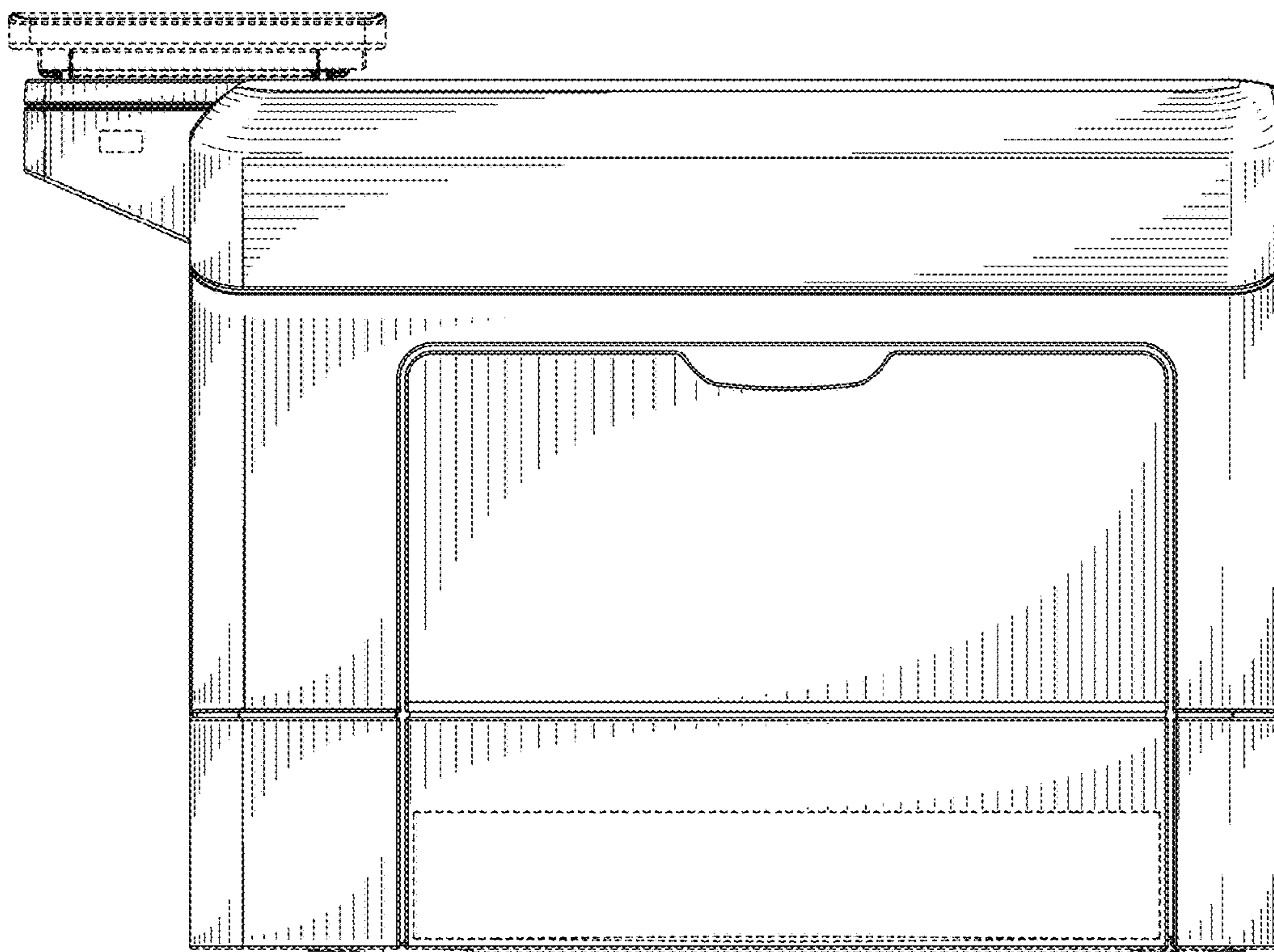


FIG. 2

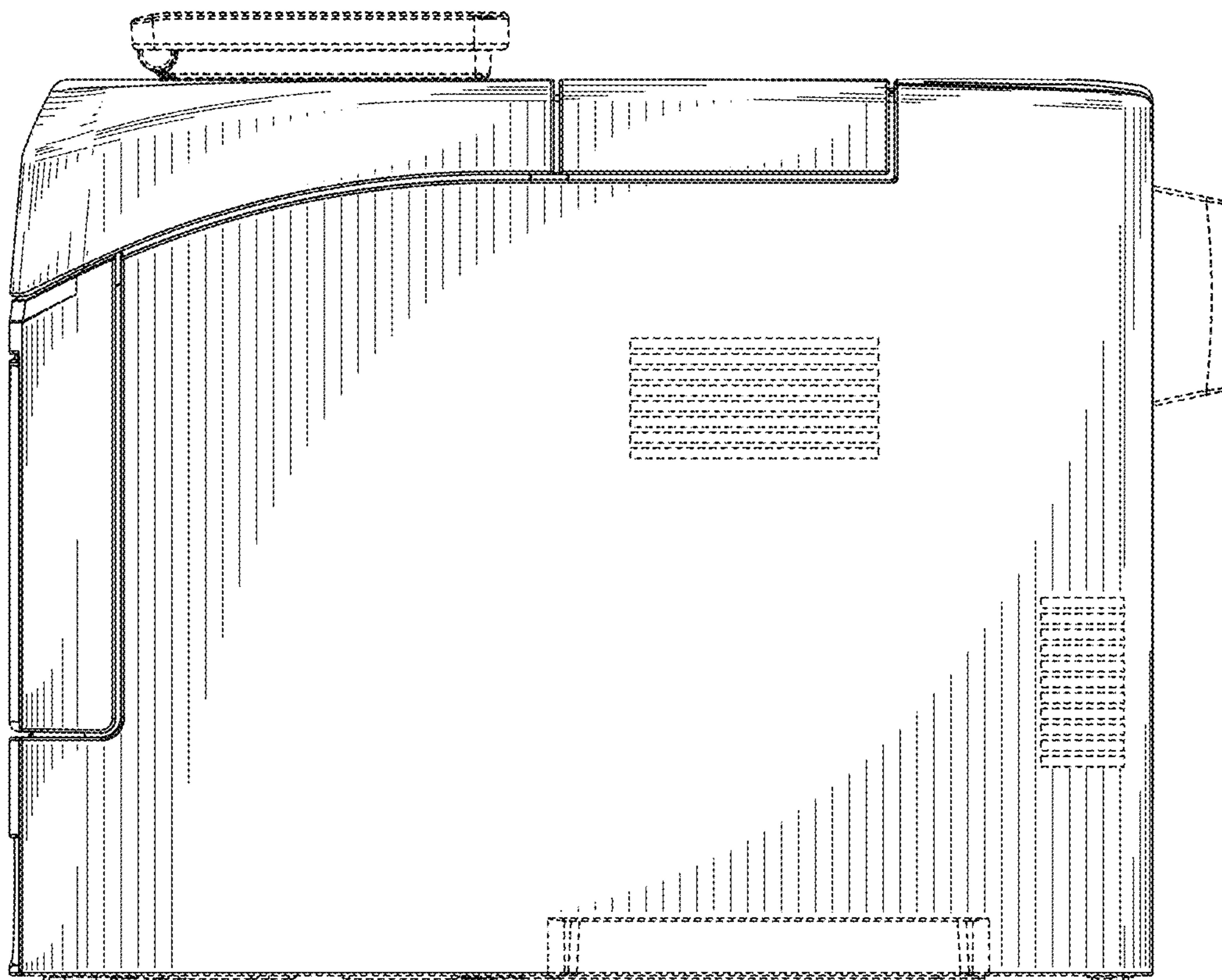


FIG. 3

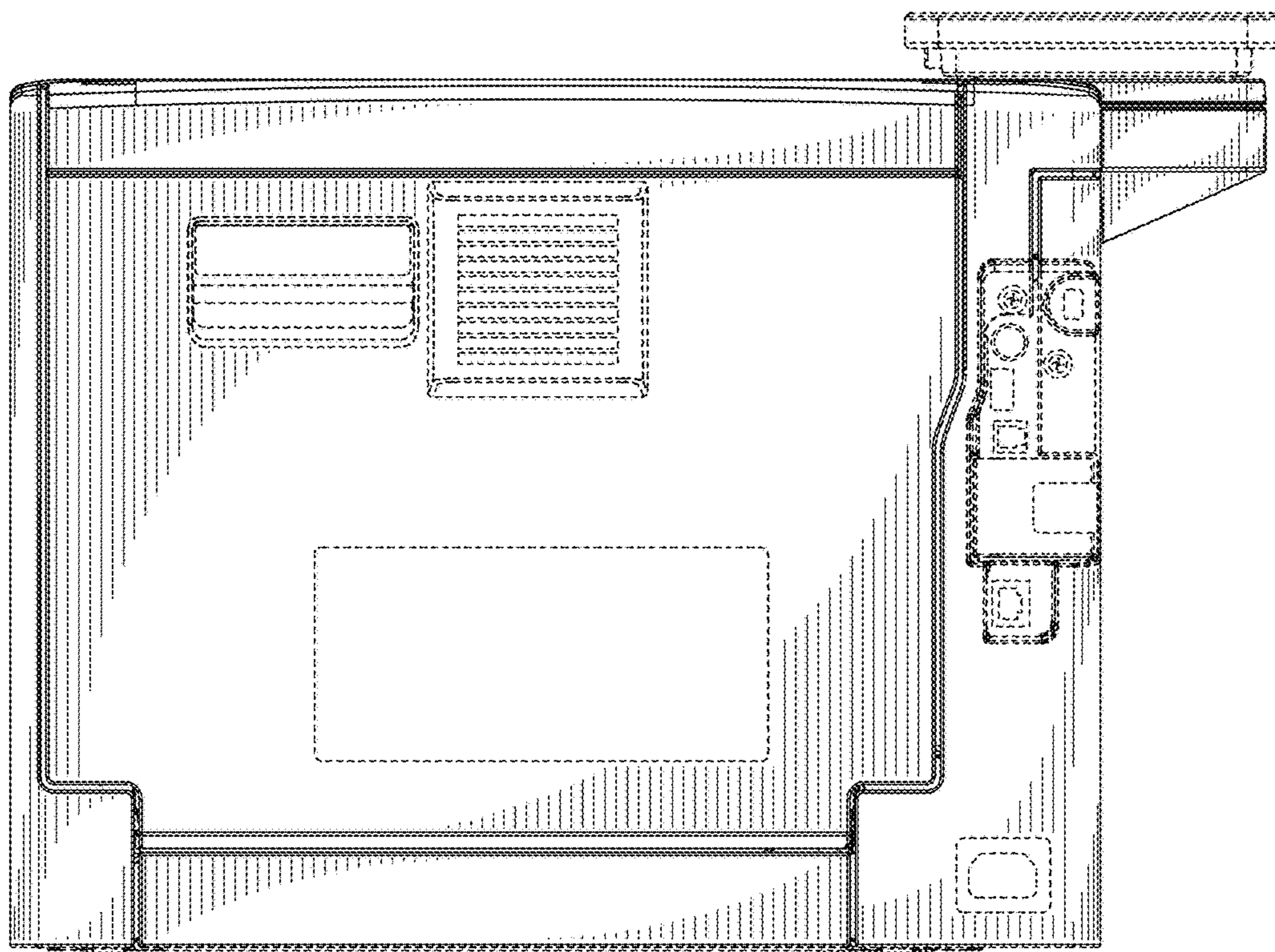


FIG. 4

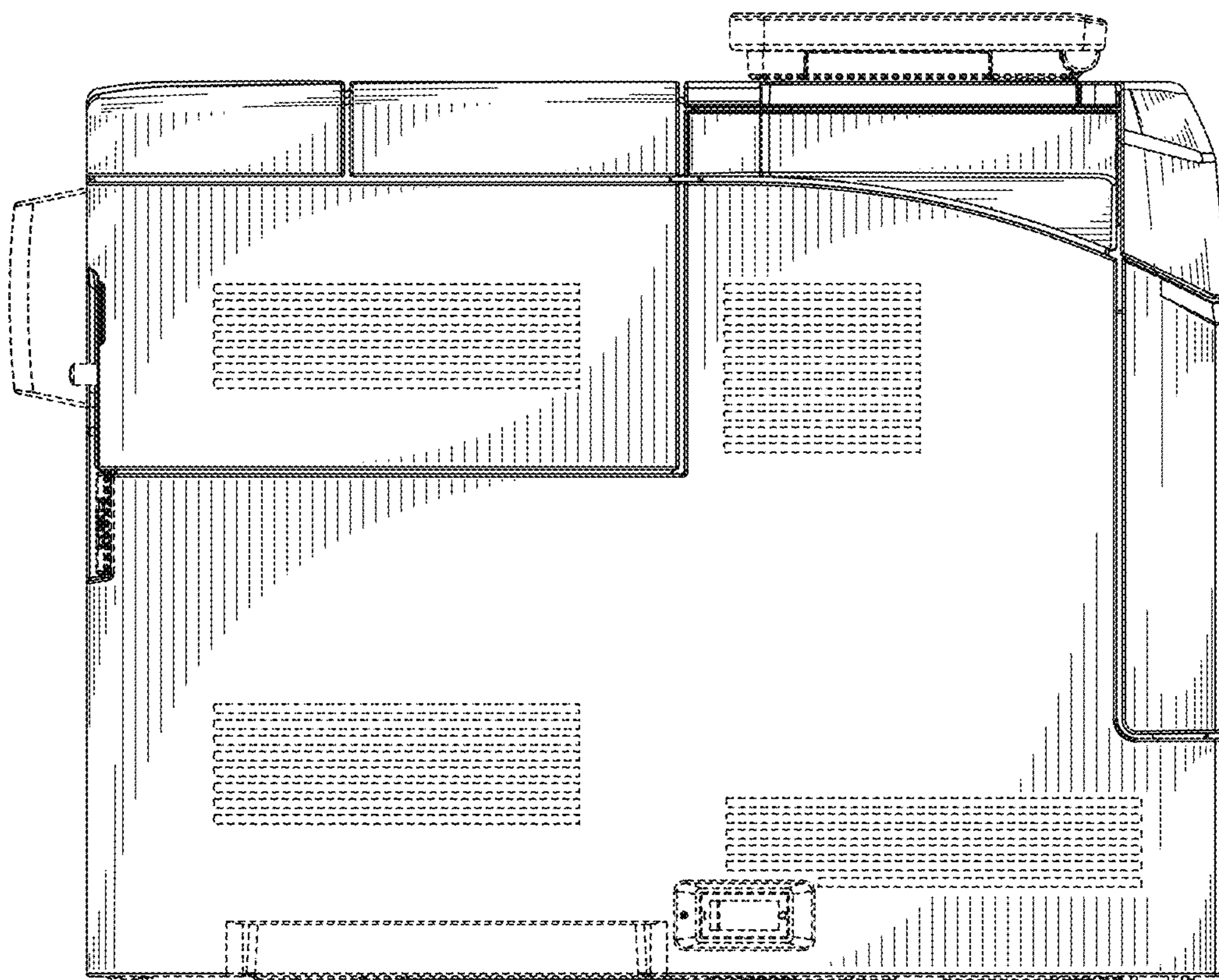


FIG. 5

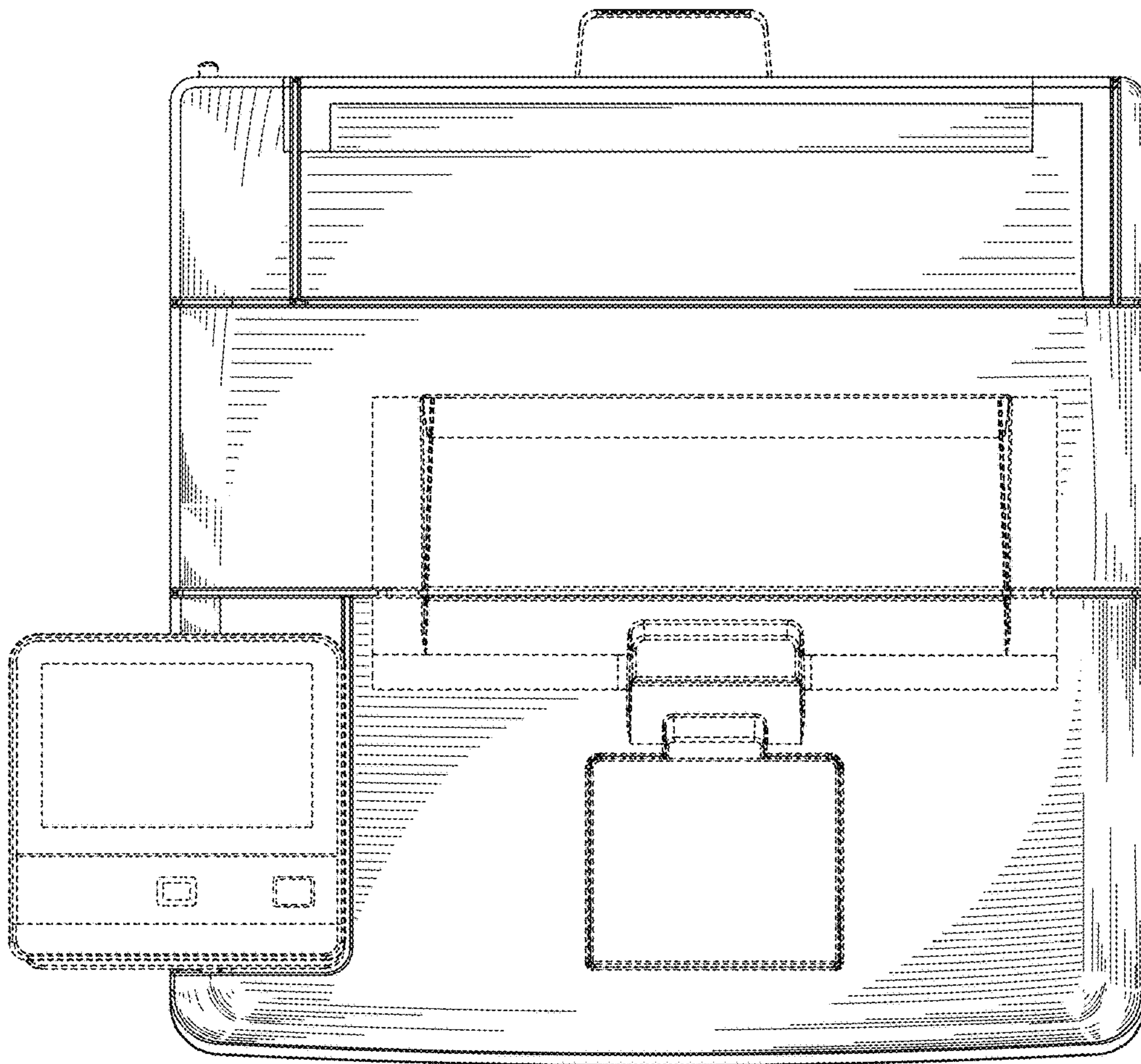


FIG. 6

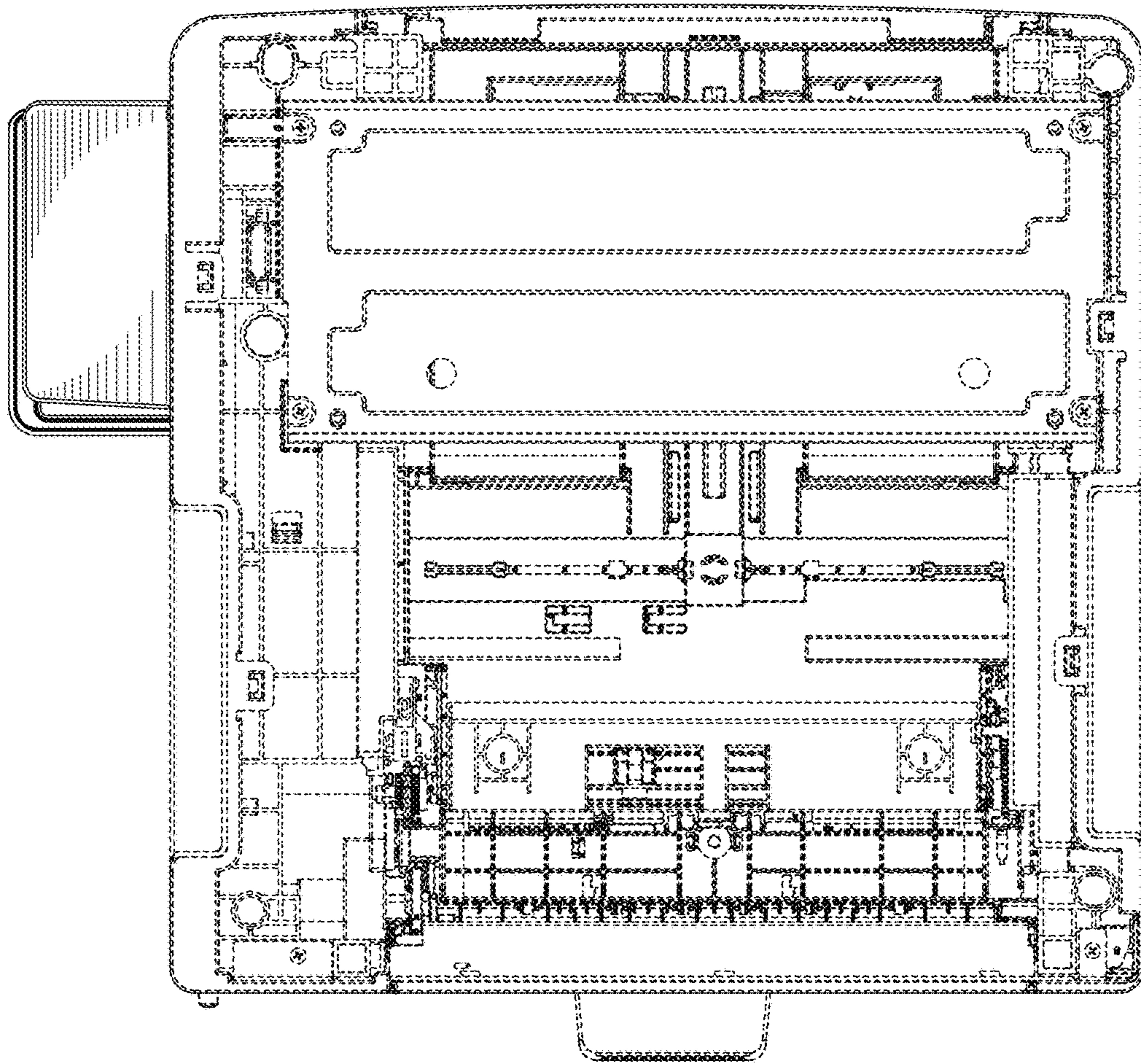


FIG. 7