



US00D816152S

(12) **United States Design Patent**  
**Huang**

(10) **Patent No.:** **US D816,152 S**

(45) **Date of Patent:** **\*\* Apr. 24, 2018**

(54) **EYEGLASS FRAME**

(71) Applicant: **Wen-Tse Huang**, Kaohsiung (TW)

(72) Inventor: **Wen-Tse Huang**, Kaohsiung (TW)

(\*\*) Term: **15 Years**

(21) Appl. No.: **29/531,188**

(22) Filed: **Jun. 24, 2015**

(51) **LOC (11) Cl.** ..... **16-06**

(52) **U.S. Cl.**  
USPC ..... **D16/334**

(58) **Field of Classification Search**  
USPC ..... D16/101, 300–342, 900; D29/109–110;  
D21/483, 659–661; D14/372; 351/41,  
351/44, 45–48, 51–52, 62, 158, 92,  
351/103–123, 140–153, 63, 59; 2/13, 15,  
2/426–432, 447–449, 441, 434–437  
CPC ..... G02C 2200/08; G02C 1/06; G02C 5/14;  
G02C 11/02; G02C 11/04; G02C 5/16;  
G02C 2200/22; G02C 5/146; G02C  
5/2254; G02C 5/008; G01C 5/16; A61M  
2021/0044; A63B 33/002  
See application file for complete search history.

(56) **References Cited**

U.S. PATENT DOCUMENTS

D121,637 S \* 7/1940 Reynolds ..... D16/334  
5,844,655 A \* 12/1998 Chang ..... G02C 5/2209  
351/113  
D516,605 S \* 3/2006 Marc ..... D16/334  
D682,924 S \* 5/2013 Cheung ..... D16/334  
D741,399 S \* 10/2015 Ho ..... D16/335

D745,083 S \* 12/2015 Yoo ..... D16/326  
D749,669 S \* 2/2016 Ho ..... D16/332  
D757,157 S \* 5/2016 Huang ..... D16/330  
D763,951 S \* 8/2016 Chae ..... D16/335  
D767,015 S \* 9/2016 Chim ..... D16/323  
D771,735 S \* 11/2016 Lee ..... D16/309  
2005/0251960 A1 \* 11/2005 Kanou ..... G02C 5/008  
16/228

\* cited by examiner

*Primary Examiner* — Michelle E Wilson

*Assistant Examiner* — Sanjeev Paul

(74) *Attorney, Agent, or Firm* — Alan D. Kamrath;  
Kamrath IP Lawfirm, P.A.

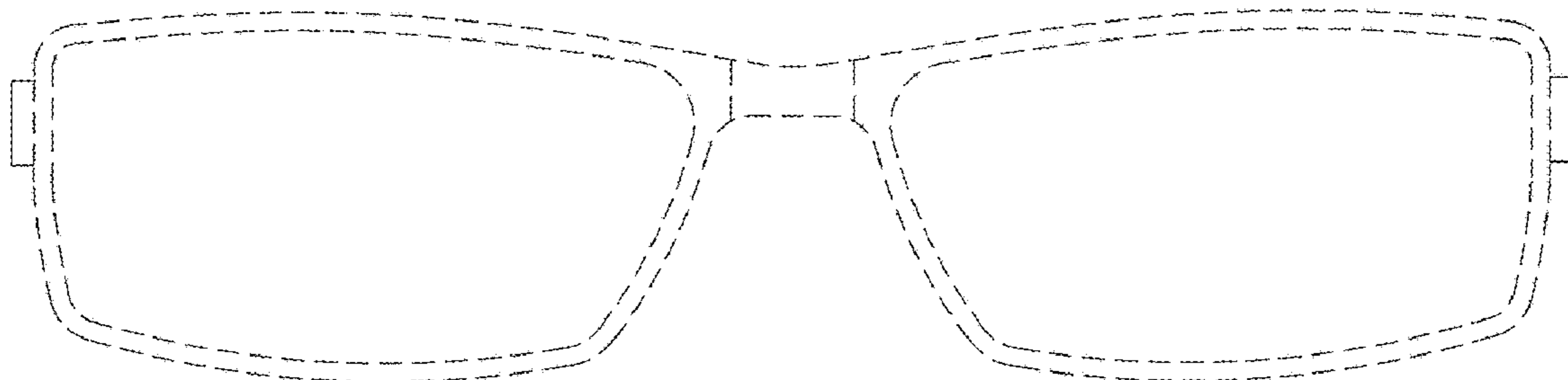
(57) **CLAIM**

The ornamental design for an eyeglass frame, as shown and described.

**DESCRIPTION**

FIG. 1 is a front elevational view of an eyeglass frame showing my design;  
FIGS. 2 and 3 are enlarged perspective views thereof;  
FIGS. 4 and 5 are enlarged rear elevational views thereof;  
FIG. 6 is an enlarged left elevational view thereof;  
FIG. 7 is an enlarged right elevational view thereof;  
FIG. 8 is an enlarged top plan view thereof;  
FIG. 9 is an enlarged bottom plan view thereof; and,  
FIG. 10 is another enlarged perspective view thereof.  
The broken lines shown in the drawings are included for the purpose of illustrating unclaimed portions of the eyeglass frame and form no part of the claimed design.

**1 Claim, 7 Drawing Sheets**



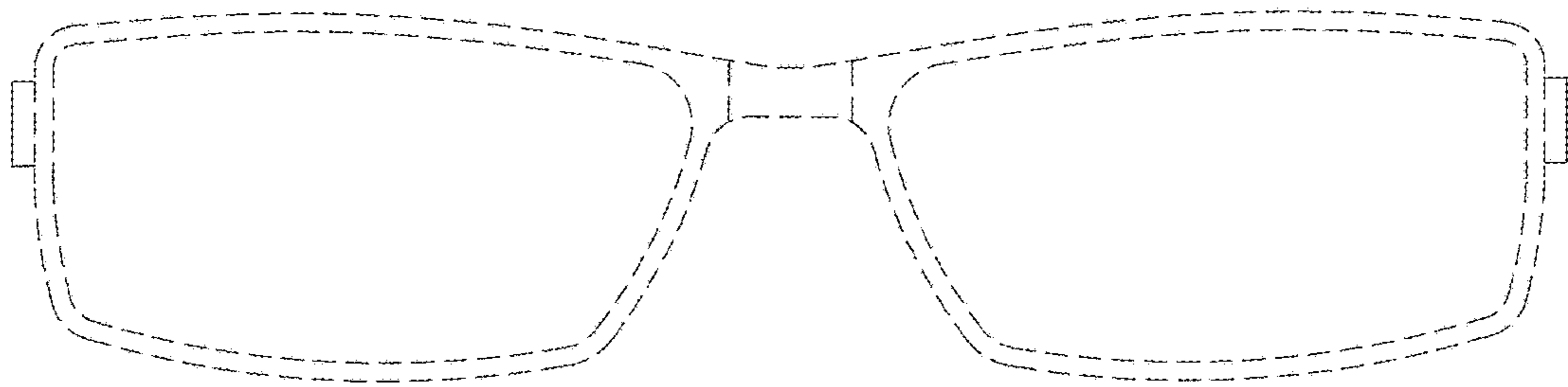


FIG.1

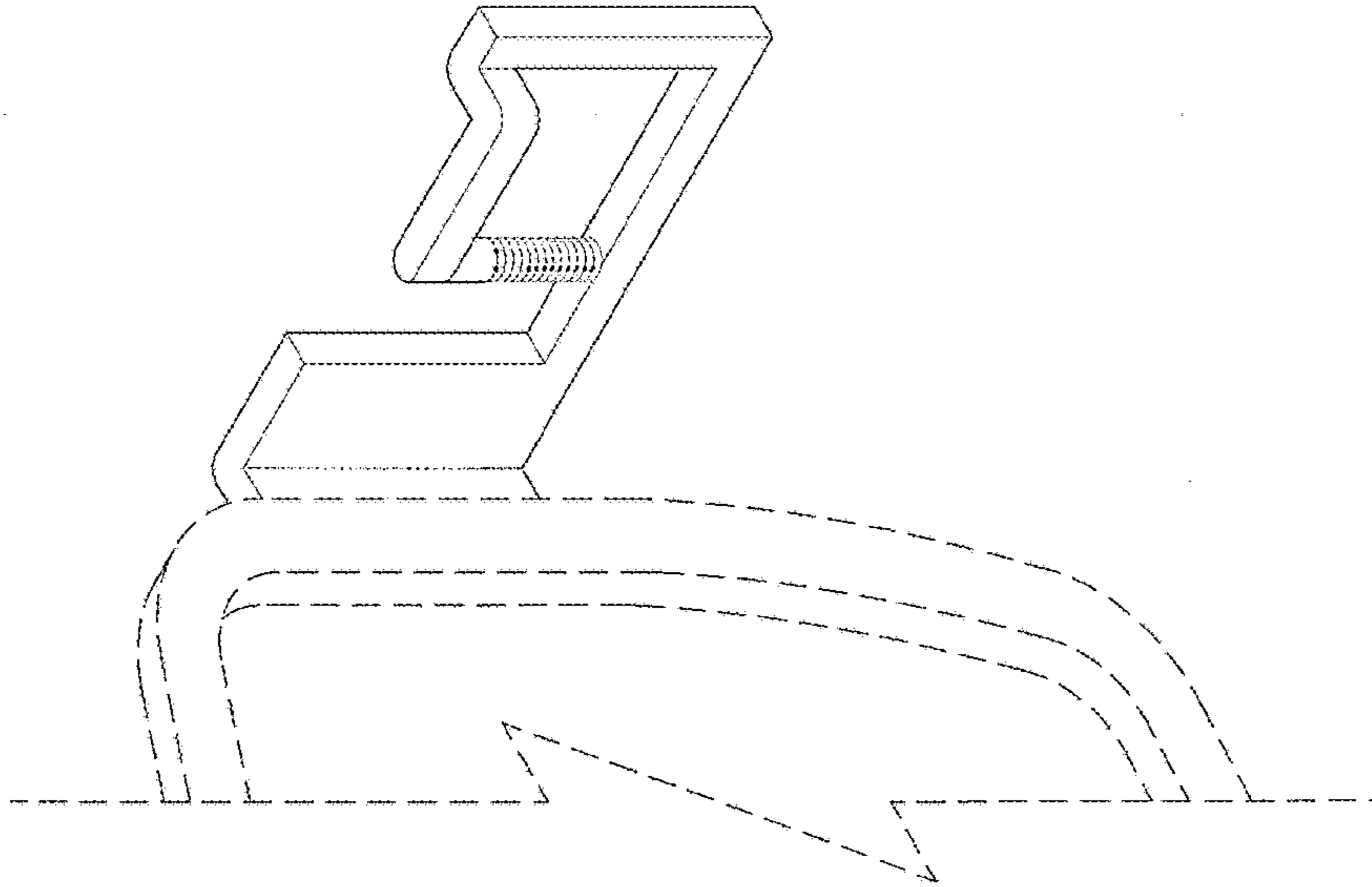


FIG.3

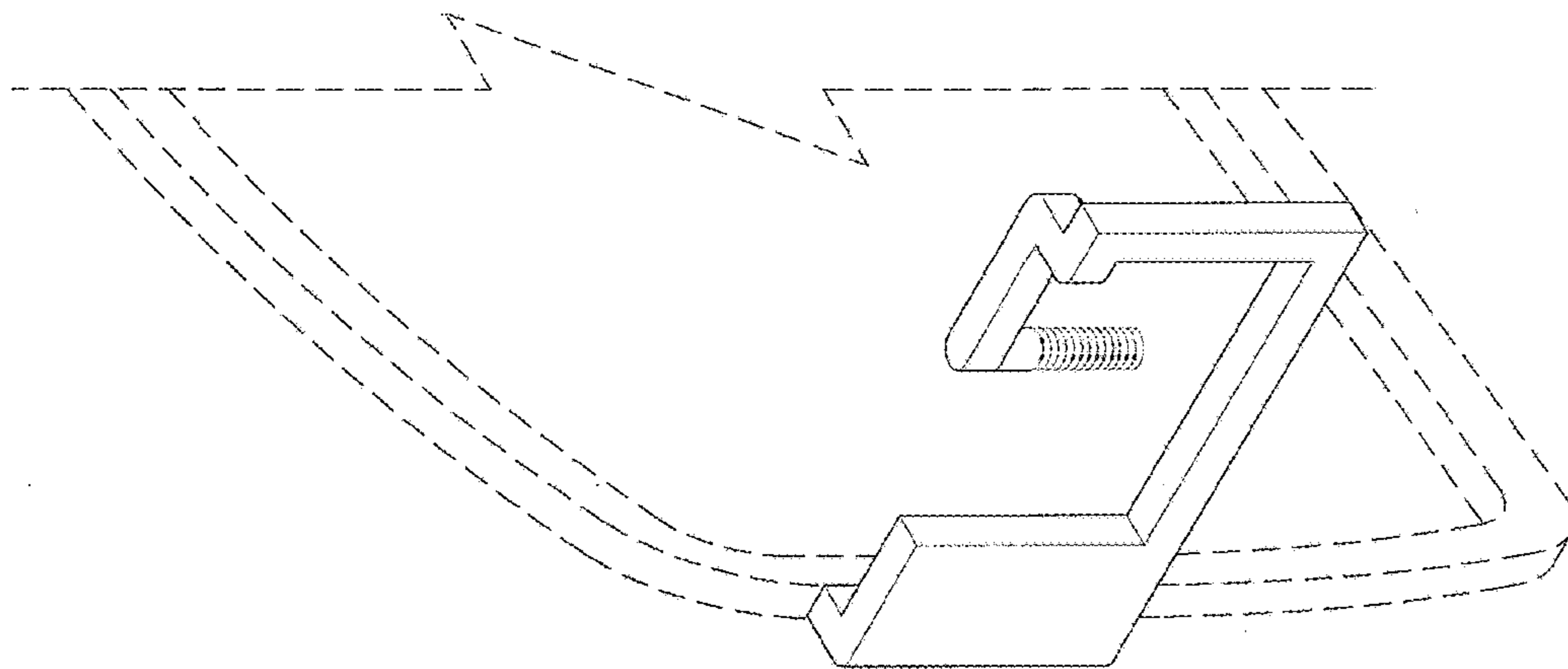


FIG.2

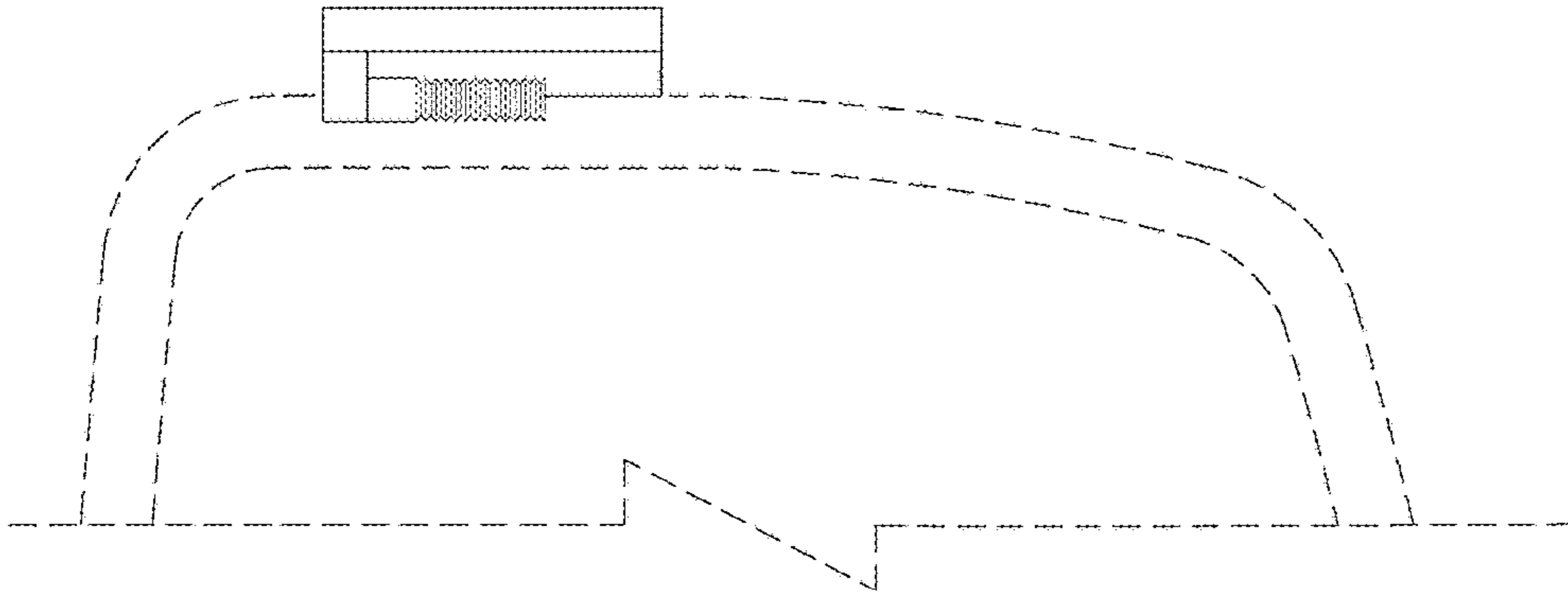


FIG.5

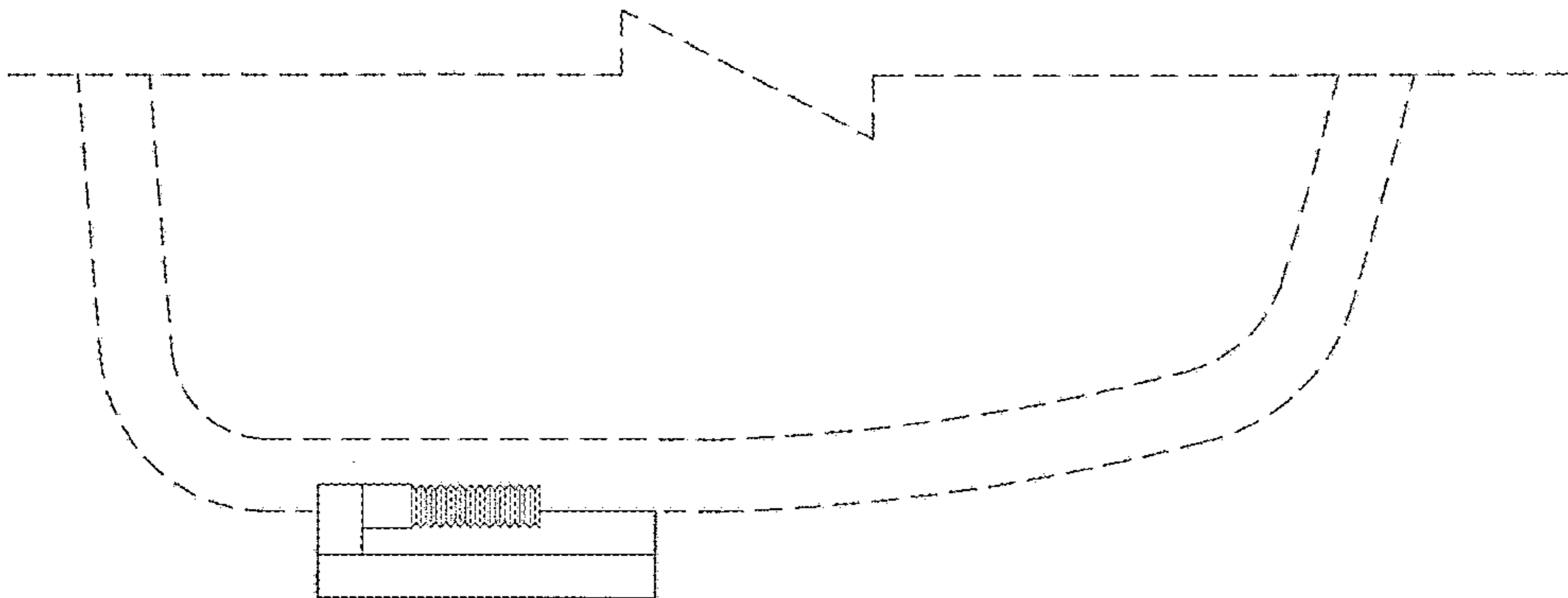


FIG.4

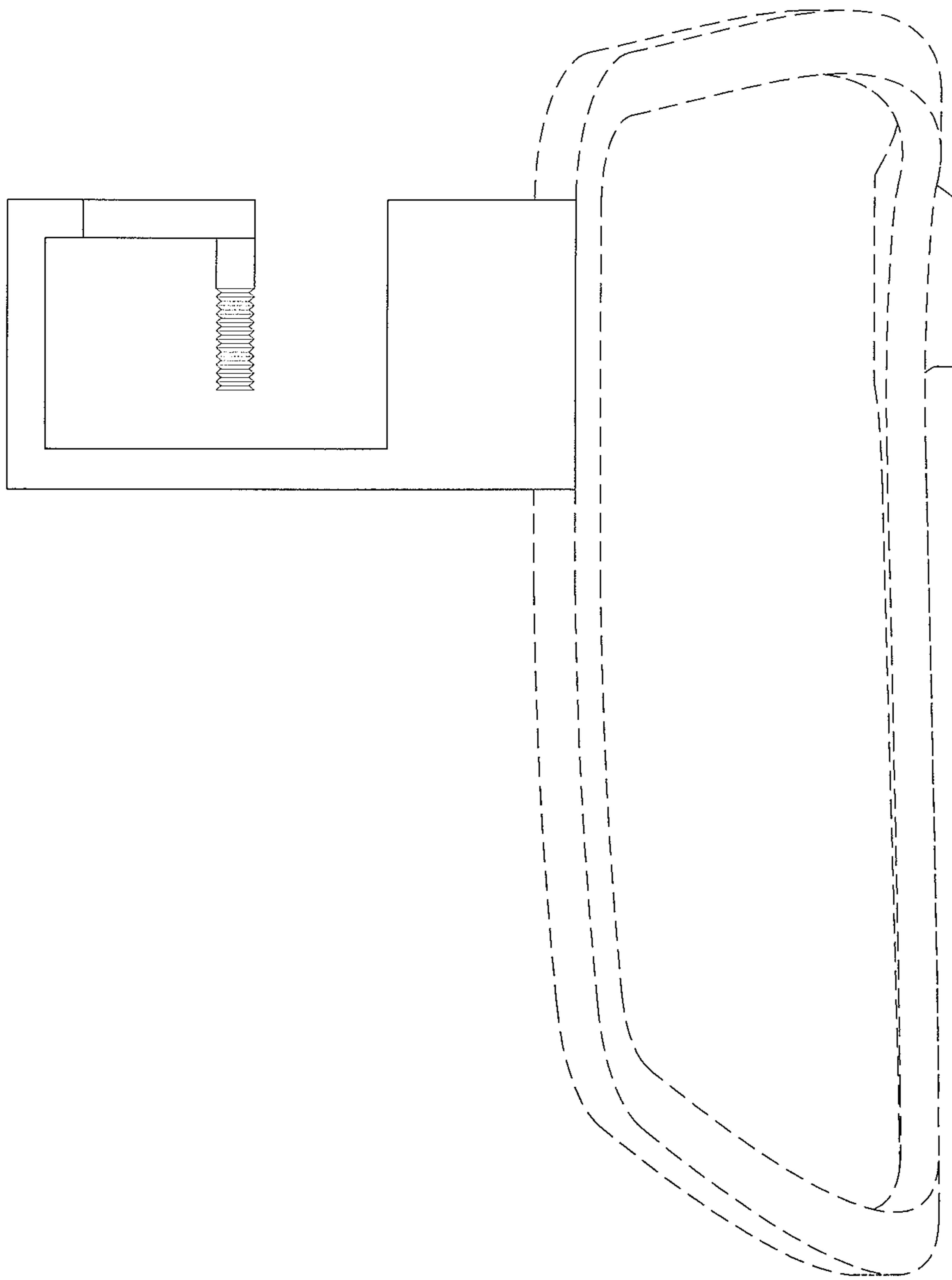


FIG.6

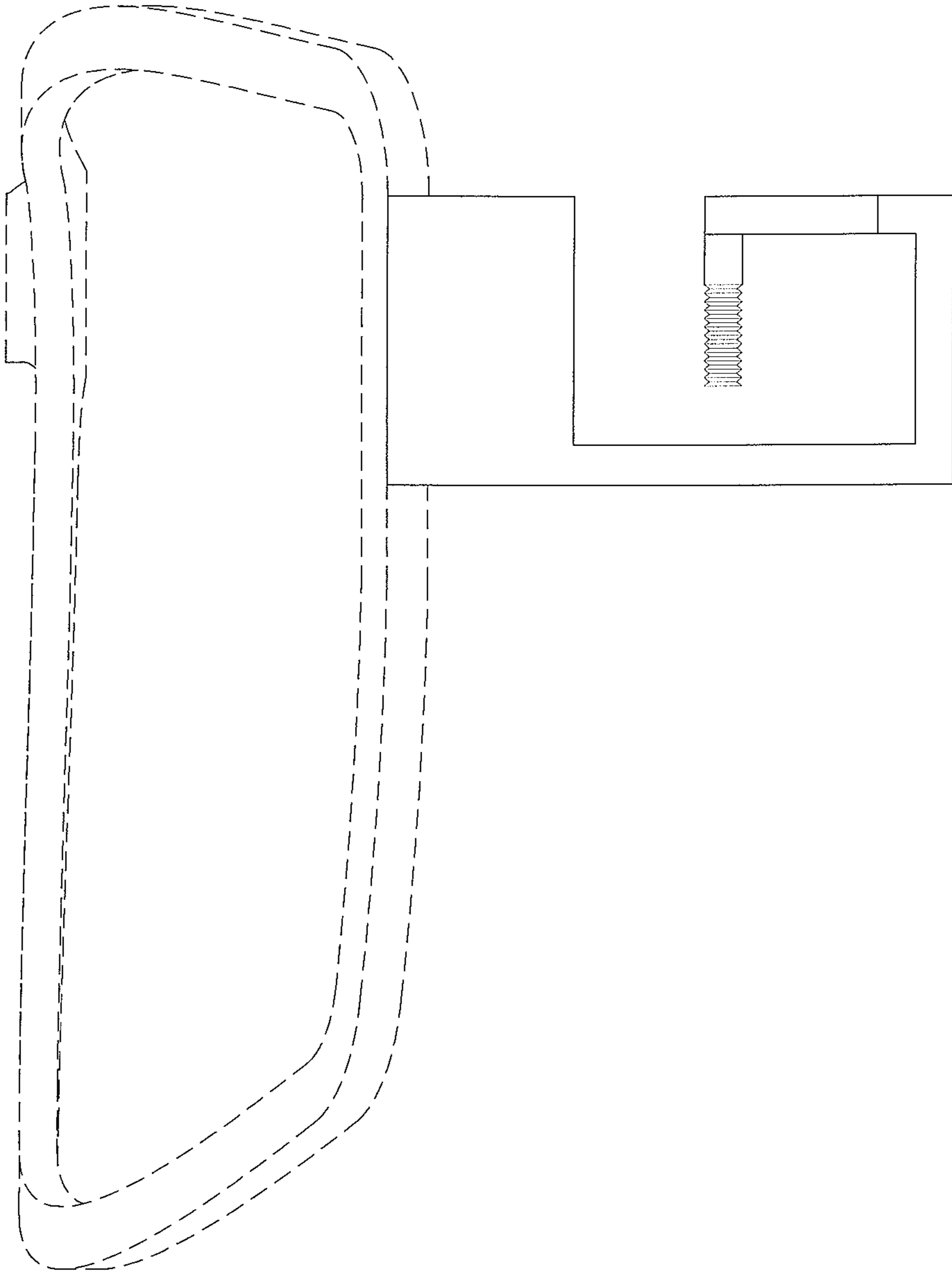


FIG.7

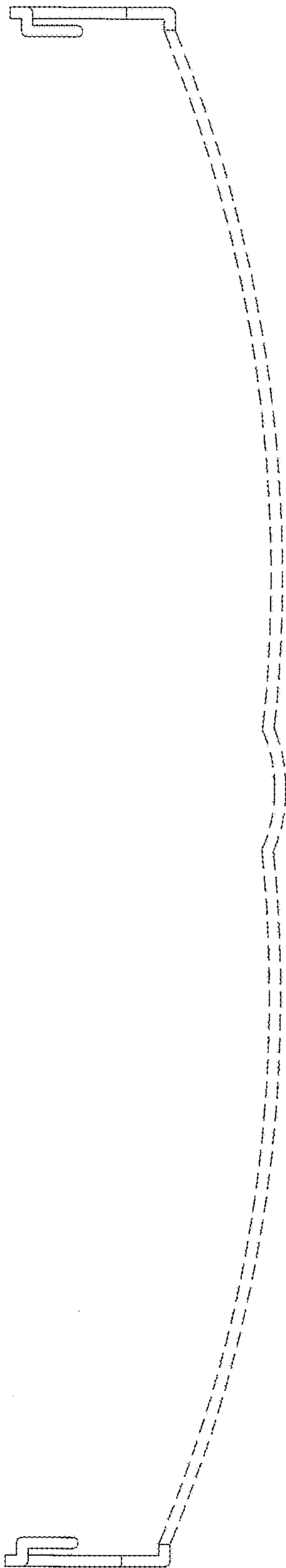


FIG. 8

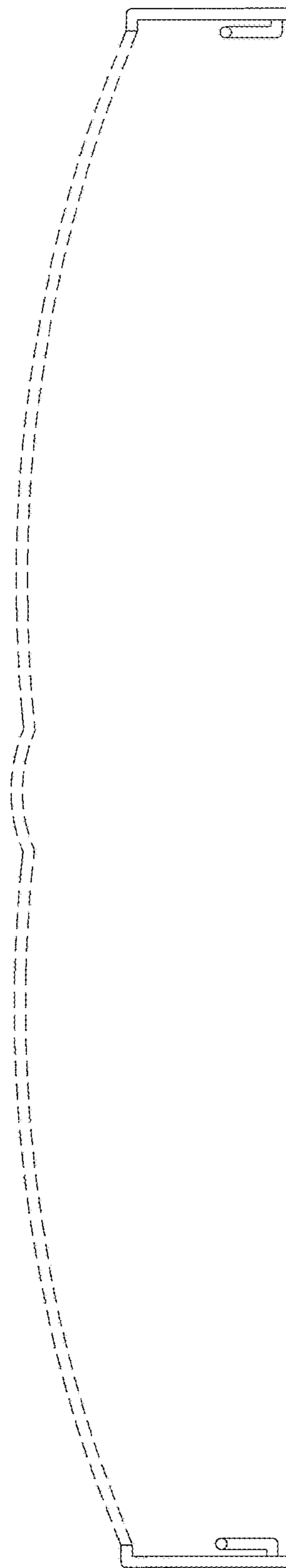


FIG. 9

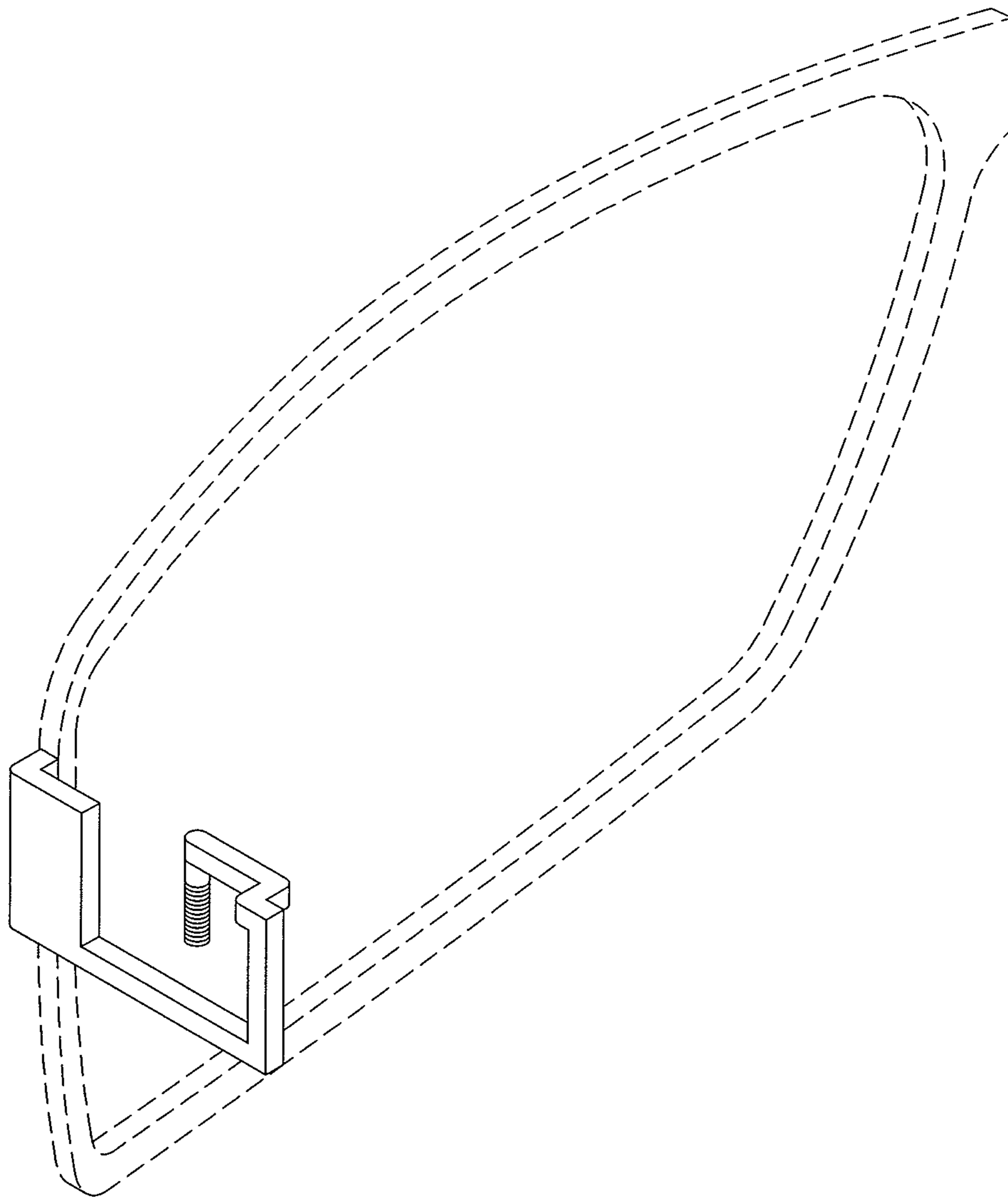


FIG.10