



US00D816150S

(12) **United States Design Patent** (10) **Patent No.:** **US D816,150 S**  
**Liao et al.** (45) **Date of Patent:** **\*\* Apr. 24, 2018**

(54) **GIMBAL WITH CAMERA**  
(71) Applicant: **SZ DJI Osmo Technology Co., Ltd.**,  
Shenzhen (CN)

D790,000 S \* 6/2017 Wang ..... D16/200  
D791,216 S \* 7/2017 Wang ..... D16/242  
D791,217 S \* 7/2017 Wang ..... D16/200

(Continued)

(72) Inventors: **Ran Liao**, Shenzhen (CN); **Hao Liu**,  
Shenzhen (CN); **Min Kim**, Shenzhen  
(CN); **Dengfeng Hu**, Shenzhen (CN);  
**Yun Zhao**, Shenzhen (CN)

FOREIGN PATENT DOCUMENTS

CN 303959937 \* 12/2016  
EM 003323625-0003 \* 7/2016

(73) Assignee: **SZ DJI Osmo Technology Co., Ltd.**,  
Shenzhen (CN)

OTHER PUBLICATIONS

DJI Mavic Pro Gimbal Camera Assembly, announced Nov. 14, 2017  
[online], site visited Nov. 15, 2017], Available from Internet URL:  
<[https://www.ebay.com/itm/DJI-Mavic-Pro-Gimbal-Camera-Assembly-4k-Video-Camera-and-Gimbal-Authentic-DJI-/182644275627?\\_trksid=p2141725.m3641.16368](https://www.ebay.com/itm/DJI-Mavic-Pro-Gimbal-Camera-Assembly-4k-Video-Camera-and-Gimbal-Authentic-DJI-/182644275627?_trksid=p2141725.m3641.16368)>.\*

(\*\*) Term: **15 Years**

*Primary Examiner* — Barbara Fox

(21) Appl. No.: **29/572,781**

*Assistant Examiner* — Mary C Ramirez

(22) Filed: **Jul. 29, 2016**

(51) **LOC (11) Cl.** ..... **16-05**

(74) *Attorney, Agent, or Firm* — Sterne, Kessler,  
Goldstein & Fox P.L.L.C.

(52) **U.S. Cl.**

USPC ..... **D16/242**

(58) **Field of Classification Search**

USPC ..... D16/200–220, 239, 235, 242, 250, 310,  
D16/136; D14/251, 138 C, 302, 129,  
D14/130, 496; D26/28, 36, 37, 46, 39;  
D29/104; D10/104.1, 50, 65, 74  
CPC ... G02B 7/02; G02B 7/04; G02B 7/14; G03B  
17/00; G03B 17/14; G03B 9/08; H04N  
5/2252; H04N 5/2253; H04N 5/2254;  
H04N 7/00; F16M 13/00

(57) **CLAIM**

The ornamental design for a gimbal with camera, as shown  
and described.

See application file for complete search history.

**DESCRIPTION**

FIG. 1 is a top, front, right perspective view of a gimbal with  
camera showing the claimed design;  
FIG. 2 is a bottom, rear, left perspective view thereof;  
FIG. 3 is a bottom, front, right perspective view thereof;  
FIG. 4 is a bottom, front, left perspective view thereof;  
FIG. 5 is a front view thereof;  
FIG. 6 is a rear view thereof;  
FIG. 7 is a right side view thereof;  
FIG. 8 is a left side view thereof;  
FIG. 9 is a bottom view thereof; and,  
FIG. 10 is a top view thereof.

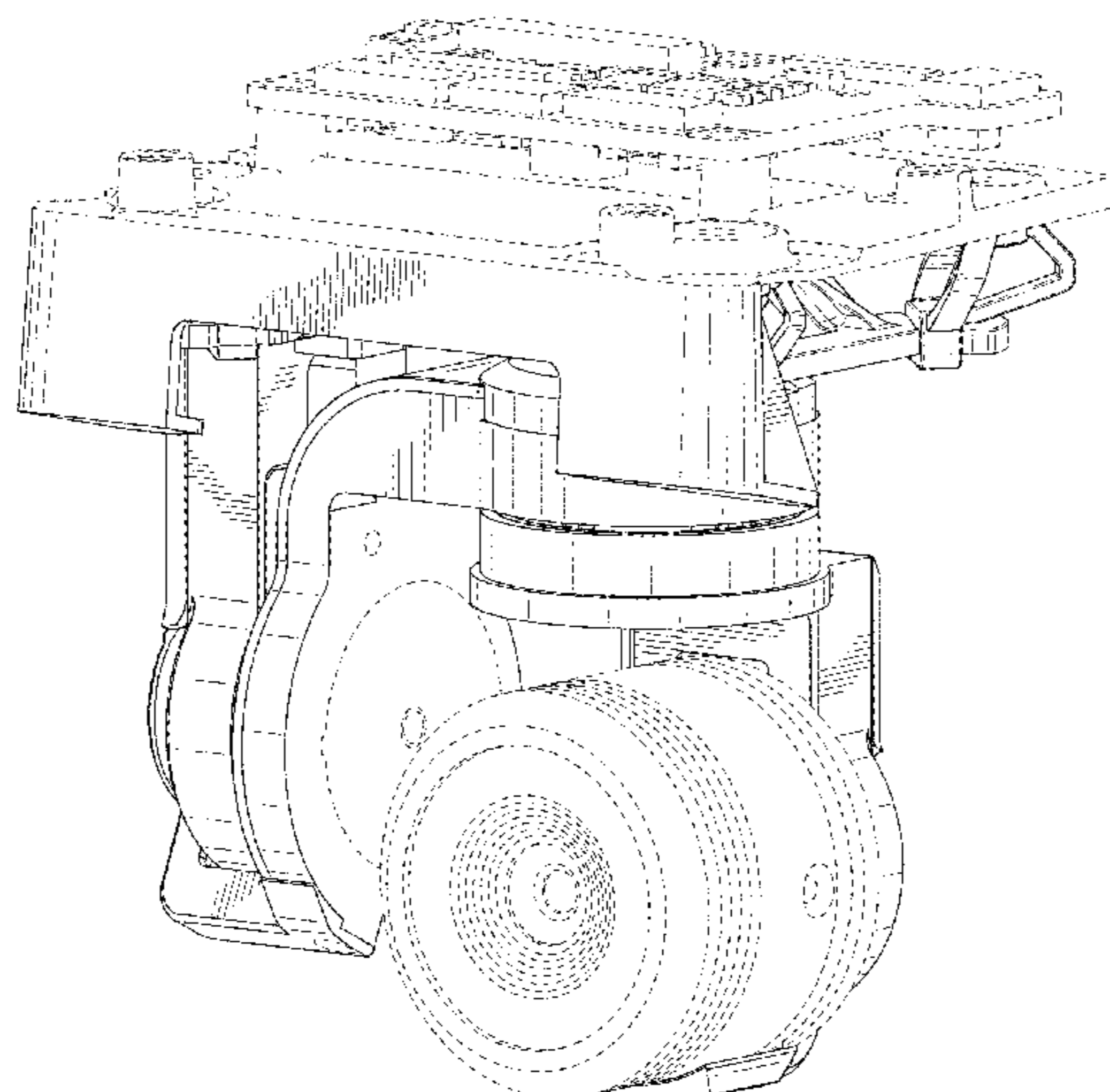
The broken lines in the figures show portions of the gimbal  
with camera that form no part of the claimed design.

(56) **References Cited**

U.S. PATENT DOCUMENTS

D576,633 S \* 9/2008 Muday ..... D14/452  
9,280,038 B1 \* 3/2016 Pan ..... G03B 17/561  
D754,242 S \* 4/2016 Wang ..... D16/242  
D771,733 S \* 11/2016 Wang ..... D16/242  
9,561,870 B2 \* 2/2017 Zhou ..... B64D 47/08  
D780,826 S \* 3/2017 Yan ..... D16/242  
D785,073 S \* 4/2017 Wang ..... D16/242  
D785,698 S \* 5/2017 Wang ..... D16/242  
9,663,245 B2 \* 5/2017 Zhao ..... B64D 47/08

**1 Claim, 10 Drawing Sheets**



(56)

**References Cited**

U.S. PATENT DOCUMENTS

D794,109 S \* 8/2017 Zheng ..... D16/242  
9,743,058 B2 \* 8/2017 Wang ..... H04N 9/73  
D798,941 S \* 10/2017 Zheng ..... D16/242  
D799,581 S \* 10/2017 Lin ..... D16/242  
9,781,312 B2 \* 10/2017 Pan ..... H04N 5/2251  
9,789,976 B2 \* 10/2017 Zhou ..... B64D 47/08  
2010/0128122 A1 \* 5/2010 Wright ..... G03B 17/00  
348/143  
2016/0150134 A1 \* 5/2016 Katoh ..... G01C 21/18  
348/373  
2017/0045807 A1 \* 2/2017 Ye ..... G03B 17/561  
2017/0089513 A1 \* 3/2017 Pan ..... F16M 13/022  
2017/0174362 A1 \* 6/2017 Zhao ..... B64D 47/08

\* cited by examiner

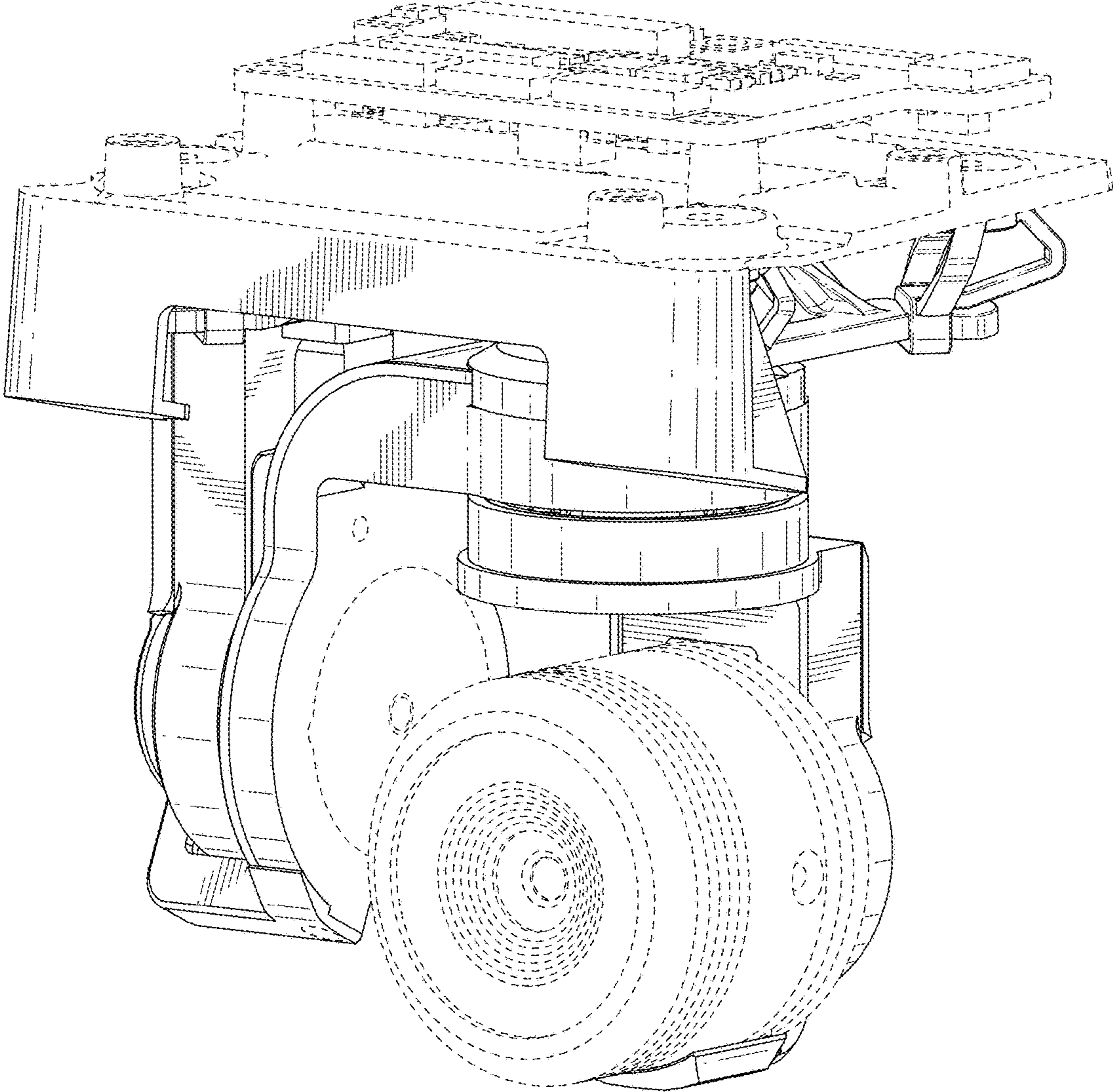


FIG. 1

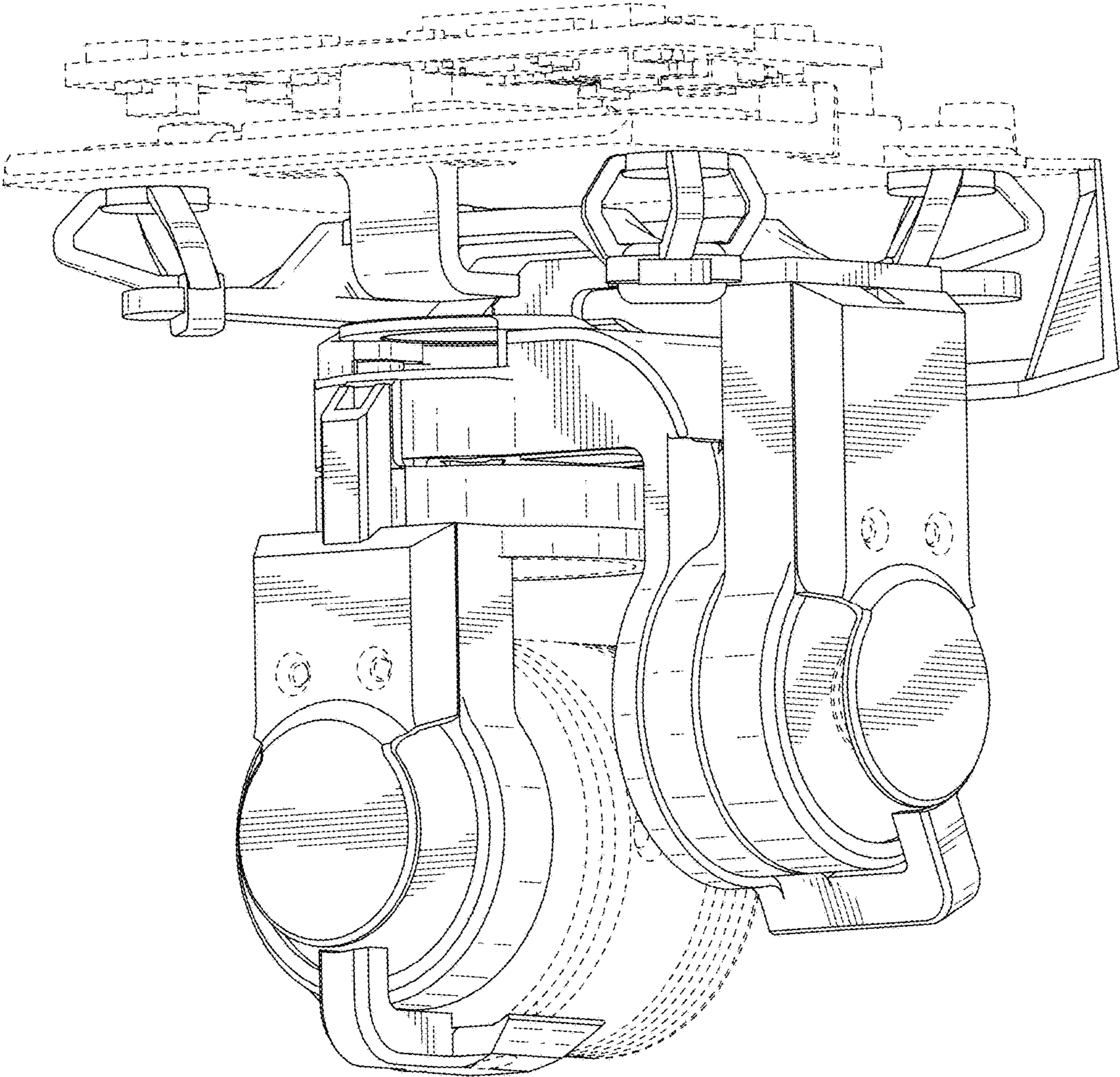


FIG. 2

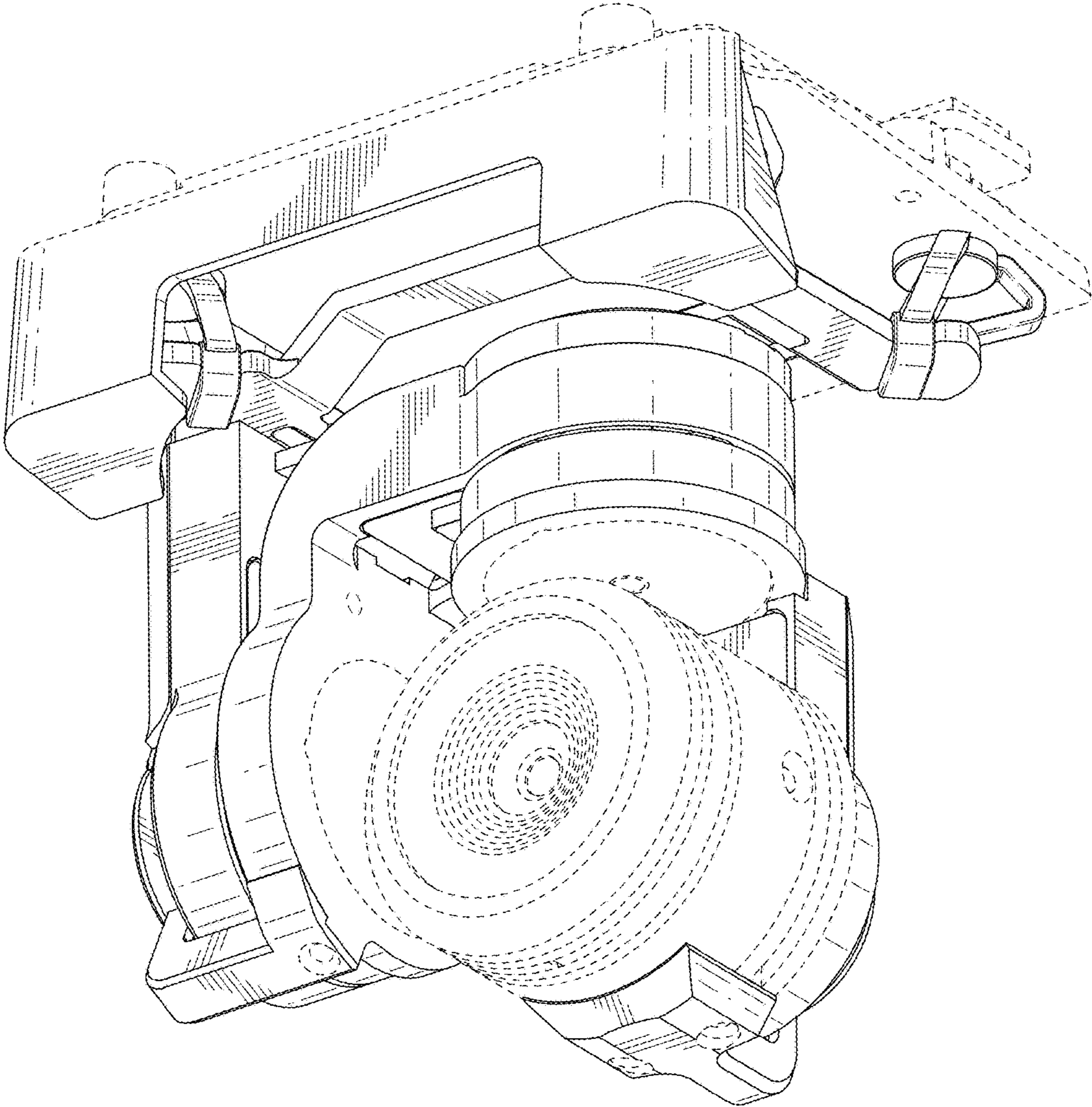


FIG. 3

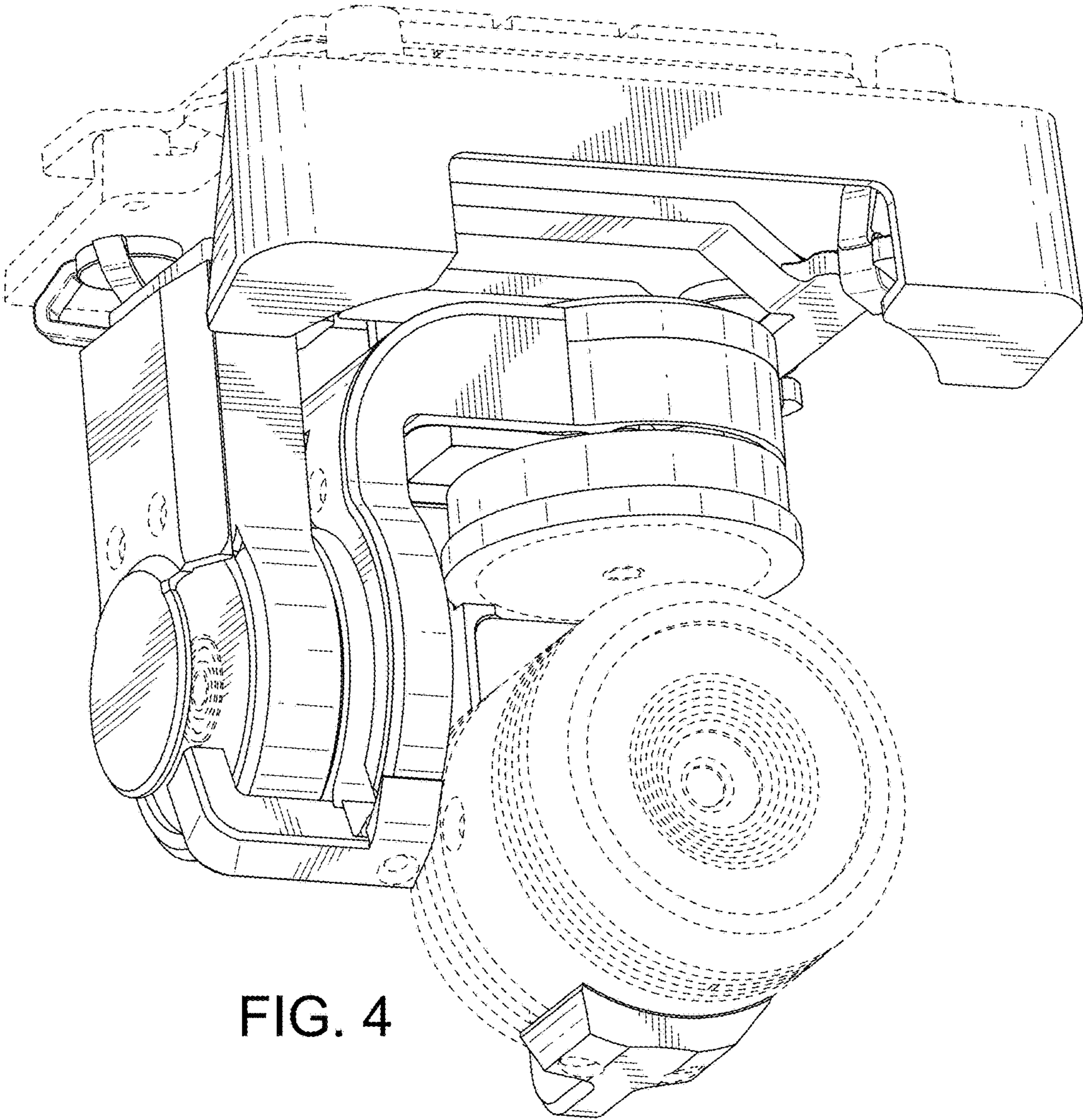


FIG. 4

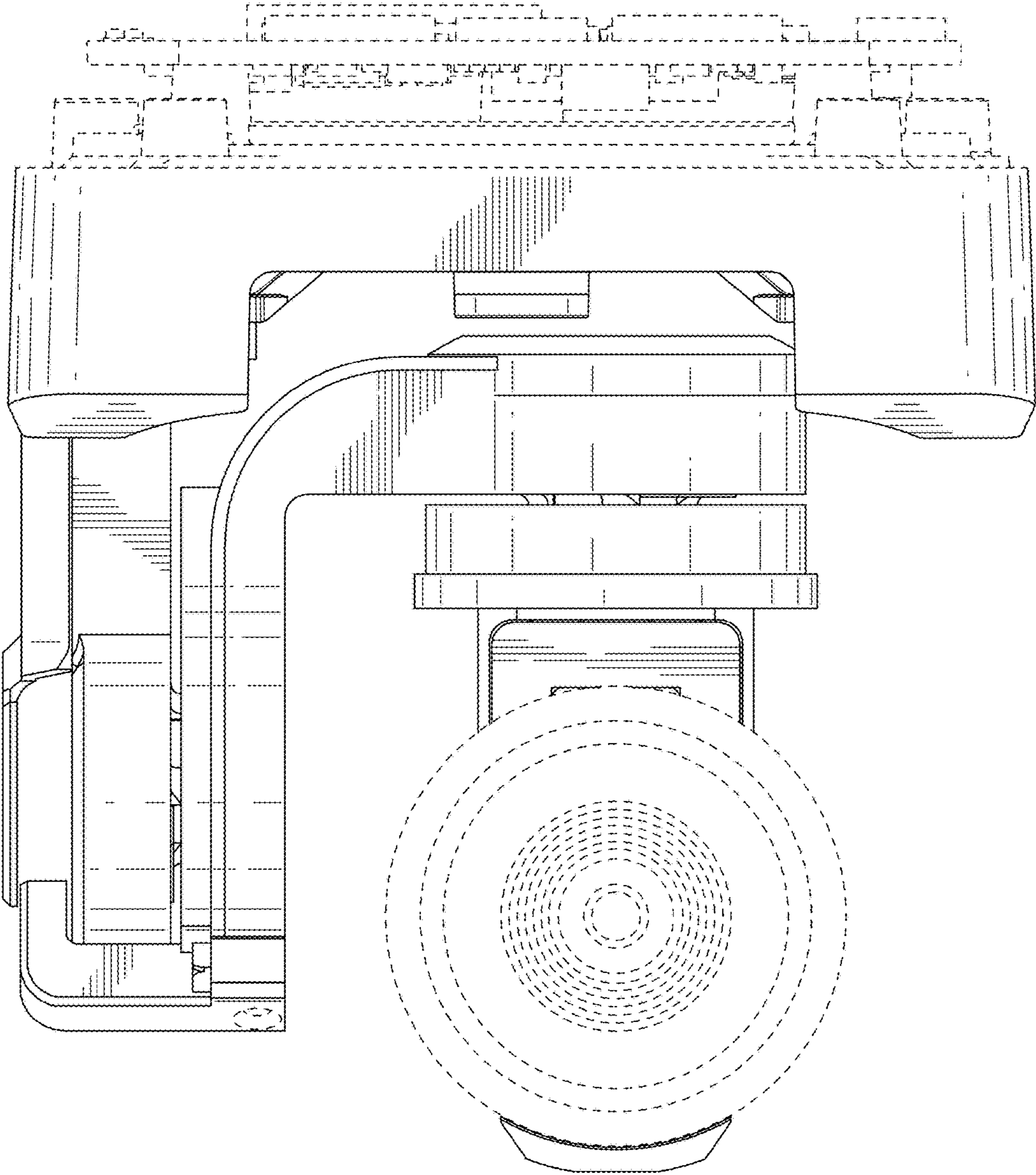


FIG. 5

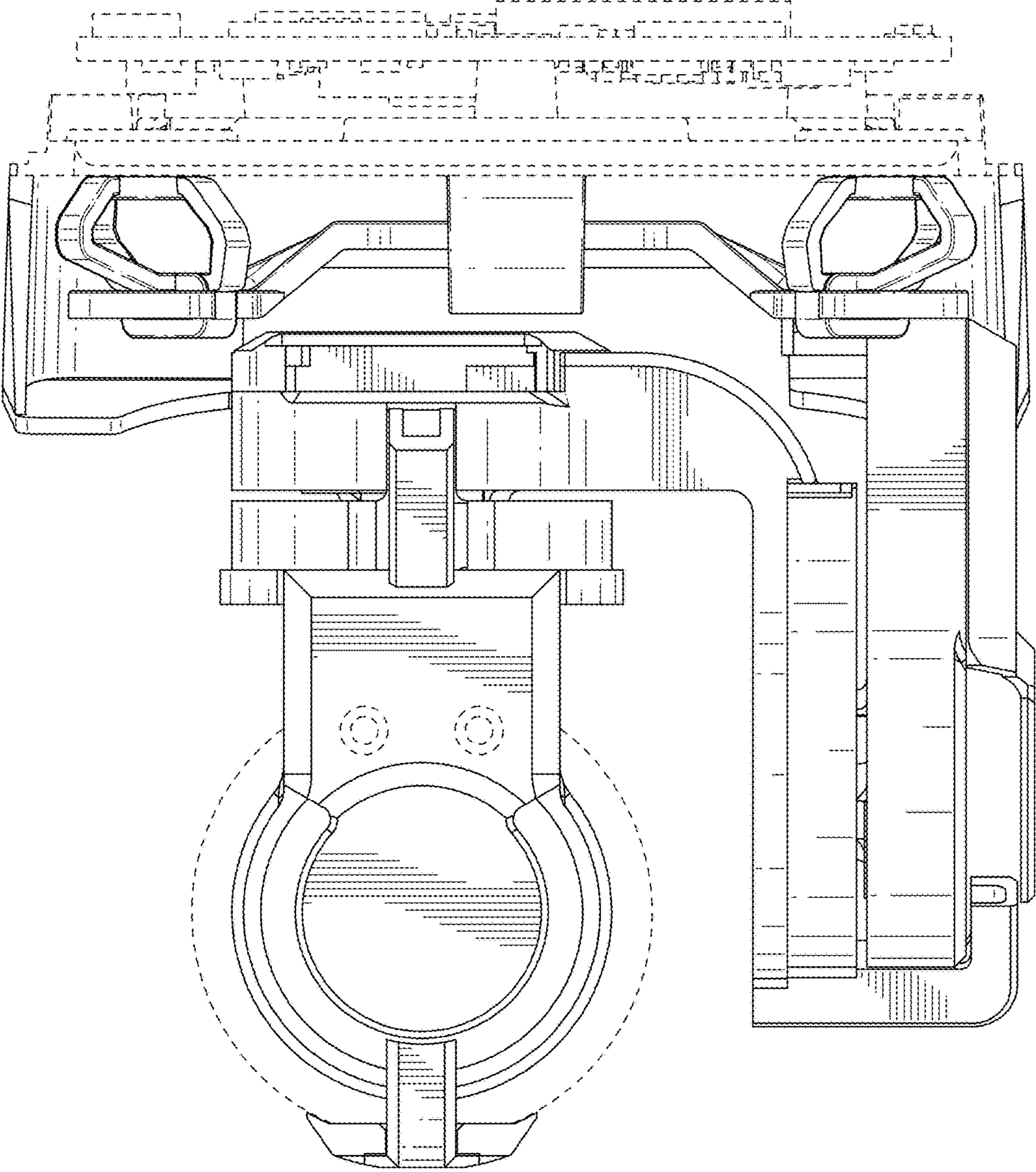


FIG. 6



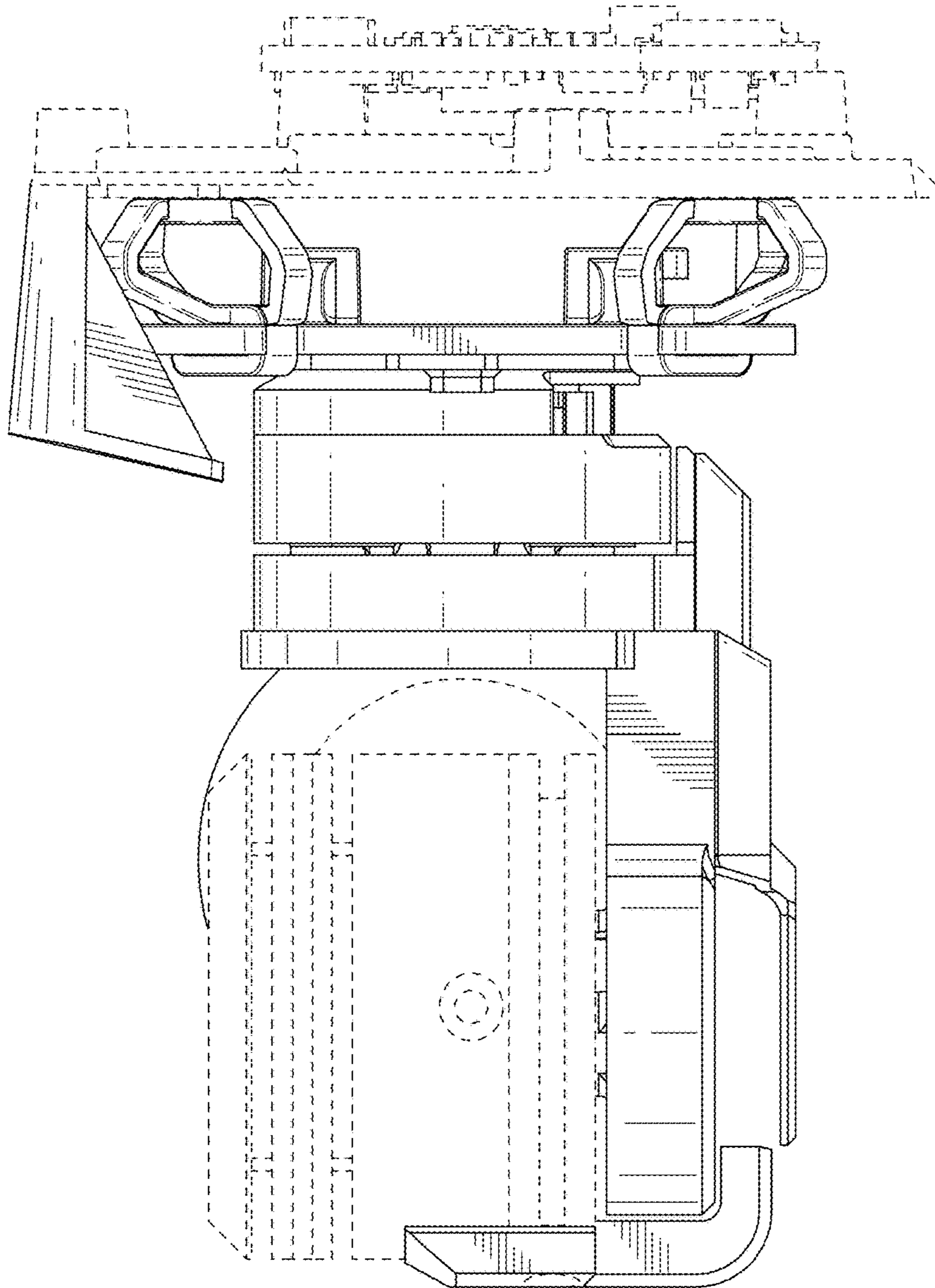


FIG. 7

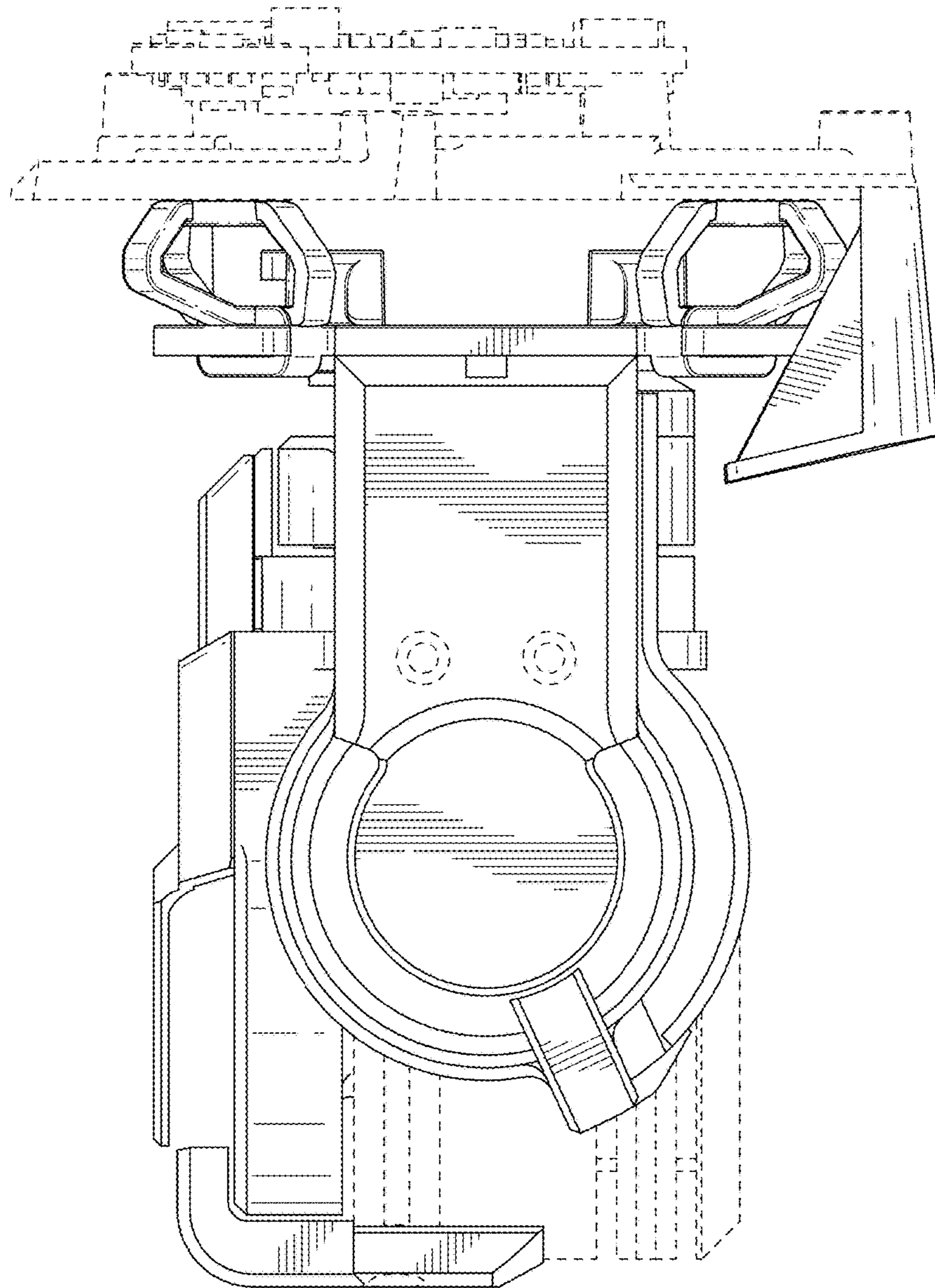


FIG. 8

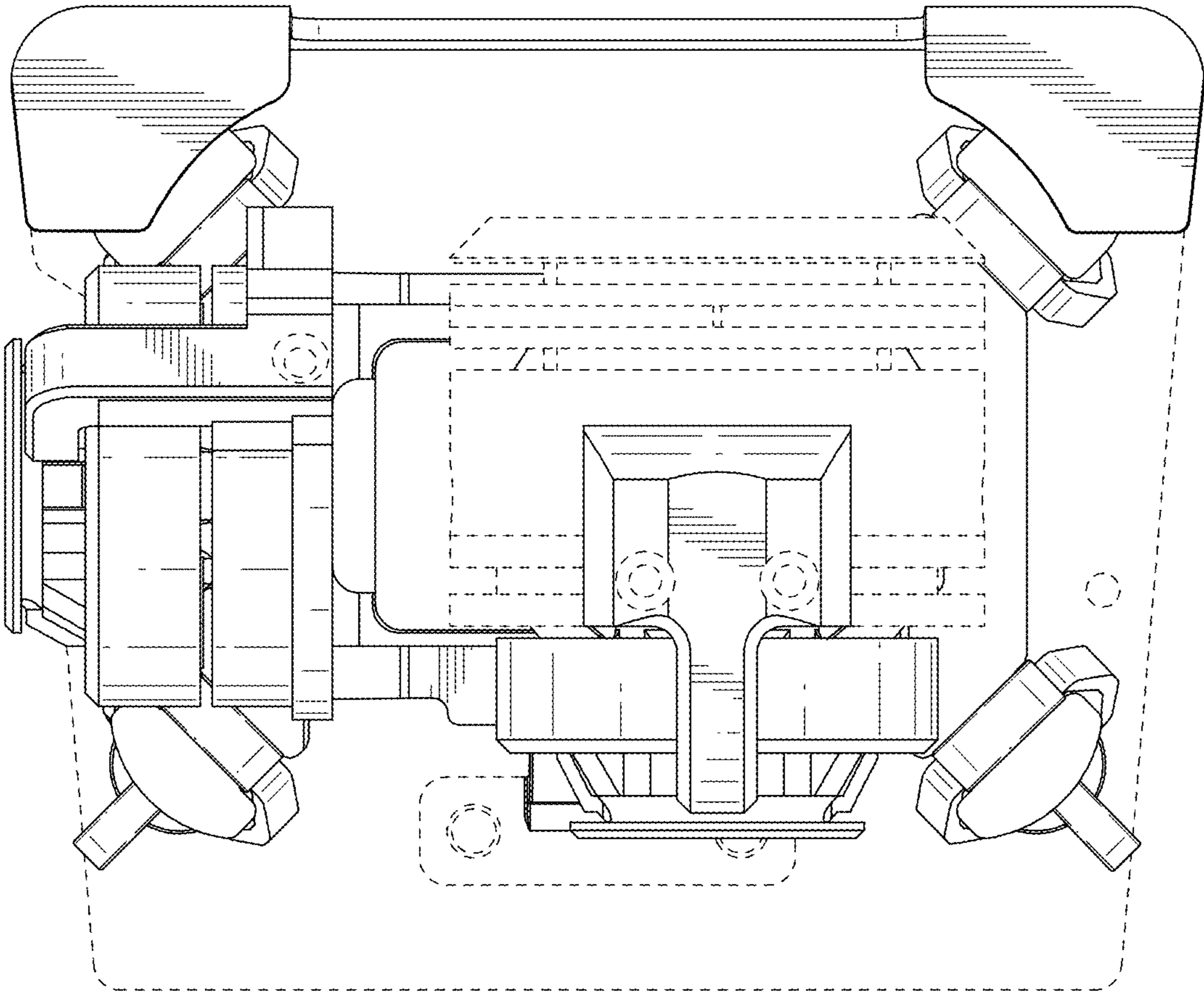


FIG. 9

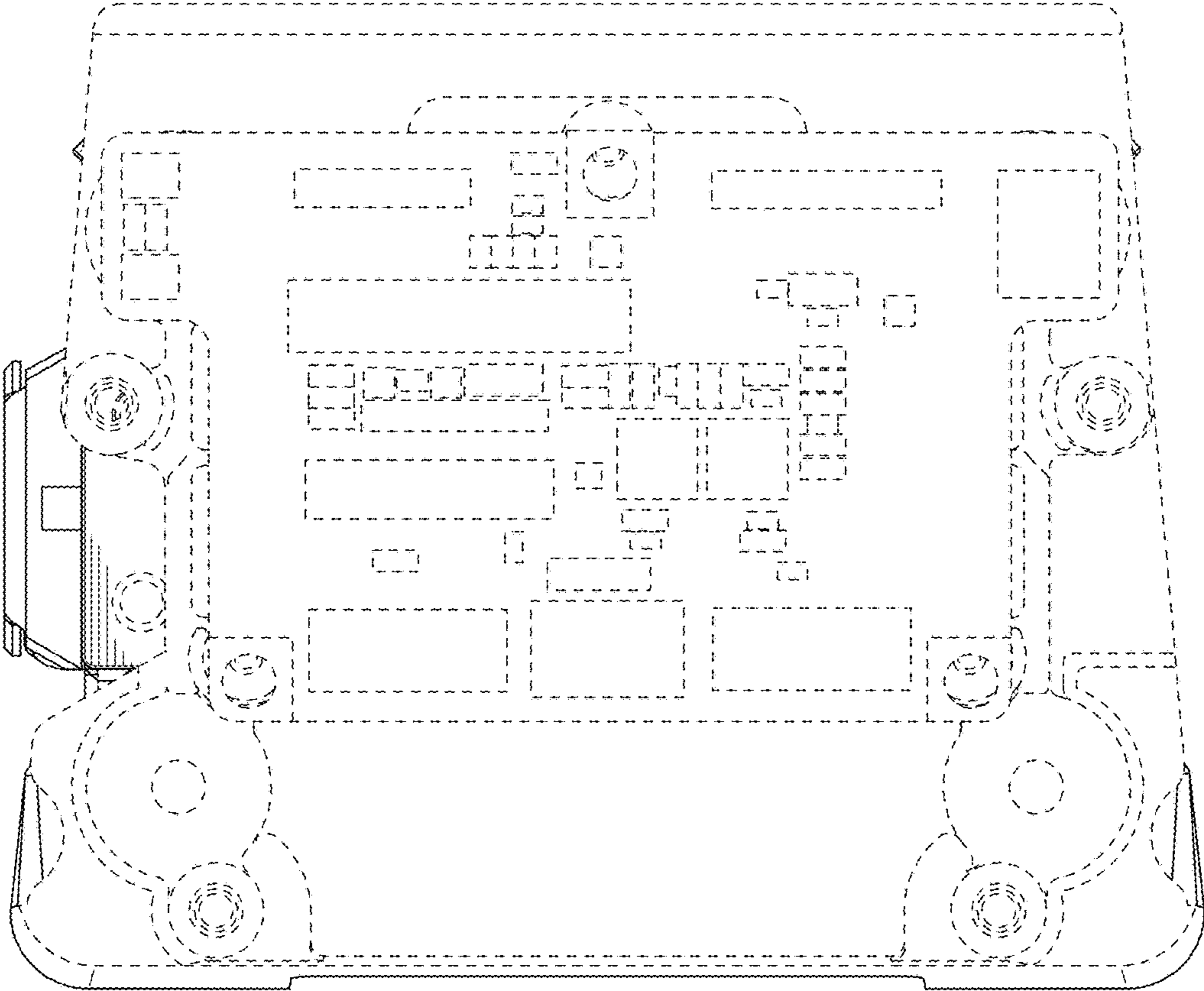


FIG. 10